



US00D972408S

(12) **United States Design Patent**
Snedden et al.

(10) **Patent No.:** **US D972,408 S**

(45) **Date of Patent:** **** Dec. 13, 2022**

(54) **CONTAINER**

(71) Applicants: **Direct Pack, Inc.**, Azusa, CA (US);
Tanimura & Antle Fresh Foods, Inc.,
Salinas, CA (US)

(72) Inventors: **Craig Snedden**, La Canada Flintridge,
CA (US); **John Michael Pessagno**,
Salinas, CA (US); **Kevin-Dirk Pesirla**
Closas, Ontario, CA (US); **Gandhi B.**
Sifuentes, West Covina, CA (US);
Jennifer Kalich, Aromas, CA (US)

(73) Assignees: **Direct Pack, Inc.**, Azusa, CA (US);
Tanimura & Antle Fresh Foods, Inc.,
Salinas, CA (US)

(**) Term: **15 Years**

(21) Appl. No.: **29/764,001**

(22) Filed: **Dec. 28, 2020**

(51) **LOC (13) Cl.** **09-03**

(52) **U.S. Cl.**
USPC **D9/420**

(58) **Field of Classification Search**
USPC D9/420, 425, 761, 426, 424, 421,
D9/414-419; D7/553.2
CPC B65D 85/34; B65D 43/0204
See application file for complete search history.

(56) **References Cited**

U.S. PATENT DOCUMENTS

D672,231 S	*	12/2012	Snedden	D9/424
D698,666 S	*	2/2014	Sifuentes	D9/425
D723,392 S	*	3/2015	Sifuentes	D9/425
D739,231 S	*	9/2015	Snedden	D9/425
D740,615 S	*	10/2015	Shoshan	D7/553.2

D750,480 S	*	3/2016	Snedden	D9/426
9,511,901 B2	*	12/2016	Lam	B65D 85/34
D779,934 S	*	2/2017	Parikh	D9/425
9,580,234 B2	*	2/2017	Lam	B65D 85/34
D798,706 S	*	10/2017	Astorga	D9/426
D807,167 S	*	1/2018	Joergensen	D9/425
D823,106 S	*	7/2018	Lam	D9/426
D837,646 S	*	1/2019	Mazzuca	D9/418
D837,647 S	*	1/2019	Tamshe	D9/425
D886,587 S	*	6/2020	Brown	D9/425
D896,070 S	*	9/2020	Guill	D9/424
D910,436 S	*	2/2021	Krueger	D9/425
D910,463 S	*	2/2021	Shoshan	D9/761
D911,163 S	*	2/2021	Krueger	D9/425
2017/0253390 A1	*	9/2017	Snedden	B65D 43/0204

* cited by examiner

Primary Examiner — Rhea Shields

(74) *Attorney, Agent, or Firm* — Frost Brown Todd LLC

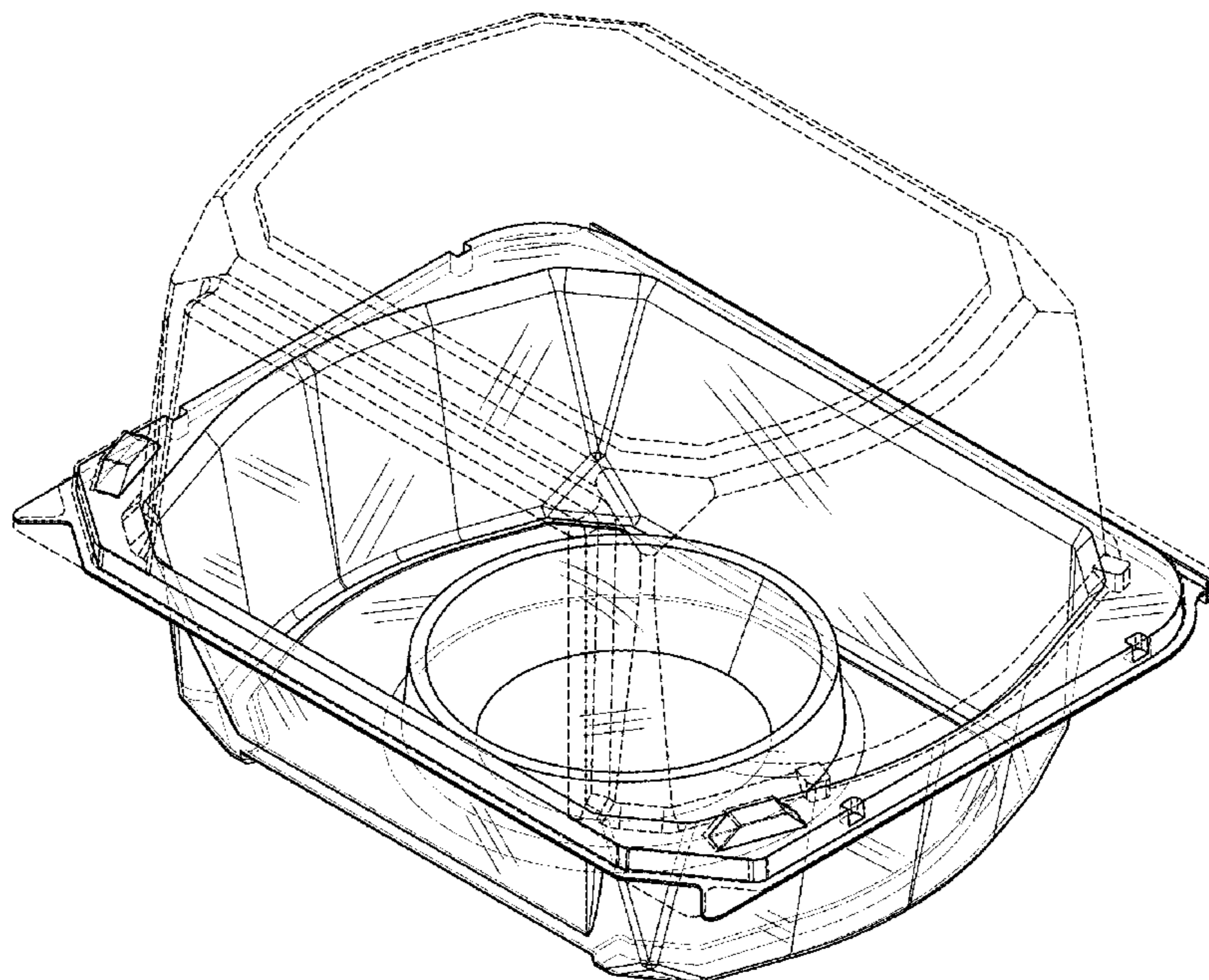
(57) **CLAIM**

The ornamental design for a container, as shown and described.

DESCRIPTION

FIG. 1 is a top, front isometric view of a container, showing our new design;
FIG. 2 is a top, rear isometric view thereof;
FIG. 3 is a front elevational view thereof;
FIG. 4 is a rear elevational view thereof;
FIG. 5 is a right elevational view thereof, the left elevational view being a mirror image thereof;
FIG. 6 is a top plan view thereof; and,
FIG. 7 is a bottom plan view thereof.
In the drawings, the broken lines are for the purpose of illustrating portions of the container that form no part of the claimed design.

1 Claim, 7 Drawing Sheets



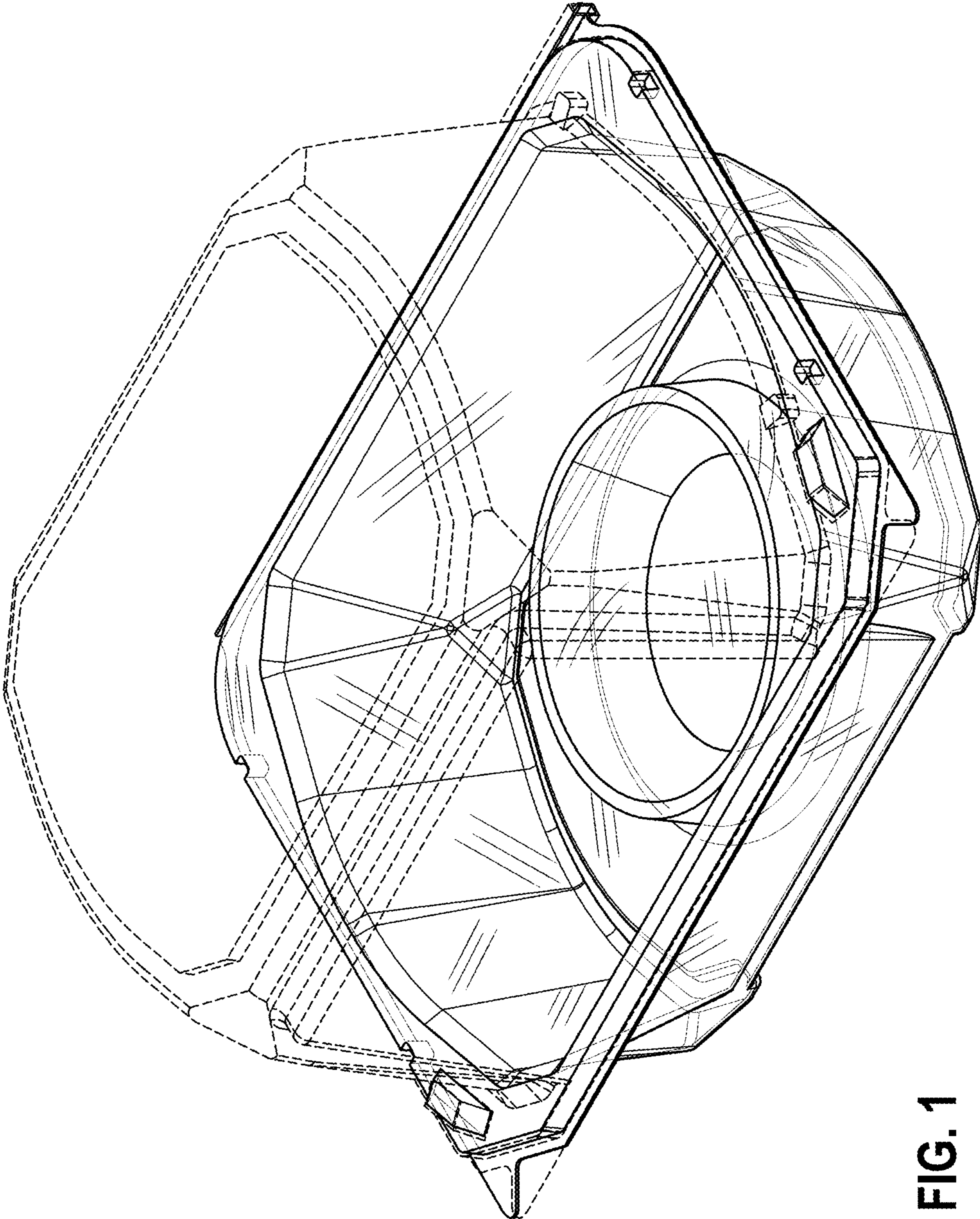


FIG. 1

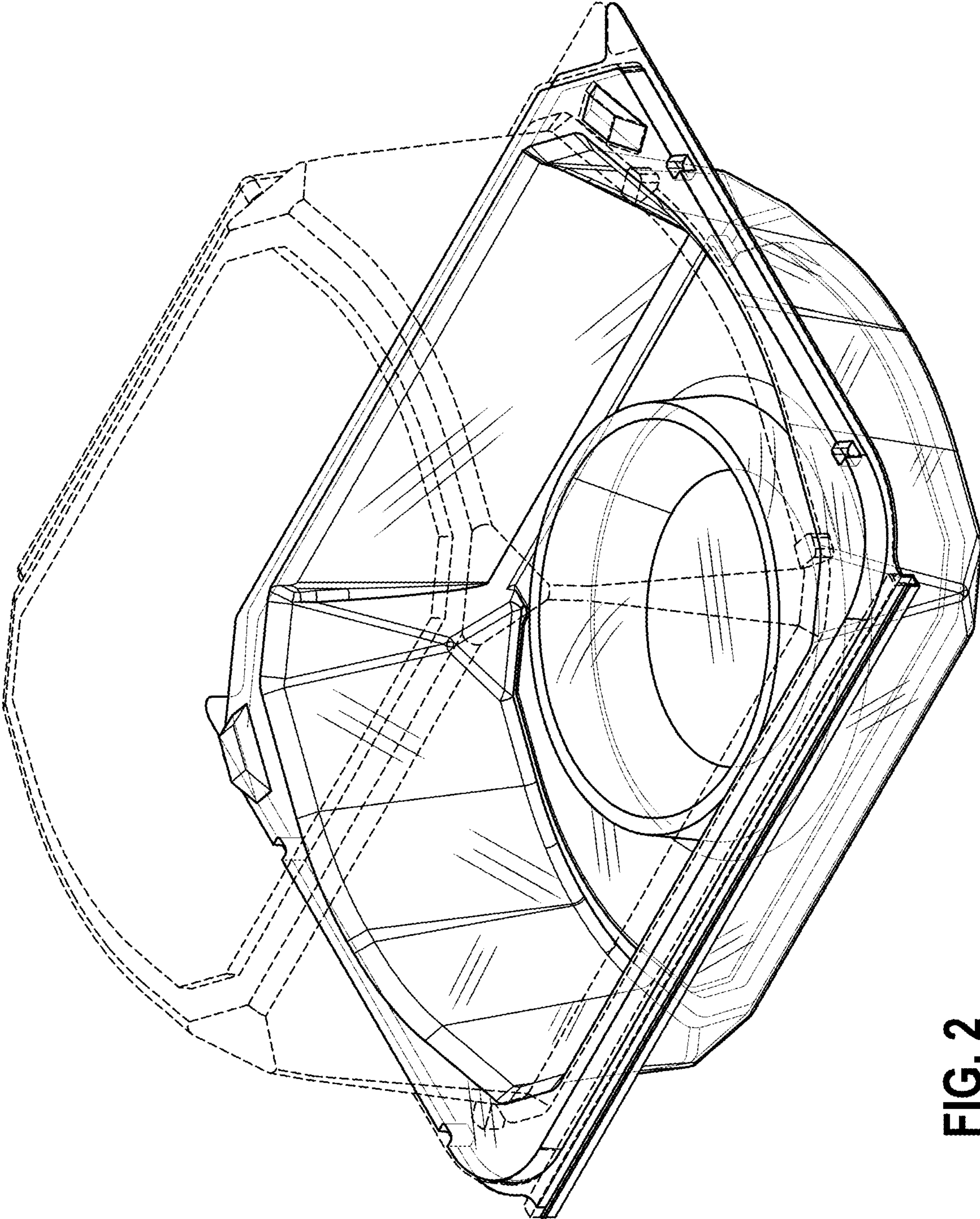


FIG. 2

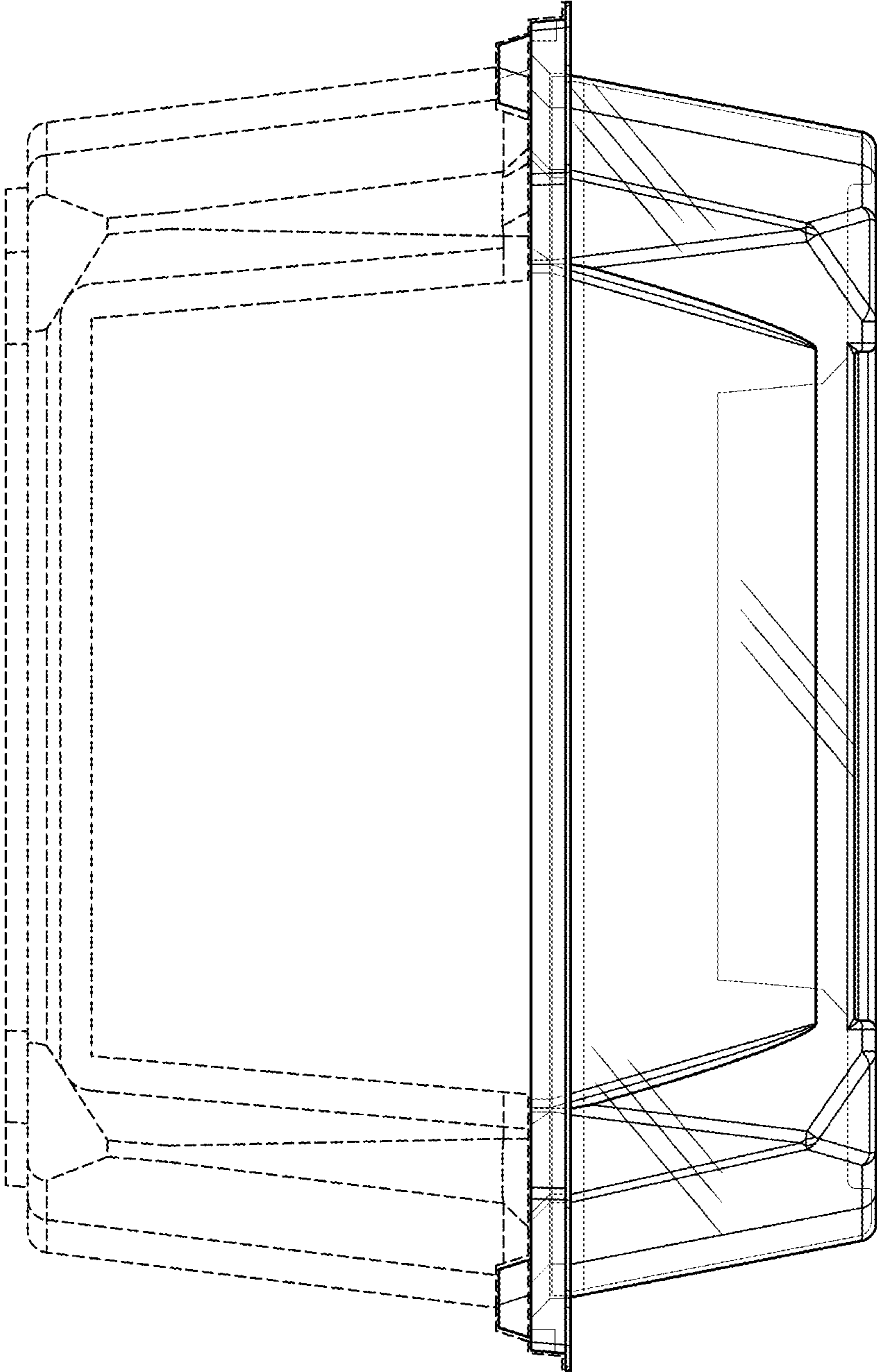


FIG. 3

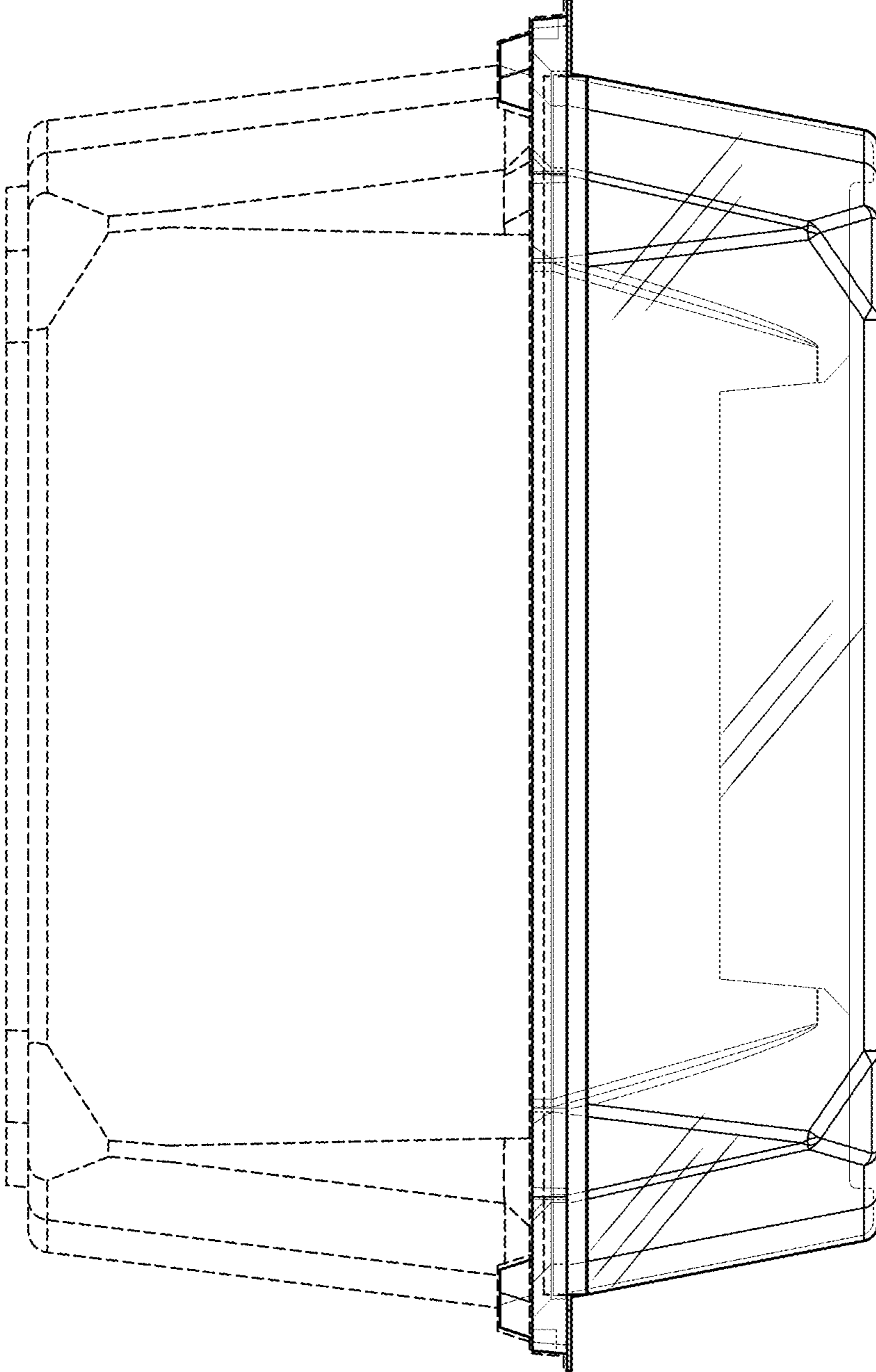


FIG. 4

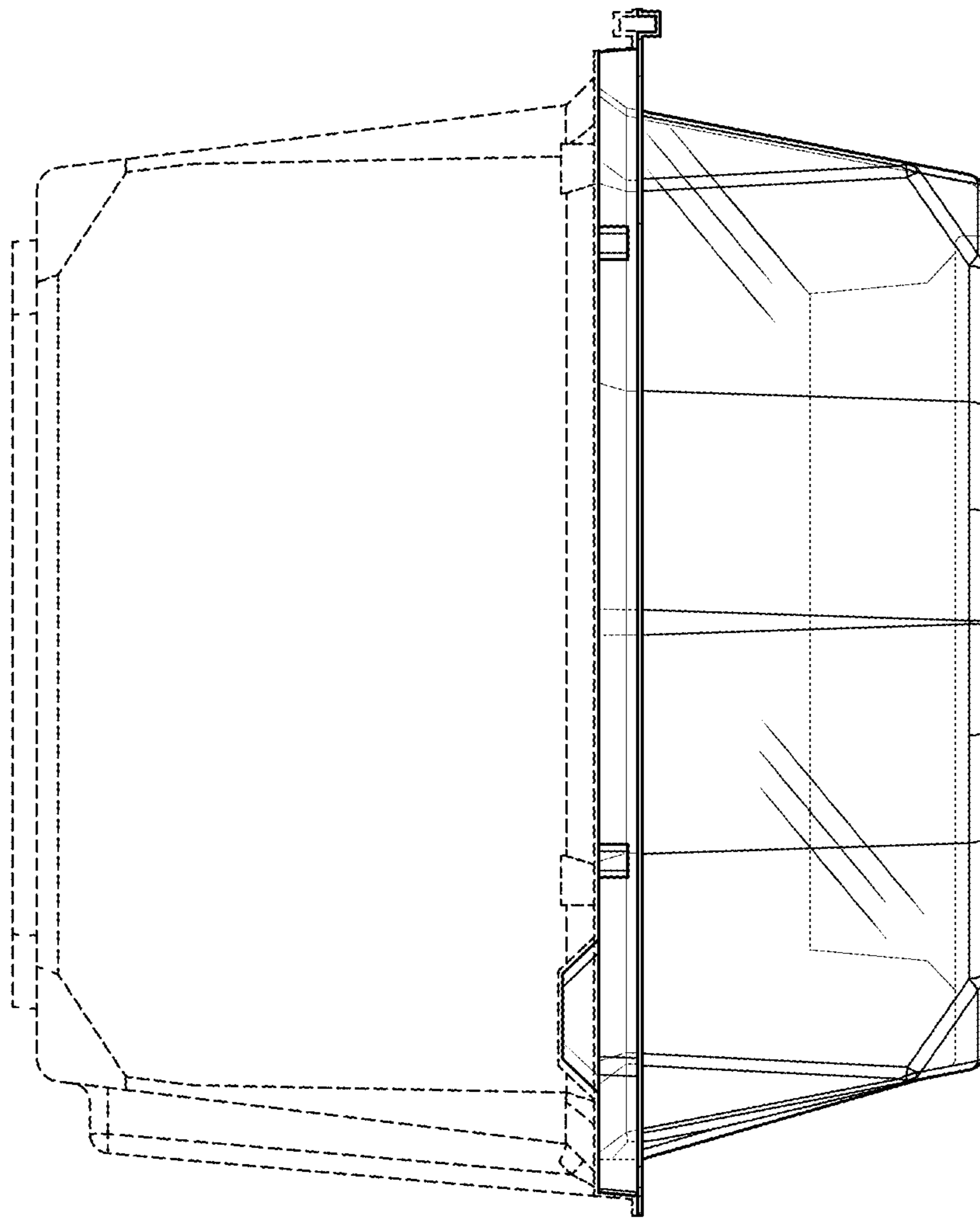


FIG. 5

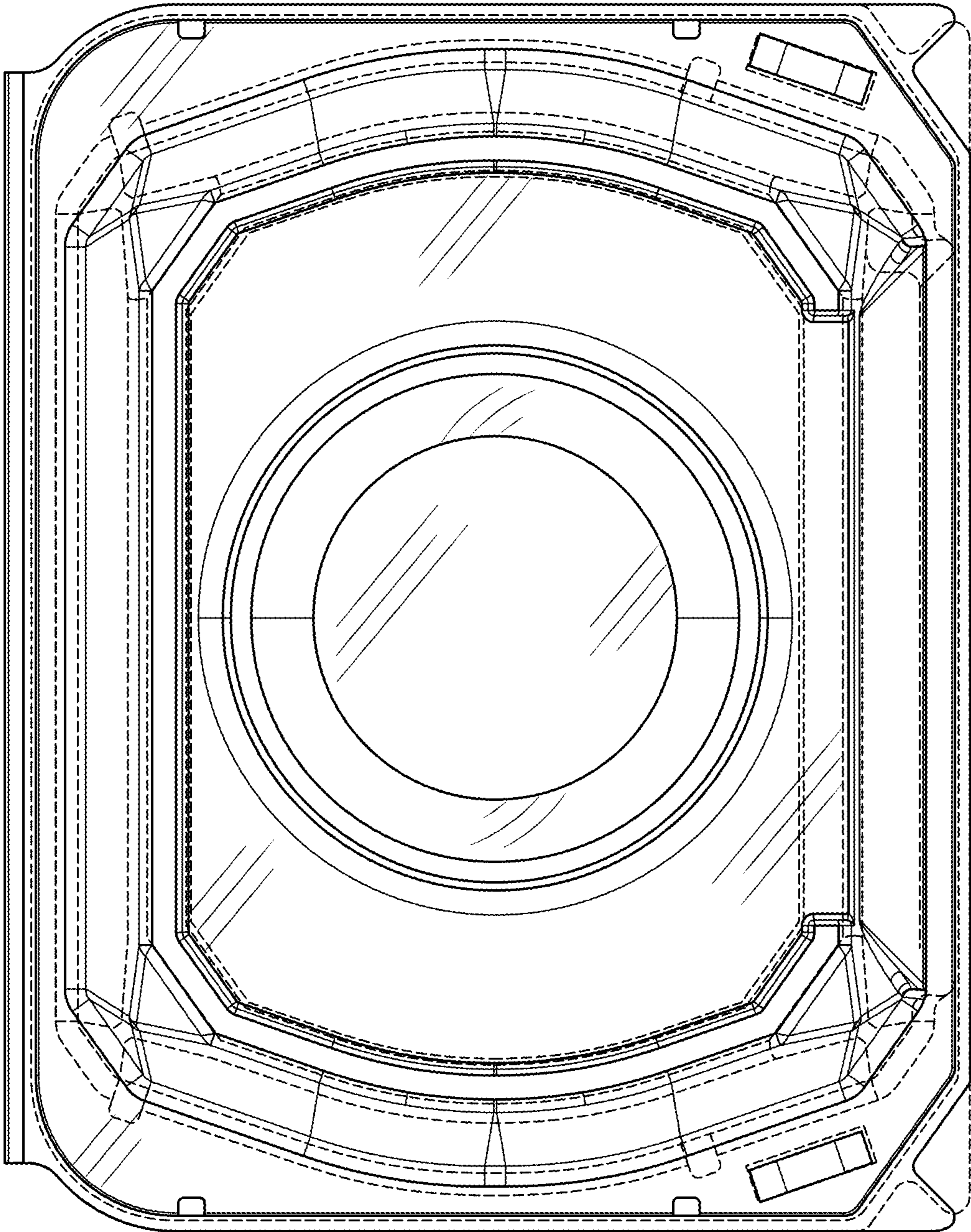


FIG. 6

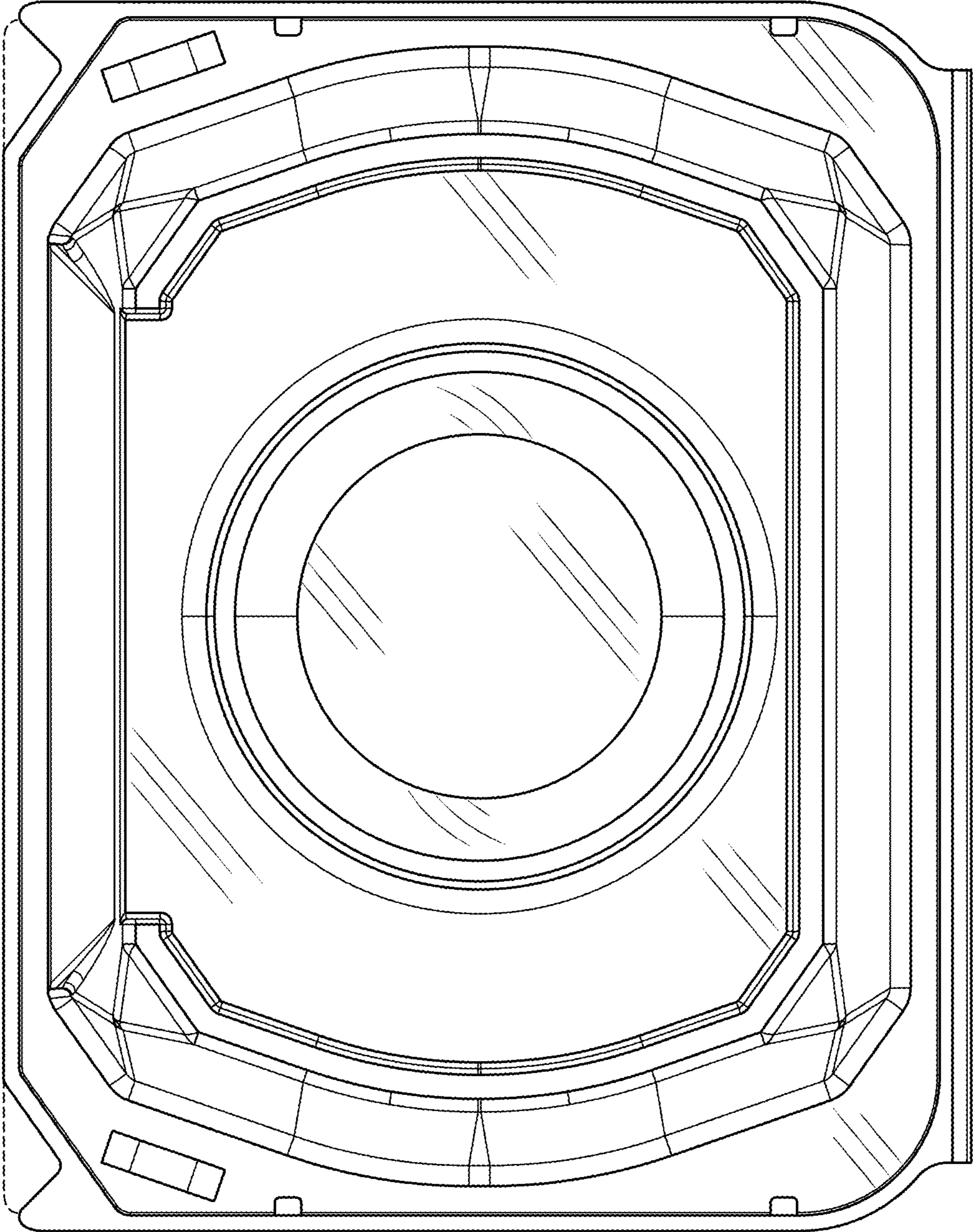


FIG. 7