



US00D972405S

(12) **United States Design Patent** (10) **Patent No.:** **US D972,405 S**
Pack (45) **Date of Patent:** **** Dec. 13, 2022**

(54) **PHOTO BOX**
(71) Applicant: **Chari Marie Pack**, Orem, UT (US)
(72) Inventor: **Chari Marie Pack**, Orem, UT (US)
(**) Term: **15 Years**
(21) Appl. No.: **29/774,031**
(22) Filed: **Mar. 12, 2021**
(51) **LOC (13) Cl.** **09-03**
(52) **U.S. Cl.**
USPC **D9/414; D6/300**
(58) **Field of Classification Search**
USPC D6/300, 301, 302, 303, 304, 307, 308,
D6/309, 310, 311, 312, 313, 314, 672,
D6/675, 682.1; D3/201; D9/414, 416,
D9/423, 432; D19/26
CPC A47G 1/06; A47G 1/0605; A47G 1/0633;
A47G 1/0638; A47G 1/08; A47G 1/10;
A47G 1/14; A47G 1/141; A47G 1/142;
A47G 1/16; A47G 1/1606; A47G 1/1613;
A47G 2001/0672; A47G 2001/0688;
A47G 2001/0694; A47G 2001/148; B65D
1/00; B65D 27/00
See application file for complete search history.

2009/0071052 A1* 3/2009 Craig A47G 1/065
40/791
2017/0135504 A1* 5/2017 Jones A47G 1/06
2017/0318929 A1* 11/2017 Glass B65D 27/00

FOREIGN PATENT DOCUMENTS

EM 006287579-0001 * 9/2021
EM 009015506-0001 * 5/2022

OTHER PUBLICATIONS

Persnickety Box [online], [site visited Sep. 22, 2022]. Available from internet, URL: <<https://www.persnicketybox.com/>> (Year: 2022).*
Persnickety Box Founder Chari Pack—YouTube [online], [site visited Sep. 22, 2022]. Available from internet, URL: <<https://www.youtube.com/watch?v=vLgavuitE-o>> (Year: 2020).*

* cited by examiner

Primary Examiner — Cynthia Ramirez
Assistant Examiner — Xavier Marti-Santos
(74) *Attorney, Agent, or Firm* — Steve Hassid; Partners Law Group Inc.

(57) **CLAIM**

The ornamental design for a photo box, as shown and described.

(56) **References Cited**

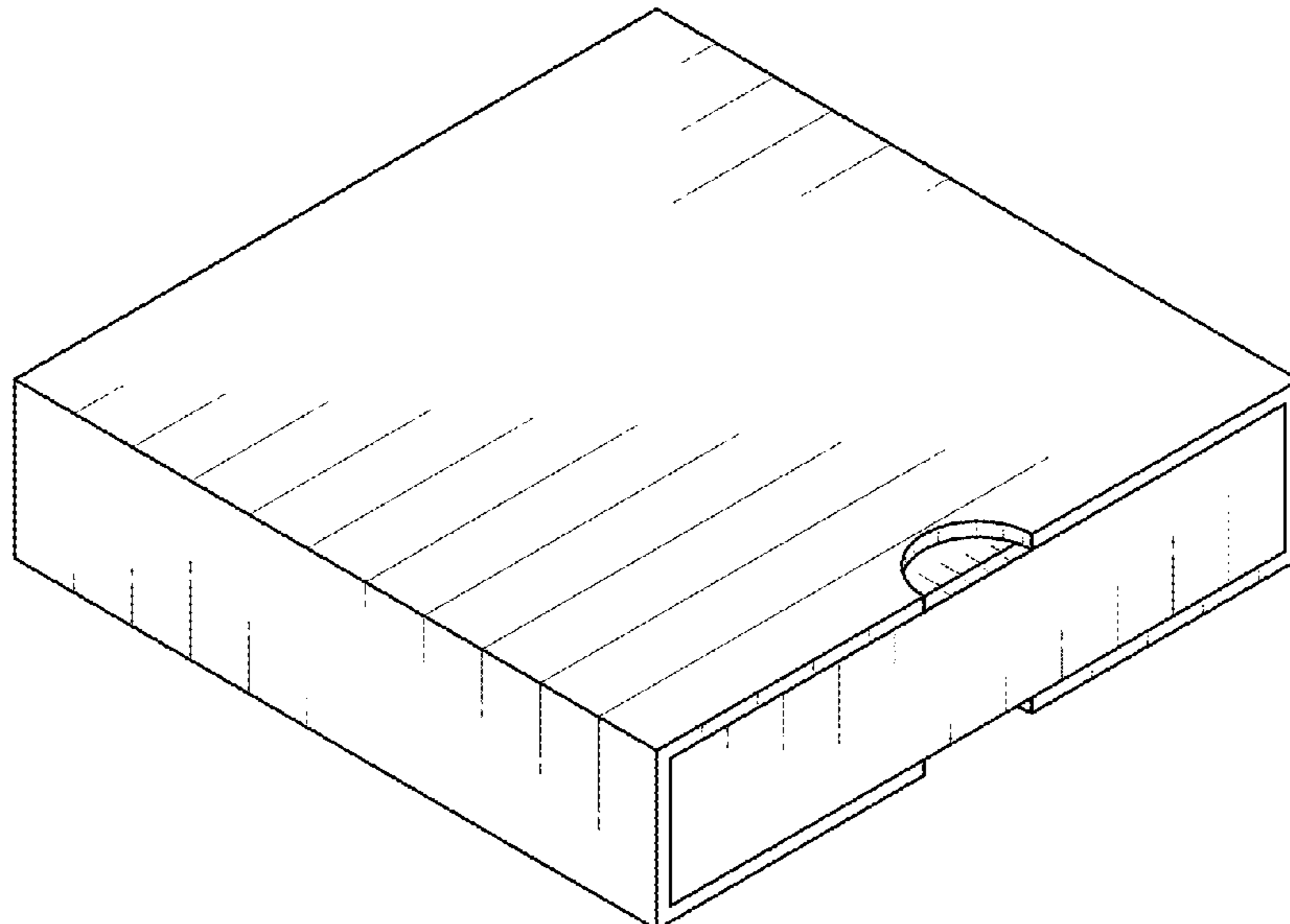
U.S. PATENT DOCUMENTS

D383,064 S * 9/1997 Tsukikawa D9/432
D398,527 S * 9/1998 Maceachern D9/420
D511,093 S * 11/2005 Keeton D9/433
D543,364 S * 5/2007 Fleischer D6/300
D764,911 S * 8/2016 Glass D9/432
D779,834 S * 2/2017 Ryan D6/300
D809,381 S * 2/2018 DeLaGrange D9/432
D889,967 S * 7/2020 Glass D9/456
D957,935 S * 7/2022 Cholewa D9/432
2008/0187688 A1* 8/2008 Gunther A47G 1/0616
428/13

DESCRIPTION

FIG. 1 is a left, top perspective view of the assembled box and box insert showing my new design.
FIG. 2 is a left top exploded perspective view thereof.
FIG. 3 is a front elevation view thereof.
FIG. 4 is a rear elevation view thereof.
FIG. 5 is a left side elevation view thereof.
FIG. 6 is a right side elevation view thereof.
FIG. 7 is a top plan view thereof; and,
FIG. 8 is a bottom plan view thereof.

1 Claim, 4 Drawing Sheets



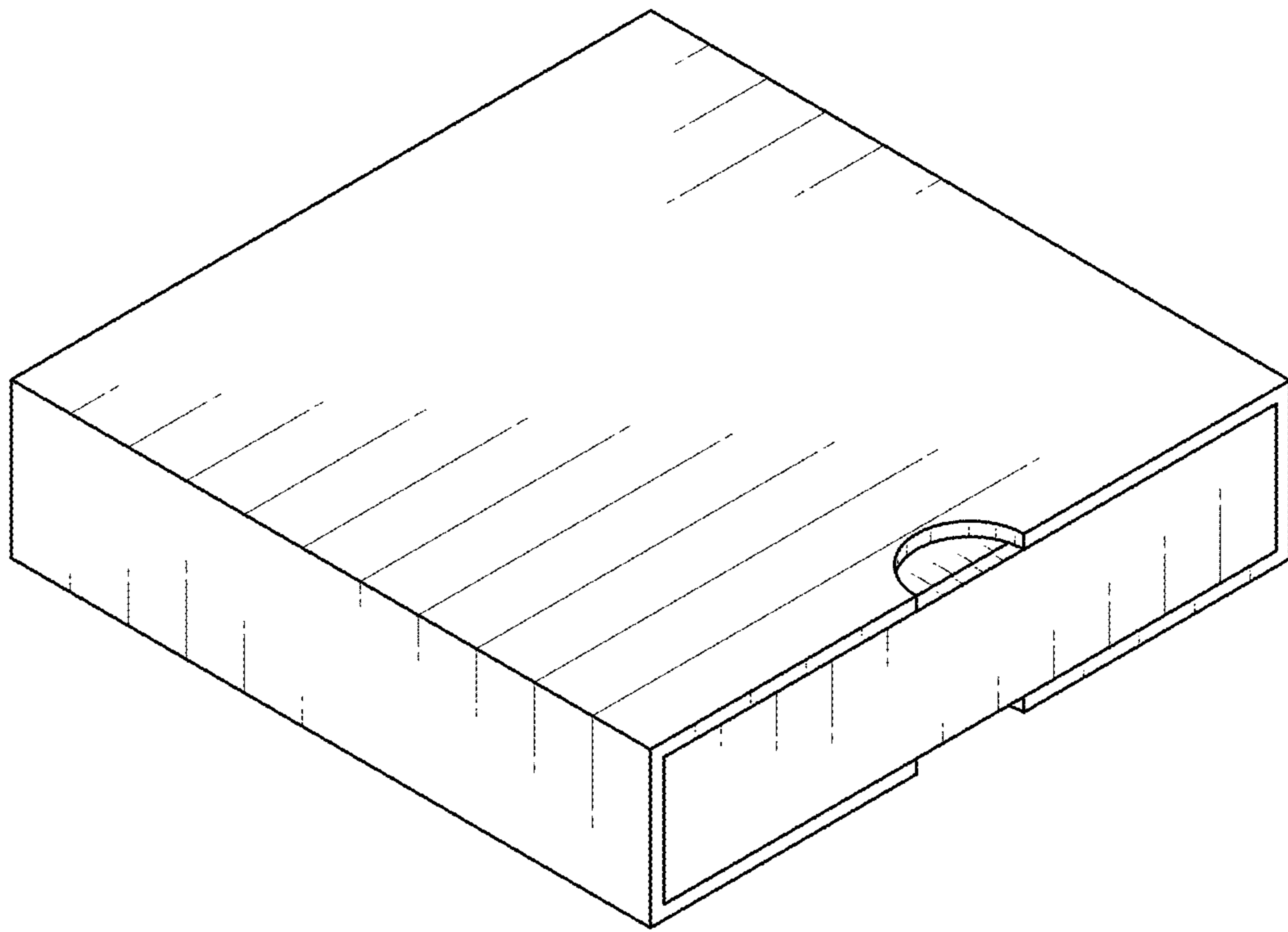


FIG. 1

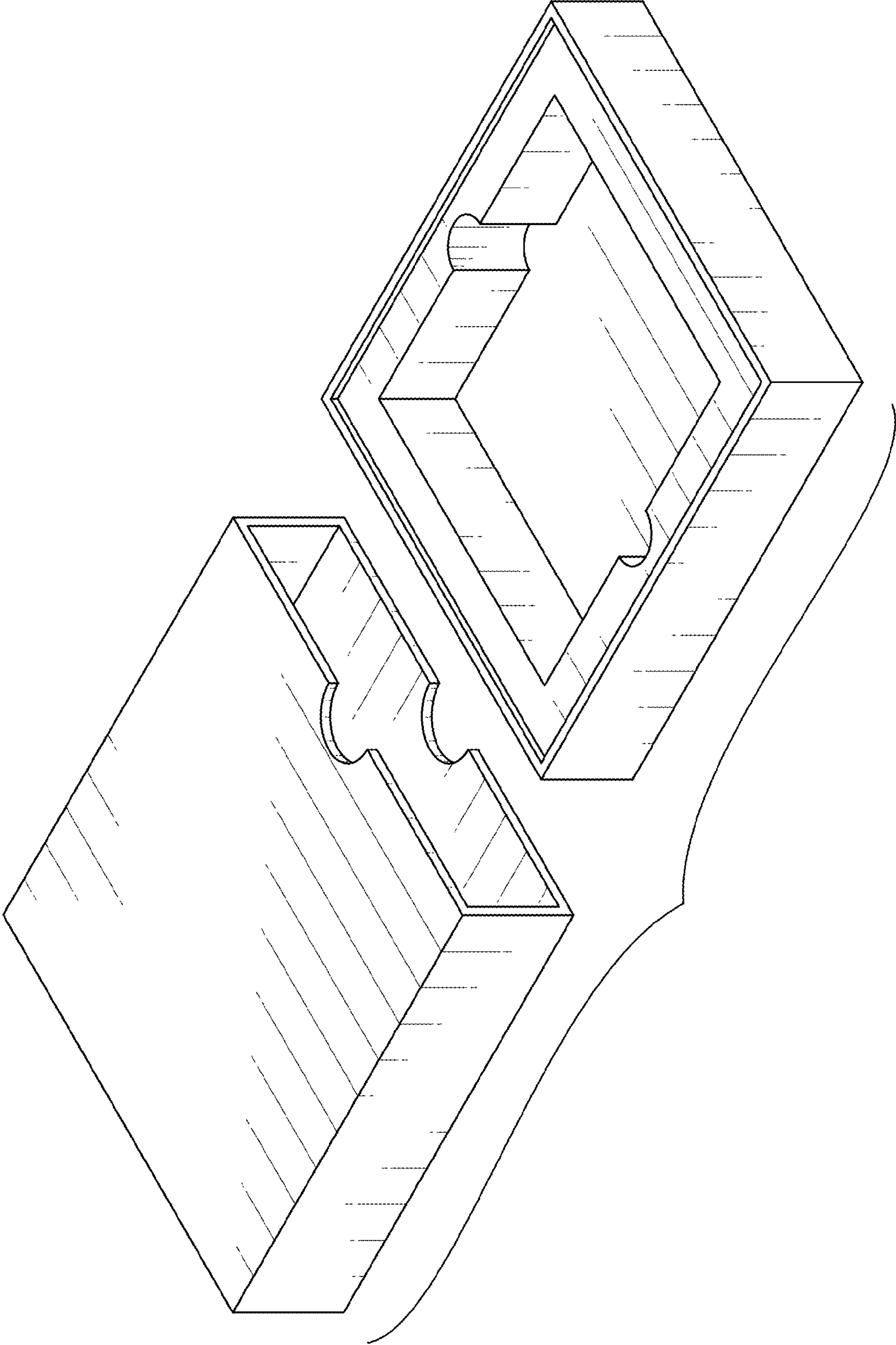


FIG. 2

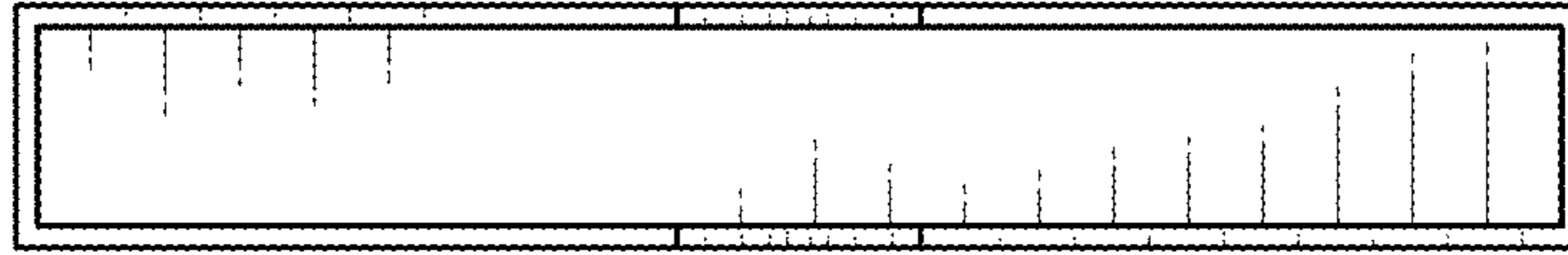


FIG. 3

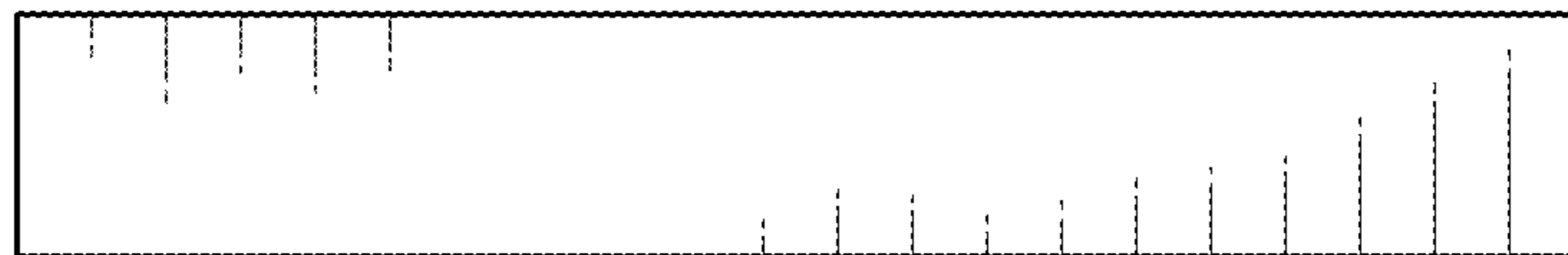


FIG. 4



FIG. 5



FIG. 6

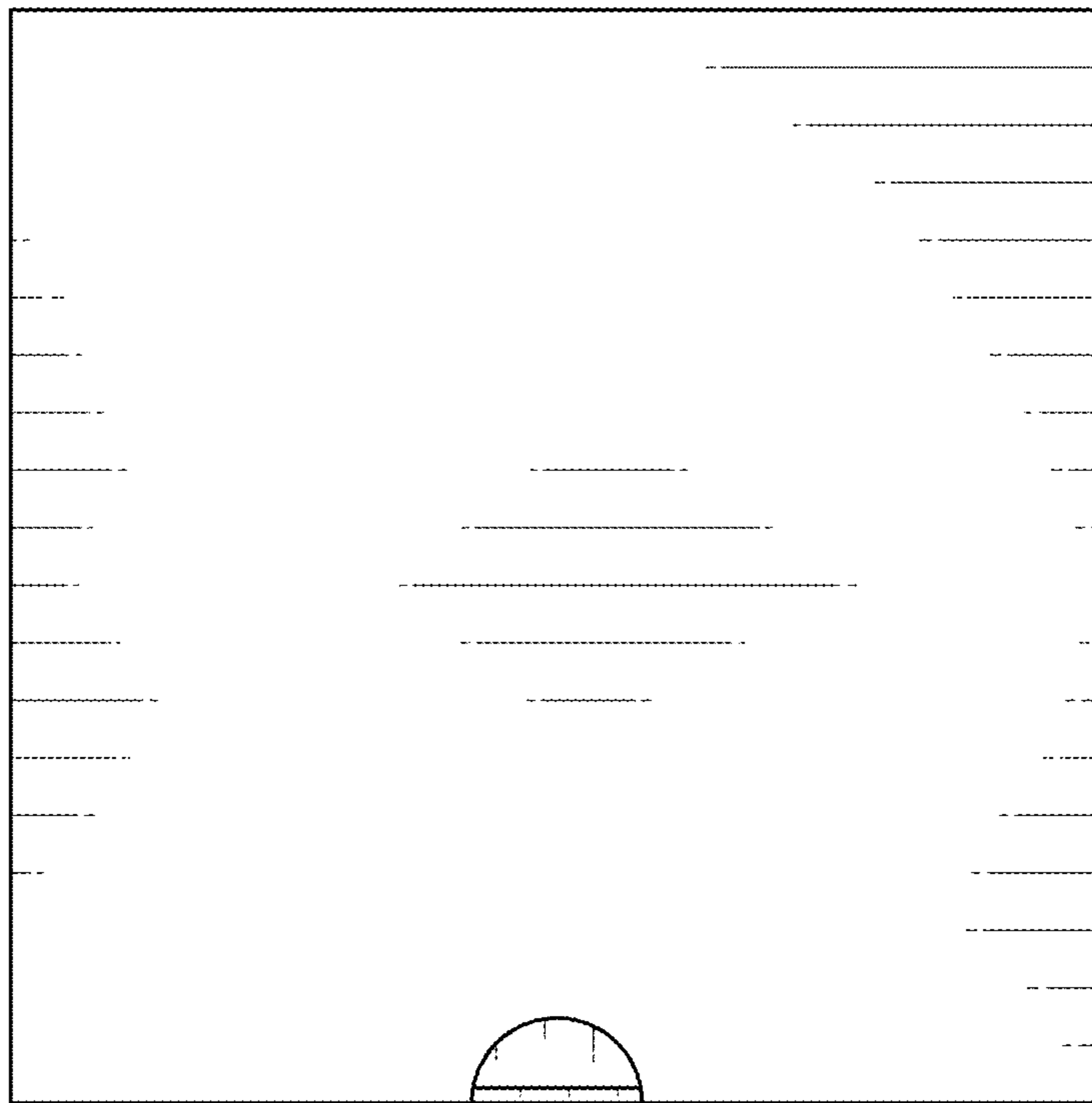


FIG. 7

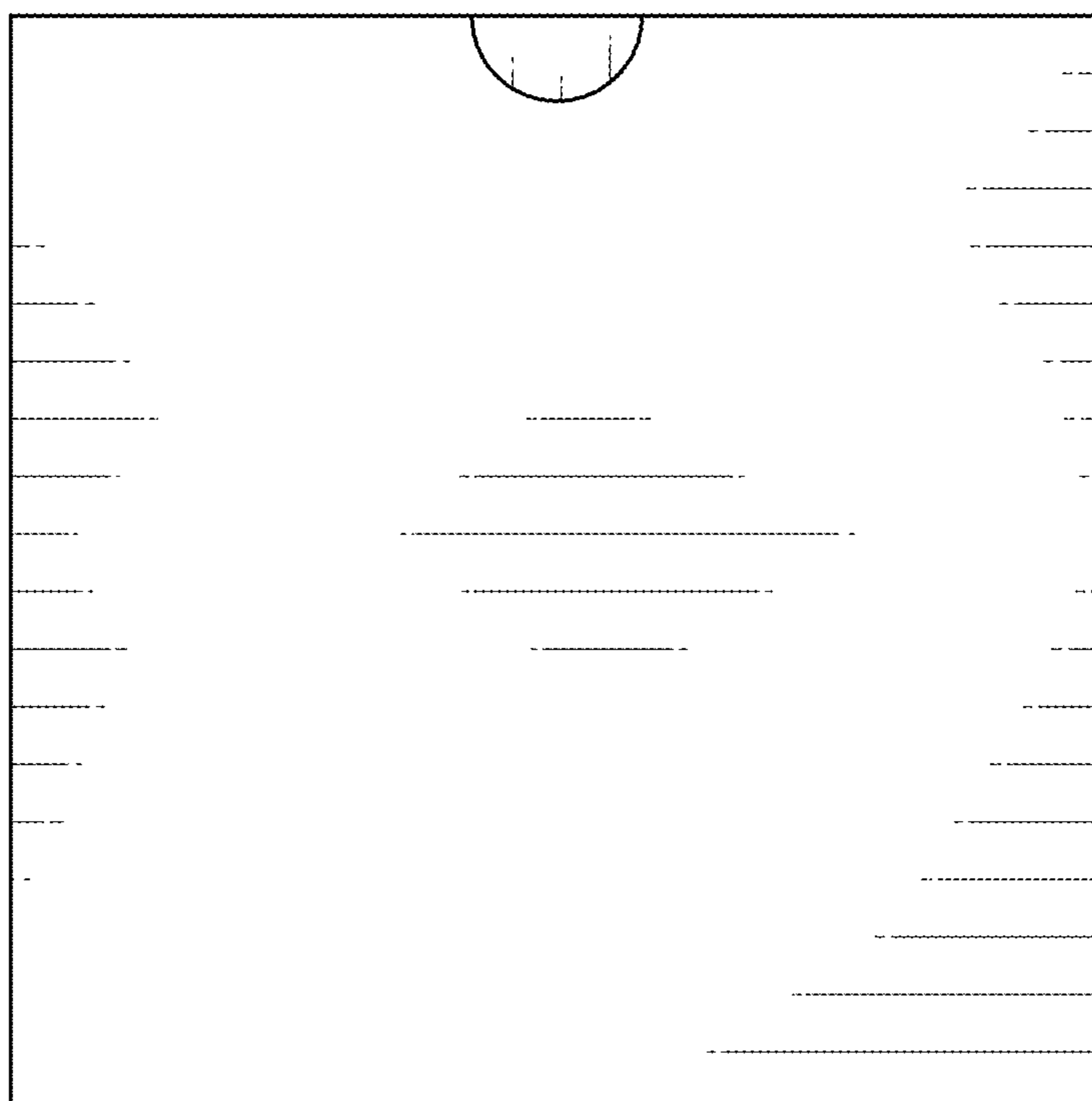


FIG. 8