



US00D972403S

(12) **United States Design Patent** (10) **Patent No.:** **US D972,403 S**  
**Hand et al.** (45) **Date of Patent:** **\*\* Dec. 13, 2022**

(54) **FASTENING NUT** 4,832,551 A 5/1989 Wollar  
 4,890,964 A 1/1990 Lindley et al.  
 (71) Applicant: **Bemis Manufacturing Company,** 5,118,237 A 6/1992 Wright  
 Sheboygan Falls, WI (US) 5,139,381 A 8/1992 Lubreski et al.  
 (Continued)

(72) Inventors: **Joseph M. Hand,** Sheboygan Falls, WI (US); **Jonathan Arndt,** Sheboygan, WI (US)

**FOREIGN PATENT DOCUMENTS**

DE 202017001316 U1 7/2017  
 EP 0770186 B1 9/1998  
 (Continued)

(73) Assignee: **Bemis Manufacturing Company,** Sheboygan Falls, WI (US)

**OTHER PUBLICATIONS**

(\*\*) Term: **15 Years**

Images of a speed nut for attaching a toilet seat to a toilet bowl, publicly available prior to Feb. 17, 2020.  
 (Continued)

(21) Appl. No.: **29/766,417**

(22) Filed: **Jan. 15, 2021**

(51) **LOC (13) Cl.** ..... **08-08**

*Primary Examiner* — Cynthia R Underwood

(52) **U.S. Cl.**  
USPC ..... **D8/397**

(74) *Attorney, Agent, or Firm* — Michael Best & Friedrich LLP

(58) **Field of Classification Search**  
 USPC ..... D8/397, 394, 382, 349, 399  
 CPC ..... A47K 13/26; F16B 31/021  
 See application file for complete search history.

(57) **CLAIM**

We claim the ornamental design for a fastening nut, as shown and described.

**DESCRIPTION**

(56) **References Cited**

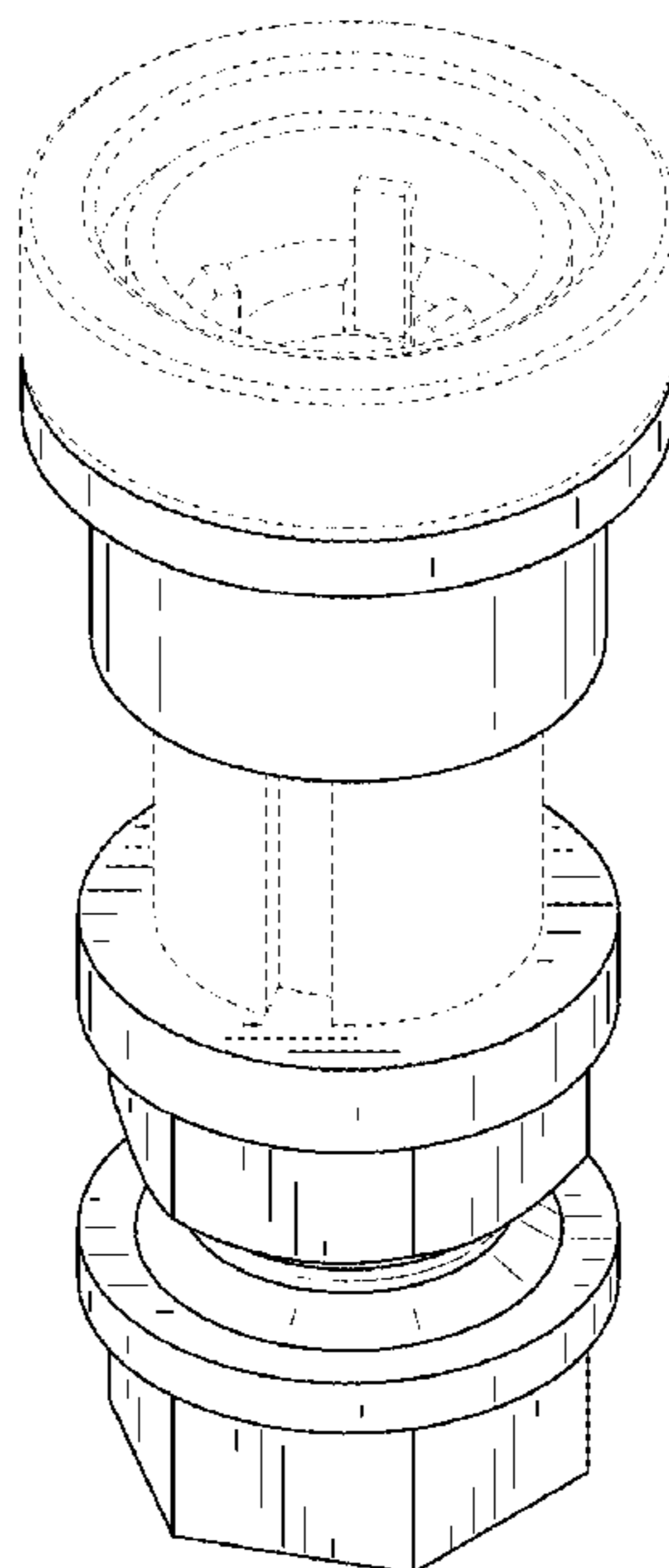
**U.S. PATENT DOCUMENTS**

1,959,620 A	5/1934	Eveno
2,367,480 A	1/1945	Beswick
2,690,201 A	9/1954	Fineran
3,254,363 A	6/1966	Watson
3,381,732 A	5/1968	Engelmann
3,570,021 A	3/1971	Watson
3,878,757 A	4/1975	Puklus, Jr.
4,378,187 A	3/1983	Fullerton
4,467,481 A	8/1984	Ginsburg
4,495,547 A	1/1985	Stoverock
4,618,300 A	10/1986	Goebel
D294,219 S	2/1988	Hamatani

FIG. 1 is a perspective view of a fastening nut according to one embodiment.

FIG. 2 is a first side view of the fastening nut of FIG. 1.  
 FIG. 3 is a second side view of the fastening nut of FIG. 1.  
 FIG. 4 is a third side view of the fastening nut of FIG. 1.  
 FIG. 5 is a fourth side view of the fastening nut of FIG. 1.  
 FIG. 6 is a first end view of the fastening nut of FIG. 1; and,  
 FIG. 7 is a second end view of the fastening nut of FIG. 1.  
 Any portion of the fastening nut shown in broken lines is included for the purpose of illustrating environment and forms no part of the claimed design.

**1 Claim, 6 Drawing Sheets**



(56)

References Cited

U.S. PATENT DOCUMENTS

5,168,781 A \* 12/1992 Tenuta ..... B25B 13/06  
81/121.1

5,292,217 A 3/1994 Korpi

5,320,466 A 6/1994 Suzuki

5,362,187 A 11/1994 Scalise

5,503,374 A 4/1996 Hellon

5,511,919 A 4/1996 Scalise

D415,016 S 10/1999 Murguia

5,992,272 A \* 11/1999 Fortner ..... B25B 23/0057  
81/121.1

6,089,807 A 7/2000 Larsson

6,974,291 B2 12/2005 Li

7,165,482 B2 \* 1/2007 Shapoval ..... B25B 15/007  
411/406

7,338,242 B2 3/2008 Ellis et al.

D627,039 S \* 11/2010 Yu ..... D23/260

D645,382 S \* 9/2011 Verbowski ..... D12/159

8,231,318 B2 7/2012 Pitsch et al.

8,540,471 B2 9/2013 Dvorak

8,696,280 B2 4/2014 Orange et al.

D715,612 S \* 10/2014 Halstead ..... D8/29

9,107,548 B2 \* 8/2015 Hand ..... F16B 31/021

9,194,421 B2 11/2015 Limatoc

9,222,245 B2 12/2015 Ye et al.

9,316,245 B2 4/2016 Dvorak

9,592,592 B2 \* 3/2017 Prunean ..... B25B 23/00

9,635,987 B2 5/2017 Hand et al.

D789,781 S \* 6/2017 Johnson ..... D8/397

D792,201 S \* 7/2017 Baiz ..... D8/387

9,986,878 B2 6/2018 Stelter et al.

10,184,508 B2 1/2019 Limatoc

10,300,588 B2 \* 5/2019 Pauba ..... B25B 27/02

10,323,679 B2 6/2019 Limatoc

10,337,185 B2 7/2019 Espinosa

10,537,982 B2 \* 1/2020 Prunean ..... B25B 21/007

D874,245 S \* 2/2020 Whited ..... D8/397

D890,604 S \* 7/2020 Kirkpatrick ..... D8/397

D905,546 S \* 12/2020 Liebelt ..... D8/382

D915,175 S \* 4/2021 Buckley ..... D8/382

D923,467 S \* 6/2021 Buffalo ..... D8/397

D927,275 S \* 8/2021 Davis ..... D8/29

D931,718 S \* 9/2021 Edland ..... D8/382

D942,845 S \* 2/2022 Iacono ..... D8/382

2005/0051596 A1 \* 3/2005 Estes ..... B25B 31/00  
227/139

2006/0065693 A1 \* 3/2006 Eklund ..... B25C 7/00  
227/147

2008/0008556 A1 1/2008 Dvorak

2008/0014049 A1 1/2008 Dvorak

2012/0210546 A1 \* 8/2012 Jang ..... A63H 33/101  
24/615

2012/0230796 A1 \* 9/2012 McClure ..... F16B 19/109  
411/80.1

2014/0186134 A1 7/2014 Lin

2015/0273463 A1 \* 10/2015 Motadel ..... B01L 3/0275  
73/864.01

2016/0363156 A1 12/2016 Yonker et al.

2017/0036329 A1 \* 2/2017 Santamarina ..... B23B 31/1074

2018/0263438 A1 9/2018 Verchick

2019/0000285 A1 1/2019 Xu

2019/0078607 A1 3/2019 Quinn et al.

2019/0208969 A1 7/2019 Laundre

2019/0316626 A1 10/2019 Limatoc

2020/0141440 A1 \* 5/2020 Liebelt ..... F16B 21/086

2020/0217345 A1 \* 7/2020 Liebelt ..... F16B 19/1081

2020/0246152 A1 \* 8/2020 Marlow ..... A61F 2/3859

2020/0249407 A1 \* 8/2020 Aznag ..... G02B 6/4444

2021/0251441 A1 \* 8/2021 Henne ..... A47K 13/12

2021/0259485 A1 \* 8/2021 Garcia ..... A47K 13/26

FOREIGN PATENT DOCUMENTS

WO 8801024 A1 2/1988

WO 2007024144 A1 3/2007

WO 2014087131 A1 6/2014

OTHER PUBLICATIONS

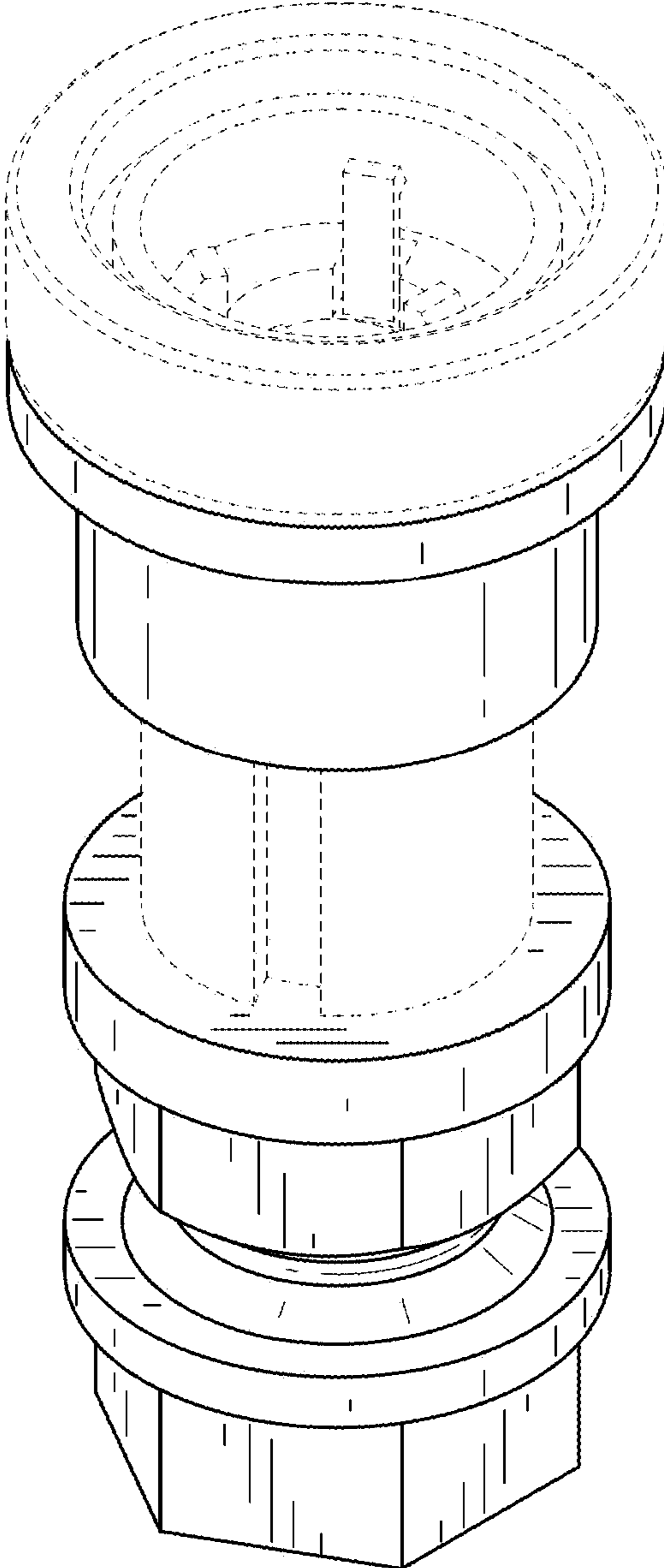
Kohler, "Install a Toilet Seat with Quick Attach Hardware," <<https://support.kohler.com/hc/en-us/articles/360001922614-Install-a-Toilet-Seat-with-Quick-Attach-Hardware>> webpage publicly available prior to Feb. 17, 2020.

Design U.S. Appl. No. 29/724,691 by Jonathan Arndt et al., filed Feb. 18, 2020 (17 pages including cover page).

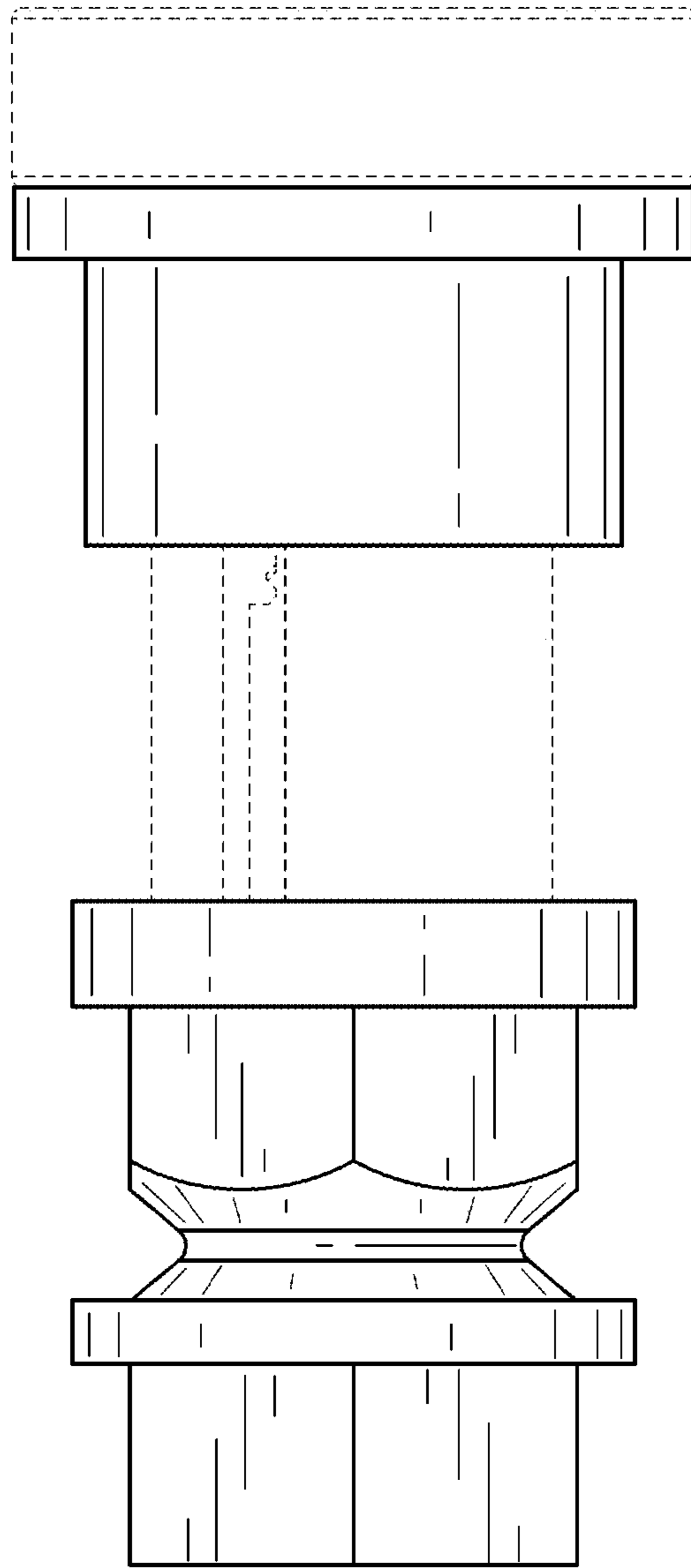
U.S. Appl. No. 62/978,113 by Brian Henne et al., filed Feb. 18, 2020 (16 pages including cover page).

U.S. Appl. No. 62/978,113, filed Feb. 18, 2020 by Brian Henne et al., filed Feb. 17, 2021, claiming priority to U.S. Appl. No. 62/978,113, filed Feb. 18, 2020 (34 pages including cover page).

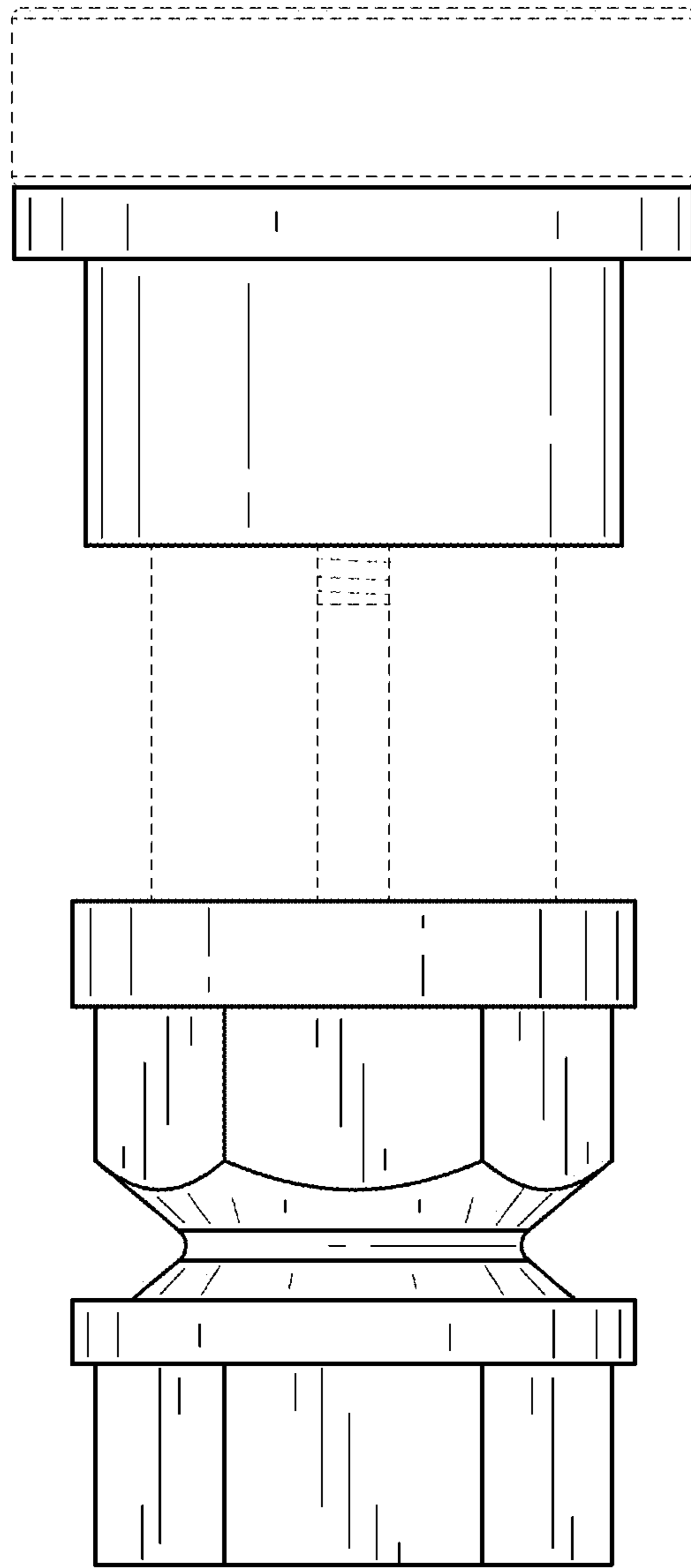
\* cited by examiner



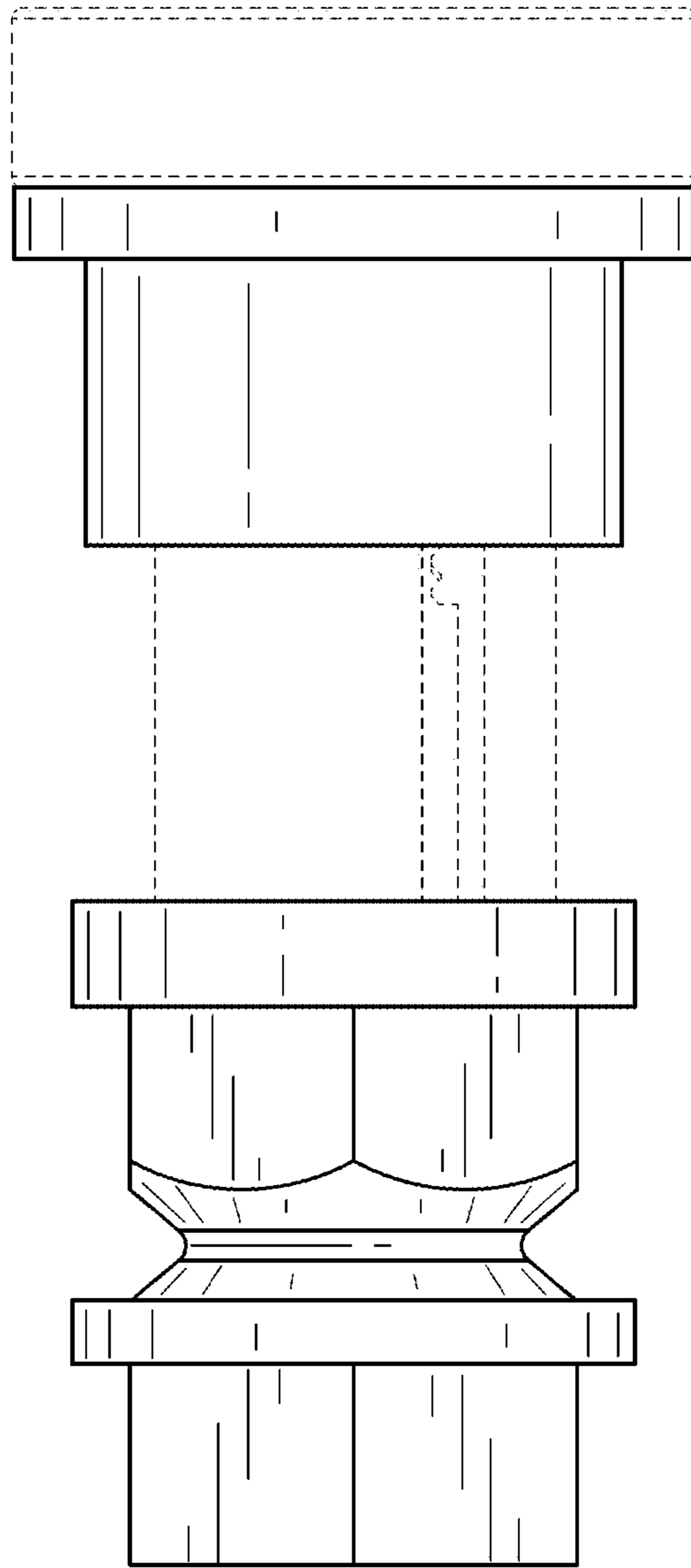
**FIG. 1**



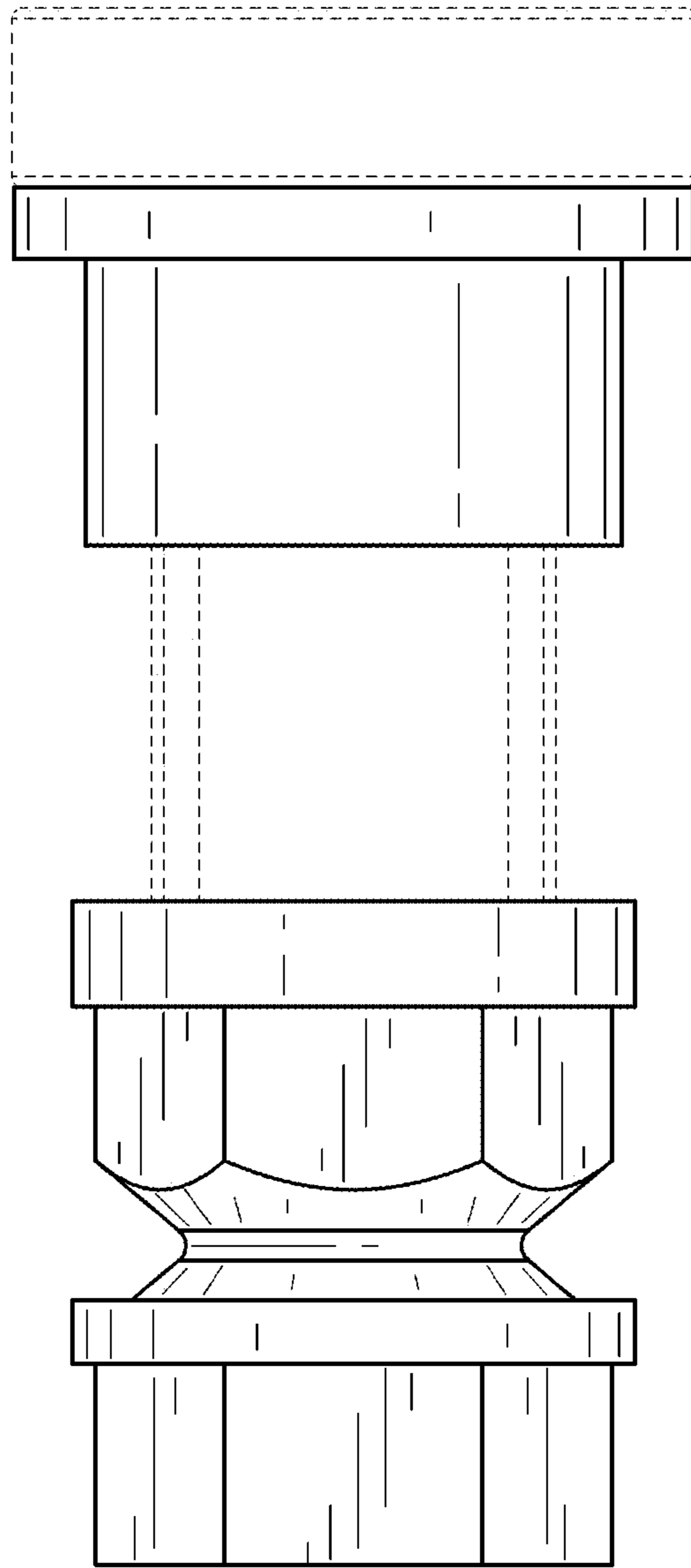
**FIG. 2**



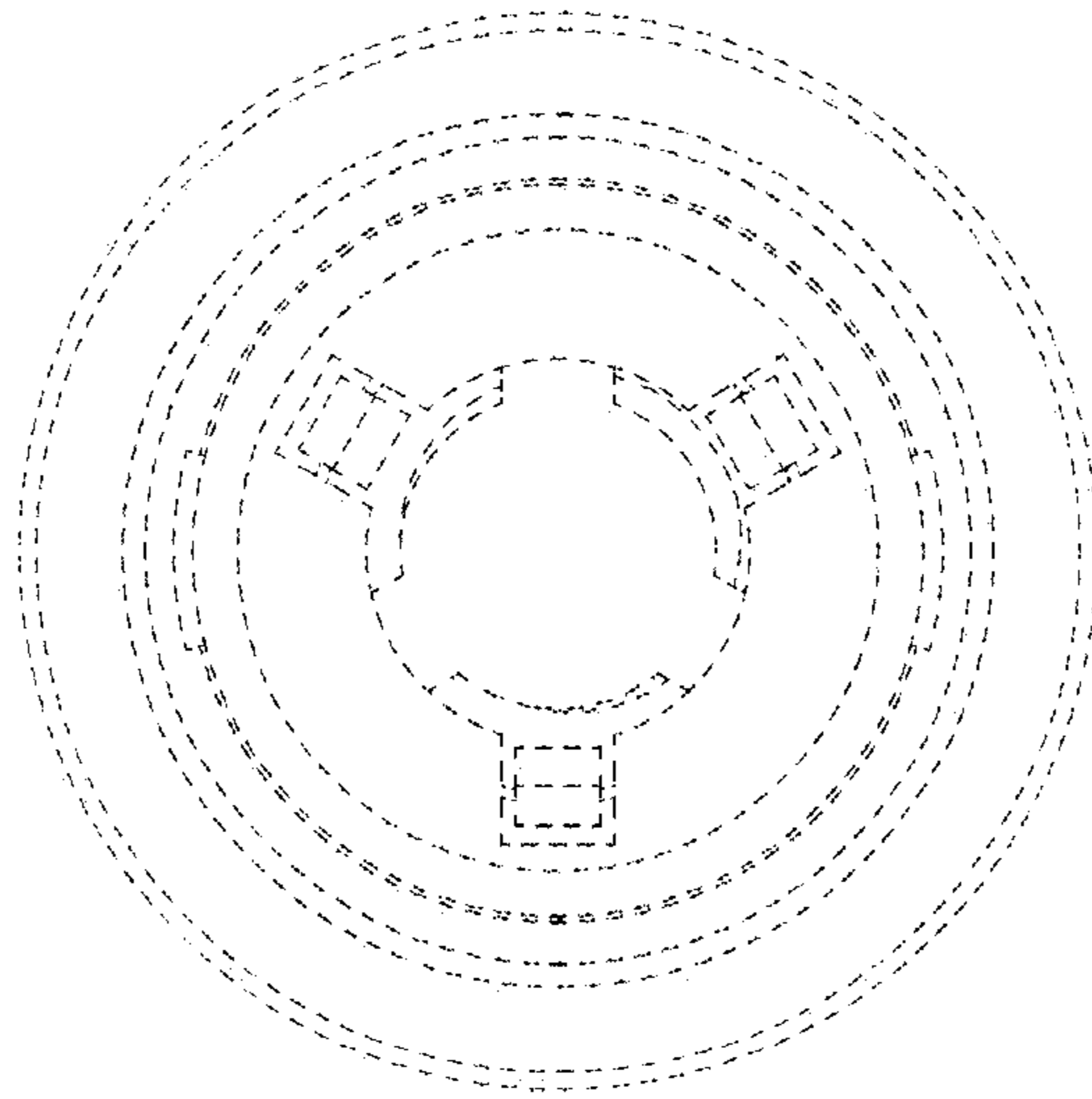
**FIG. 3**



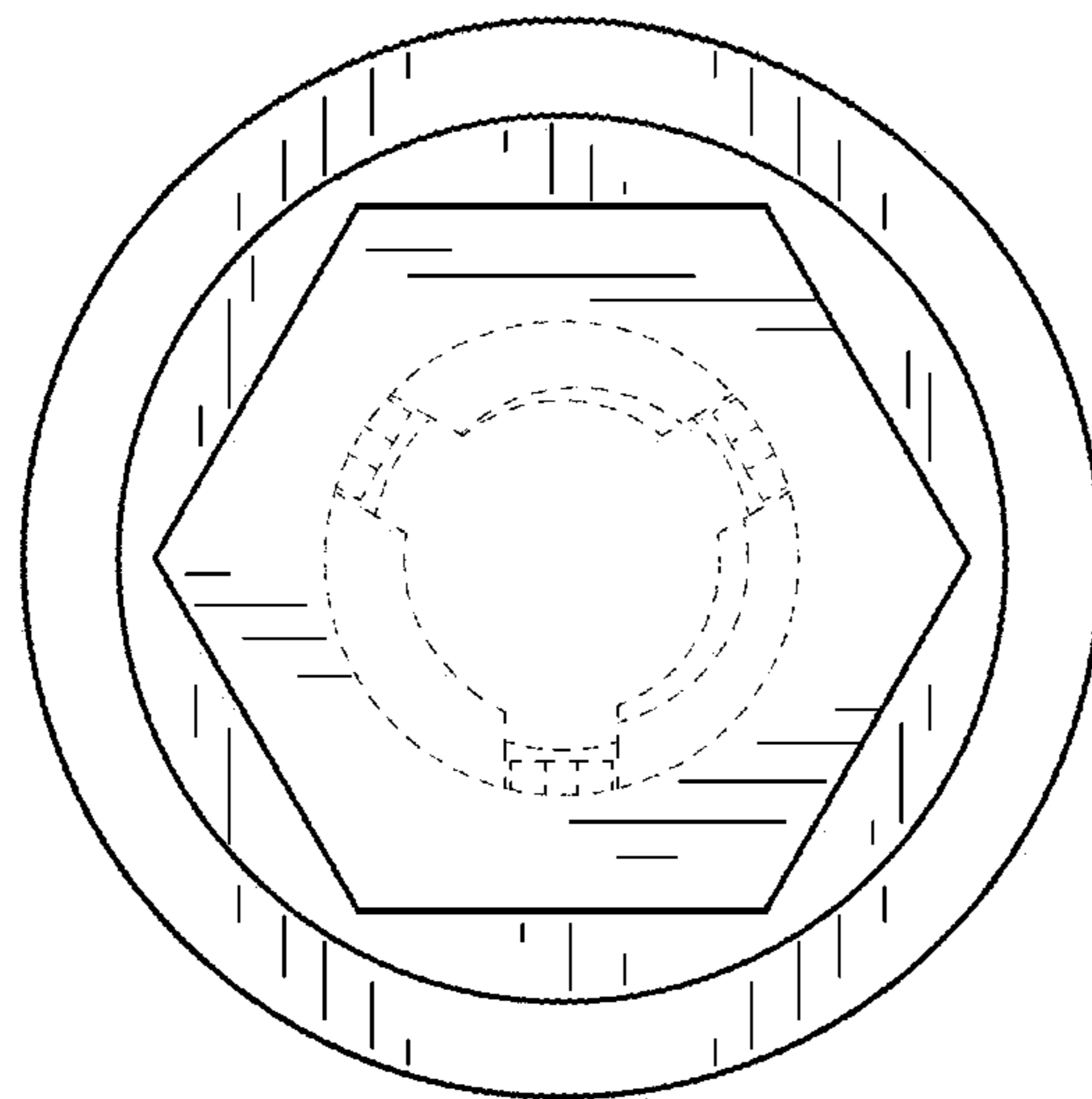
**FIG. 4**



**FIG. 5**



**FIG. 6**



**FIG. 7**