



US00D972402S

(12) **United States Design Patent** (10) **Patent No.:** **US D972,402 S**
Liebelt (45) **Date of Patent:** **** Dec. 13, 2022**

- (54) **GROMMET**
- (71) Applicant: **Illinois Tool Works Inc.**, Glenview, IL (US)
- (72) Inventor: **Scott M. Liebelt**, Eau Claire, WI (US)
- (73) Assignee: **Illinois Tool Works Inc.**, Glenview, IL (US)
- (**) Term: **15 Years**
- (21) Appl. No.: **29/773,602**
- (22) Filed: **Mar. 10, 2021**

- 5,375,954 A 12/1994 Eguchi
- 5,435,679 A 7/1995 Barry
- 5,499,737 A 3/1996 Kraus
- 5,507,610 A 4/1996 Benedetti et al.
- 5,632,581 A 5/1997 Hasada
- (Continued)

FOREIGN PATENT DOCUMENTS

- CN 106351930 A 1/2017
- CN 307140124 * 3/2022
- (Continued)

OTHER PUBLICATIONS

European Search Report from Application No. 20150033.7, dated May 12, 2020. (8 pages).

Primary Examiner — Sheryl Lane
Assistant Examiner — Ieisha N Price
(74) *Attorney, Agent, or Firm* — Quarles & Brady LLP

Related U.S. Application Data

- (63) Continuation of application No. 16/501,136, filed on Jul. 10, 2020.
- (51) **LOC (13) Cl.** **08-08**
- (52) **U.S. Cl.**
USPC **D8/382**
- (58) **Field of Classification Search**
USPC D8/385, 382, 349, 356
CPC F16B 5/00; F16B 5/0657; F16B 13/06;
F16B 19/1081; F16B 19/08; F16B 19/10;
F16B 21/075; F16B 21/084; F16B 21/07;
F16B 21/082; F16B 21/08; B60R
16/0222; B60R 16/0215; H01B 17/583
See application file for complete search history.

(57) **CLAIM**

The ornamental design for a grommet, as shown and described.

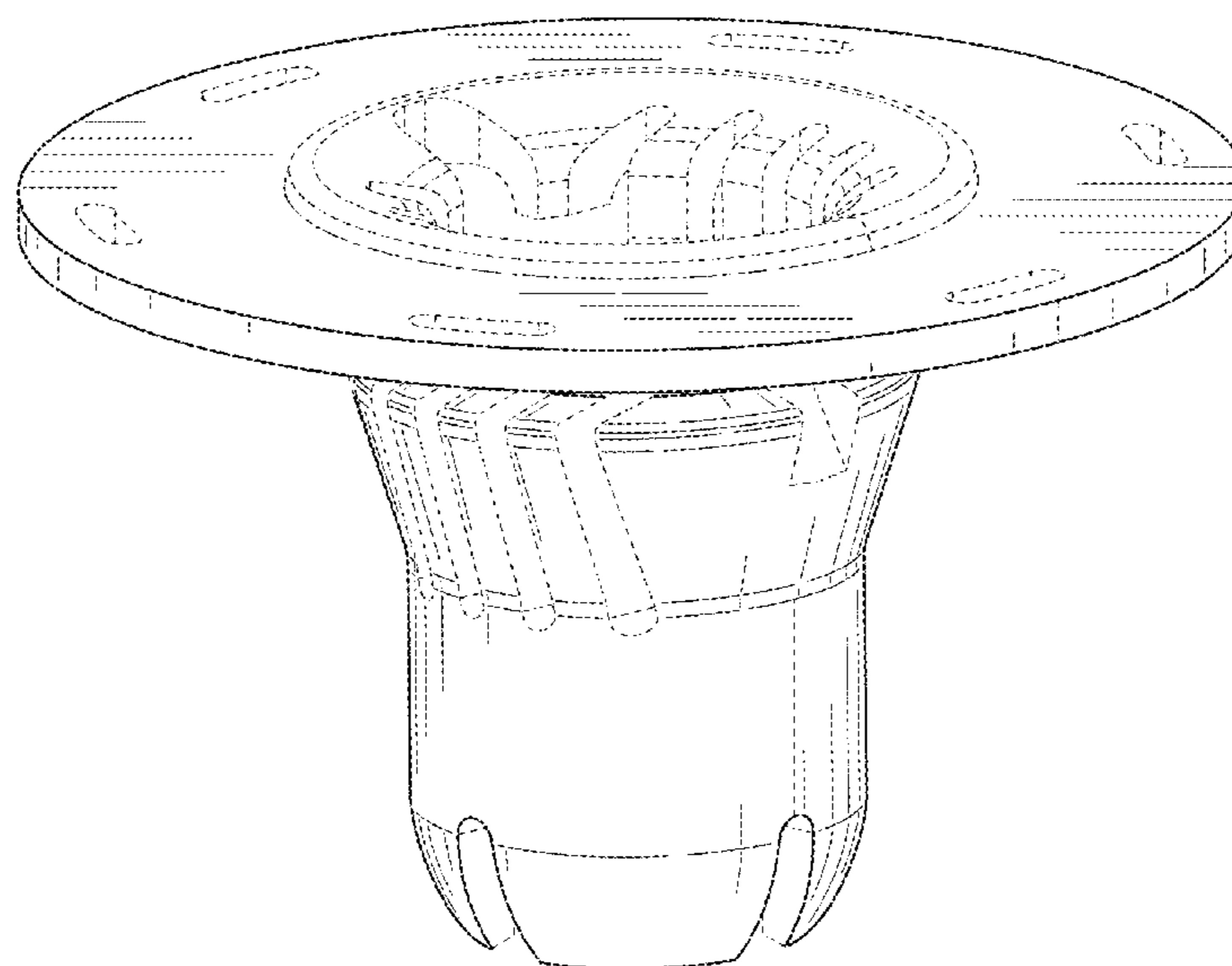
DESCRIPTION

FIG. 1 is an isometric view of a top, front, and right side of an ornamental design for a grommet;
FIG. 2 is an isometric view of a bottom, front, and right side of the grommet of FIG. 1;
FIG. 3 is a right side elevational view of the grommet of FIG. 1, the left side elevational view being an identical image thereof; and,
FIG. 4 is a front elevational view of the grommet of FIG. 1, the rear elevational view being an identical image thereof.
The broken lines in the drawings illustrate portions of the grommet and form no part of the claimed design. The dash-dot-dash broken lines in the drawings define the bounds of the claim and form no part thereof.

(56) **References Cited**
U.S. PATENT DOCUMENTS

- 3,164,054 A 1/1965 Biesecker
- D273,091 S 3/1984 Kurosaki
- 4,487,998 A 12/1984 Pegram
- 4,675,937 A 6/1987 Mitomi
- 4,927,287 A 5/1990 Ohkawa et al.
- 4,952,106 A 8/1990 Kubogochi et al.
- 4,953,269 A 9/1990 Ragsdale
- 5,294,225 A 3/1994 Kazino et al.

1 Claim, 4 Drawing Sheets



(56)

References Cited

U.S. PATENT DOCUMENTS

5,795,118 A 8/1998 Osada et al.
 5,850,676 A 12/1998 Takahashi et al.
 5,975,820 A 11/1999 Kirchen
 5,980,180 A 11/1999 Schiess
 6,364,586 B1 4/2002 Okada
 6,431,585 B1 8/2002 Rickabus et al.
 6,507,976 B2 1/2003 Ichimaru
 6,616,479 B1 9/2003 Jones
 7,033,121 B2 4/2006 Kirchen
 7,105,750 B1 9/2006 Duhr
 7,114,217 B2 10/2006 Matsuzawa et al.
 7,207,759 B2 4/2007 Kato
 7,690,876 B2 4/2010 Kawai et al.
 8,037,582 B2 10/2011 Okada et al.
 D665,245 S 8/2012 Nakazato
 8,245,367 B2 8/2012 Kato et al.
 8,348,568 B2 1/2013 Murakami
 8,572,805 B2 11/2013 Inoue
 8,662,807 B2 3/2014 Adachi
 8,769,779 B2 7/2014 Lee
 8,961,092 B2 2/2015 De Jong et al.
 9,061,379 B1 6/2015 Mead et al.
 9,115,743 B2 8/2015 Yamamoto
 9,303,672 B2 4/2016 Lepper
 9,879,707 B2 1/2018 Watanabe
 D824,747 S 8/2018 Briese et al.
 10,113,577 B2 10/2018 Kanie
 10,396,489 B2 8/2019 Mizuno et al.
 10,451,100 B2 10/2019 Flynn
 11,346,385 B2* 5/2022 Liebelt F16B 21/075
 2002/0026693 A1 3/2002 Akema et al.
 2002/0094253 A1 7/2002 Enomoto et al.

2004/0013481 A1 1/2004 Jeppesen
 2004/0020016 A1 2/2004 Yoneoka
 2006/0171793 A1 8/2006 Kawai et al.
 2007/0289770 A1 12/2007 Koike
 2008/0298925 A1 12/2008 Shinozaki
 2010/0162534 A1 7/2010 Kato
 2011/0014005 A1 1/2011 Shinozaki
 2012/0057948 A1 3/2012 Jeon
 2012/0210546 A1 8/2012 Jang et al.
 2012/0230796 A1 9/2012 McClure
 2014/0047679 A1 2/2014 Lepper et al.
 2014/0099156 A1 4/2014 Weber
 2016/0348707 A1 12/2016 Wu
 2017/0051780 A1* 2/2017 Dickinson F16B 21/076
 2020/0088226 A1* 3/2020 Dickinson F16B 21/075
 2020/0141440 A1 5/2020 Liebelt et al.
 2020/0217345 A1 7/2020 Liebelt
 2021/0239147 A1* 8/2021 Gokavi F16B 21/075
 2021/0309170 A1* 10/2021 Liebelt F16B 21/075
 2021/0310509 A1* 10/2021 Liebelt F16B 21/075
 2022/0013257 A1* 1/2022 Liebelt B60R 16/0222

FOREIGN PATENT DOCUMENTS

DE 3931180 A1 4/1990
 EP 2719907 A1 4/2014
 EP 2722534 A1 4/2014
 GB 4016865 * 9/2010
 JP H08232925 A 9/1996
 JP D1179352 * 7/2003
 JP D1252264 * 10/2005
 JP D1428981 * 12/2011
 JP D1437528 * 4/2012
 TW 155984-0001 * 9/2013

* cited by examiner

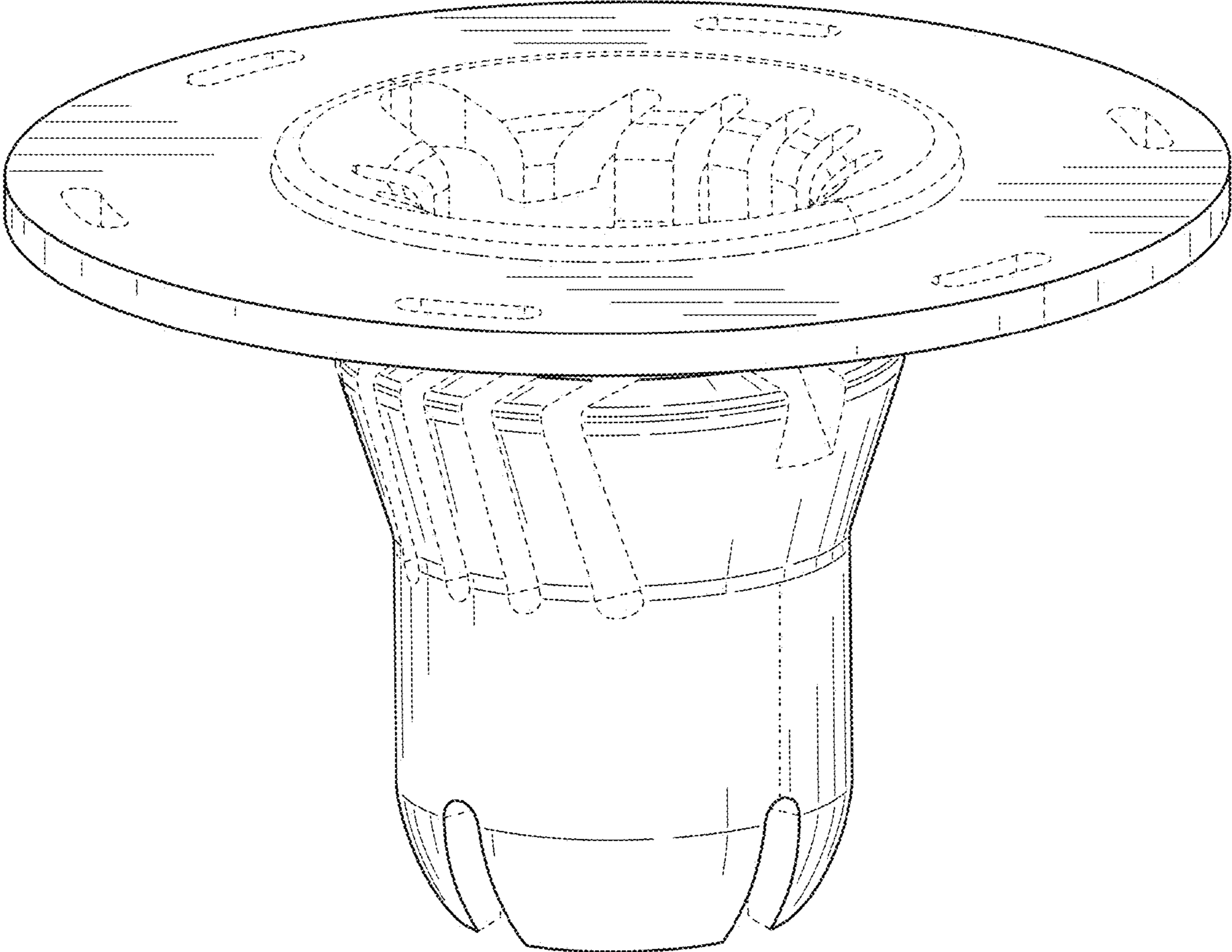


FIG. 1

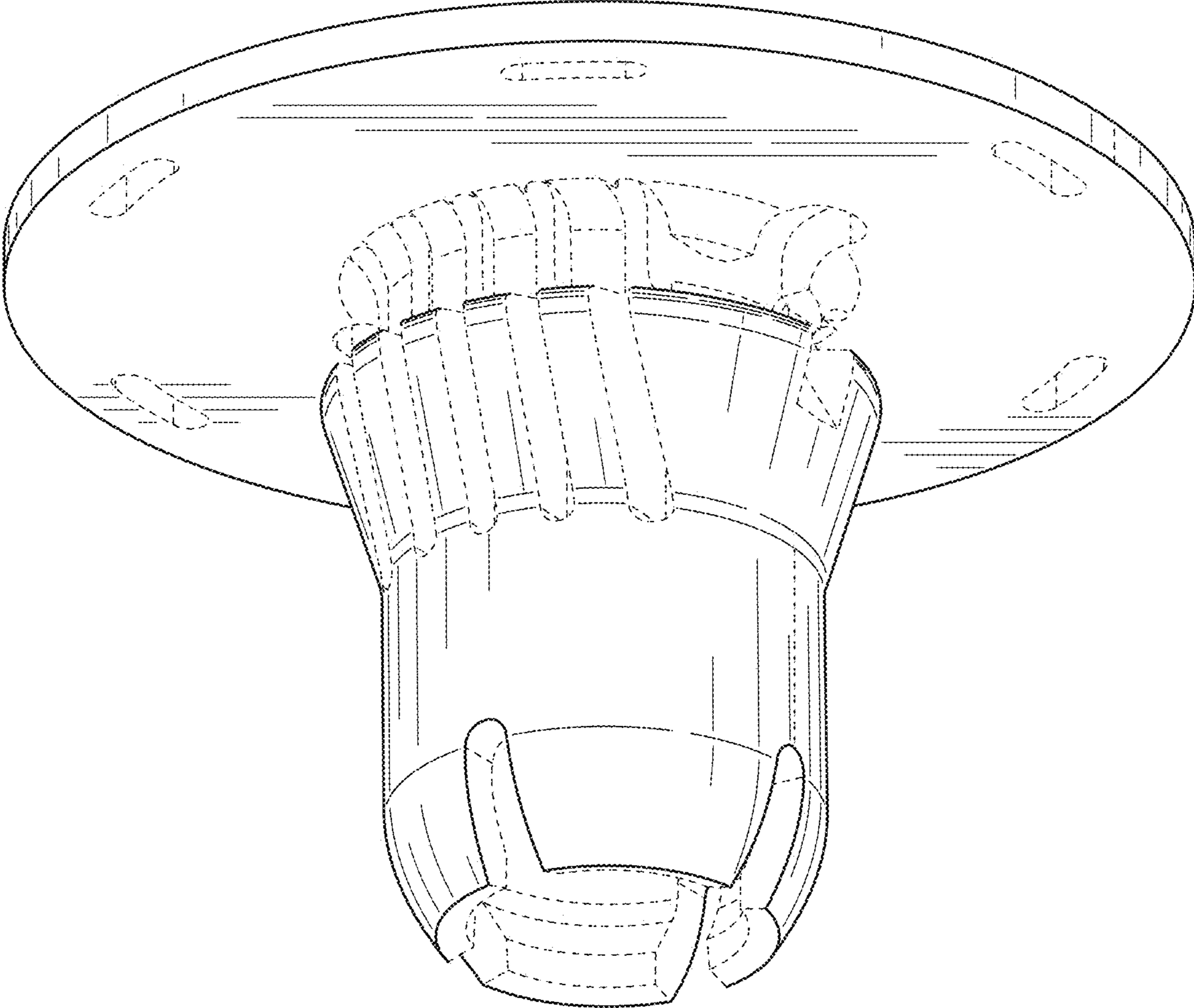


FIG. 2

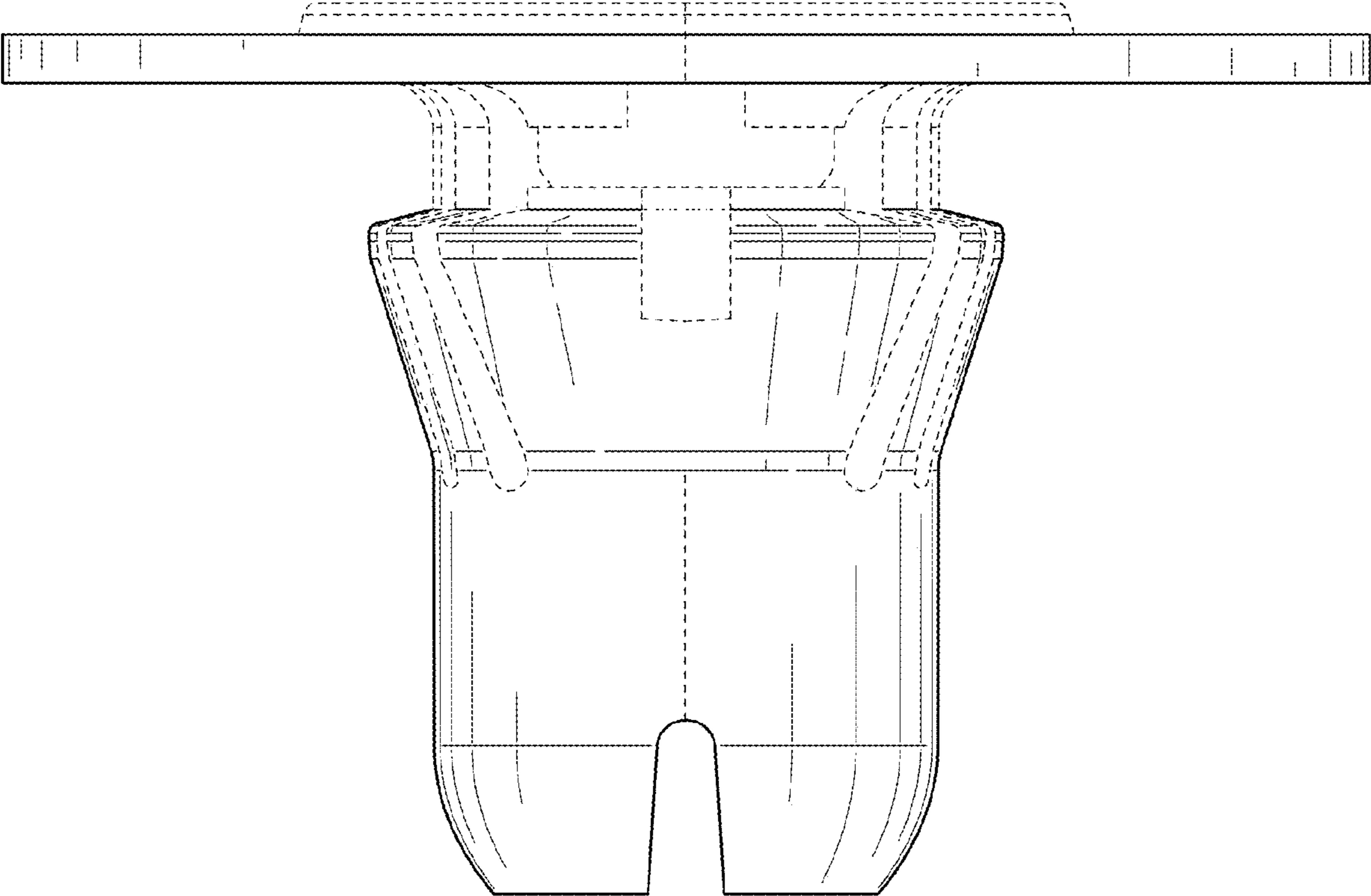


FIG. 3

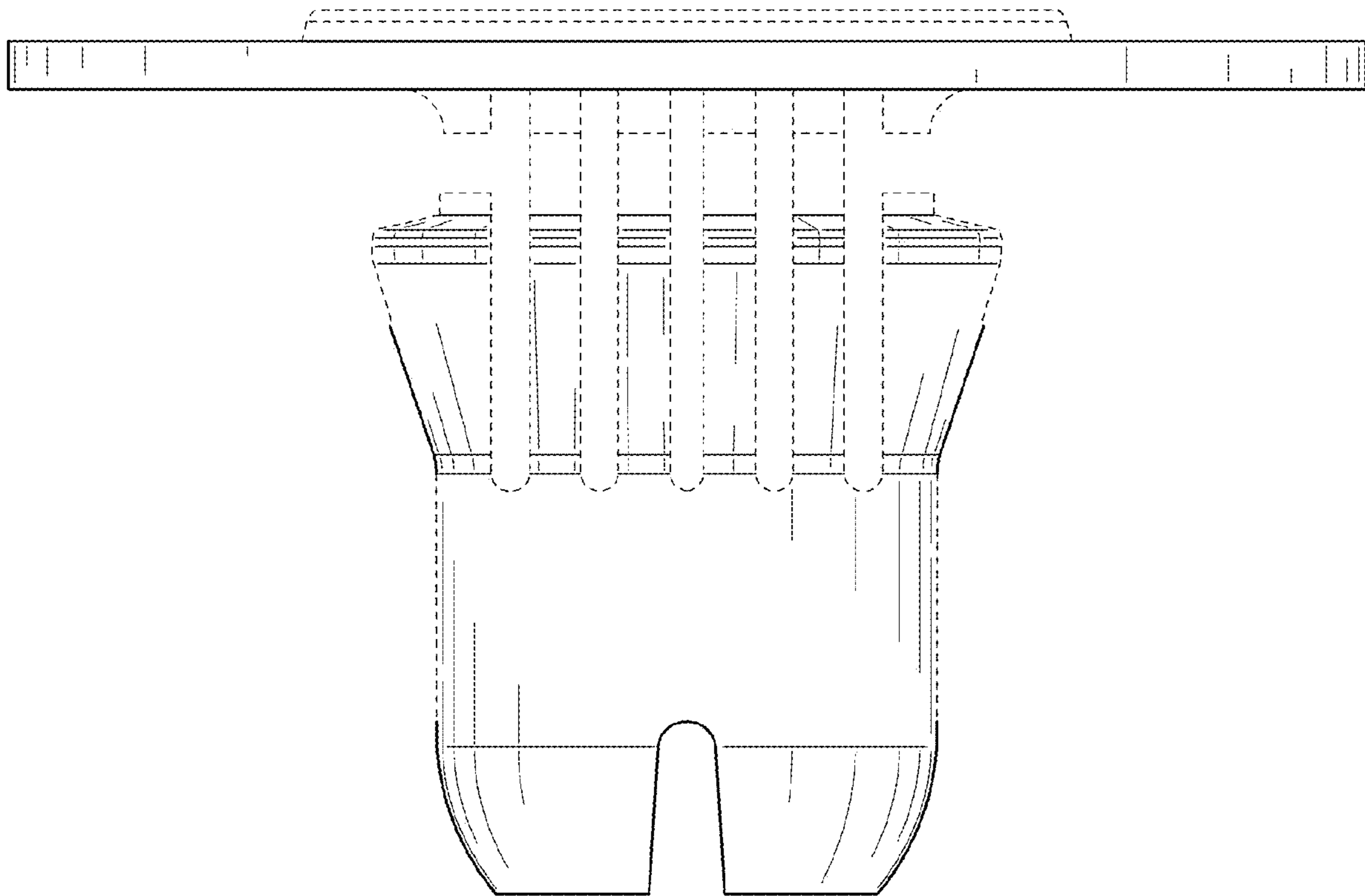


FIG. 4