



US00D972398S

(12) **United States Design Patent** (10) **Patent No.:** **US D972,398 S**  
**Yi** (45) **Date of Patent:** **\*\* Dec. 13, 2022**

(54) **HOOK**  
(71) Applicant: **Xinhua Yi**, Yingtan (CN)  
(72) Inventor: **Xinhua Yi**, Yingtan (CN)  
(\*\*) Term: **15 Years**  
(21) Appl. No.: **29/807,665**  
(22) Filed: **Sep. 14, 2021**  
(51) **LOC (13) Cl.** ..... **08-11**  
(52) **U.S. Cl.**  
USPC ..... **D8/367; D8/356**  
(58) **Field of Classification Search**  
USPC ..... D8/356, 354, 105, 349, 367, 373, 372;  
D3/207; 248/301, 302, 303, 304, 339;  
24/599.7  
CPC ..... B65H 57/16; B63B 21/045; A63B 29/08;  
A63B 27/02; A47G 1/17; A47G 1/22;  
A47G 25/0607; F16B 45/02; F16B  
45/021; B66C 1/125; B66C 1/36; A62B  
35/0037  
See application file for complete search history.

(56) **References Cited**

**U.S. PATENT DOCUMENTS**

D342,665 S \* 12/1993 Rekc ..... D8/367  
D354,676 S \* 1/1995 Izumi ..... D8/367  
D384,575 S \* 10/1997 Paikos ..... D8/367  
D394,202 S \* 5/1998 Anscher ..... D8/367  
D583,654 S \* 12/2008 Uehara ..... D8/367  
D602,348 S \* 10/2009 Berney ..... D8/382  
D649,024 S \* 11/2011 Takazakura ..... D8/367

D662,400 S \* 6/2012 Kope ..... D8/367  
9,322,428 B2 \* 4/2016 Perner ..... F16B 45/02  
D786,655 S \* 5/2017 Petzl ..... D8/367  
D788,572 S \* 6/2017 Votel ..... D8/356  
D790,327 S \* 6/2017 Renforth ..... D8/367  
D852,609 S \* 7/2019 LeBeau ..... D8/356  
D853,223 S \* 7/2019 Chang et al.  
D882,378 S \* 4/2020 Graykowski ..... D8/356  
D933,462 S \* 10/2021 Zunzunegui ..... D8/367  
D943,399 S \* 2/2022 Swanson-Low ..... D8/356  
D945,252 S \* 3/2022 Walker ..... D8/356  
2003/0167608 A1 \* 9/2003 Petzl ..... F16B 45/02  
24/600.2  
2006/0179784 A1 \* 8/2006 Chen ..... F16B 45/00  
52/698

\* cited by examiner

*Primary Examiner* — Cynthia R Underwood

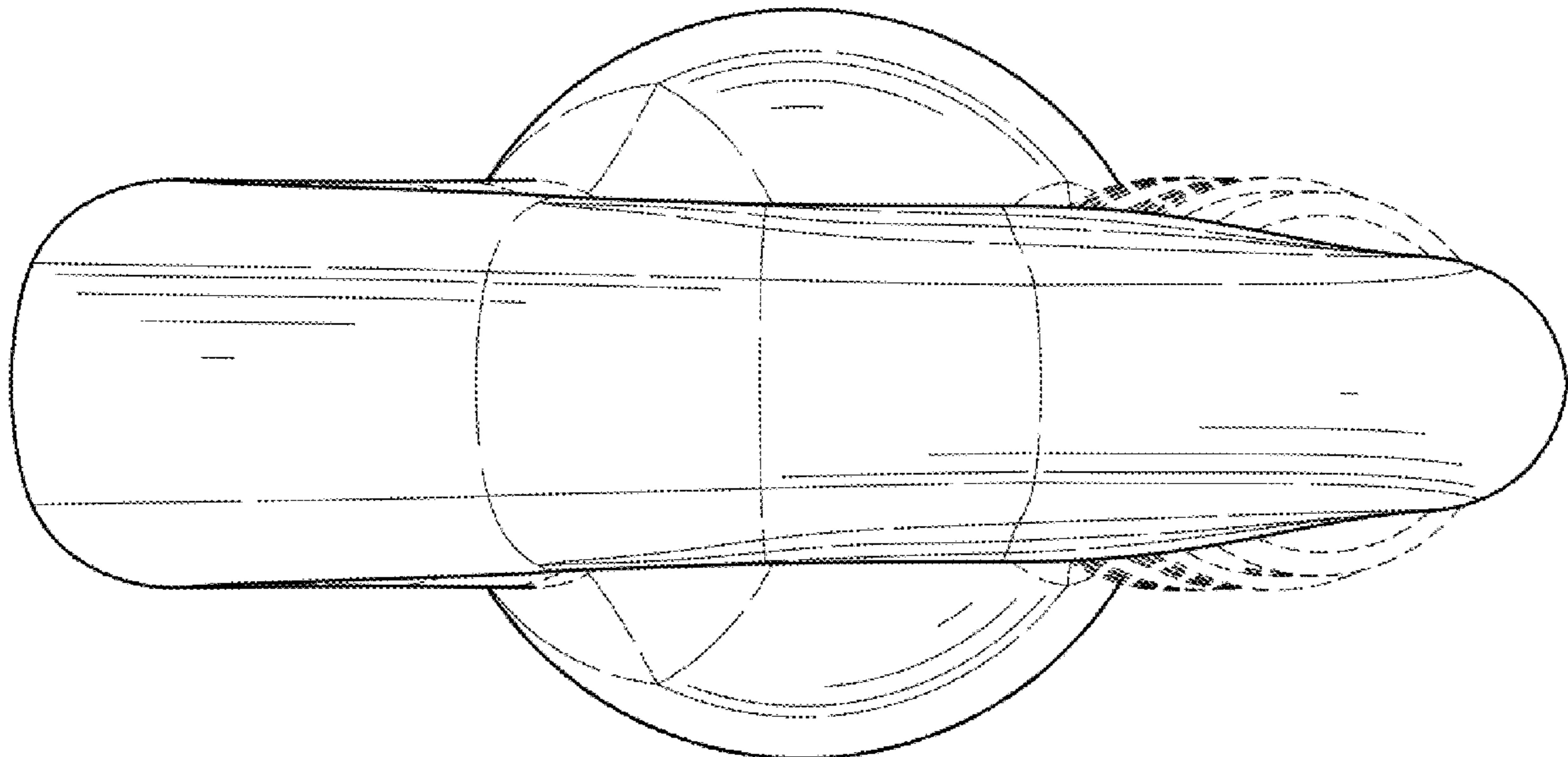
(57) **CLAIM**

The ornamental design for a hook, as shown and described.

**DESCRIPTION**

FIG. 1 is a front and top perspective view of a hook, showing my new design;  
FIG. 2 is a rear and bottom perspective view thereof;  
FIG. 3 is a front elevation view thereof;  
FIG. 4 is a rear elevation view thereof;  
FIG. 5 is a left side elevation view thereof;  
FIG. 6 is a right side elevation view thereof;  
FIG. 7 is a top plan view thereof; and,  
FIG. 8 is a bottom plan view thereof.  
The broken lines in the figures illustrate portions of the hook that form no part of the claimed design.

**1 Claim, 8 Drawing Sheets**



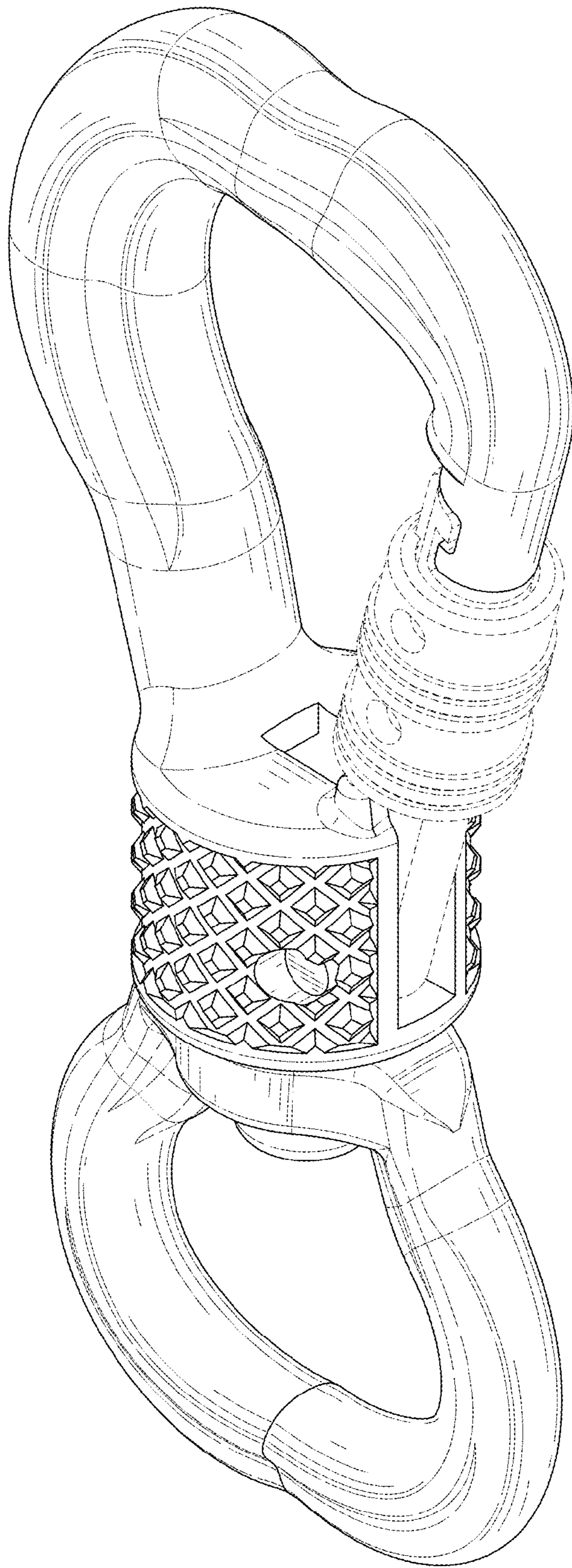


FIG. 1

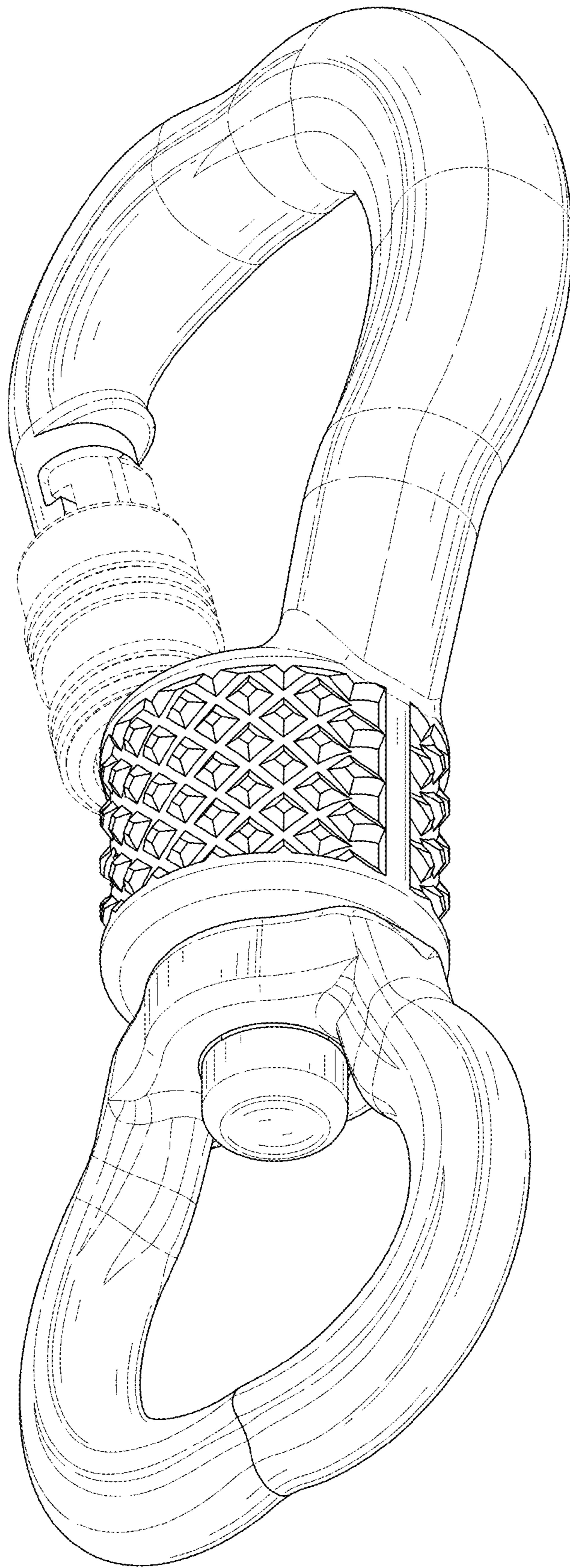


FIG. 2

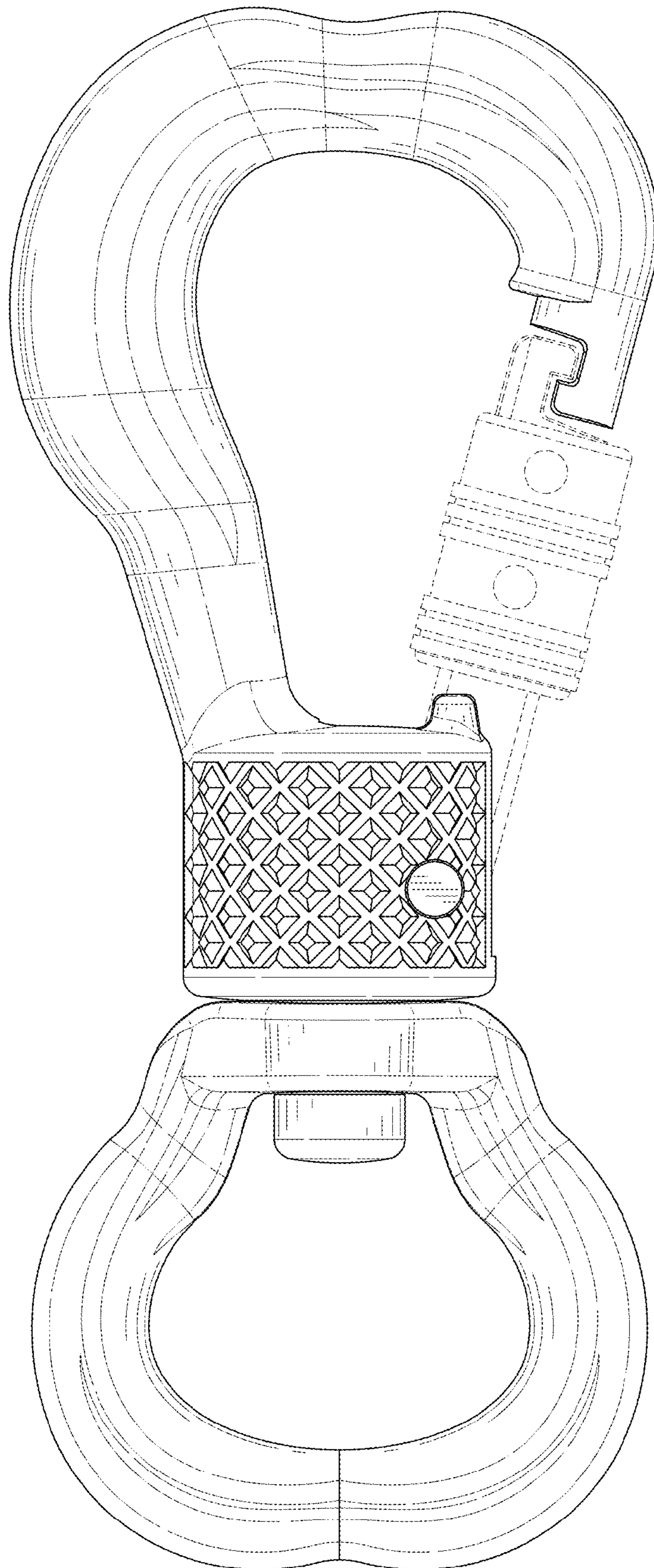


FIG. 3

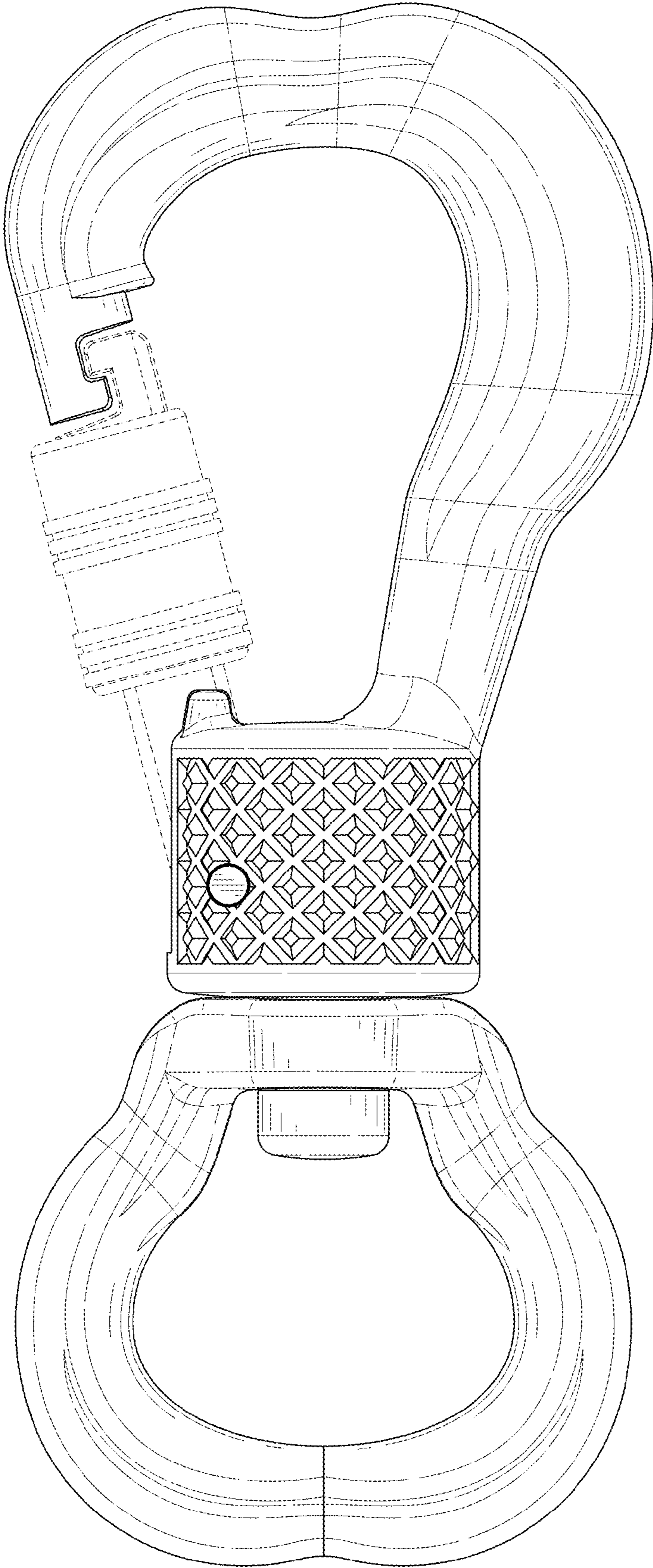


FIG. 4

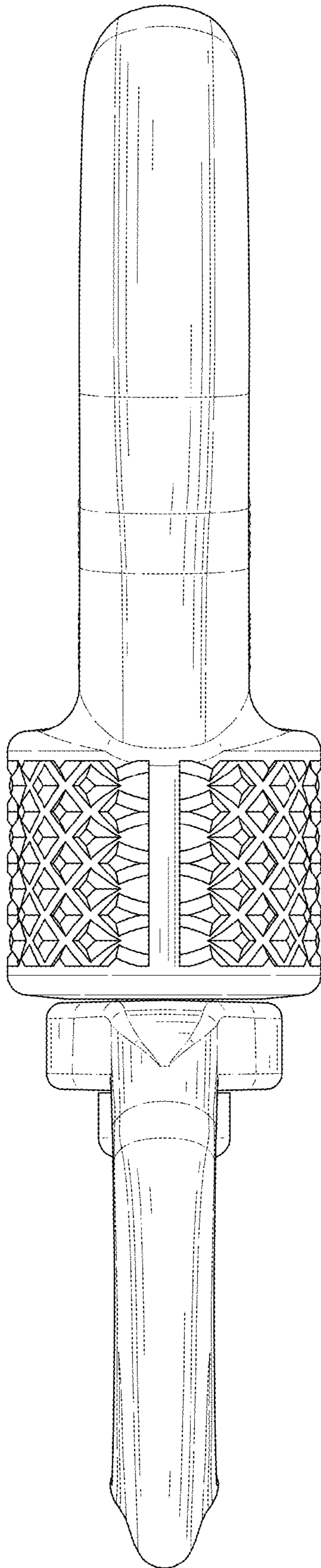


FIG. 5

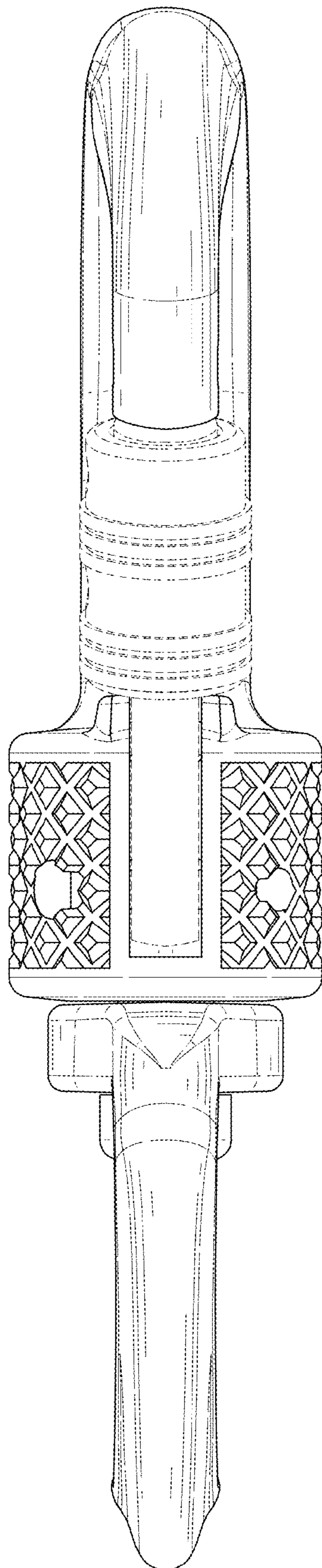


FIG. 6

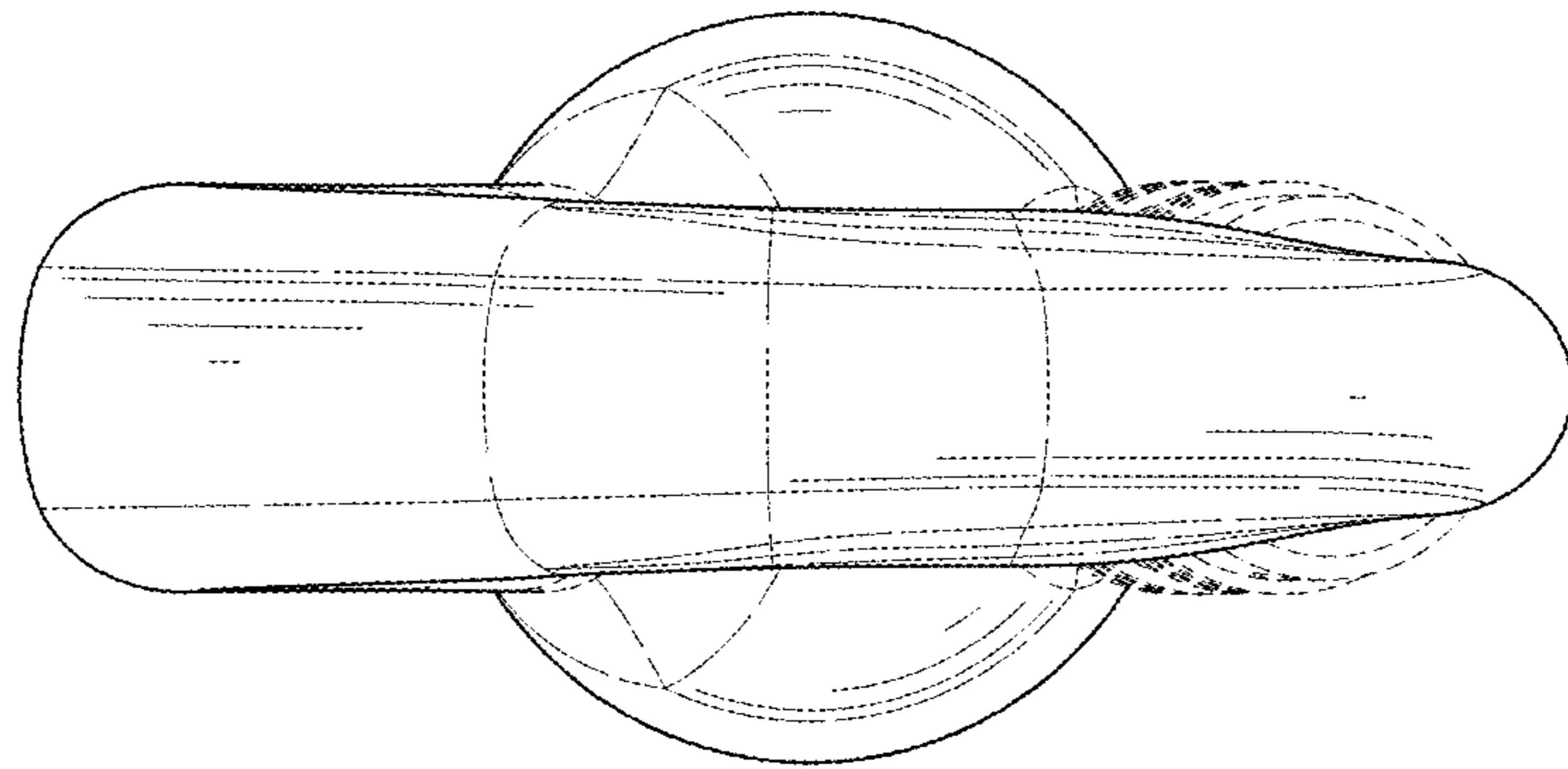


FIG. 7



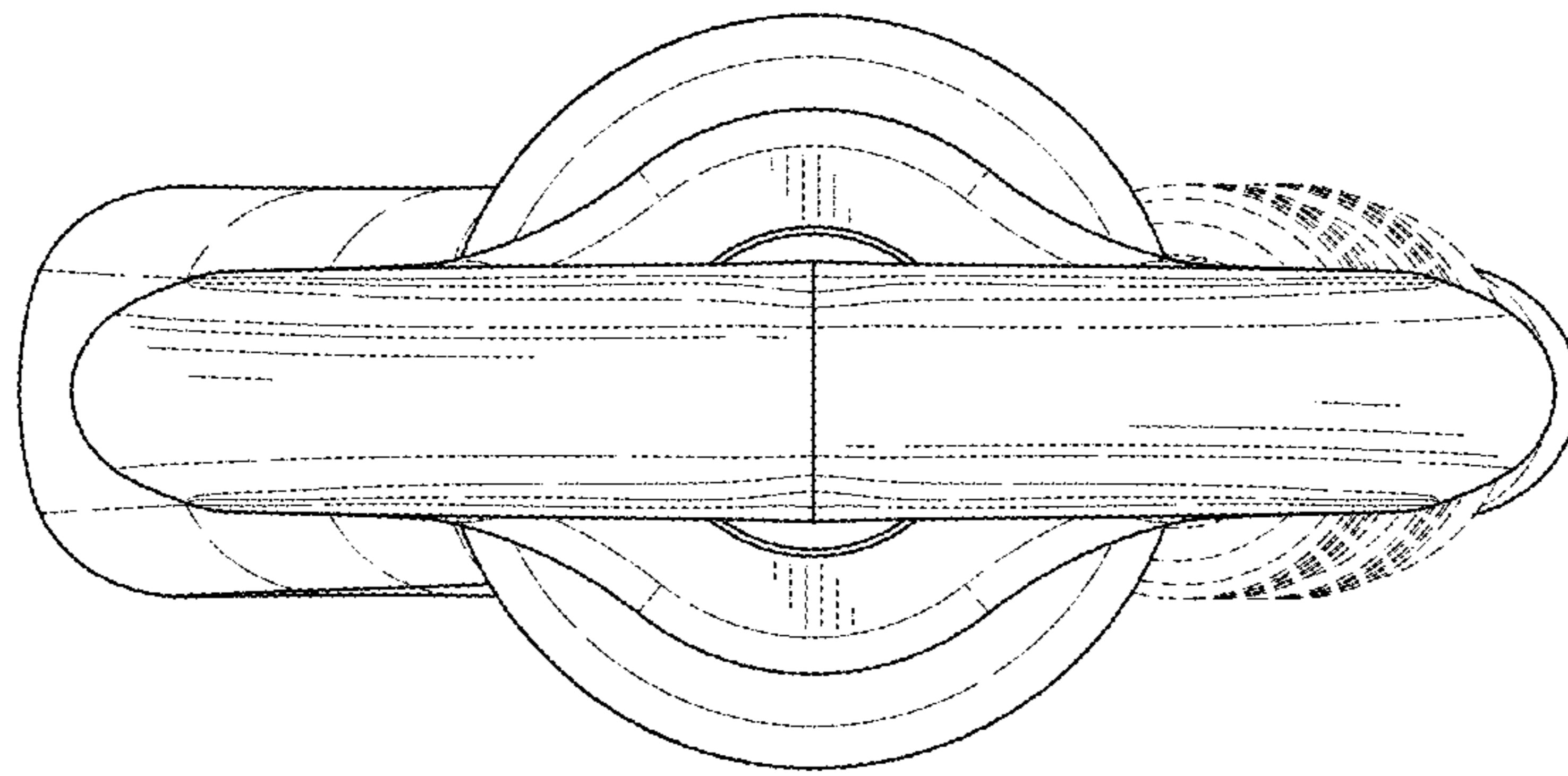


FIG. 8