



US00D972397S

(12) **United States Design Patent**  
**Pan**

(10) **Patent No.:** **US D972,397 S**

(45) **Date of Patent:** **\*\* Dec. 13, 2022**

(54) **UMBRELLA COLUMN JOINT COMPONENT**

FOREIGN PATENT DOCUMENTS

(71) Applicant: **LINHAI DONGCHENG**  
**UMBRELLA ACCESSORIES**  
**FACTORY, Linhai (CN)**

JP D1461699 \* 2/2013  
NZ 27282-0001 \* 12/1995

(72) Inventor: **Ranchen Pan, Linhai (CN)**

OTHER PUBLICATIONS

(73) Assignee: **LINHAI DONGCHENG**  
**UMBRELLA ACCESSORIES**  
**FACTORY, Linhai (CN)**

Amazon.com, Site visited May 11, 2022, Short Arm Wall Mount Bracket by visiPower, first available Jul. 31, 2018, <https://www.amazon.com/DS-1618ZJ-Indoor-Outdoor-Bracket-Hikvision/dp/B01AHZQP38> (Year: 2018).\*

(\*\*) Term: **15 Years**

Amazon.com, Site visited May 11, 2022, 90 Degree L Shape Slip Fitter Bracket by huangweiting, First available Dec. 23, 2019, <https://www.amazon.com/Degree-Fitter-Adaptor-Bracket-Fixture/dp/B0832LSDNZ> (Year: 2019).\*

(21) Appl. No.: **29/752,543**

\* cited by examiner

(22) Filed: **Sep. 28, 2020**

(51) **LOC (13) Cl.** ..... **08-11**

*Primary Examiner* — Brett Miller

(52) **U.S. Cl.**

*Assistant Examiner* — Jessica M Gebhart

USPC ..... **D8/367; D3/10**

(74) *Attorney, Agent, or Firm* — Nitin Kaushik

(58) **Field of Classification Search**

(57) **CLAIM**

USPC ..... D3/5-17; D8/354, 367-368, 370, 373;  
D6/320-323, 553, 563-567

The ornamental design for an umbrella column joint component, as shown and described.

CPC ..... A45B 23/00; A45B 17/00; A45B 25/14;  
A45B 25/10; A45B 19/04; A45B 19/00

See application file for complete search history.

**DESCRIPTION**

(56) **References Cited**

U.S. PATENT DOCUMENTS

1,147,355	A	*	7/1915	Zevin	.....	A47H 1/13 248/257
D70,688	S	*	7/1926	Jordan	.....	D6/323
D99,440	S	*	4/1936	Levy	.....	D8/367
D287,816	S	*	1/1987	Chasen	.....	D8/367
D289,255	S	*	4/1987	Chasen	.....	D8/367
D390,014	S	*	2/1998	Ho	.....	D8/367
D680,804	S	*	4/2013	Gilboe	.....	D7/367
D831,471	S	*	10/2018	Kim	.....	D8/367
10,648,492	B2	*	5/2020	Hanley	.....	A47H 1/142
D941,663	S	*	1/2022	Lazarini	.....	D8/367

FIG. 1 is a perspective view of an umbrella column joint component showing my new design;

FIG. 2 is a front elevational view thereof;

FIG. 3 is a rear elevational view thereof;

FIG. 4 is a left side elevational view thereof;

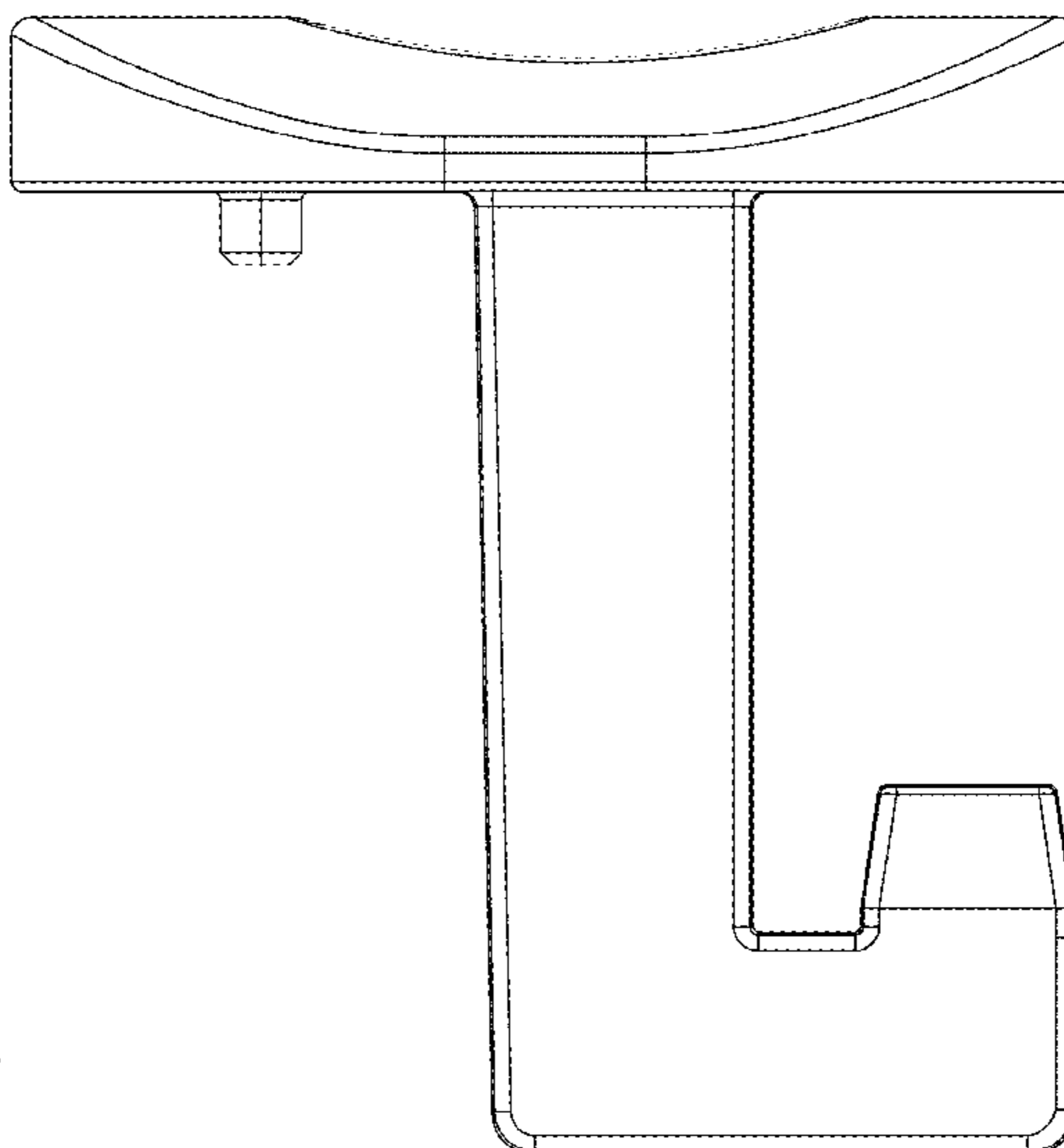
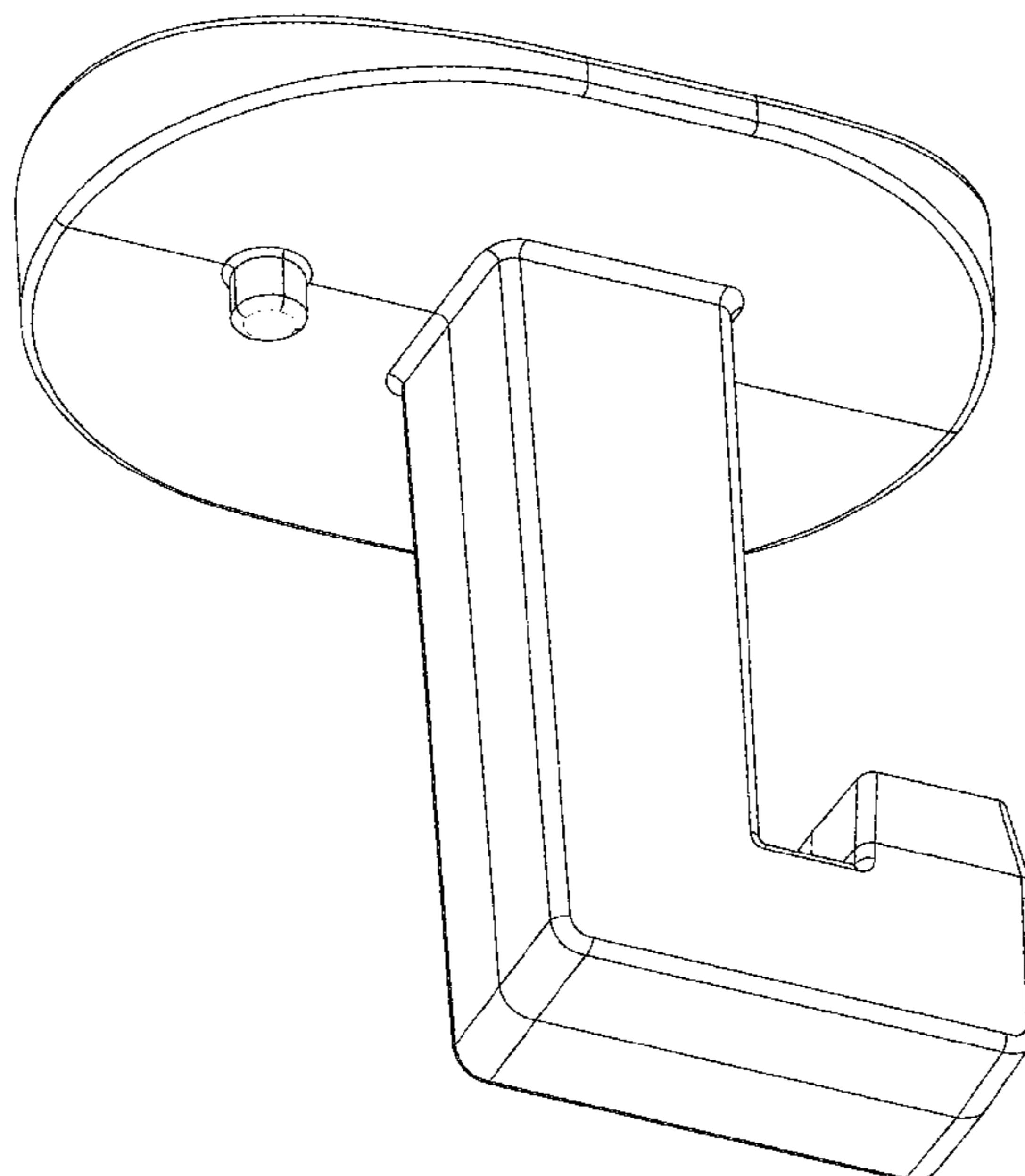
FIG. 5 is a right side elevational view thereof;

FIG. 6 is a top plan view thereof; and,

FIG. 7 is a bottom plan view thereof.

The broken lines in the drawings depict portions of the umbrella column joint component that form no part of the claimed design.

**1 Claim, 7 Drawing Sheets**



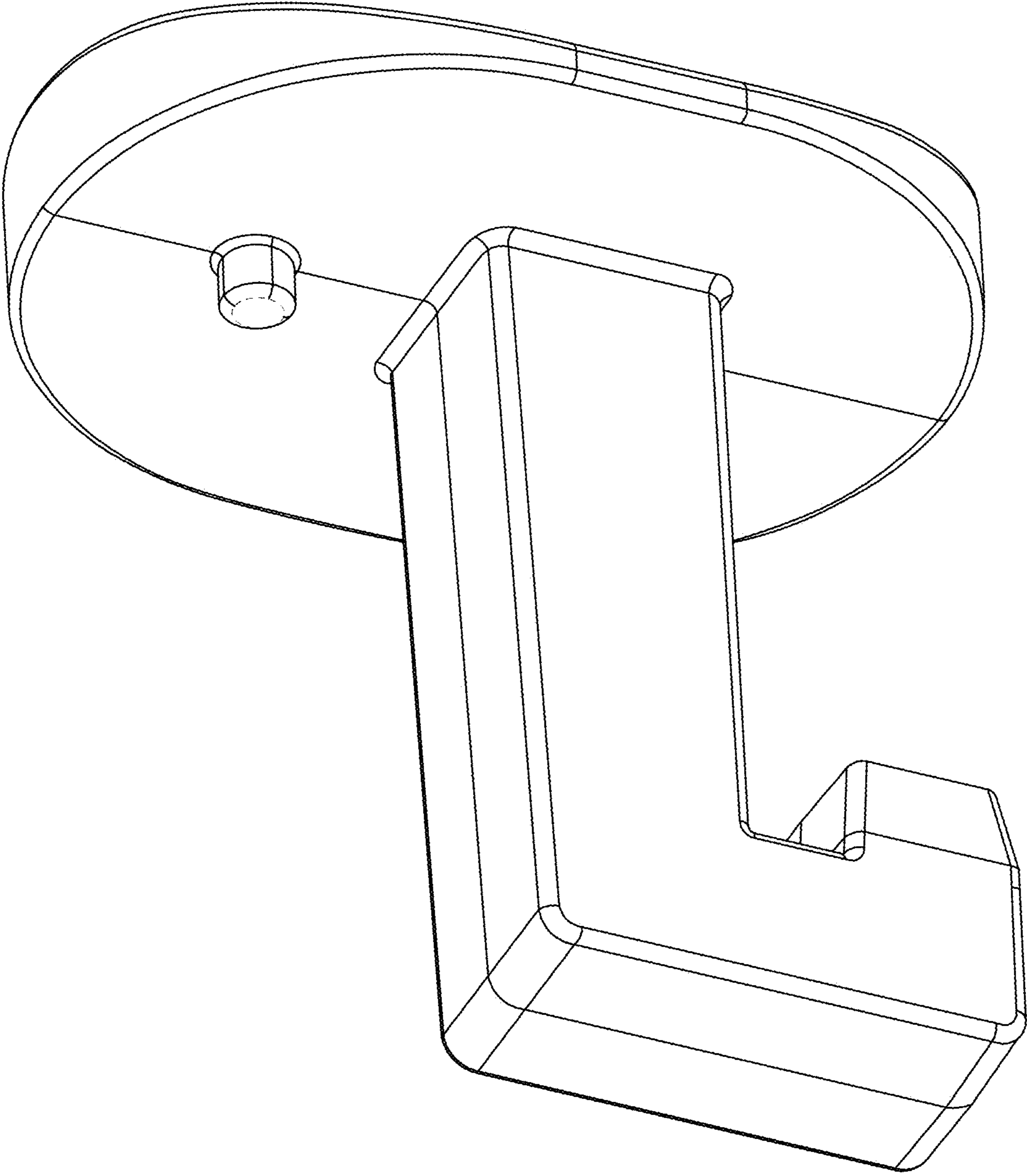


FIG. 1

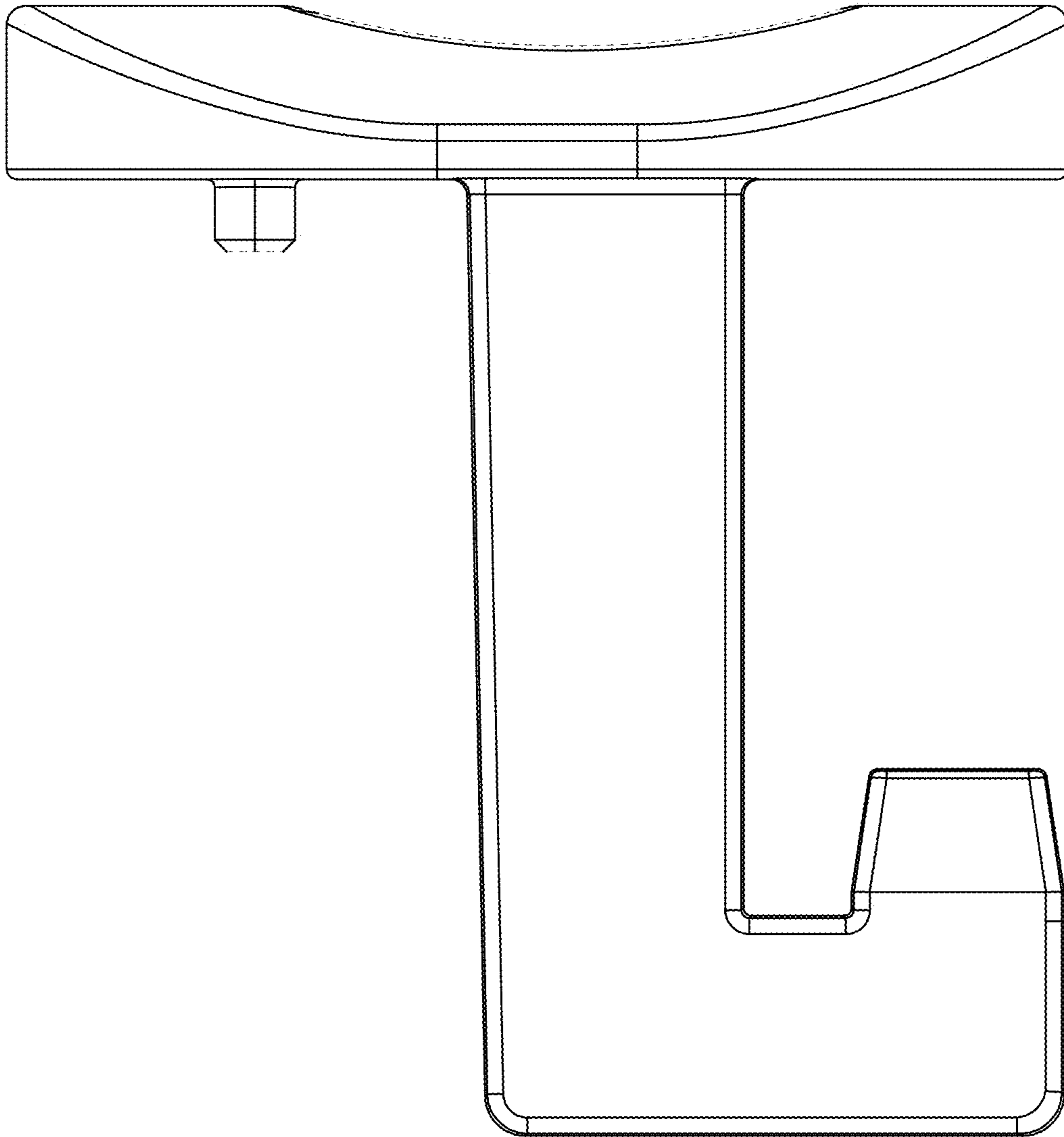


FIG. 2

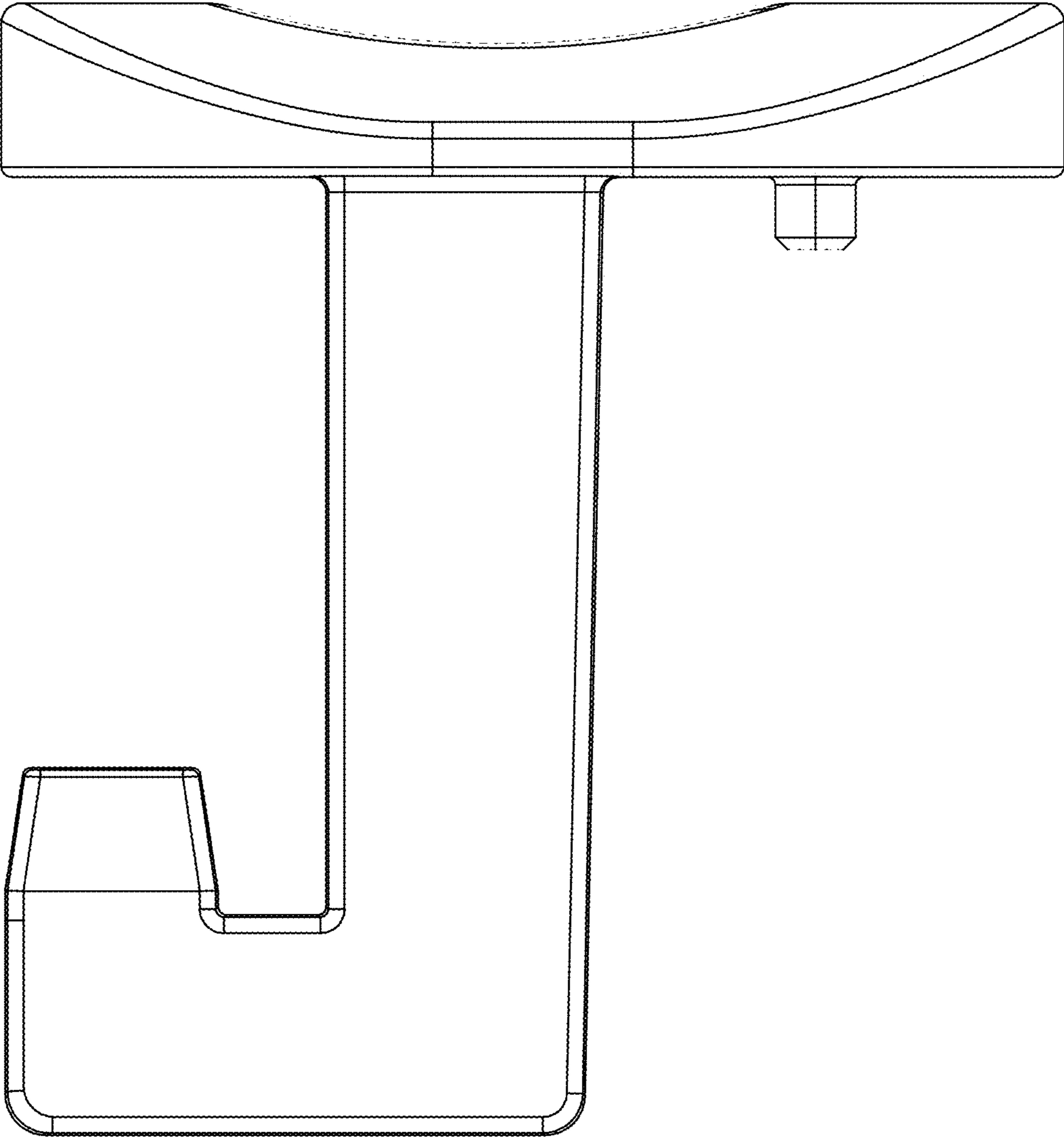


FIG. 3

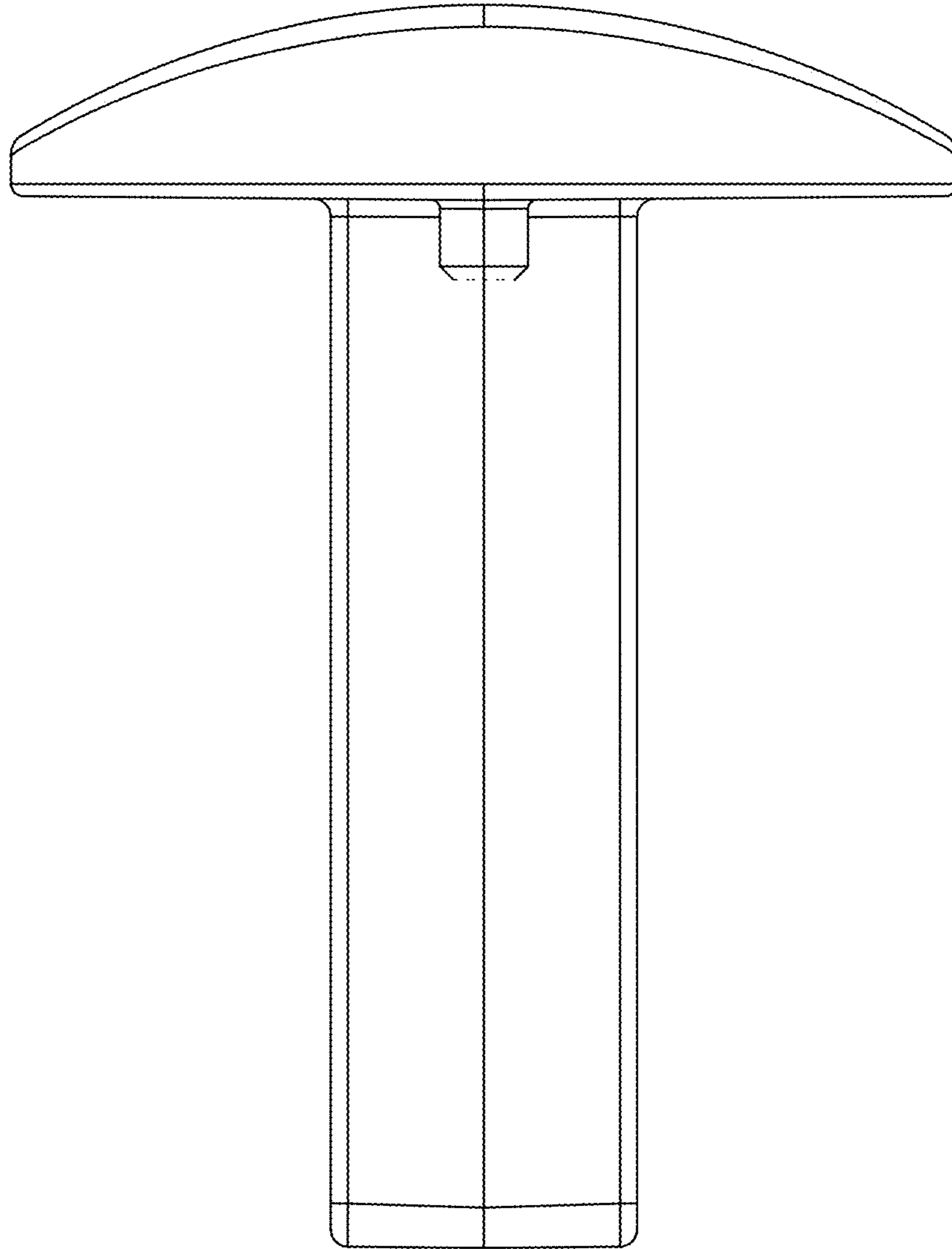


FIG. 4

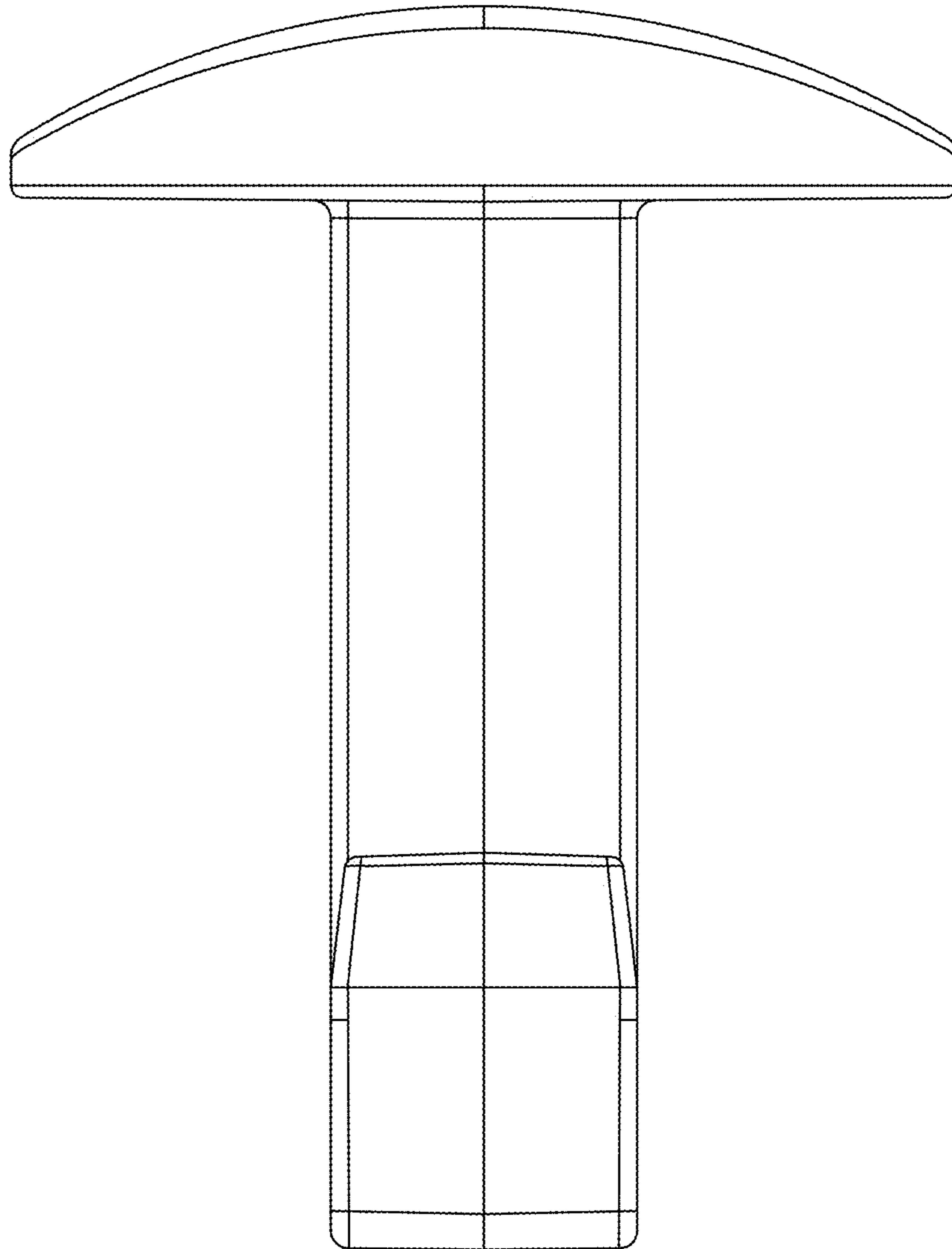


FIG. 5

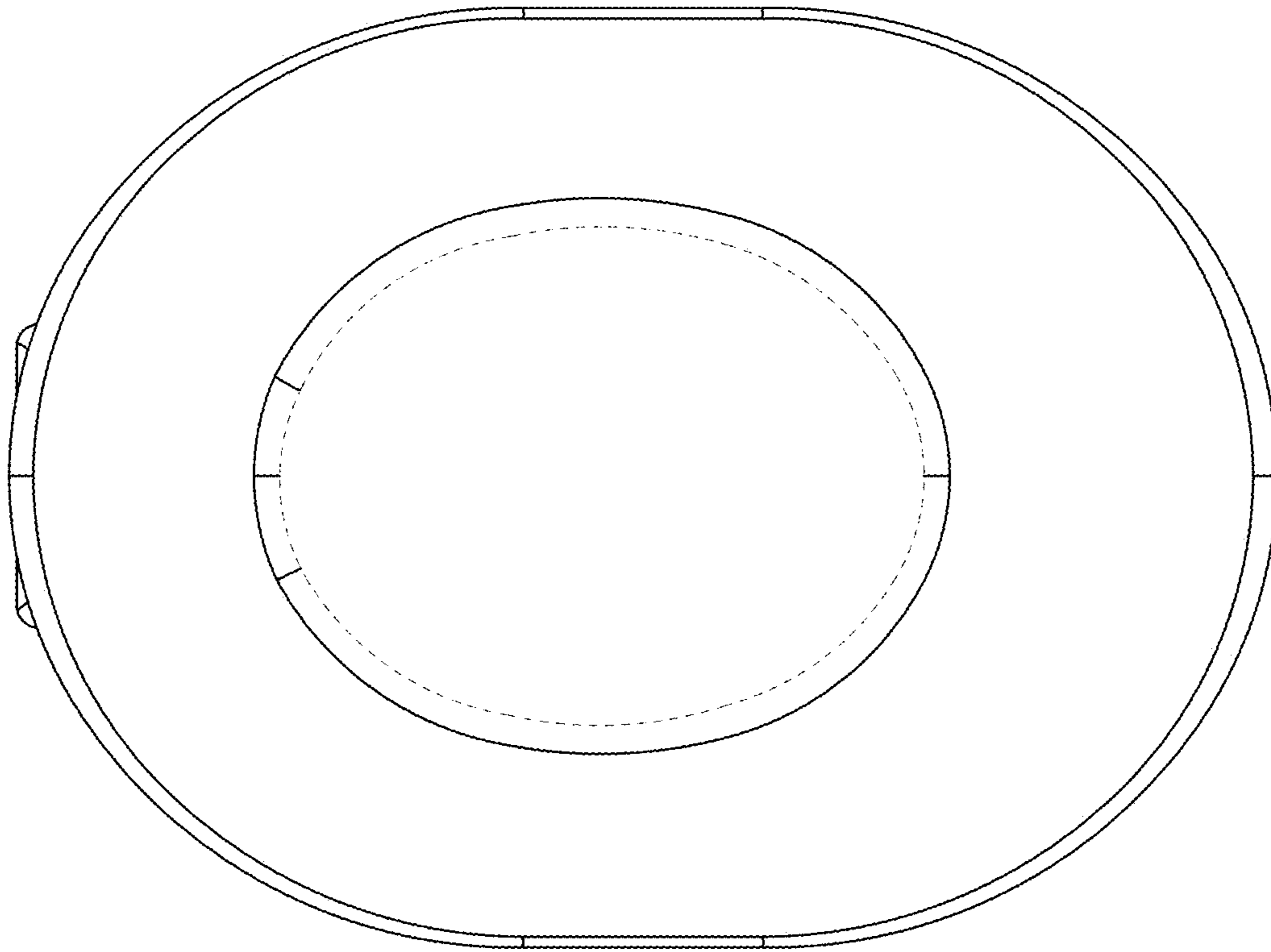


FIG. 6

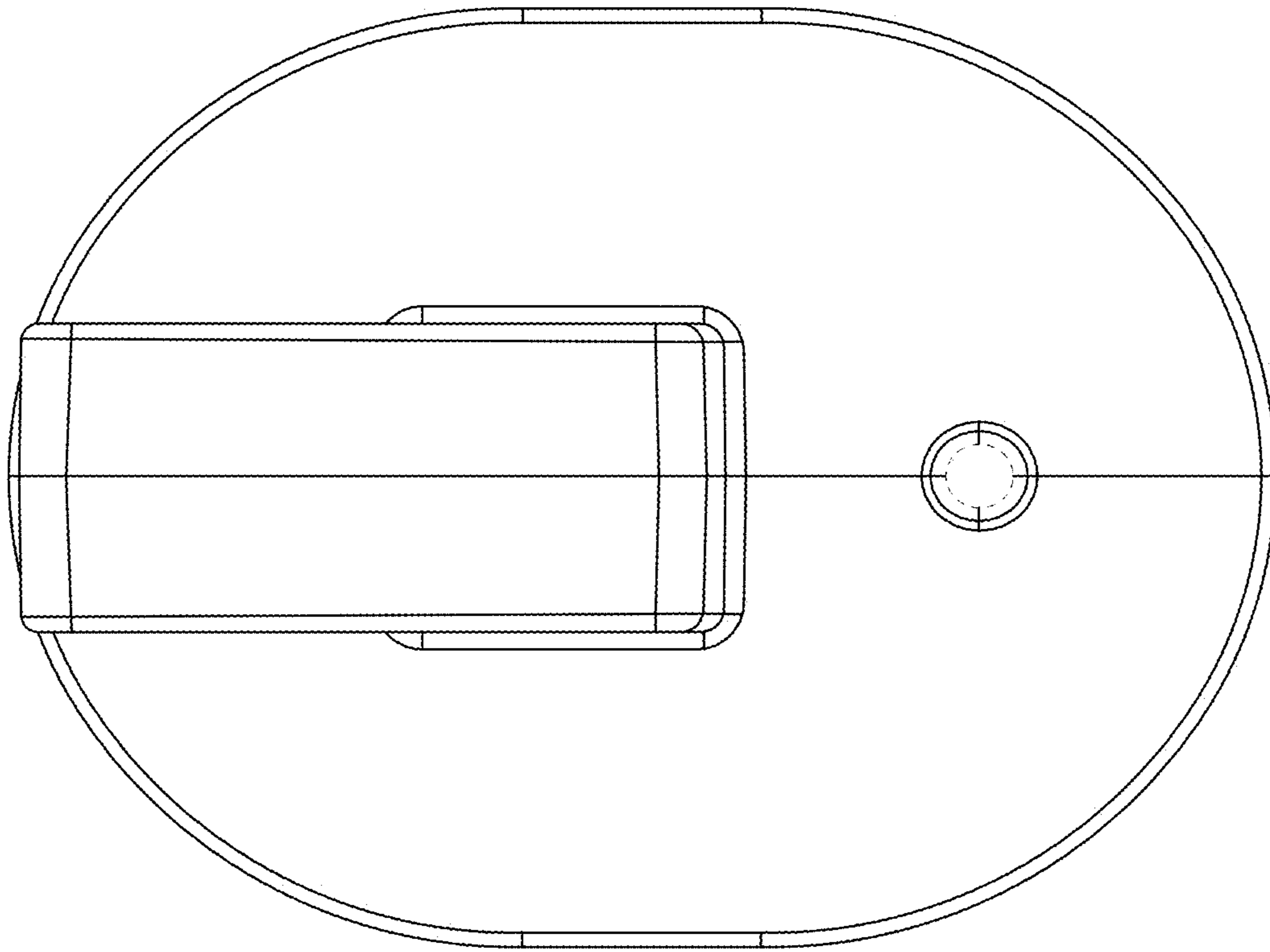


FIG. 7