



US00D972393S

(12) **United States Design Patent** (10) **Patent No.:** **US D972,393 S**  
**Karlsson** (45) **Date of Patent:** **\*\* Dec. 13, 2022**

- (54) **FASTENING DEVICE**
- (71) Applicant: **Troax AB**, Hillerstorp (SE)
- (72) Inventor: **Adam Karlsson**, Åsenhöga (SE)
- (73) Assignee: **Troax AB**, Hillerstorp (SE)
- (\*\*) Term: **15 Years**
- (21) Appl. No.: **29/820,941**
- (22) Filed: **Dec. 26, 2021**

**Related U.S. Application Data**

- (62) Division of application No. 35/510,635, filed on Oct. 13, 2020 (U.S. filing date under 35 U.S.C. 384), and having an international filing date of Oct. 13, 2020, now Pat. No. Des. 953,853.
- (51) **LOC (13) Cl.** ..... **08-05**
- (52) **U.S. Cl.**  
USPC ..... **D8/354**; D8/349
- (58) **Field of Classification Search**  
USPC ..... D8/349, 354, 371, 380, 382  
CPC ..... E04C 5/168; E04C 5/20  
See application file for complete search history.

**References Cited**

**U.S. PATENT DOCUMENTS**

|            |   |         |             |       |        |
|------------|---|---------|-------------|-------|--------|
| D364,794 S | * | 12/1995 | Eberschlag  | ..... | D8/354 |
| D486,791 S |   | 2/2004  | Franks, Jr. |       |        |
| D487,427 S |   | 3/2004  | Franks, Jr. |       |        |
| D508,676 S |   | 8/2005  | Franks, Jr. |       |        |
| D535,985 S |   | 1/2007  | Sergi       |       |        |
| D545,304 S |   | 6/2007  | Sergi       |       |        |
| D556,015 S |   | 11/2007 | Muchnik     |       |        |
| D558,039 S |   | 12/2007 | Skinner     |       |        |
| D558,041 S |   | 12/2007 | Skinner     |       |        |
| D586,201 S |   | 2/2009  | Day         |       |        |
| D595,115 S |   | 6/2009  | Royer       |       |        |

|            |         |                |                      |
|------------|---------|----------------|----------------------|
| D646,955 S | 10/2011 | Sanders        |                      |
| D649,015 S | 11/2011 | Honda          |                      |
| D660,133 S | 5/2012  | Yoder          |                      |
| D701,108 S | 3/2014  | Rodgers        |                      |
| D702,532 S | 4/2014  | Garrido et al. |                      |
| D732,373 S | 6/2015  | Wagner         |                      |
| D732,374 S | 6/2015  | Herbertsson    |                      |
| D732,929 S | 6/2015  | Harrow         |                      |
| D737,664 S | 9/2015  | Kobayashi      |                      |
| D742,720 S | 11/2015 | Perry et al.   |                      |
| D747,954 S | 1/2016  | Maeda          |                      |
| D764,894 S | 8/2016  | Pernu et al.   |                      |
| D767,370 S | 9/2016  | Yato et al.    |                      |
| D768,466 S | 10/2016 | Simmons et al. |                      |
| D775,512 S | 1/2017  | White          |                      |
| D780,557 S | 3/2017  | Foley et al.   |                      |
| D781,681 S | 3/2017  | Nagaki et al.  |                      |
| D815,042 S | 4/2018  | Jenrich        |                      |
| D819,428 S | 6/2018  | Ng et al.      |                      |
| D820,665 S | 6/2018  | Dedios-Shirley |                      |
| D829,079 S | 9/2018  | Halling        |                      |
| D845,116 S | *       | 4/2019         | Wokutch ..... D8/380 |

(Continued)

*Primary Examiner* — Keli L Hill  
*Assistant Examiner* — Harold E Blackwell, II  
(74) *Attorney, Agent, or Firm* — Tucker Ellis LLP

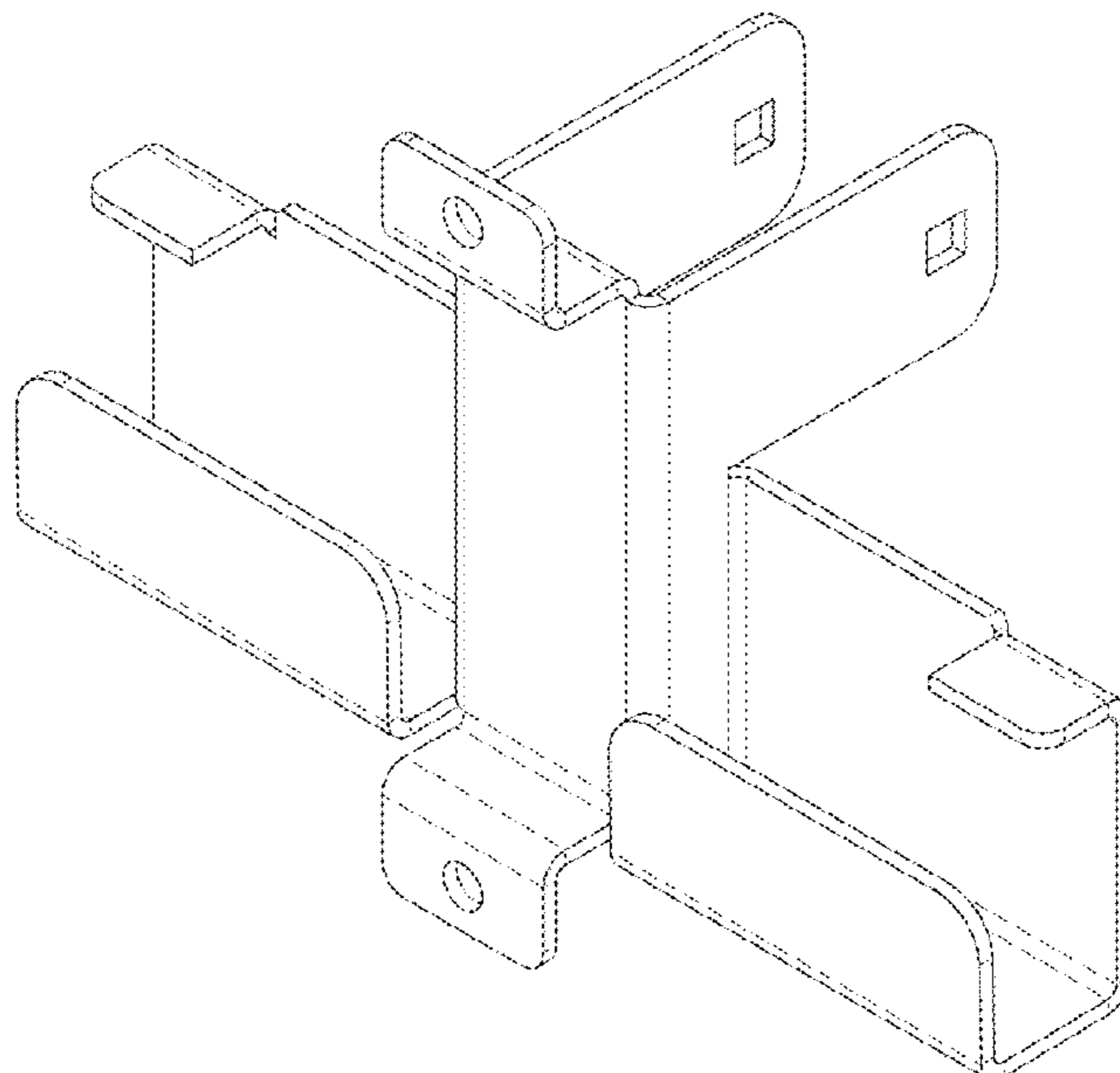
(57) **CLAIM**

The ornamental design for a fastening device, as shown and described.

**DESCRIPTION**

FIG. 1 is a front, left and top perspective view of a fastening device embodying my new design;  
FIG. 2 is a front view thereof;  
FIG. 3 is a right side view thereof;  
FIG. 4 is a left side view thereof;  
FIG. 5 is a rear view thereof;  
FIG. 6 is a top view thereof; and,  
FIG. 7 is a bottom view thereof.

**1 Claim, 7 Drawing Sheets**



(56)

**References Cited**

## U.S. PATENT DOCUMENTS

|            |      |         |                              |            |
|------------|------|---------|------------------------------|------------|
| D848,819   | S    | 5/2019  | French                       |            |
| D853,377   | S    | 7/2019  | Crandon et al.               |            |
| D856,784   | S    | 8/2019  | Zeilinger                    |            |
| D858,255   | S    | 9/2019  | Fox                          |            |
| D859,957   | S    | 9/2019  | Flederbach et al.            |            |
| D860,762   | S    | 9/2019  | Gibson                       |            |
| D860,763   | S    | 9/2019  | Allen et al.                 |            |
| D860,769   | S *  | 9/2019  | Wokutch .....                | D8/380     |
| D866,298   | S    | 11/2019 | Kanter                       |            |
| D867,106   | S    | 11/2019 | Blattel                      |            |
| D869,936   | S    | 12/2019 | Smith                        |            |
| 10,508,446 | B2 * | 12/2019 | Haba .....                   | F16M 13/02 |
| D872,559   | S    | 1/2020  | Harms et al.                 |            |
| D874,246   | S    | 2/2020  | Stekr                        |            |
| D874,249   | S    | 2/2020  | Stekr                        |            |
| 10,563,401 | B2 * | 2/2020  | Haba .....                   | E04B 2/763 |
| D902,015   | S    | 11/2020 | Priola                       |            |
| D903,468   | S    | 12/2020 | Gustafsson Salmonsson et al. |            |
| D906,788   | S    | 1/2021  | Ochi                         |            |
| D912,496   | S    | 3/2021  | Fox                          |            |
| D912,497   | S    | 3/2021  | Herbertsson                  |            |
| D915,180   | S    | 4/2021  | Priola                       |            |
| D925,338   | S    | 7/2021  | Dedios-Shirley et al.        |            |
| D931,711   | S    | 9/2021  | Sharma et al.                |            |
| D936,468   | S *  | 11/2021 | Bengtsson .....              | D8/382     |
| D953,853   | S *  | 6/2022  | Karlsson .....               | D8/382     |

\* cited by examiner

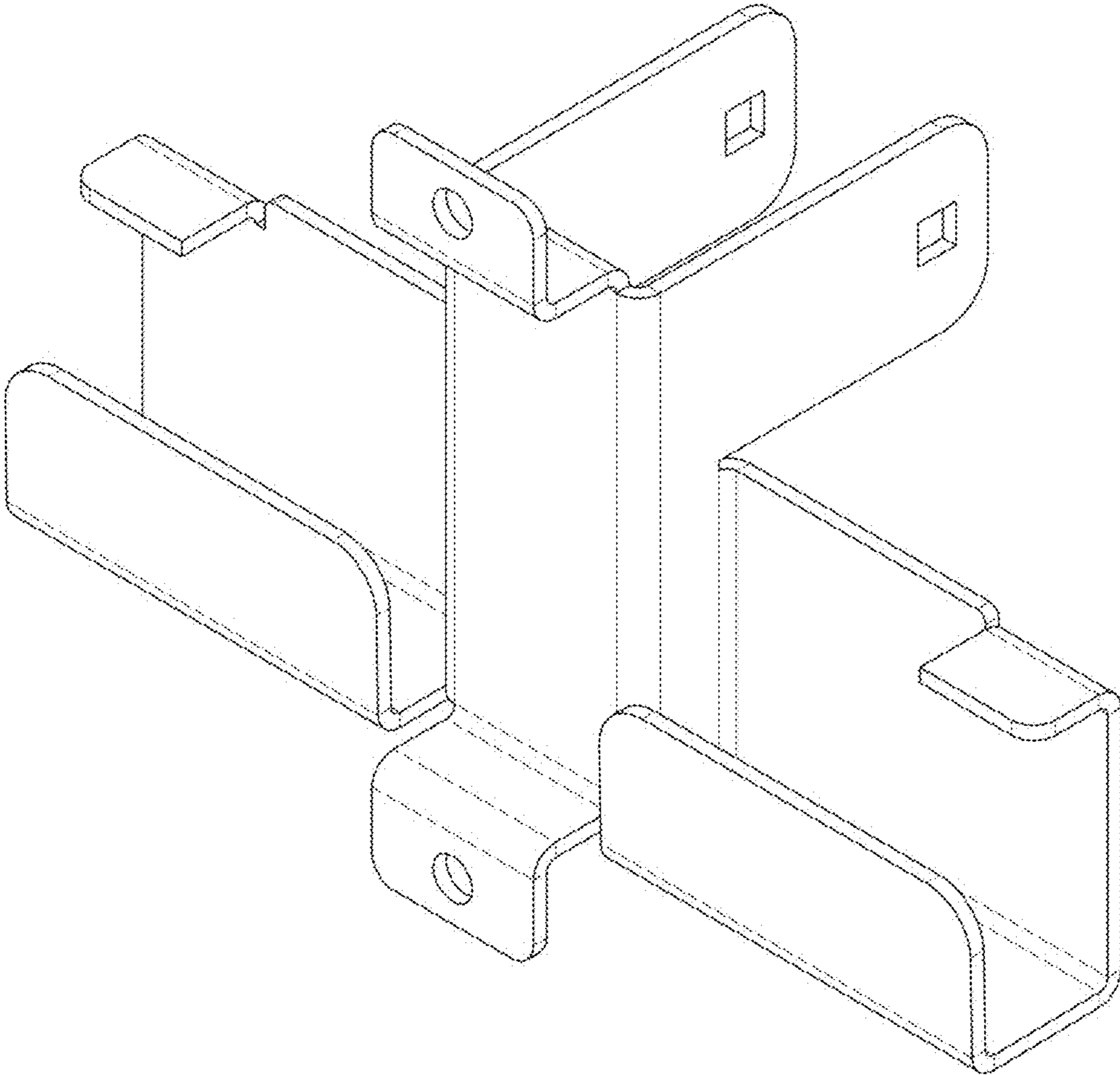


FIG. 1

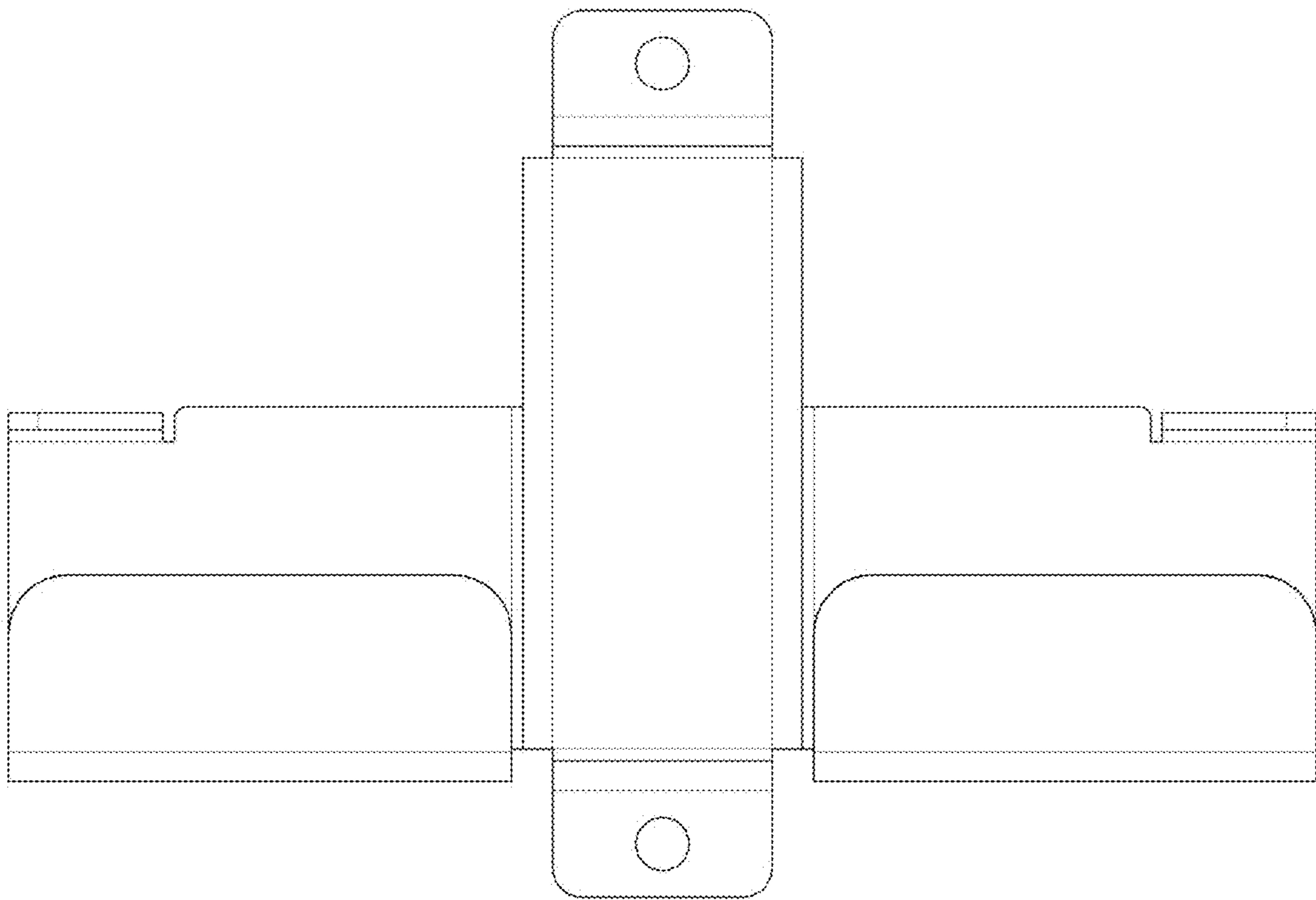


FIG. 2

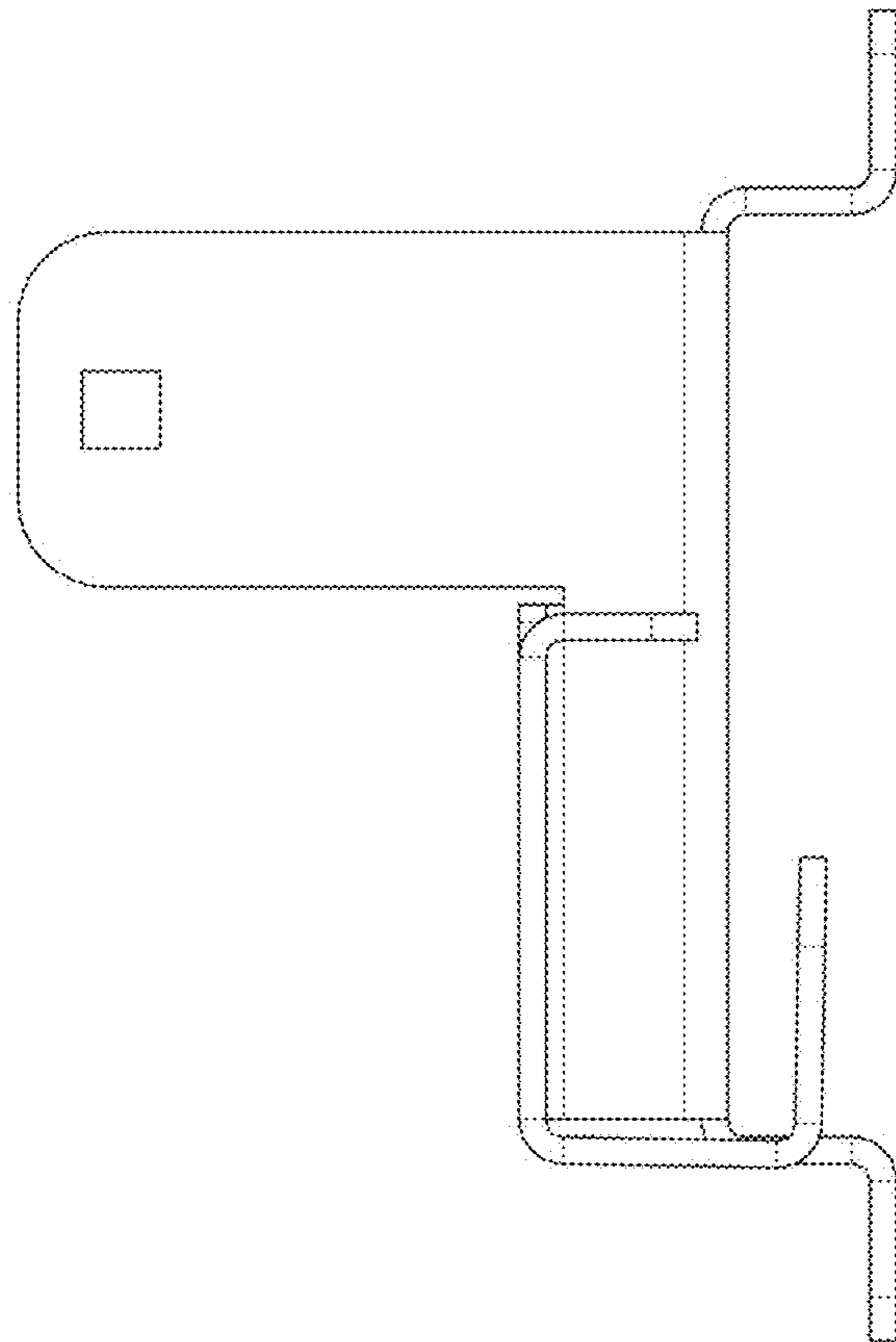


FIG. 3

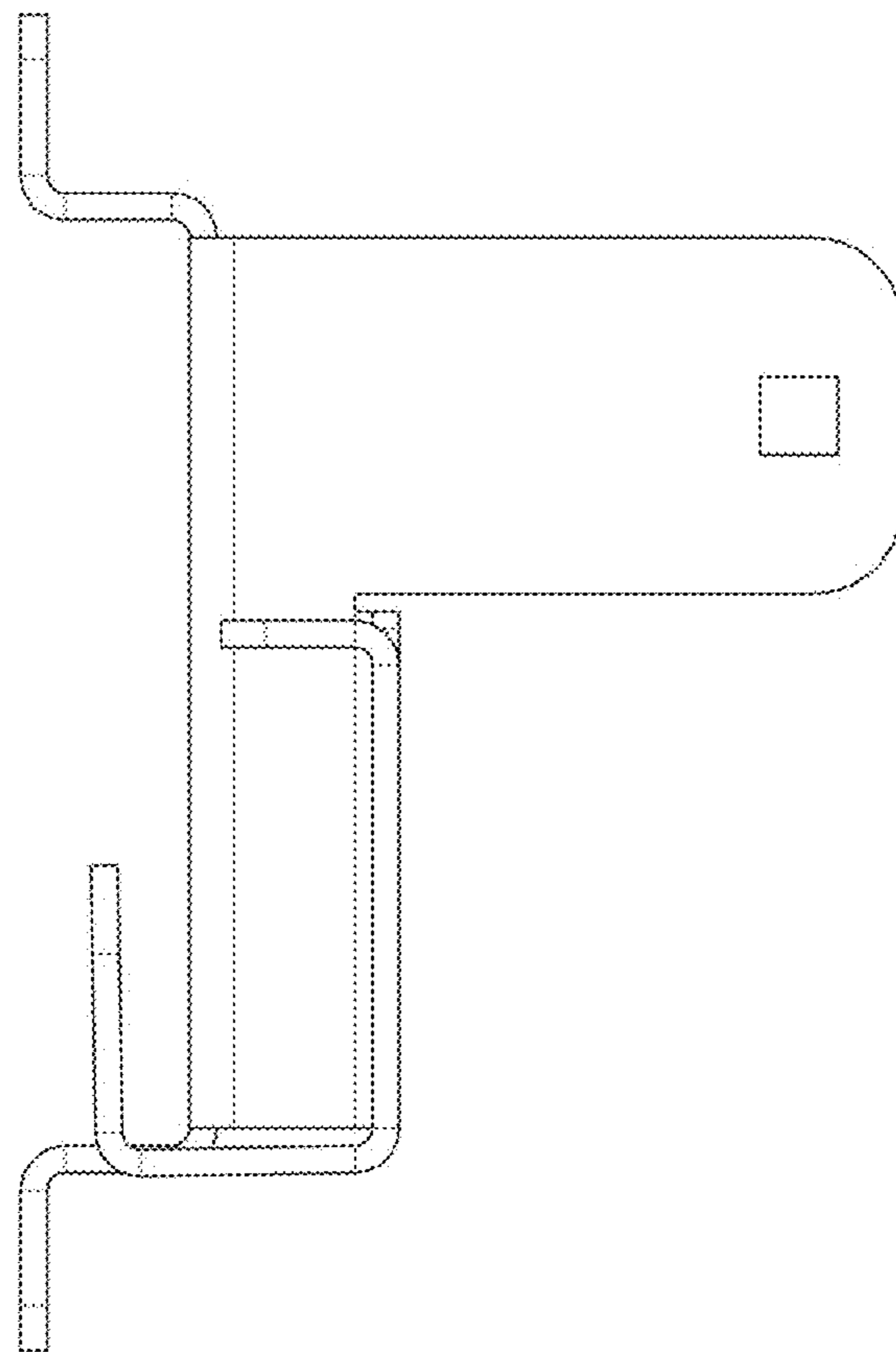


FIG. 4

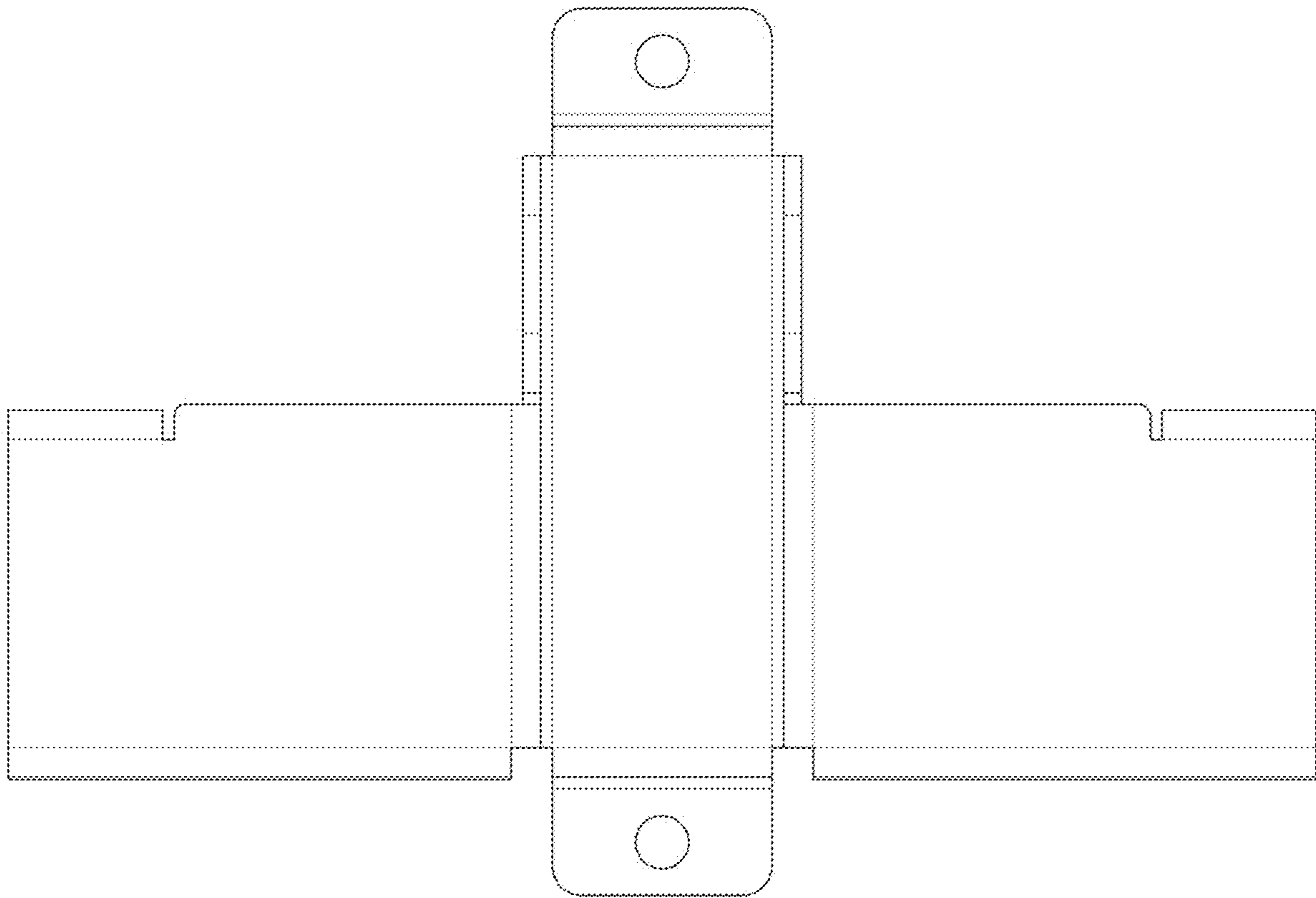


FIG. 5

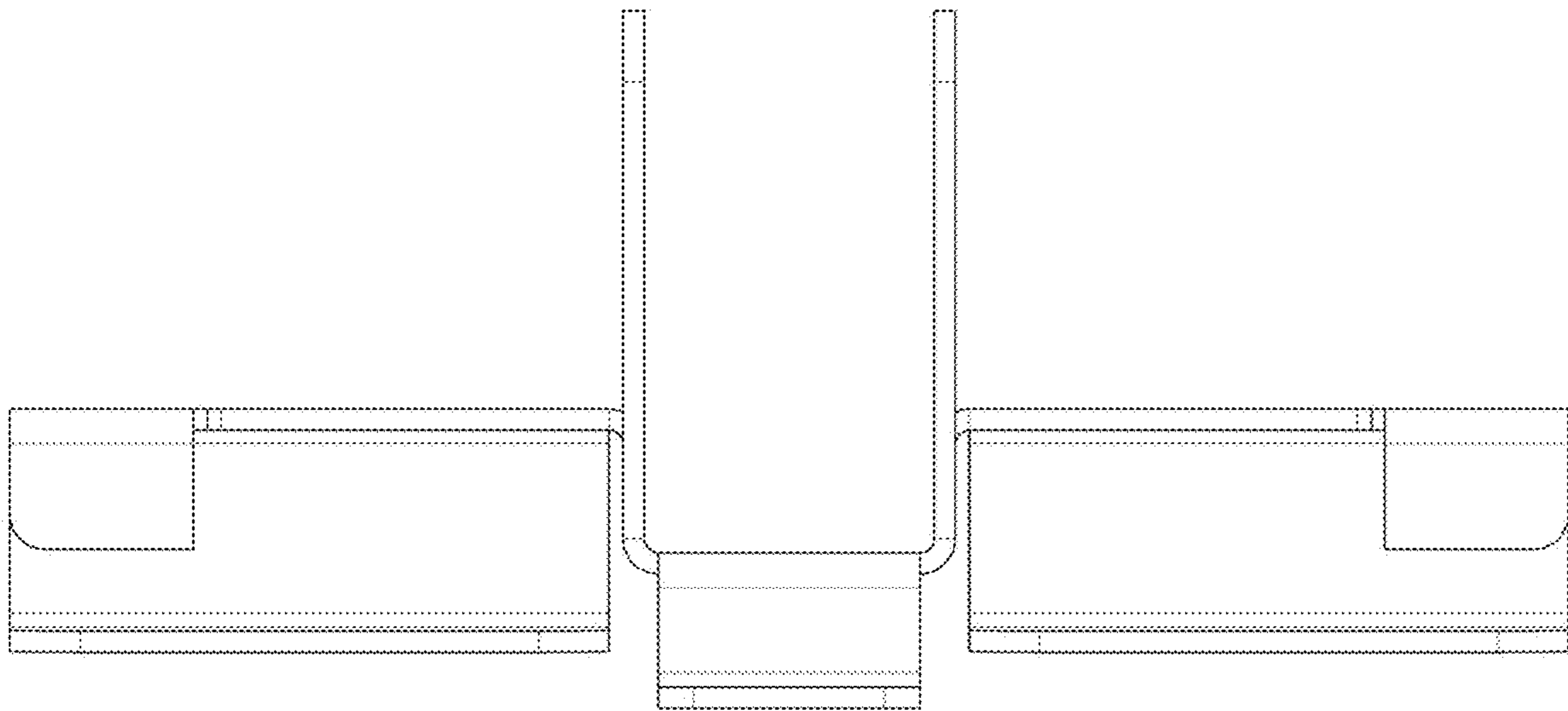


FIG. 6



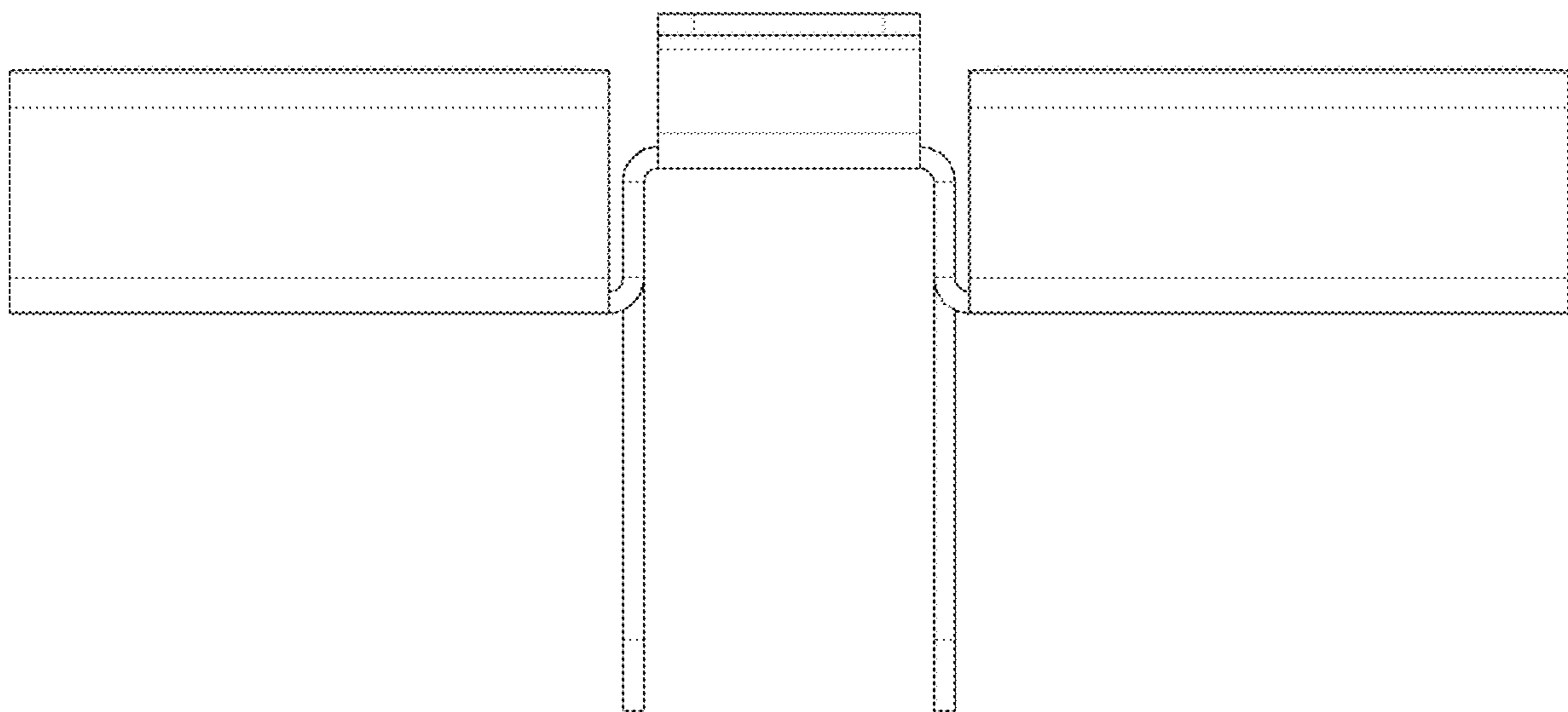


FIG. 7