



US00D972392S

(12) **United States Design Patent** (10) **Patent No.:** **US D972,392 S**
Luo (45) **Date of Patent:** **** Dec. 13, 2022**

(54) **KEY SAFE BOX**
(71) Applicant: **Yuehong Luo**, Guangdong (CN)
(72) Inventor: **Yuehong Luo**, Guangdong (CN)
(**) Term: **15 Years**
(21) Appl. No.: **29/760,919**
(22) Filed: **Dec. 4, 2020**
(51) **LOC (13) Cl.** **08-07**
(52) **U.S. Cl.**
USPC **D8/333; D8/334; D8/343**
(58) **Field of Classification Search**
USPC D8/334, 333, 343, 339, 335, 330, 331,
D8/332; D99/28, 34, 35, 36
CPC E05B 77/00; E05B 71/00; E05B 67/36;
E05B 65/00; E05B 67/063; E05B 13/10;
E05B 2047/0084; E05B 77/28; E05B
37/00; E05B 2047/0068; E05B
2047/0024; E05B 85/10; E05B 37/025;
E05B 41/00
See application file for complete search history.

D482,595 S * 11/2003 Ling D8/334
D548,043 S * 8/2007 Yang D8/334
D622,129 S * 8/2010 Spivey D8/333
D667,287 S * 9/2012 Yang D8/330
D765,489 S * 9/2016 Little D8/334
D805,509 S * 12/2017 Hua D14/334
D805,510 S * 12/2017 Hua D14/334
D862,198 S * 10/2019 Pietruck D8/331
2014/0373578 A1 * 12/2014 Chang E05B 19/0005
70/21
2017/0081881 A1 * 3/2017 Yang E05B 37/02
2019/0234113 A1 * 8/2019 Neau E05B 17/002
2020/0347642 A1 * 11/2020 Yang E05B 17/10

* cited by examiner

Primary Examiner — Marissa J Cash
Assistant Examiner — Kayla Marie Bennett
(74) *Attorney, Agent, or Firm* — Muncy, Geissler, Olds & Lowe, P.C.

(57) **CLAIM**

The ornamental design for a key safe box, as shown and described.

DESCRIPTION

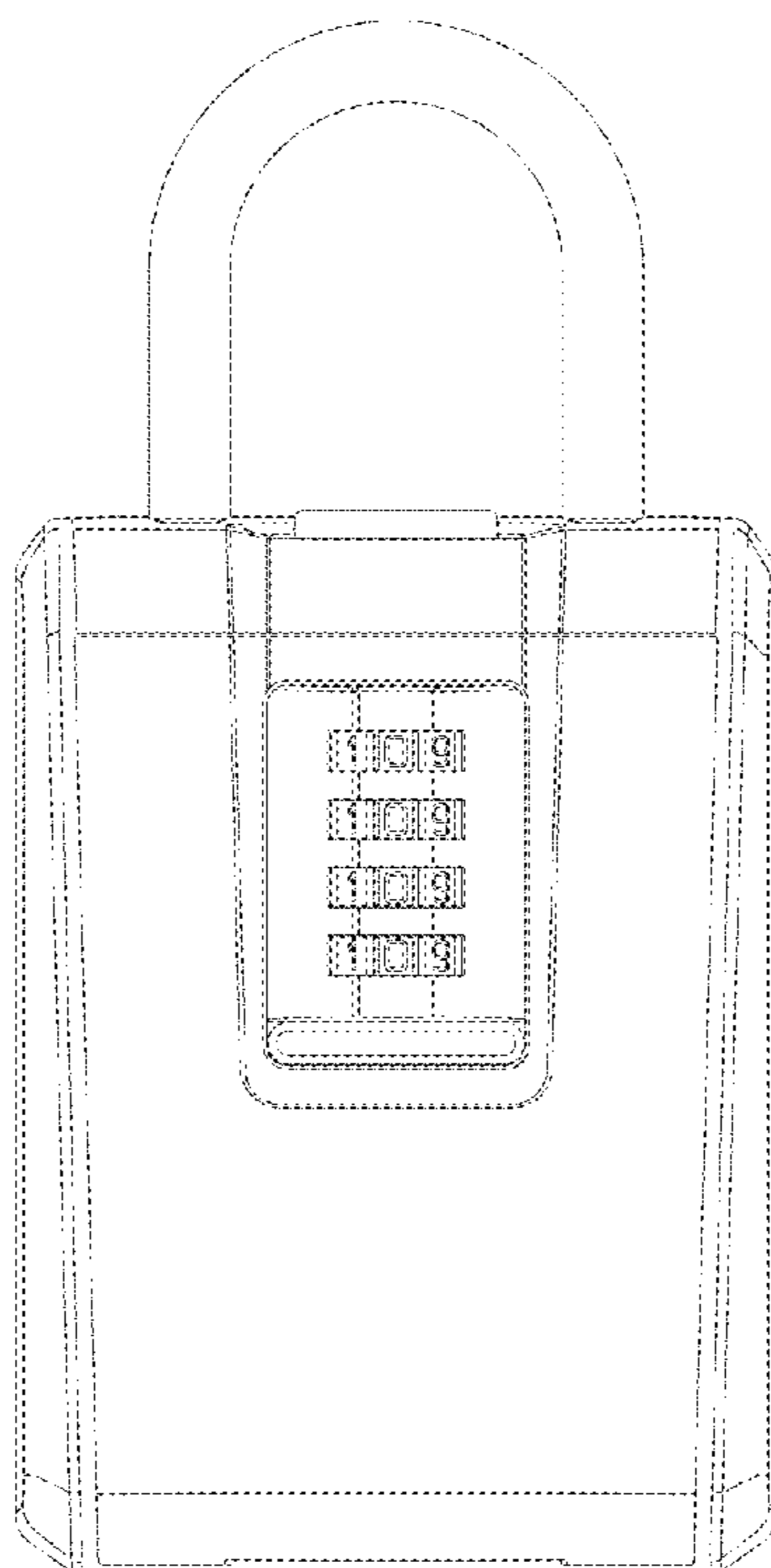
FIG. 1 is a front elevational view of a key safe box showing my new design;
FIG. 2 is a rear elevational view thereof;
FIG. 3 is a left side view thereof;
FIG. 4 is a right side view thereof;
FIG. 5 is a top plan view thereof;
FIG. 6 is a bottom plan view thereof; and,
FIG. 7 is a perspective view thereof.

1 Claim, 7 Drawing Sheets

(56) **References Cited**

U.S. PATENT DOCUMENTS

RE16,215 E * 11/1925 Tobler E05B 37/025
70/26
D262,390 S * 12/1981 Pippus D8/334
D272,292 S * 1/1984 Campbell D99/28
D379,082 S * 5/1997 Hellhake D12/423
D391,833 S * 3/1998 Wasson D8/333
D436,015 S * 1/2001 Yu D8/333
D470,746 S * 2/2003 Gast D8/346



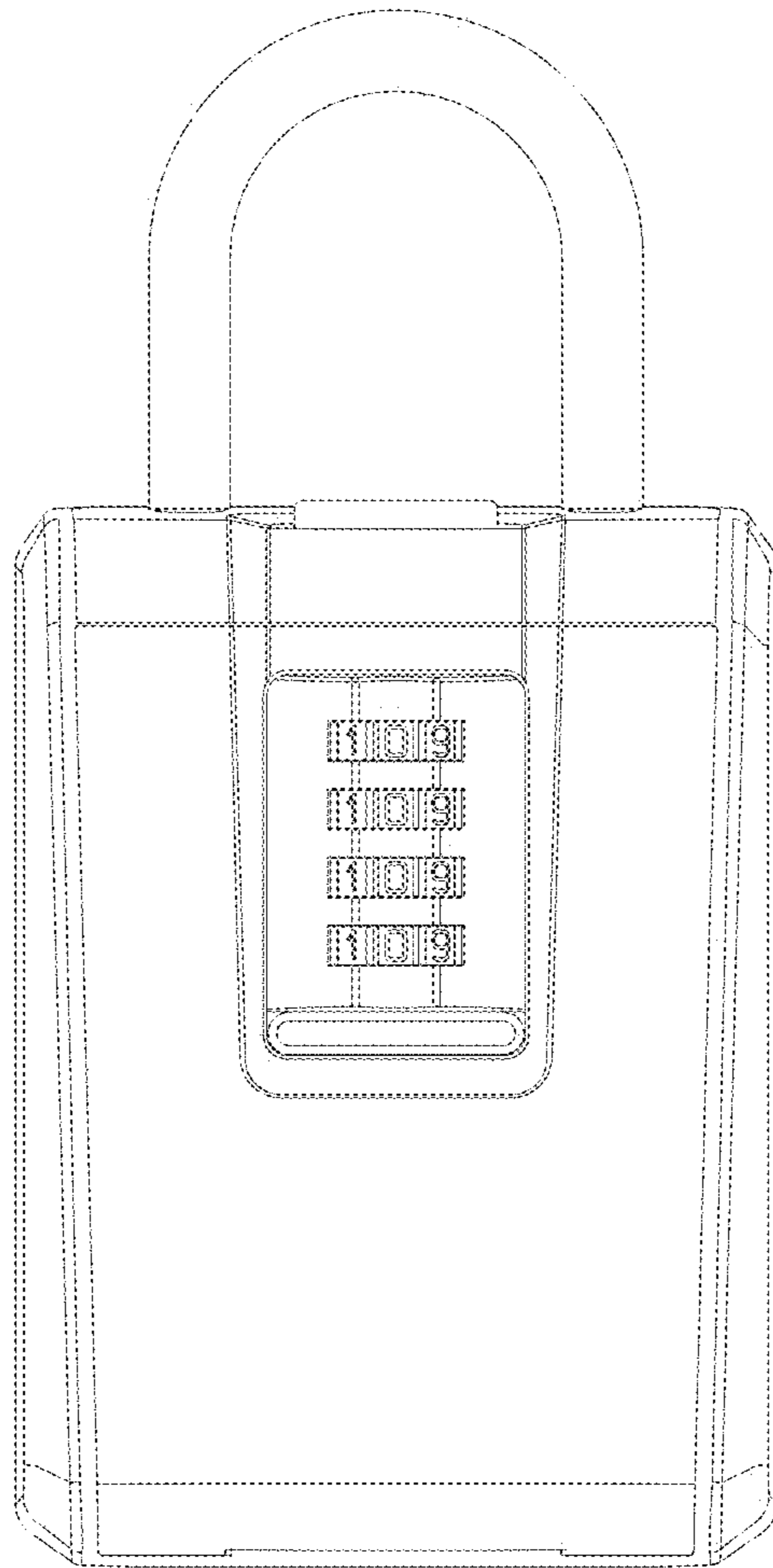


Fig. 1

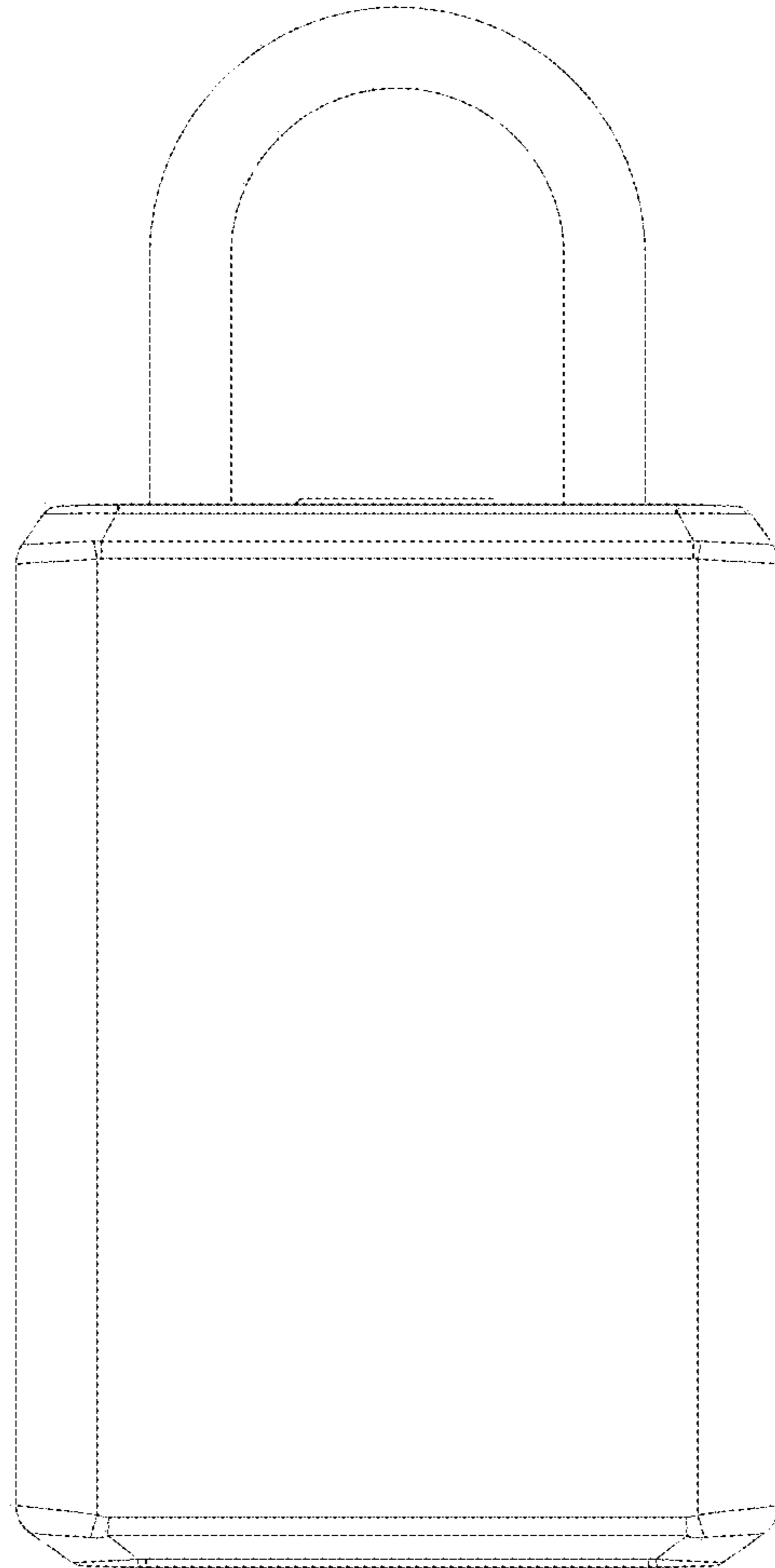


Fig. 2

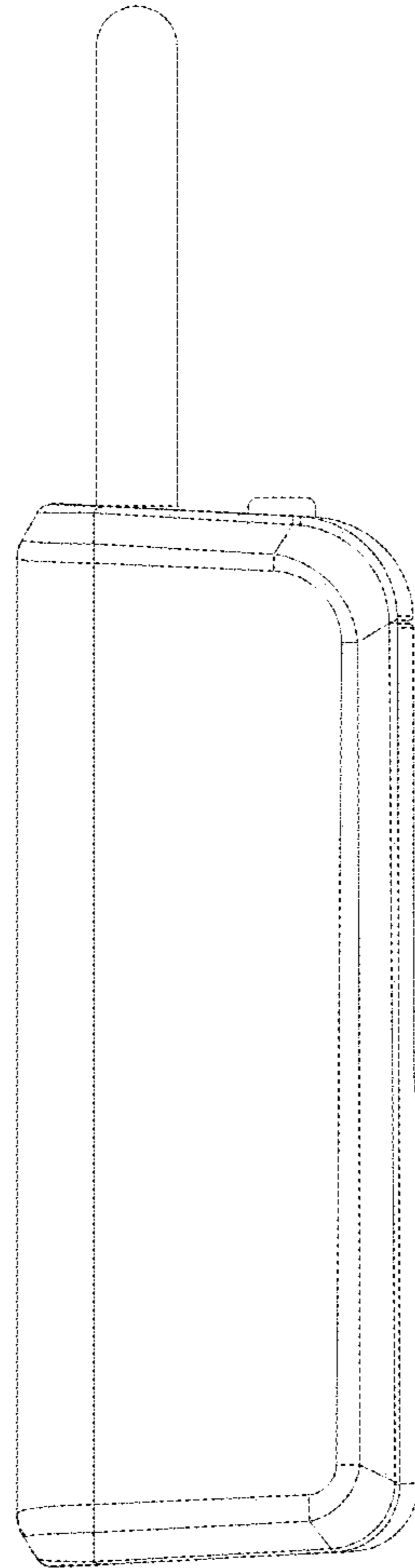


Fig. 3

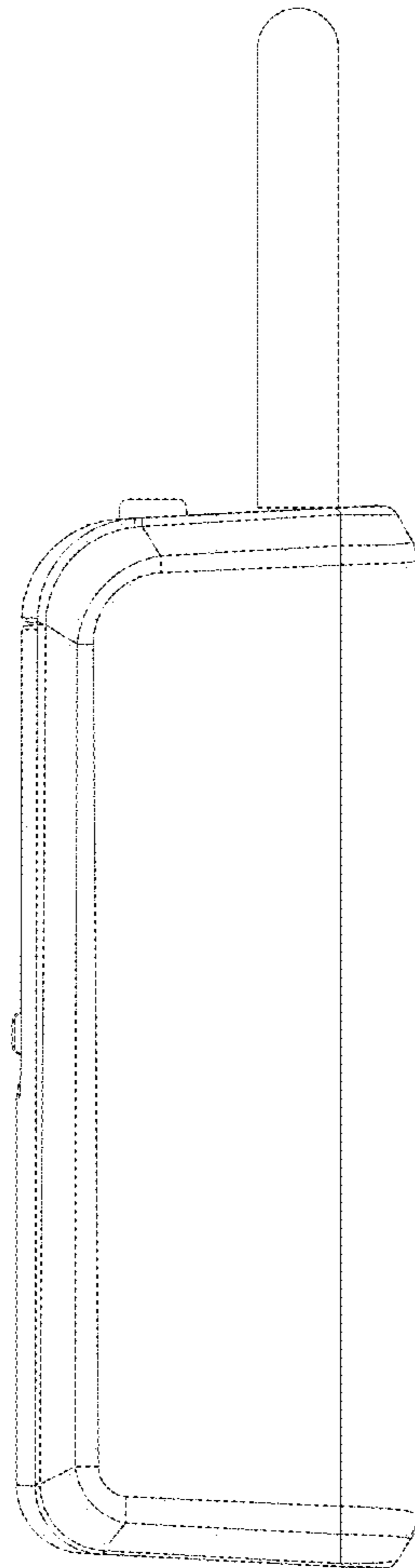


Fig. 4

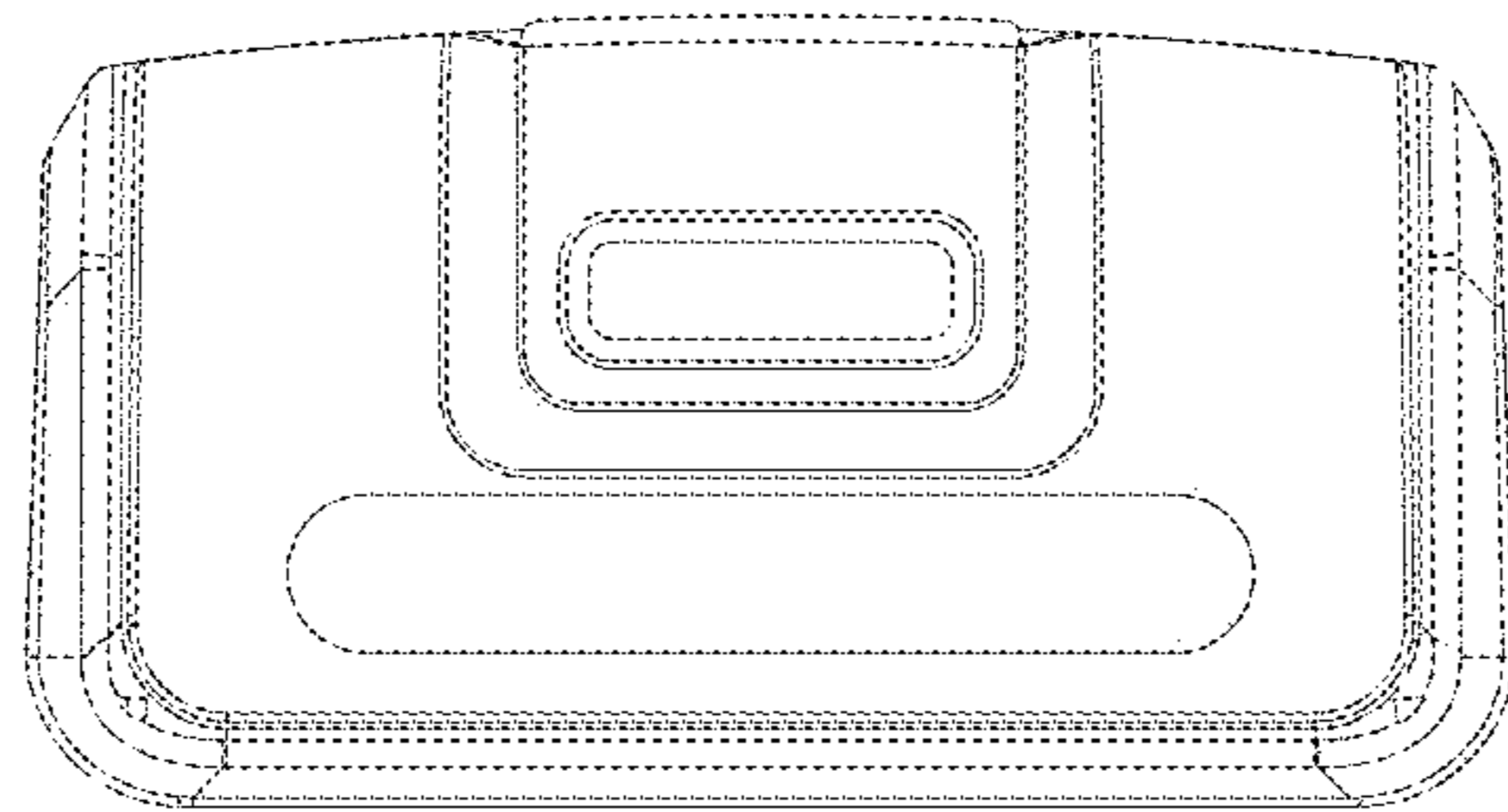


Fig. 5

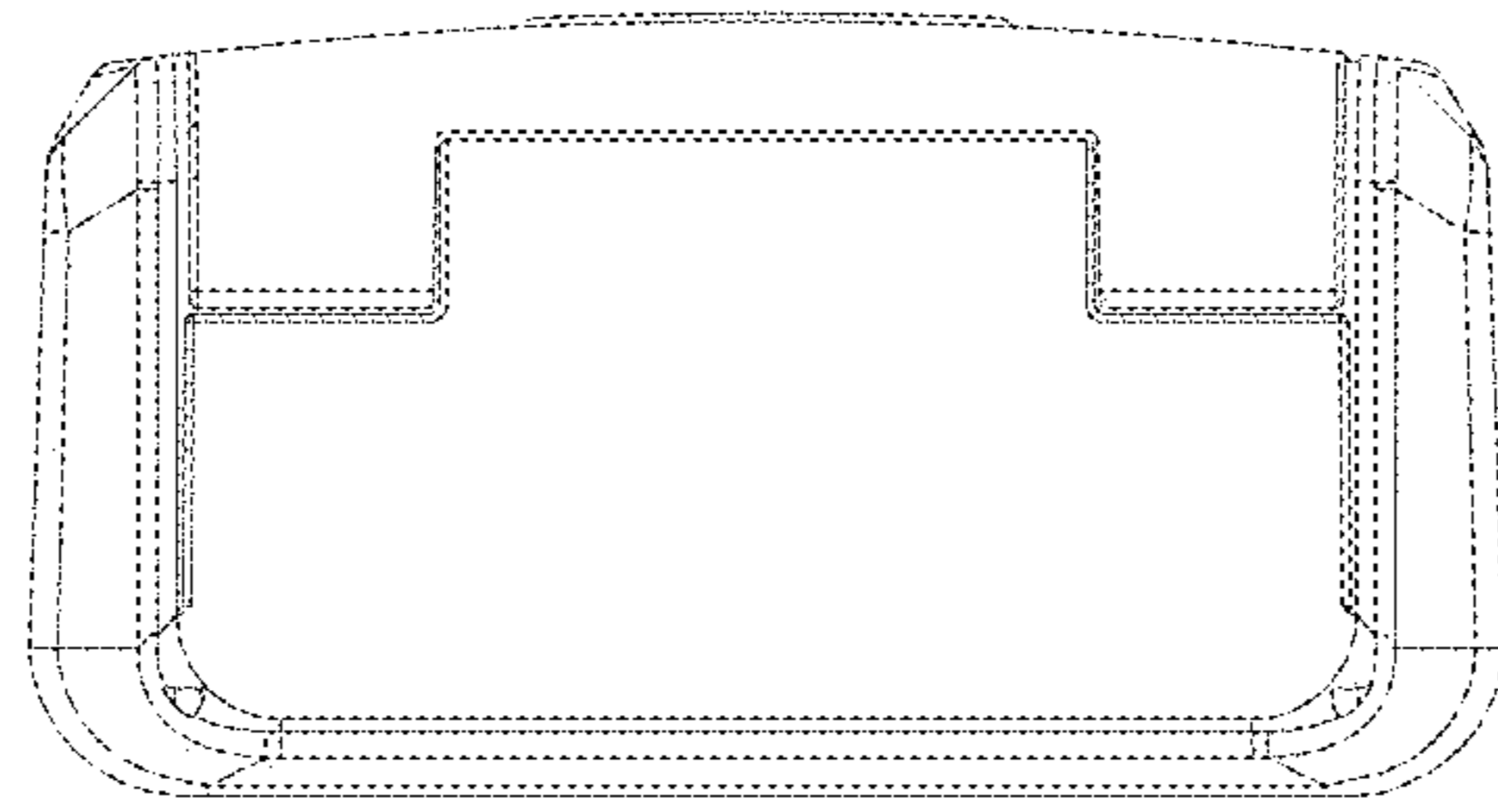


Fig. 6

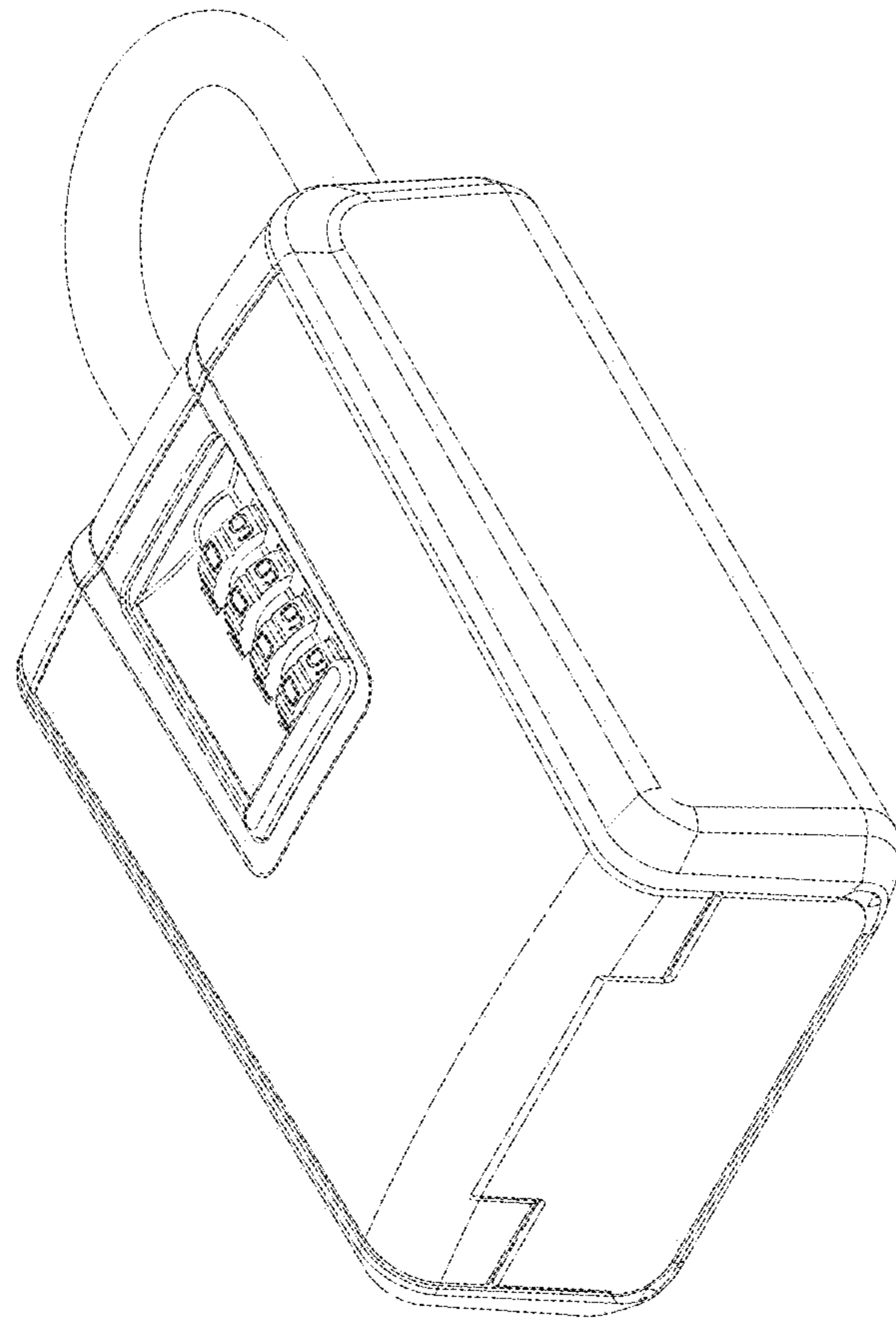


Fig. 7