



US00D972391S

(12) **United States Design Patent** (10) **Patent No.:** **US D972,391 S**
Zhou (45) **Date of Patent:** **** Dec. 13, 2022**

(54) **ELECTRONIC LOCK**
(71) Applicant: **Shenzhen Easloc Technology Co., Ltd.**, Shenzhen (CN)
(72) Inventor: **Fei Zhou**, Guangdong (CN)
(73) Assignee: **SHENZHEN EASLOC TECHNOLOGY CO., LTD.**, Shenzhen (CN)

D920,766 S * 6/2021 Zheng D8/331
D931,704 S * 9/2021 Ma
D938,799 S * 12/2021 Wei D8/331
D939,922 S * 1/2022 Xin E05B 9/00
D8/330
D957,231 S * 7/2022 Dai E05B 9/02
D8/343
D964,838 S * 9/2022 Liu D8/301
D966,070 S * 10/2022 Palmieri D8/331
D966,071 S * 10/2022 Palmieri D8/331

(Continued)

(**) Term: **15 Years**

OTHER PUBLICATIONS

(21) Appl. No.: **29/839,170**
(22) Filed: **May 18, 2022**
(51) **LOC (13) Cl.** **08-07**
(52) **U.S. Cl.**
USPC **D8/331; D8/330**
(58) **Field of Classification Search**
USPC D8/300, 331, 330, 349, 303, 310
CPC . E05B 3/02; E05B 3/003; E05B 71/00; E05B
3/04; E05B 2047/0057; E05B 47/00;
E05B 1/00; E05B 2047/0058; Y10T
292/85
See application file for complete search history.

Smart Door Lock, by MDHAND on Amazon.com. Dated May 17, 2022. Found online [Aug. 16, 2022]. <https://www.amazon.com/MDHAND-Keyless-Compatible-Google-Fingerprint/dp/B09Z6R5LRJ>.*

Primary Examiner — Marissa J Cash
Assistant Examiner — Kayla Marie Bennett
(74) *Attorney, Agent, or Firm* — Andrew C. Cheng

(57) **CLAIM**

I claim the ornamental design for an electronic lock, as shown and described.

(56) **References Cited**

DESCRIPTION

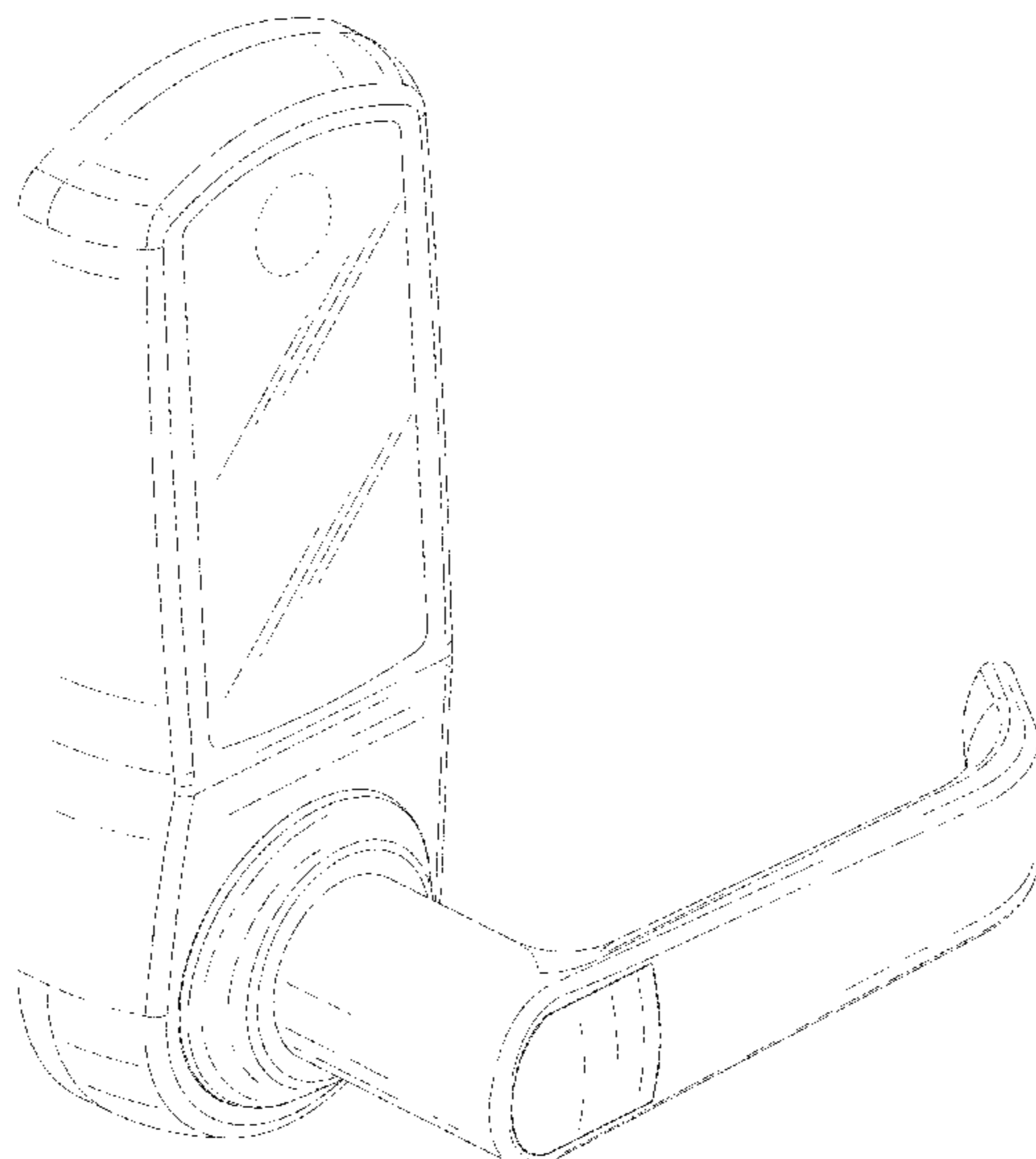
U.S. PATENT DOCUMENTS

6,733,050 B1 * 5/2004 Yao E05B 63/044
292/137
D570,188 S 6/2008 Luo
D660,129 S * 5/2012 Genord D8/330
D679,986 S * 4/2013 Hsieh D8/330
D737,657 S * 9/2015 Nadgouda D8/350
D790,321 S 6/2017 Hsu et al.
D790,948 S * 7/2017 Lai D8/330
D791,569 S 7/2017 Chen et al.
D794,414 S * 8/2017 Chou D8/350
D814,265 S * 4/2018 Kasper D8/330
D840,785 S * 2/2019 Kasper D8/330
D901,278 S * 11/2020 Zheng D8/331
D911,147 S * 2/2021 Li D8/330

FIG. 1 is a front, left and top perspective view of an electronic lock showing my new design;
FIG. 2 is a rear, right and bottom perspective view thereof;
FIG. 3 is a front view thereof;
FIG. 4 is a rear view thereof;
FIG. 5 is a left side view thereof;
FIG. 6 is a right side view thereof;
FIG. 7 is a top view thereof; and,
FIG. 8 is a bottom view thereof.

The broken lines depict portions of the electronic lock in which the design is embodied that form no part of the claimed design.

1 Claim, 8 Drawing Sheets



(56)

References Cited

U.S. PATENT DOCUMENTS

D966,072 S * 10/2022 Palmieri D8/331
D966,073 S * 10/2022 Palmieri D8/331
2018/0283044 A1* 10/2018 Morstatt E05B 3/02

* cited by examiner

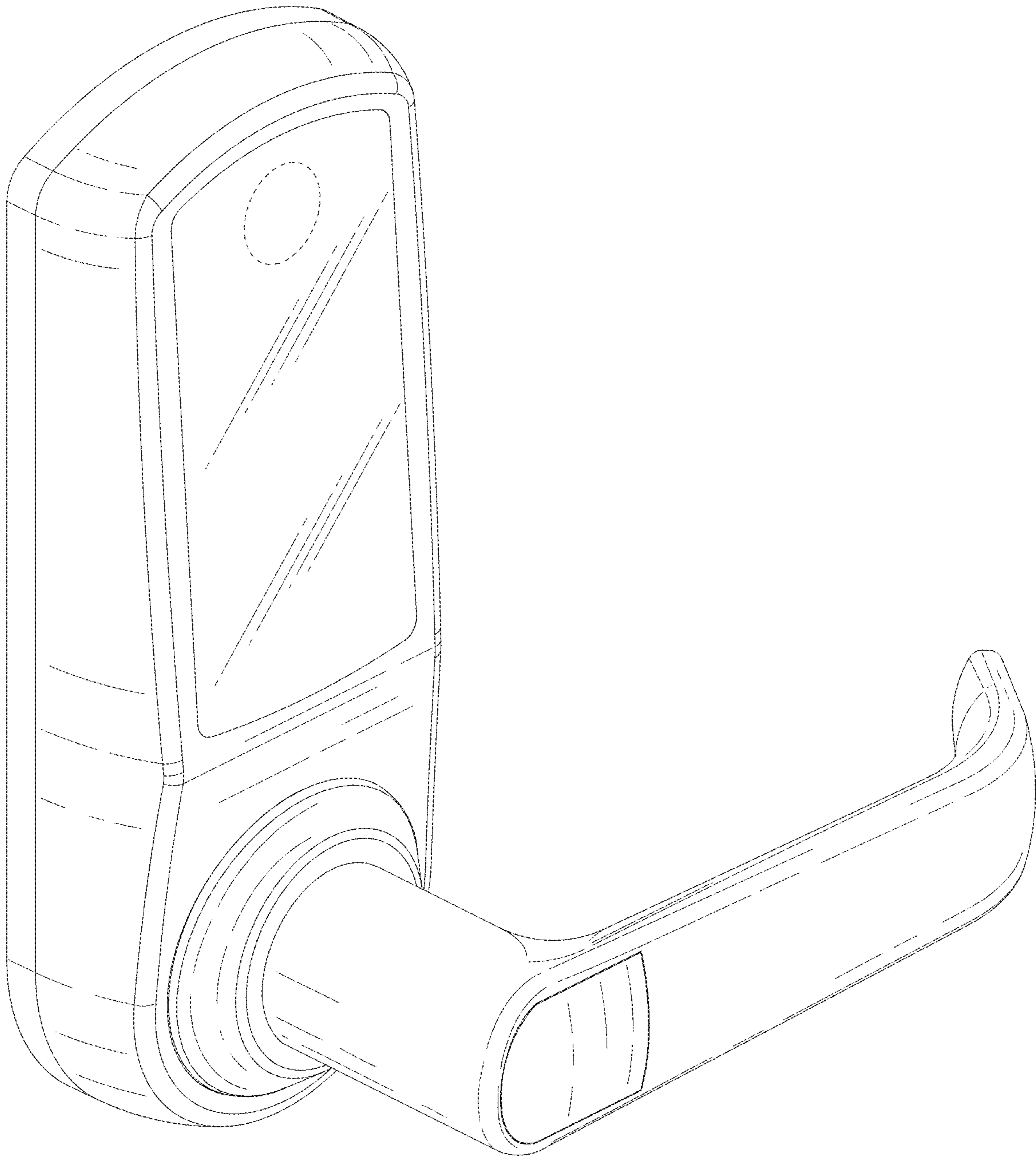


FIG. 1

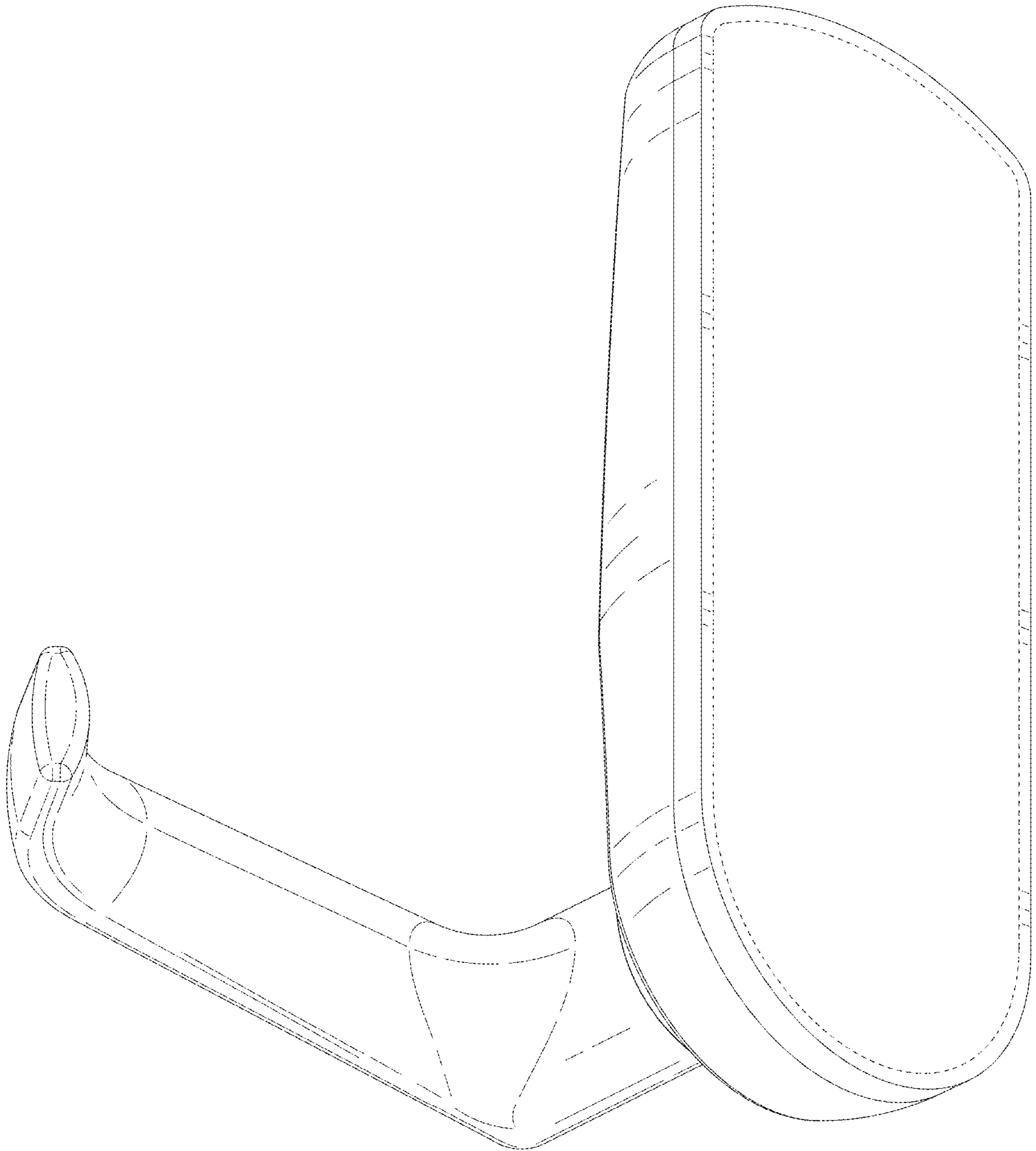


FIG. 2

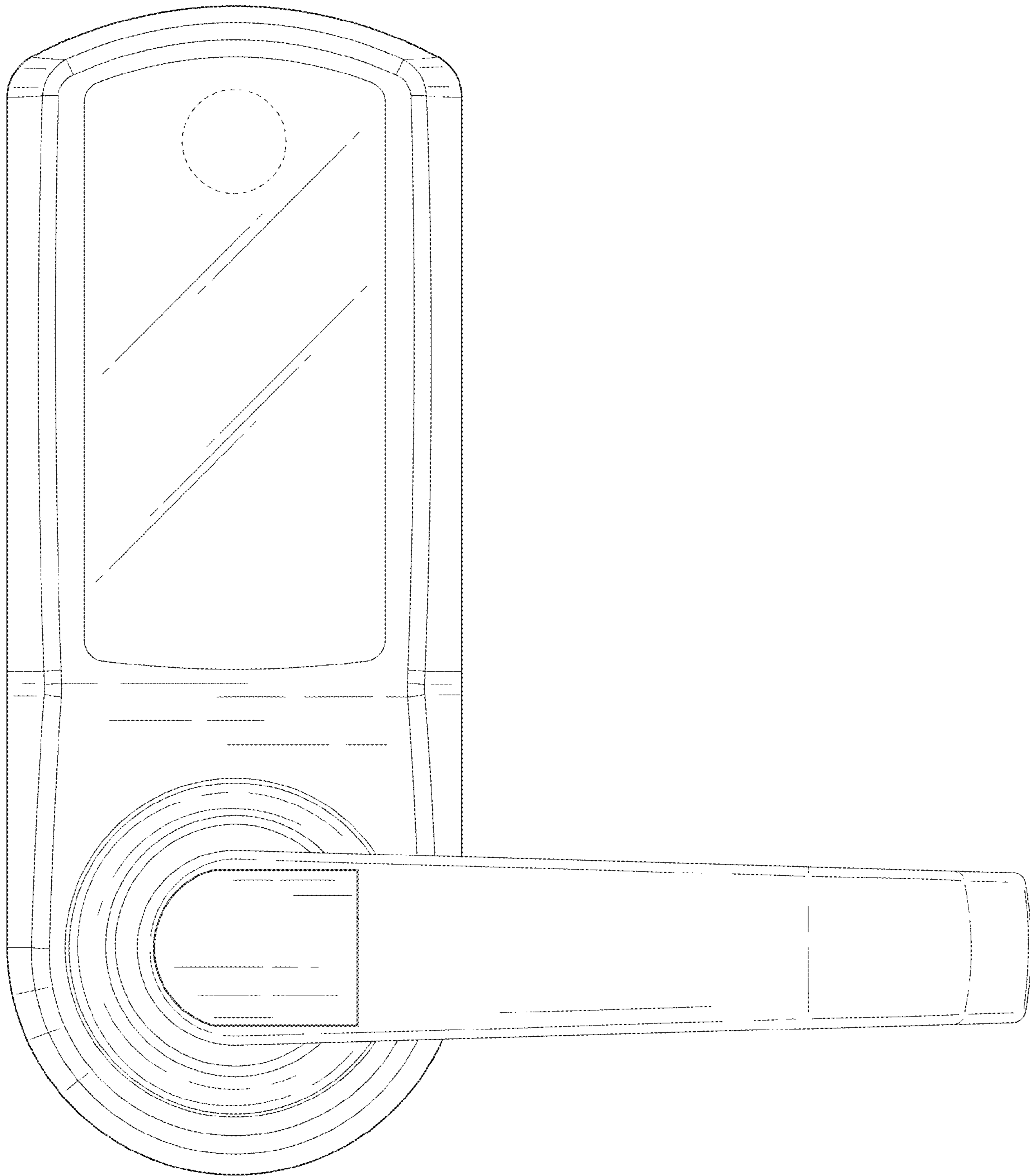


FIG. 3

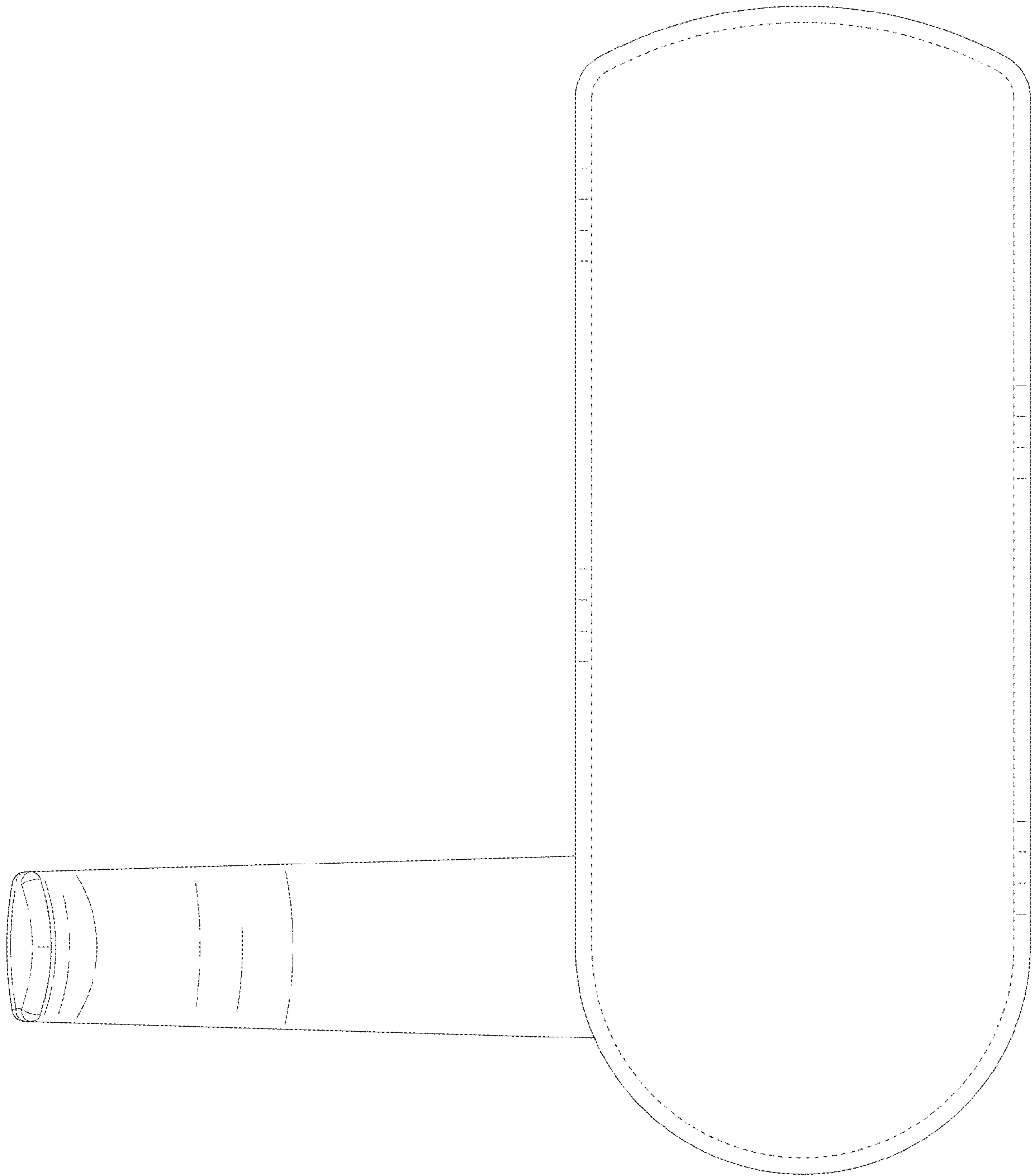


FIG. 4

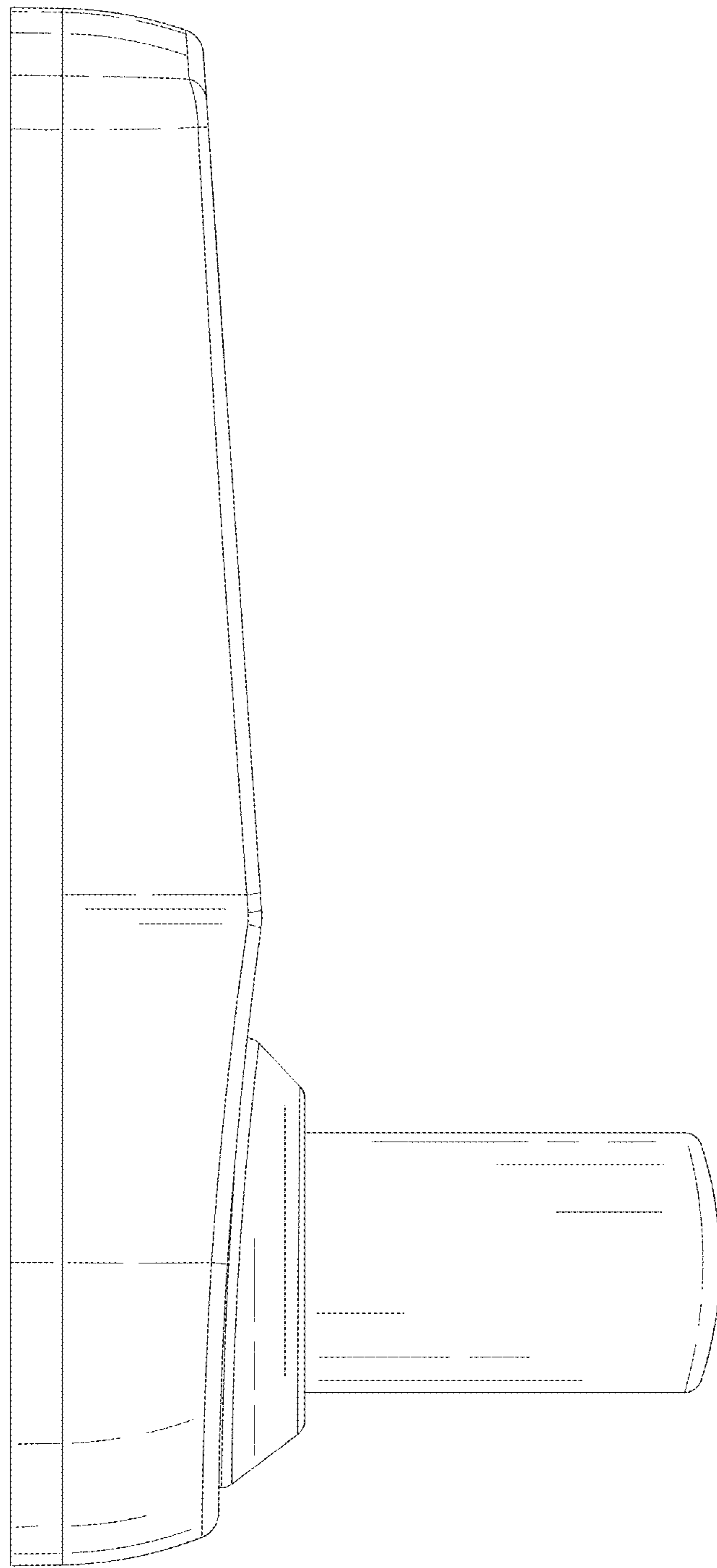


FIG. 5

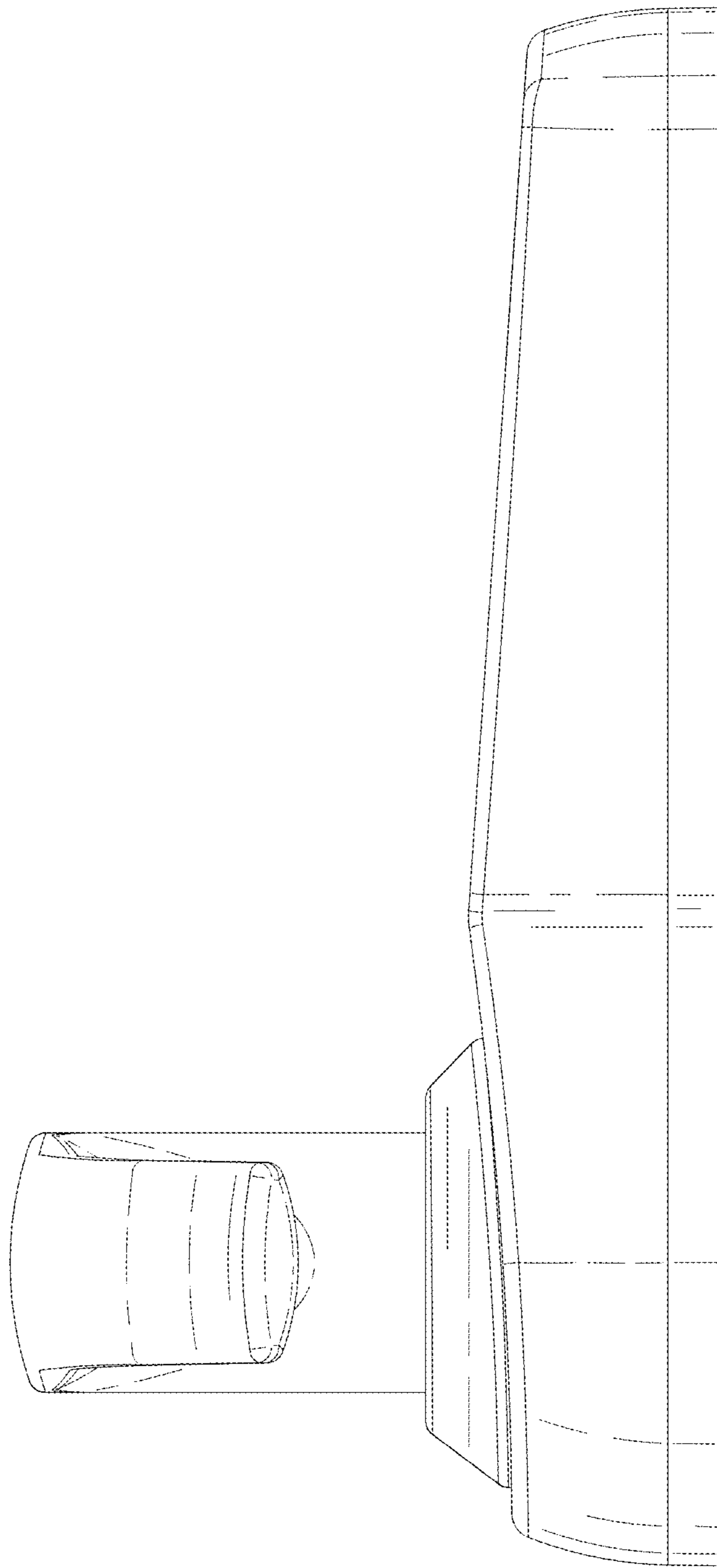


FIG. 6

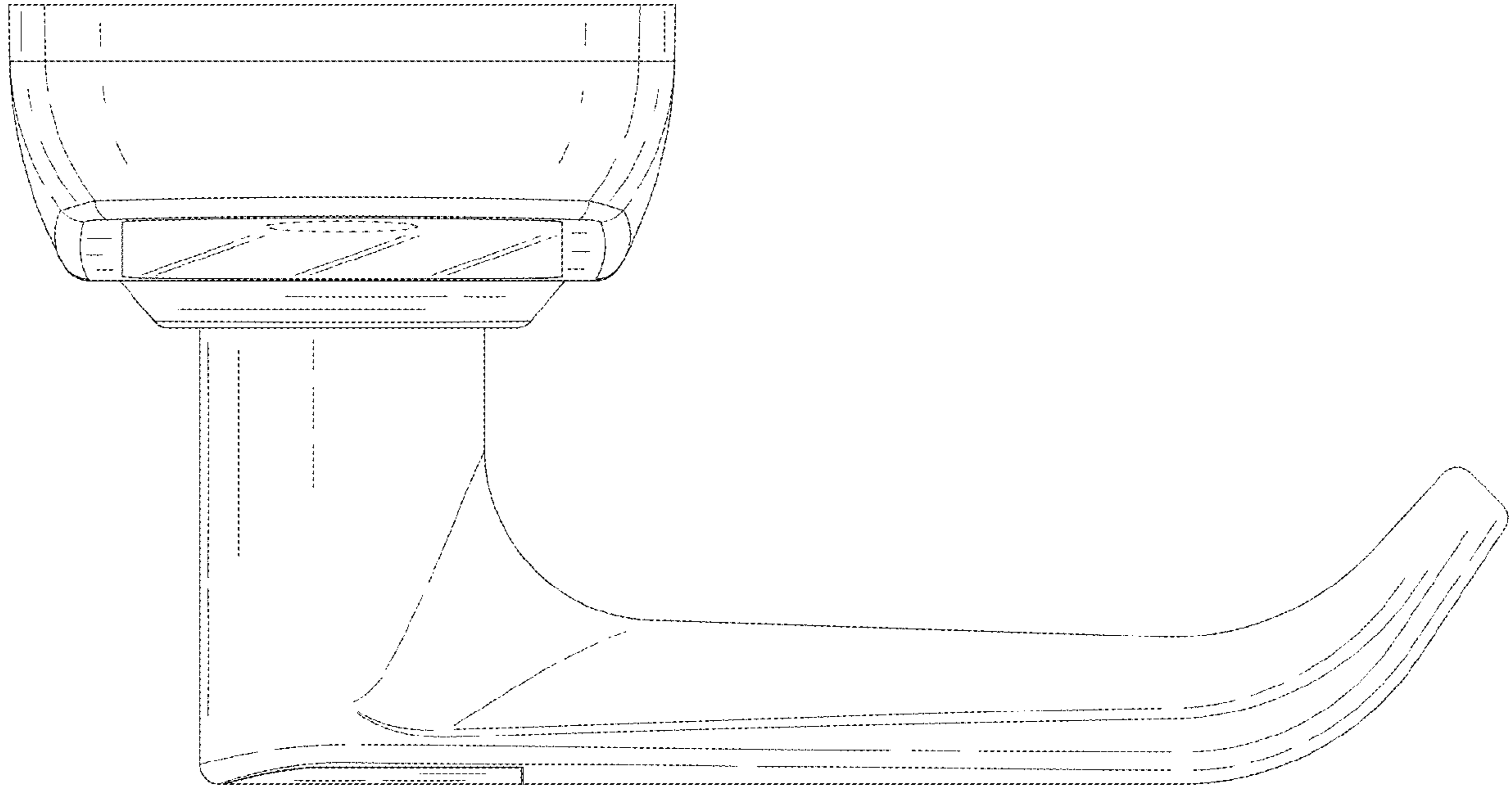


FIG. 7

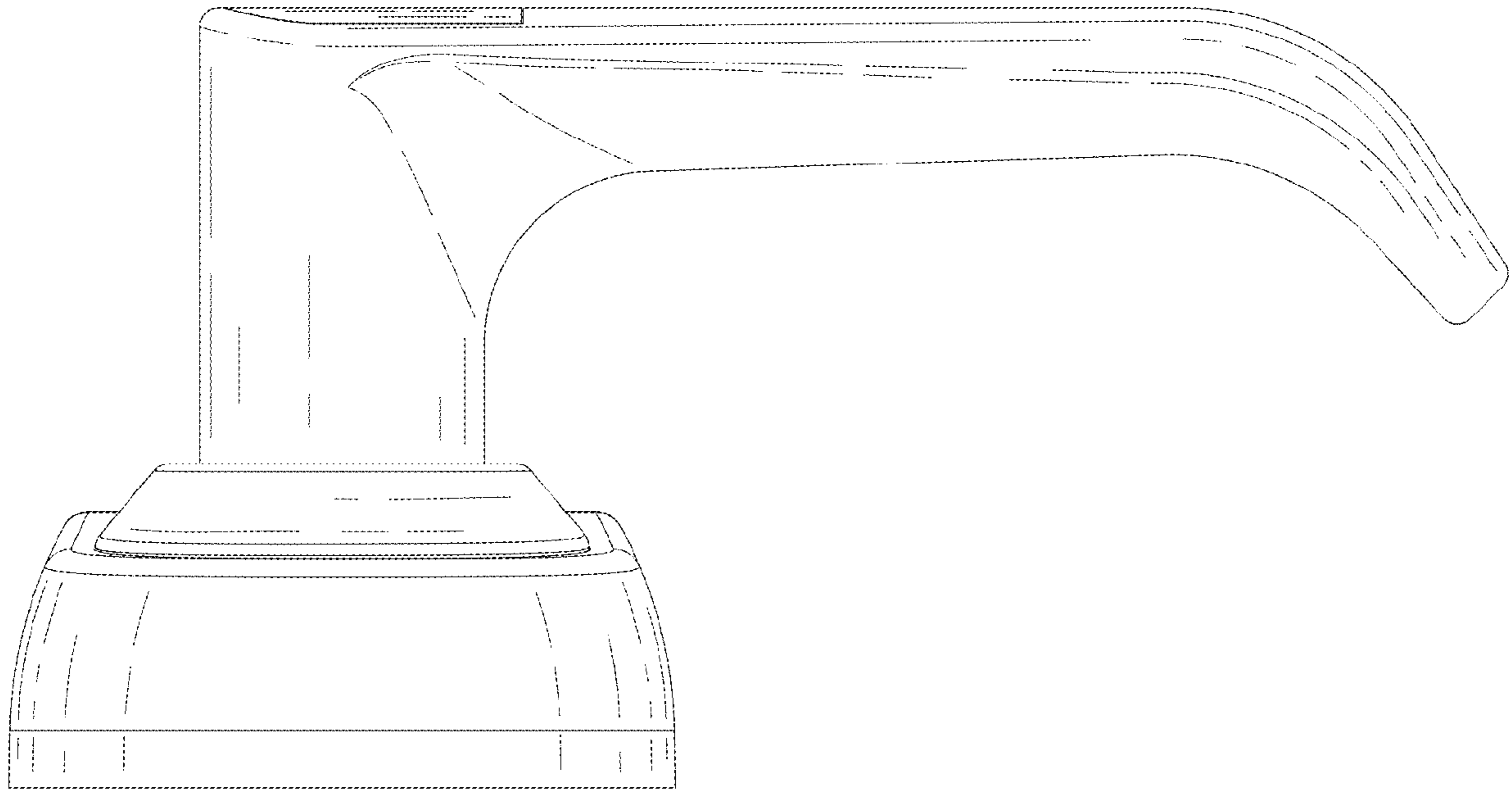


FIG. 8