



US00D972390S

(12) **United States Design Patent** (10) **Patent No.:** **US D972,390 S**  
**Griffin** (45) **Date of Patent:** **\*\* Dec. 13, 2022**

- (54) **COMBINATION STUD CHASER HOUSING AND DIE HOLDER**
- (71) Applicant: **David W. Griffin**, Bradenton, FL (US)
- (72) Inventor: **David W. Griffin**, Bradenton, FL (US)
- (73) Assignee: **David W. Griffin**
- (\*\*) Term: **15 Years**
- (21) Appl. No.: **29/757,971**
- (22) Filed: **Nov. 11, 2020**
- (51) **LOC (13) Cl.** ..... **08-05**
- (52) **U.S. Cl.**  
USPC ..... **D8/71; D15/140**
- (58) **Field of Classification Search**  
USPC ..... D8/21, 25, 28, 29, 59, 70, 71;  
D15/138-140  
CPC .... B25B 13/06; B25B 13/065; B25B 23/0035  
See application file for complete search history.

(56) **References Cited**

U.S. PATENT DOCUMENTS

1,155,211	A *	9/1915	Carpenter	.....	B23G 5/106
					294/102.1
1,160,042	A *	11/1915	Carpenter	.....	B23B 29/03421
					408/156
4,095,917	A *	6/1978	Wesner	.....	B23G 1/261
					81/177.85
D271,112	S *	10/1983	Wiatt	.....	D15/140
D330,207	S *	10/1992	Andrews	.....	D15/140
5,803,676	A *	9/1998	Wienss	.....	B23G 9/009
					408/1 R
D439,821	S *	4/2001	Fujiwara	.....	D8/74
D493,081	S *	7/2004	Chen	.....	B23G 1/263
					D8/29
D530,729	S *	10/2006	Cook	.....	D15/140
D594,306	S *	6/2009	Decker	.....	D15/138
D657,807	S *	4/2012	Frazier	.....	D15/139

D703,713	S *	4/2014	Frazier	.....	D15/139
8,839,855	B1 *	9/2014	McClinton	.....	E21B 34/14
					166/135
D717,626	S *	11/2014	Dickrede	.....	D8/70
D793,831	S *	8/2017	Russell	.....	D8/70
D902,679	S *	11/2020	Shropshire	.....	D8/29
D916,152	S *	4/2021	McLain	.....	D15/150
D964,130	S *	9/2022	Zimmermann	.....	D8/29
2007/0082746	A1 *	4/2007	Rigdon	.....	B23G 1/263
					470/82
2020/0198102	A1 *	6/2020	Wu	.....	B25B 13/065
2020/0316758	A1 *	10/2020	Huang	.....	B25B 13/06
2021/0370485	A1 *	12/2021	Hsieh	.....	B25B 23/0035

\* cited by examiner

*Primary Examiner* — Rachel A. Voorhies  
*Assistant Examiner* — Benjamin D. Wannemacher  
(74) *Attorney, Agent, or Firm* — Lee G. Rendeiro

(57) **CLAIM**

The ornamental design for a combination stud chaser housing and die holder, as shown and described.

**DESCRIPTION**

FIG. 1 is a top front left side perspective view of the combination stud chaser housing and die holder showing my new design;  
FIG. 2 is a front view of the combination stud chaser housing and die holder;  
FIG. 3 is a rear view of the combination stud chaser housing and die holder;  
FIG. 4 is a left side view of the combination stud chaser housing and die holder;  
FIG. 5 is a right side view of the combination stud chaser housing and die holder;  
FIG. 6 is a top view of the combination stud chaser housing and die holder; and,  
FIG. 7 is a bottom view of the combination stud chaser housing and die holder.

**1 Claim, 2 Drawing Sheets**

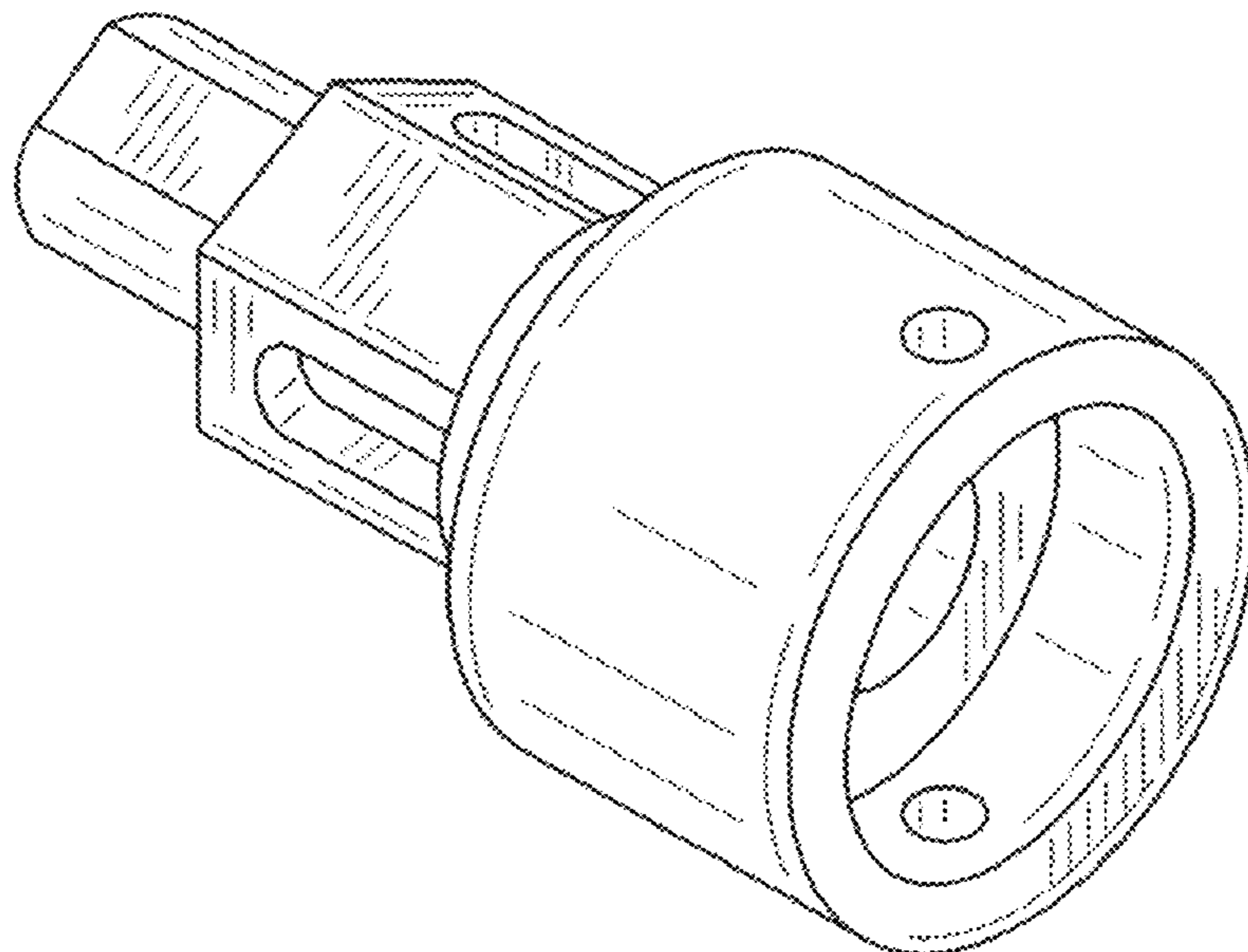


FIG. 1

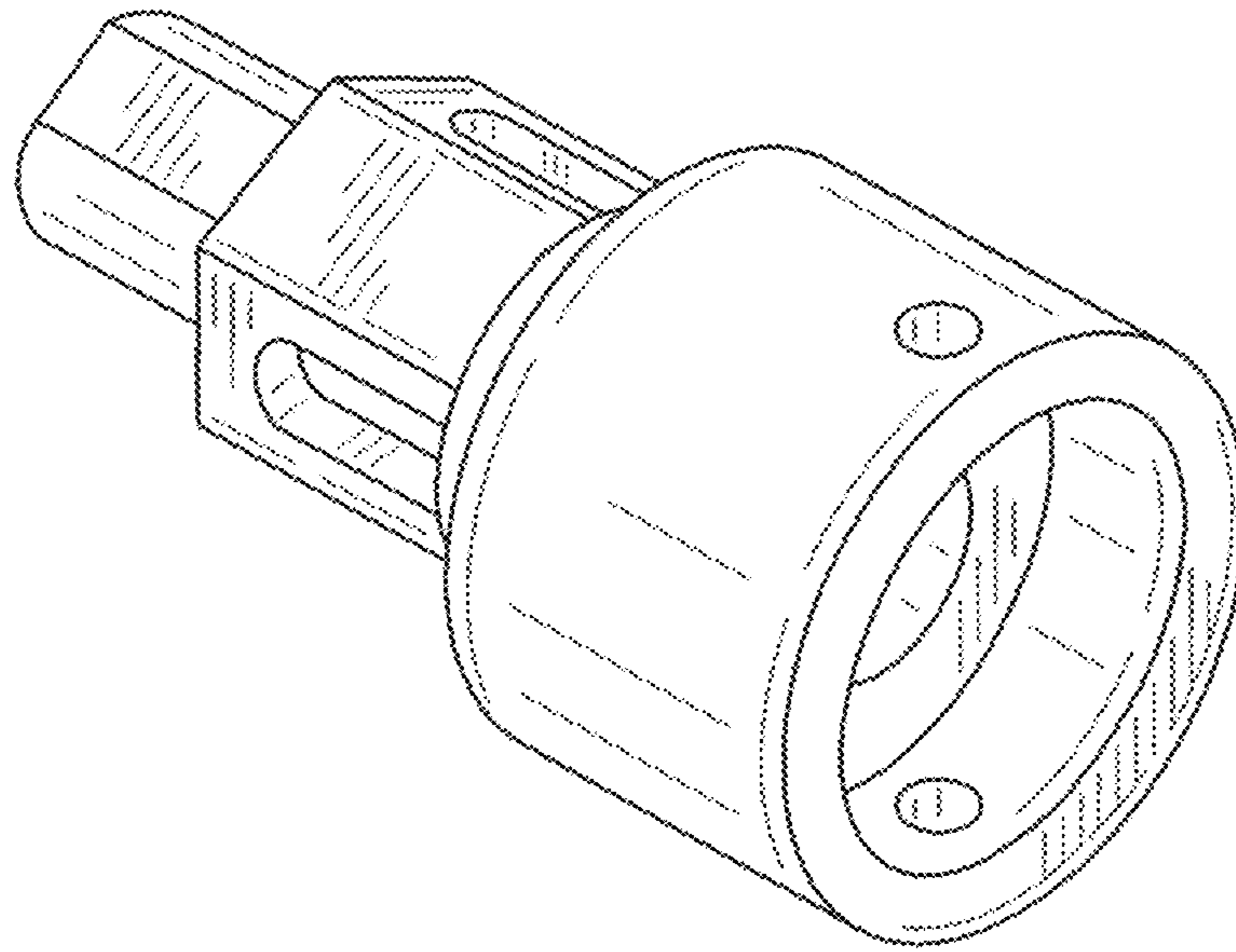


FIG. 2

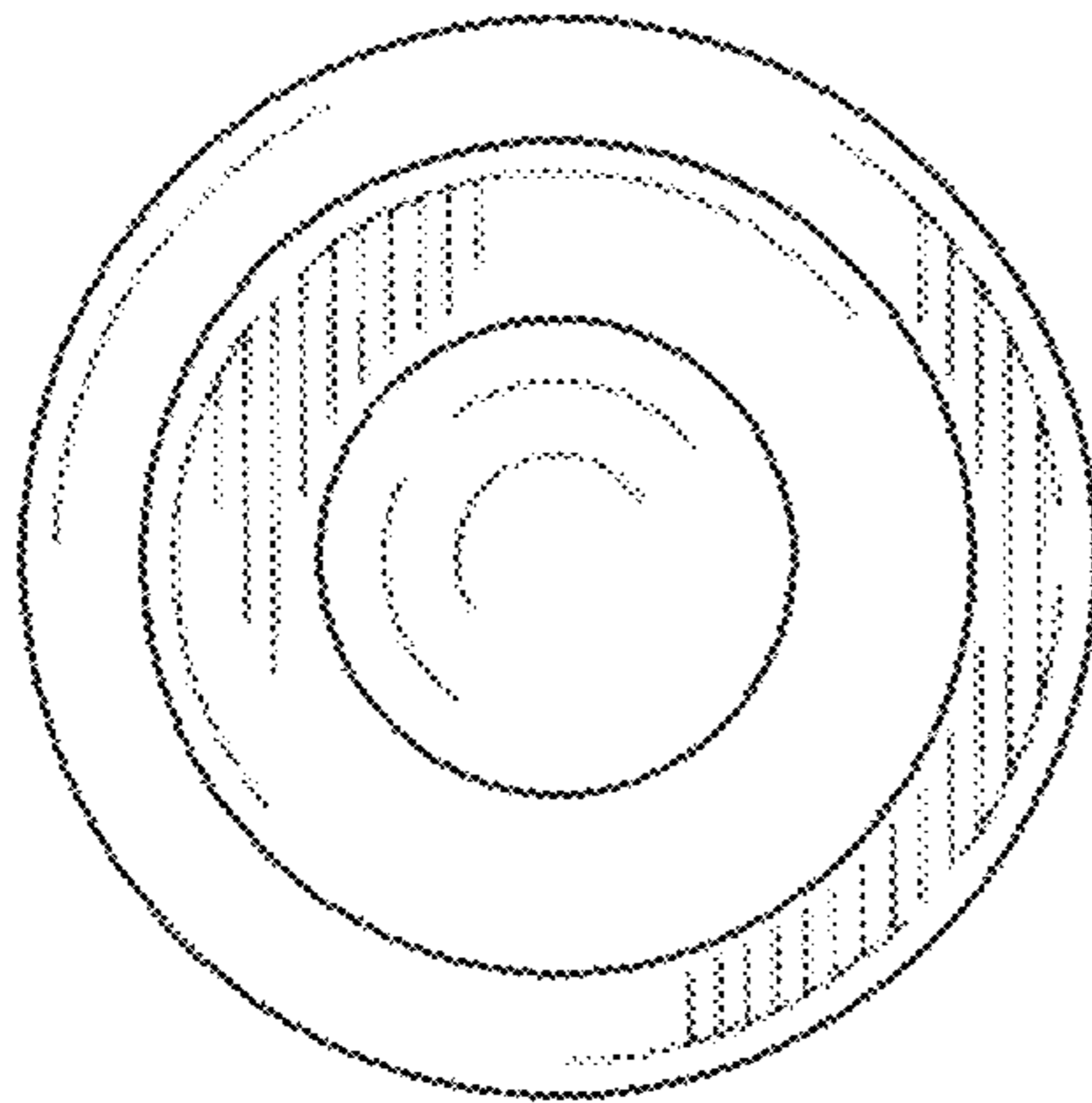


FIG. 3

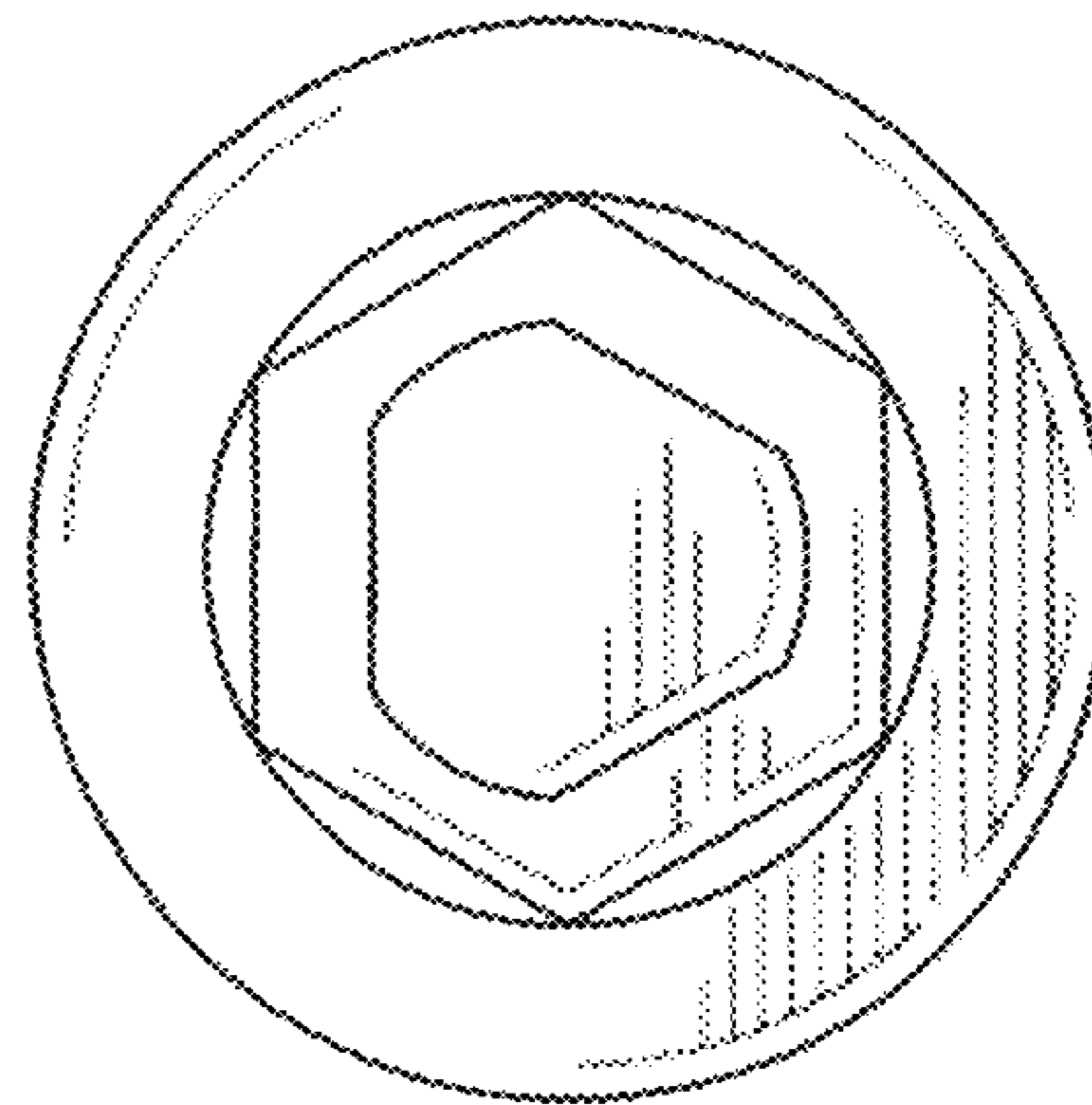


FIG. 4

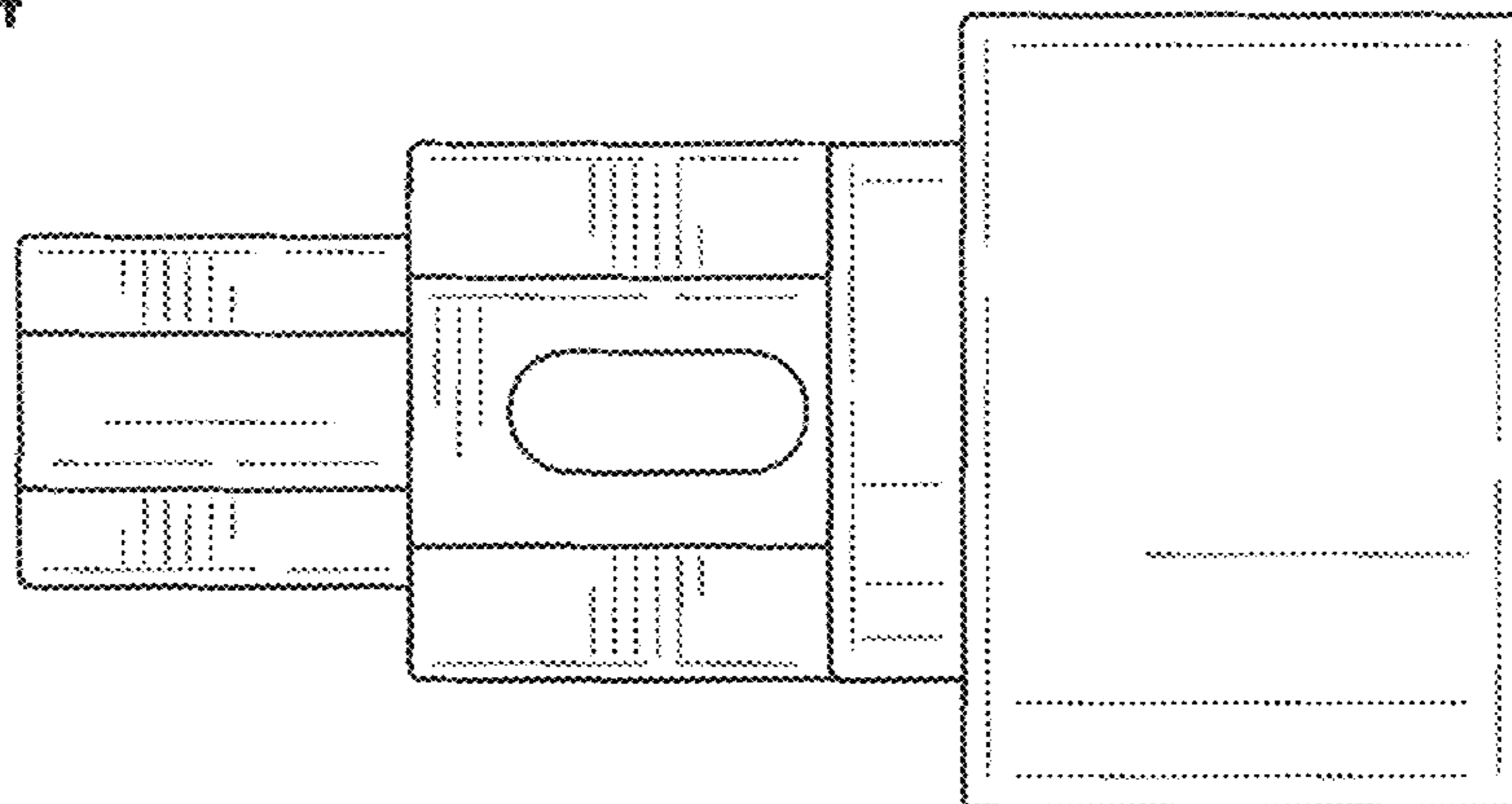


FIG. 5

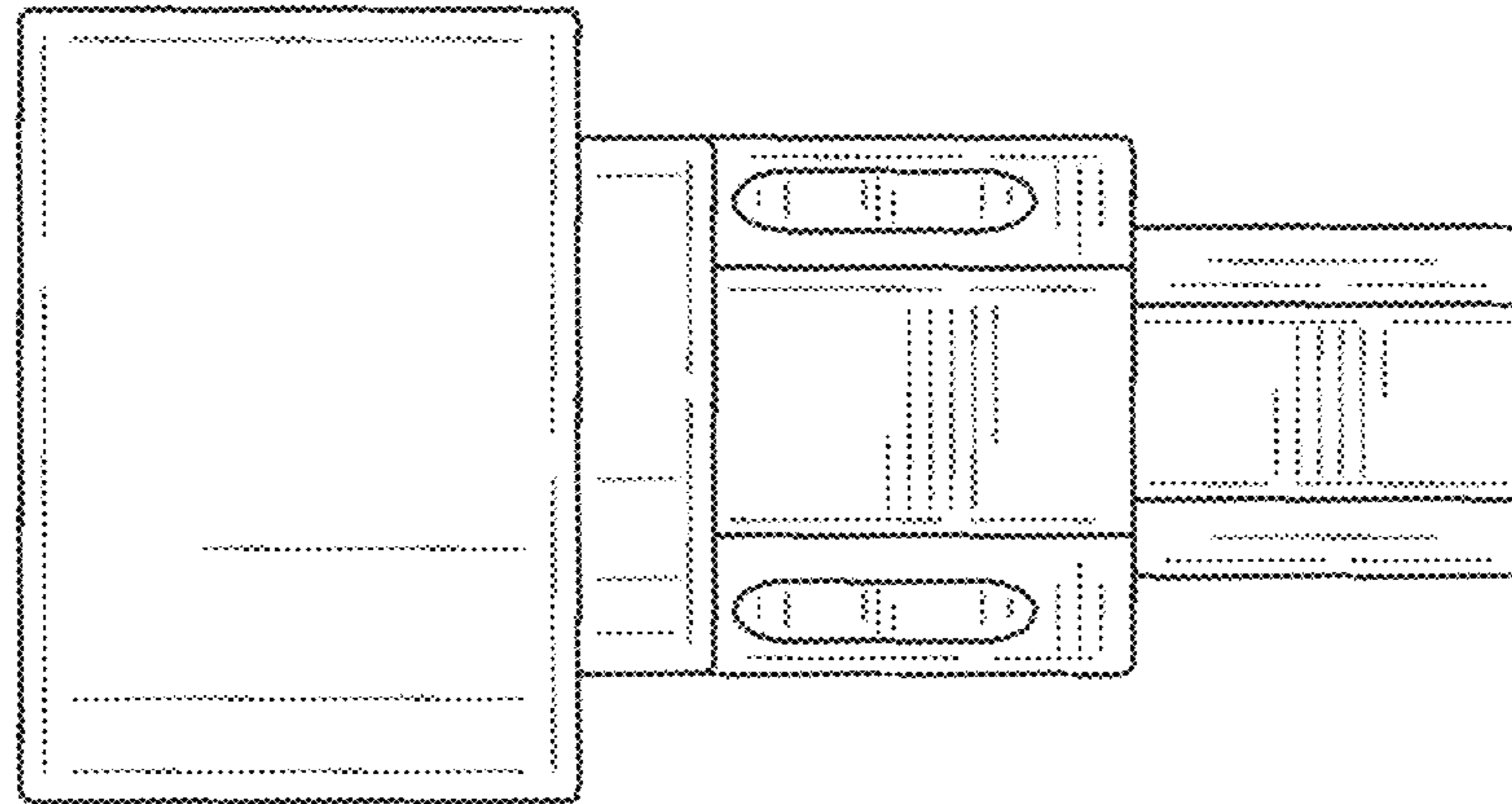


FIG. 6

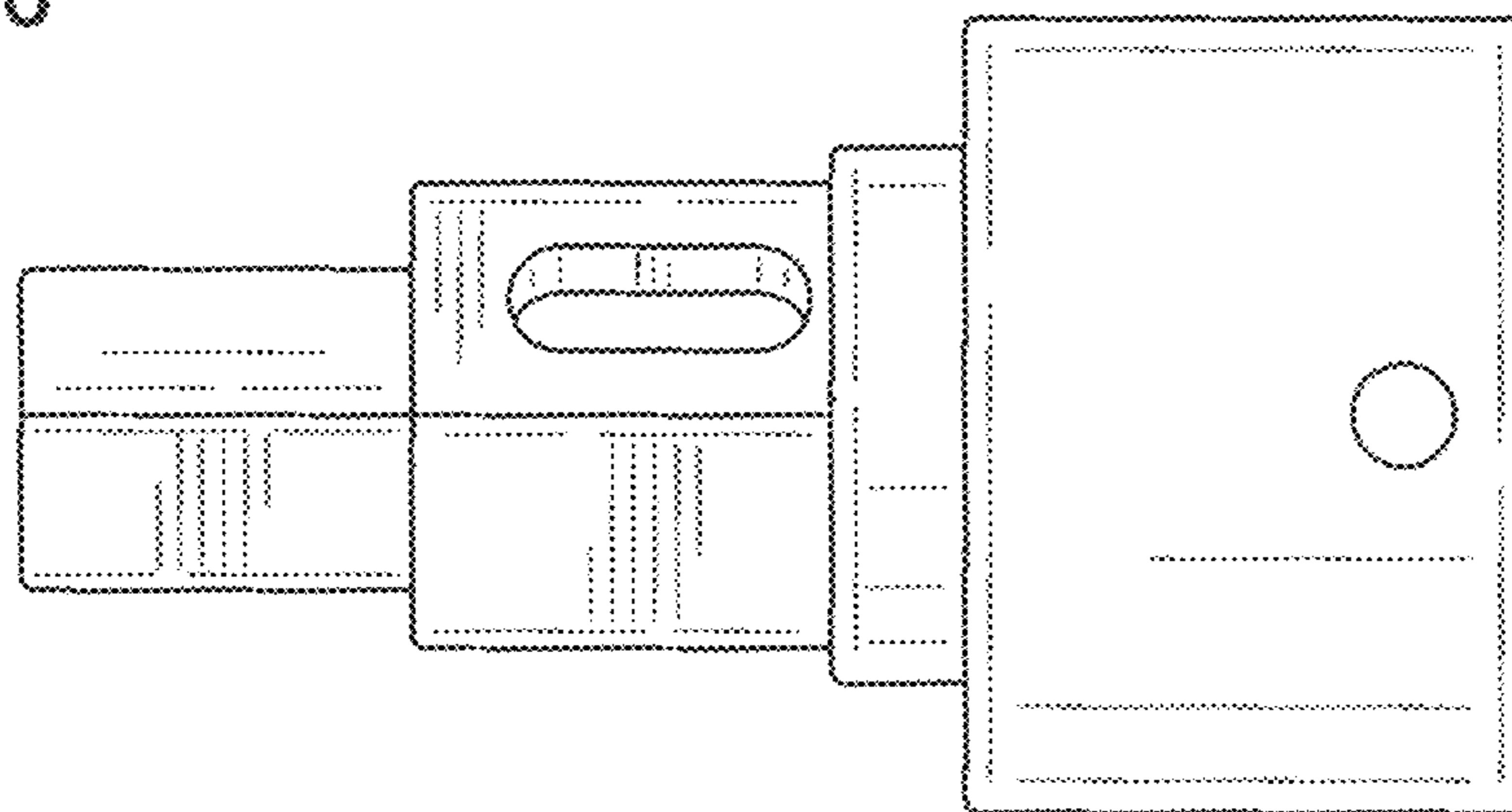


FIG. 7

