



US00D972389S

(12) **United States Design Patent**  
**Zhan**

(10) **Patent No.:** **US D972,389 S**

(45) **Date of Patent:** **\*\* Dec. 13, 2022**

(54) **TOOL HOLDER**

(71) Applicant: **XIAMEN GOPRO LIGHTING TECHNOLOGY CO., LTD.**, Xiamen (CN)

(72) Inventor: **Zhiqiang Zhan**, Xiamen (CN)

(\*\*) Term: **15 Years**

(21) Appl. No.: **29/755,478**

(22) Filed: **Oct. 21, 2020**

(51) **LOC (13) Cl.** ..... **08-05**

(52) **U.S. Cl.**  
USPC ..... **D8/71**

(58) **Field of Classification Search**  
USPC ..... D8/71, 373; D3/313, 314, 318, 319; D7/637, 638  
CPC ..... A47G 21/14; A47G 21/145; A45F 2200/0575; A45F 2200/05  
See application file for complete search history.

(56) **References Cited**

**U.S. PATENT DOCUMENTS**

- 4,303,188 A \* 12/1981 Calabrese ..... A45C 5/00 224/904
- 4,509,651 A \* 4/1985 Prindle ..... A47G 21/14 D7/637
- D283,868 S \* 5/1986 Kelly ..... D7/640
- D311,303 S \* 10/1990 Ancona ..... D7/641
- D325,149 S \* 4/1992 Ancona ..... D19/85
- D325,150 S \* 4/1992 Ancona ..... D19/85
- D331,863 S \* 12/1992 Ancona ..... D19/85
- D434,615 S \* 12/2000 Chien ..... D7/637
- 6,854,186 B2 \* 2/2005 Basden ..... A47G 21/14 248/37.3
- 7,290,656 B1 \* 11/2007 Crawford ..... B25H 3/00 206/349

- D575,995 S \* 9/2008 Owens ..... D7/637
- D690,131 S \* 9/2013 Clough ..... D6/542
- D711,043 S \* 8/2014 Cooper ..... D28/38
- D796,203 S \* 9/2017 Cavazos, III ..... D3/313
- D834,823 S \* 12/2018 Cavazos, III ..... D3/313
- D865,057 S \* 10/2019 Sheldon ..... D19/75
- 10,743,633 B2 \* 8/2020 Cooper ..... A45C 11/00
- D911,122 S \* 2/2021 deBretton Gordon ..... D7/637
- D949,640 S \* 4/2022 Liu ..... D7/640
- D949,641 S \* 4/2022 Liu ..... D7/640

\* cited by examiner

*Primary Examiner* — Keli L Hill

*Assistant Examiner* — Harold E Blackwell, II

(74) *Attorney, Agent, or Firm* — Rumit R. Kanakia

(57) **CLAIM**

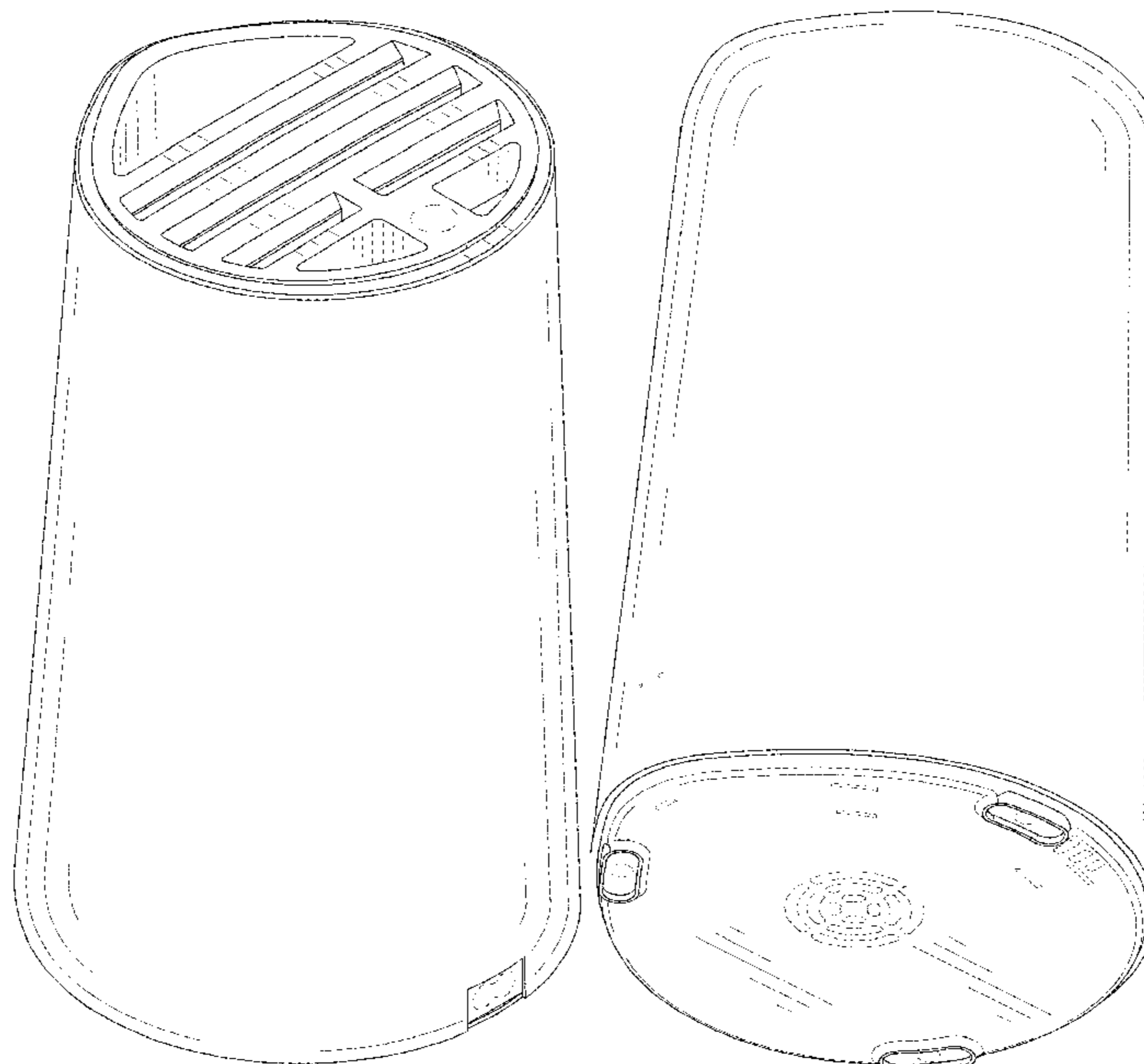
The ornamental design for a tool holder, as shown and described.

**DESCRIPTION**

FIG. 1 is a first perspective view of a tool holder showing my new design;  
 FIG. 2 is a second perspective view thereof;  
 FIG. 3 is a front view thereof;  
 FIG. 4 is a back view thereof;  
 FIG. 5 is a left side view thereof;  
 FIG. 6 is a right side view thereof;  
 FIG. 7 is a top view thereof;  
 FIG. 8 is a bottom view thereof; and,  
 FIG. 9 is an enlarged detail view of the encircled portion of FIG. 7.

The broken lines shown in the drawings depict portions of the tool holder in which the design is embodied that form no part of the claimed design. The dot-dash broken lines encircling the enlarged detail views are for the annotative purposes that form no part of the claimed design.

**1 Claim, 9 Drawing Sheets**



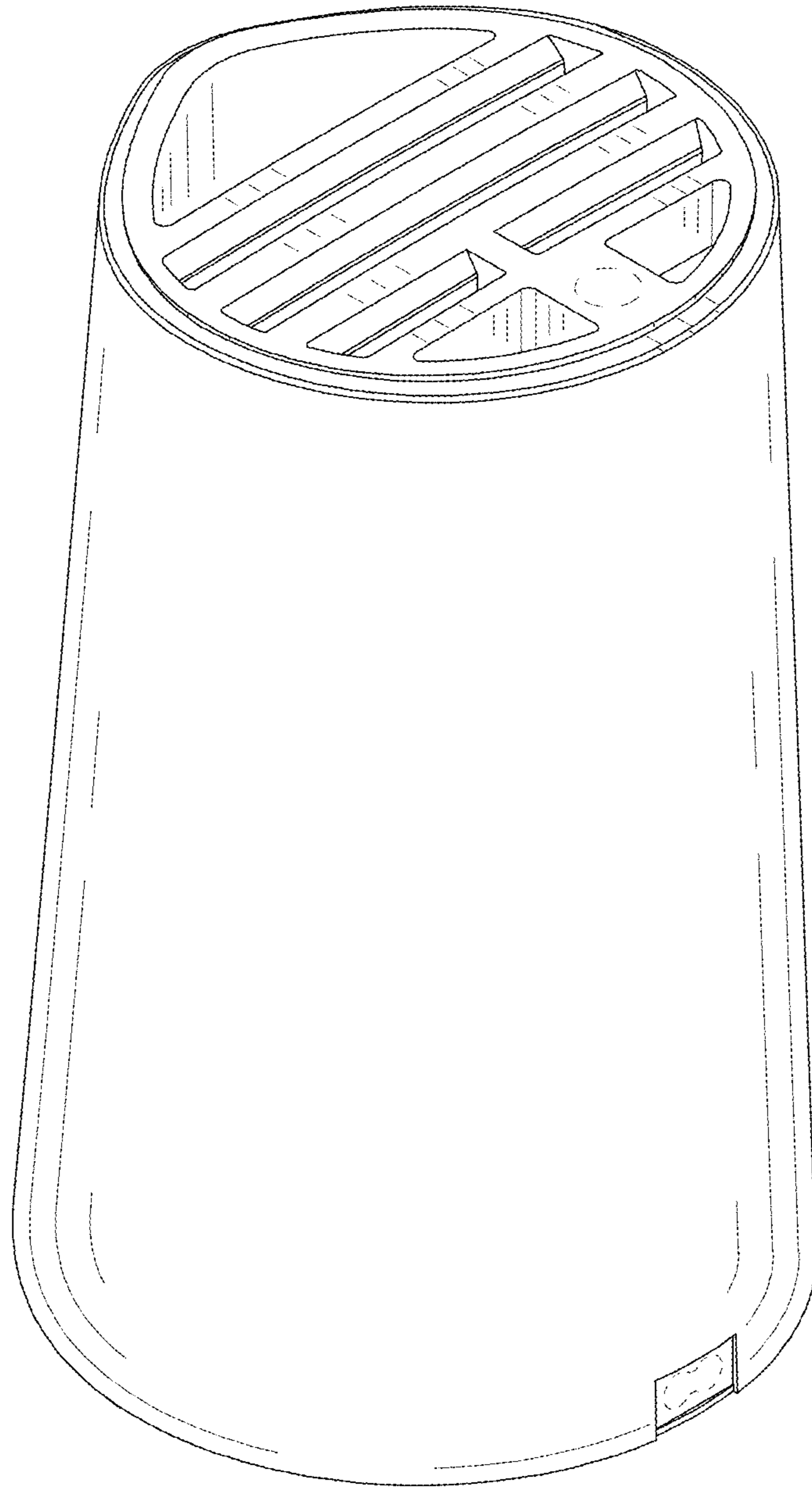


FIG. 1

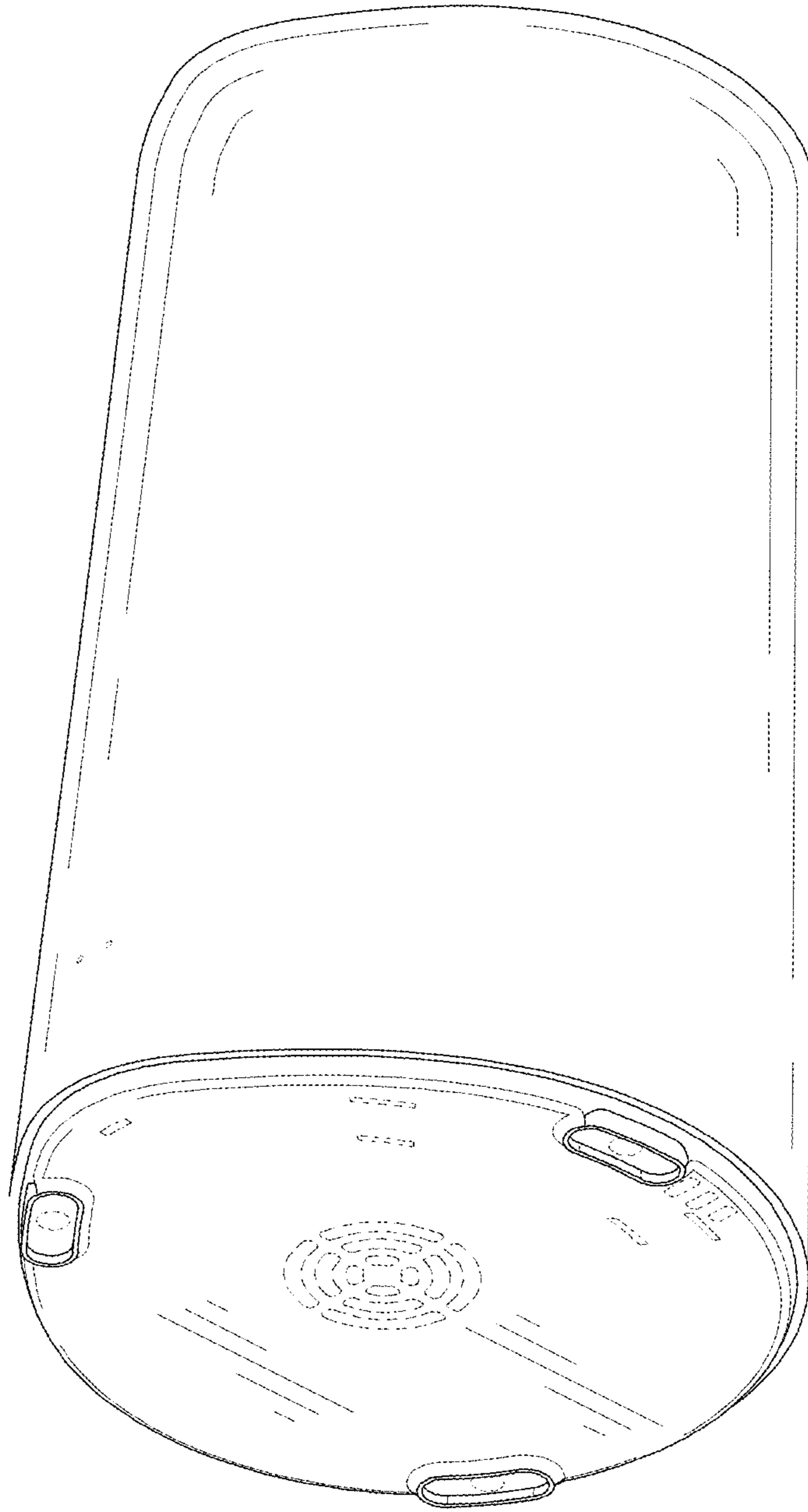


FIG. 2

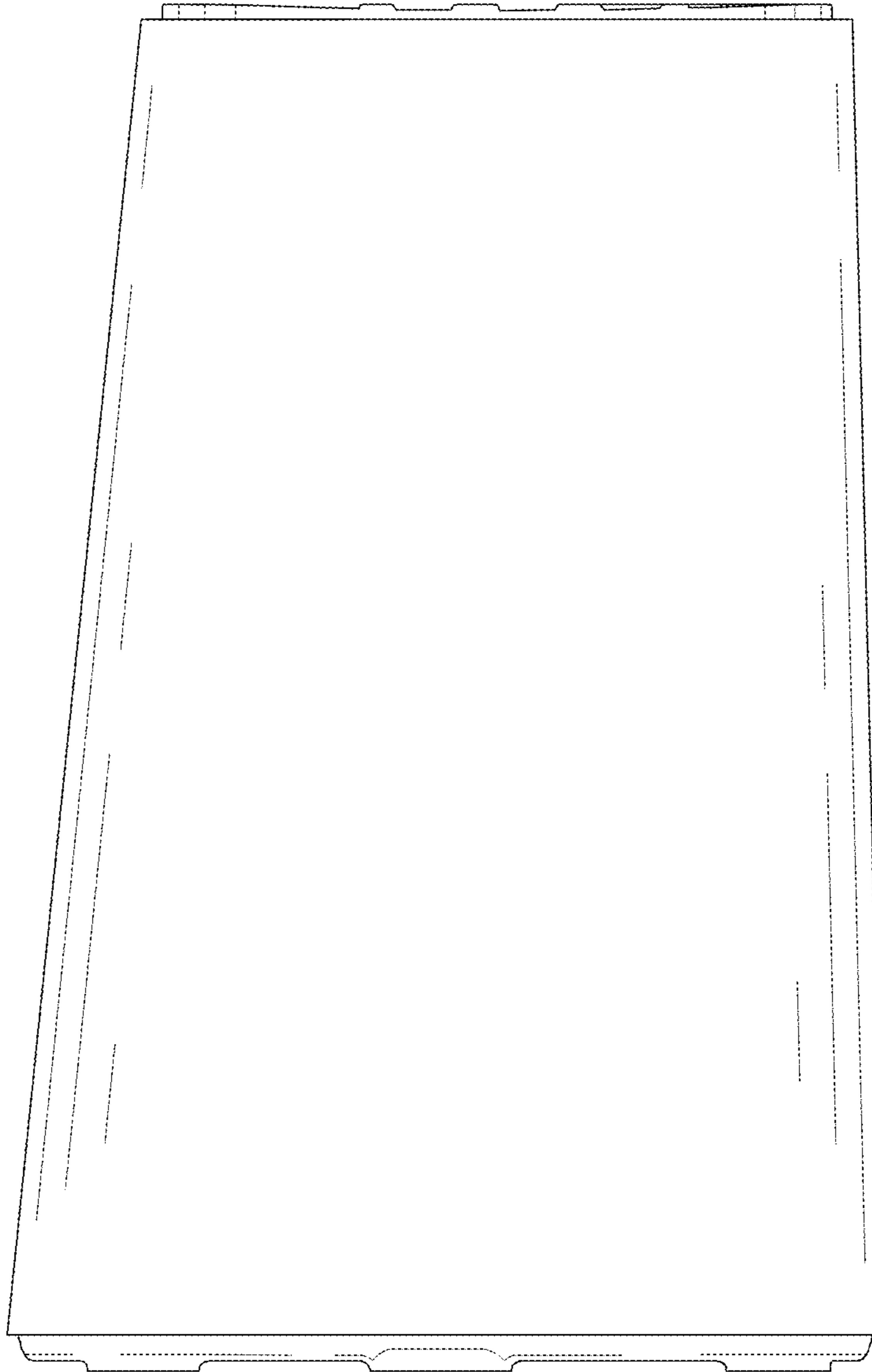


FIG. 3

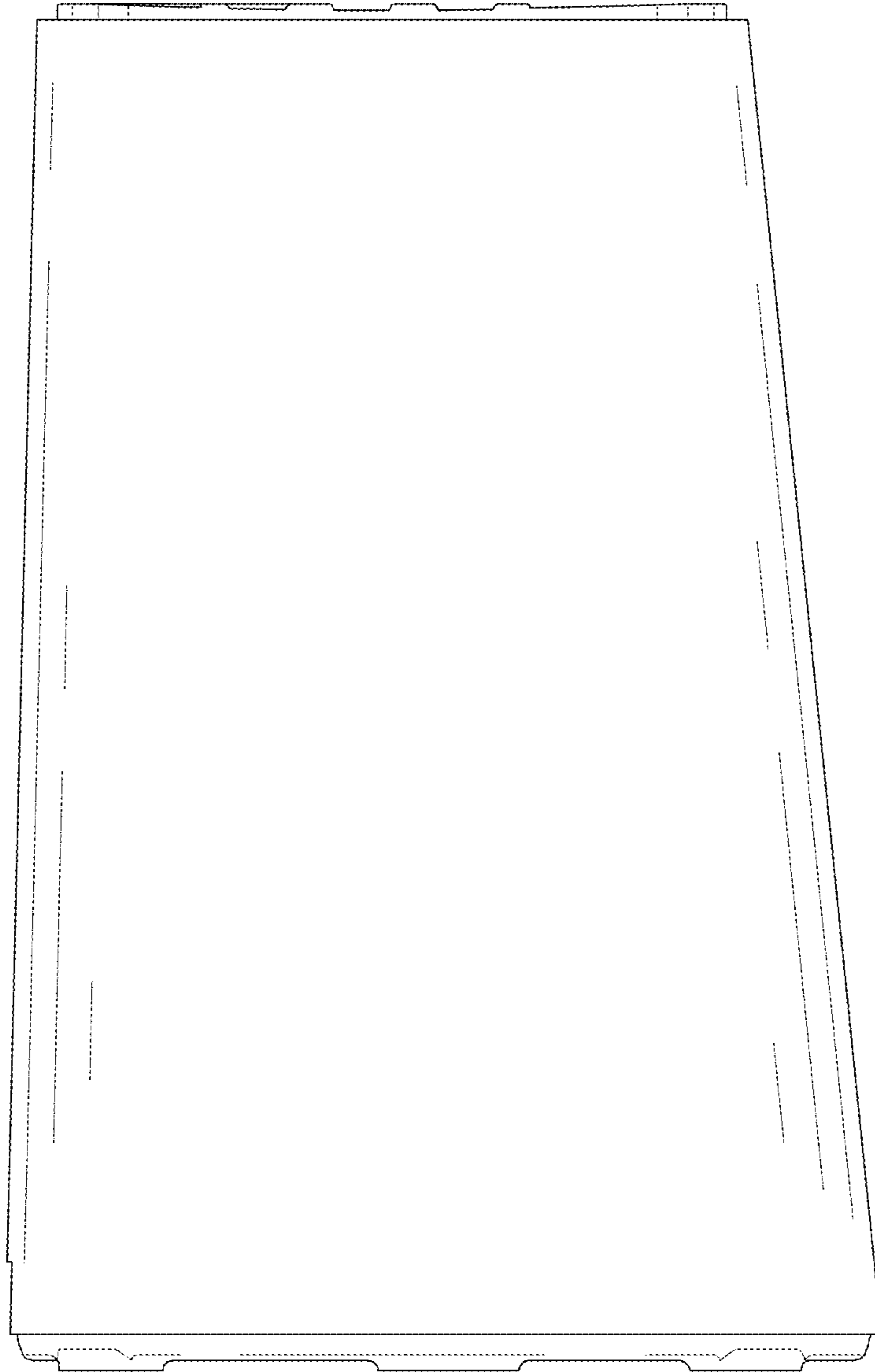


FIG. 4

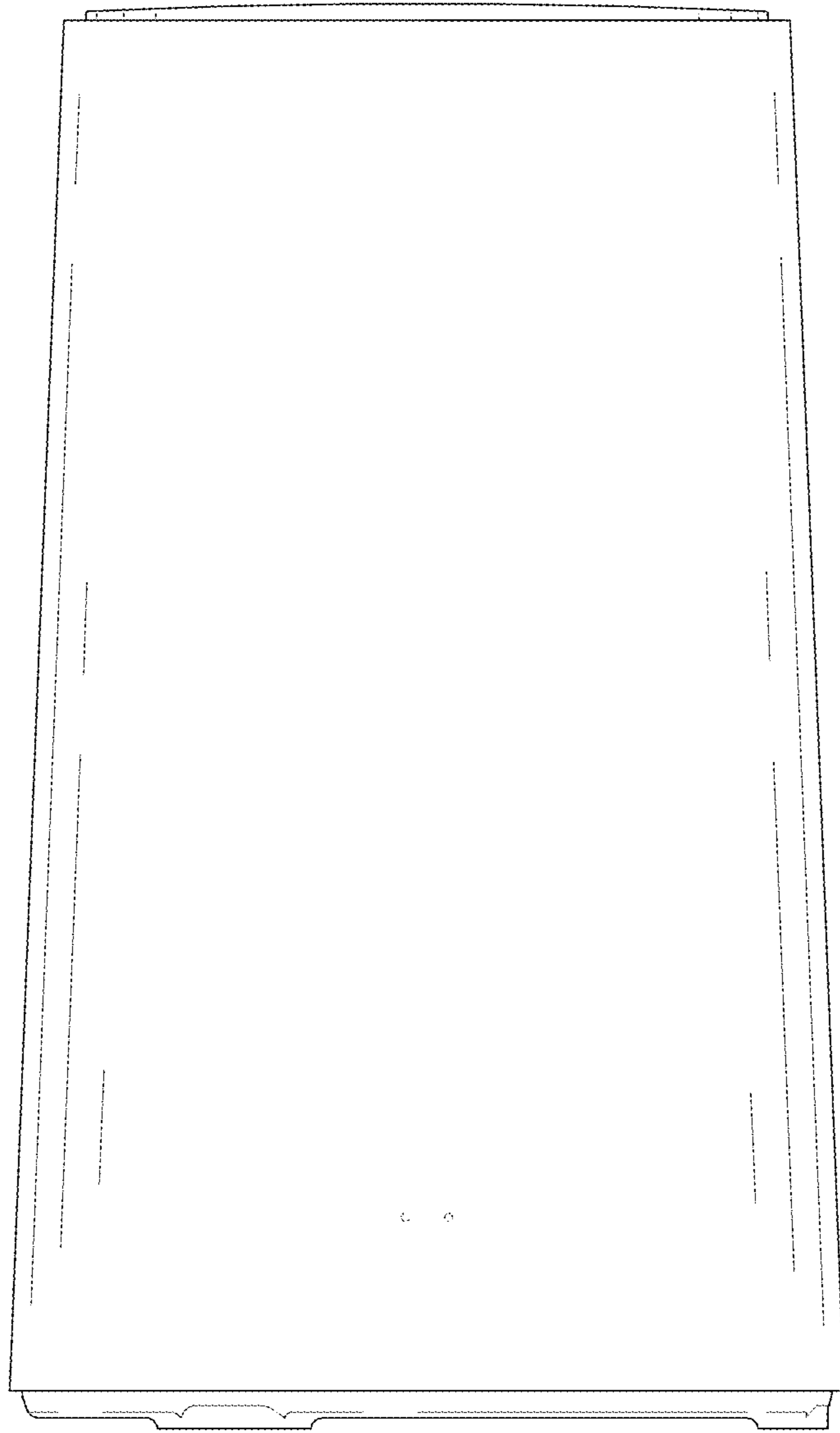


FIG. 5

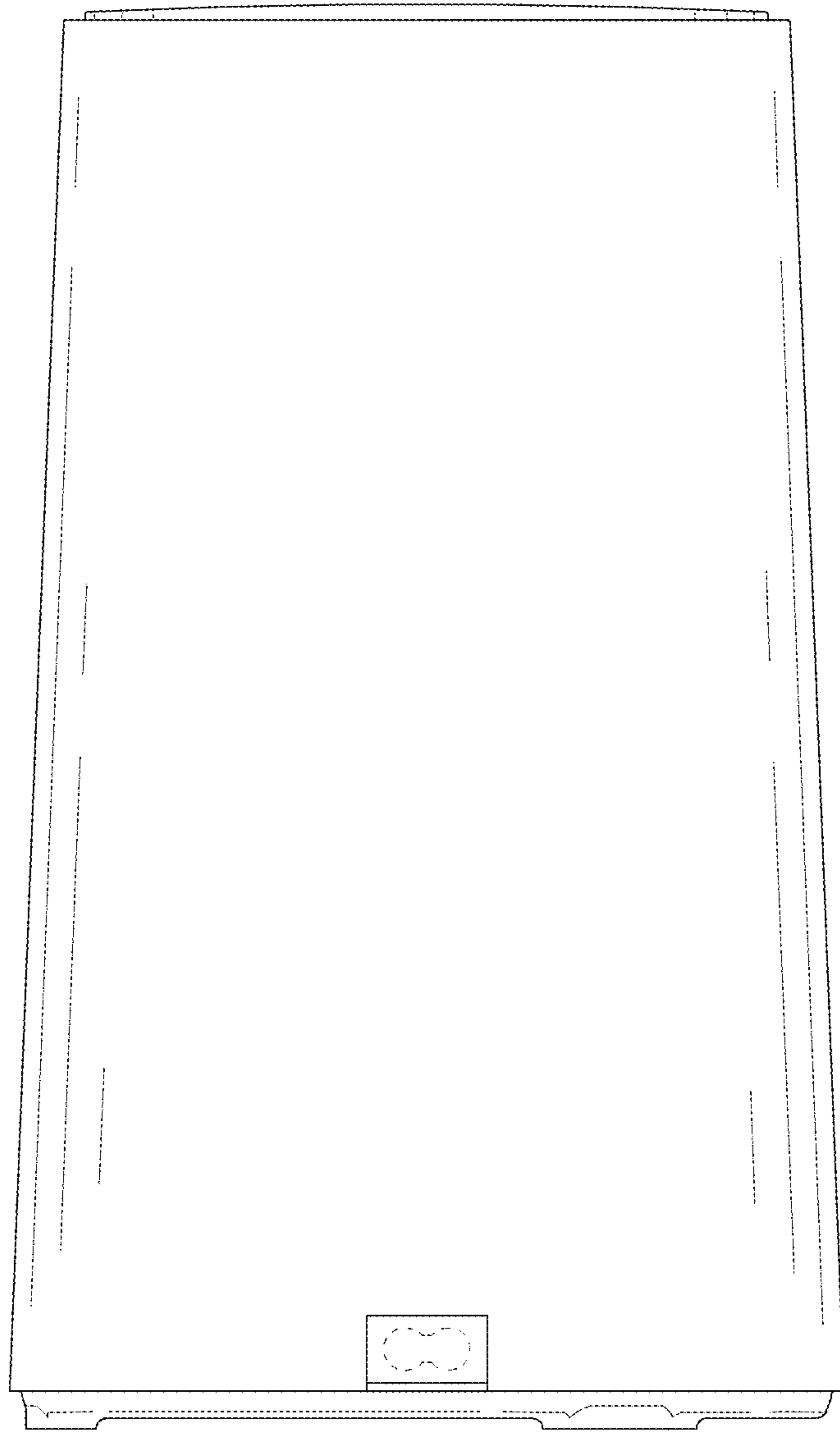


FIG. 6

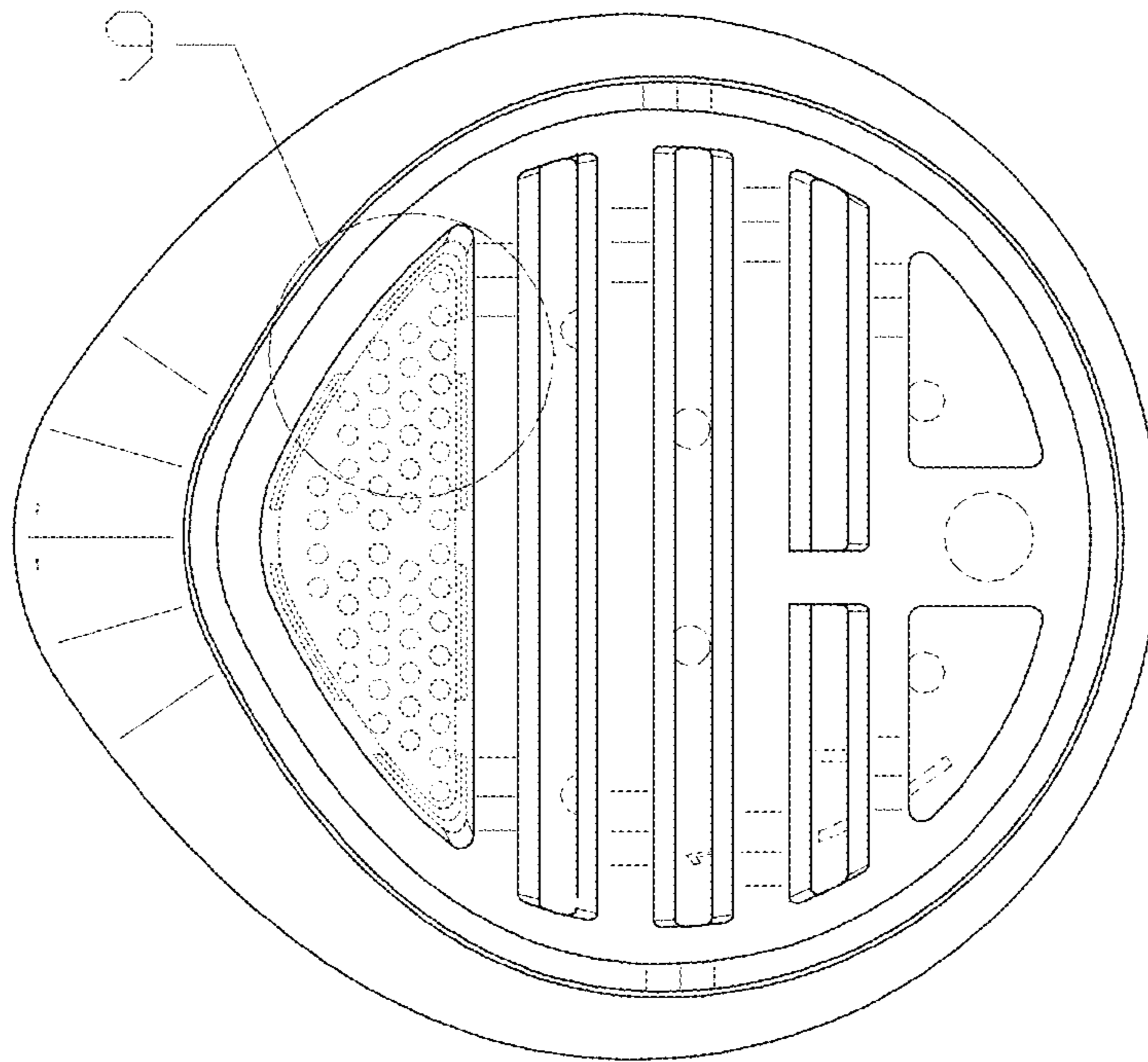


FIG. 7



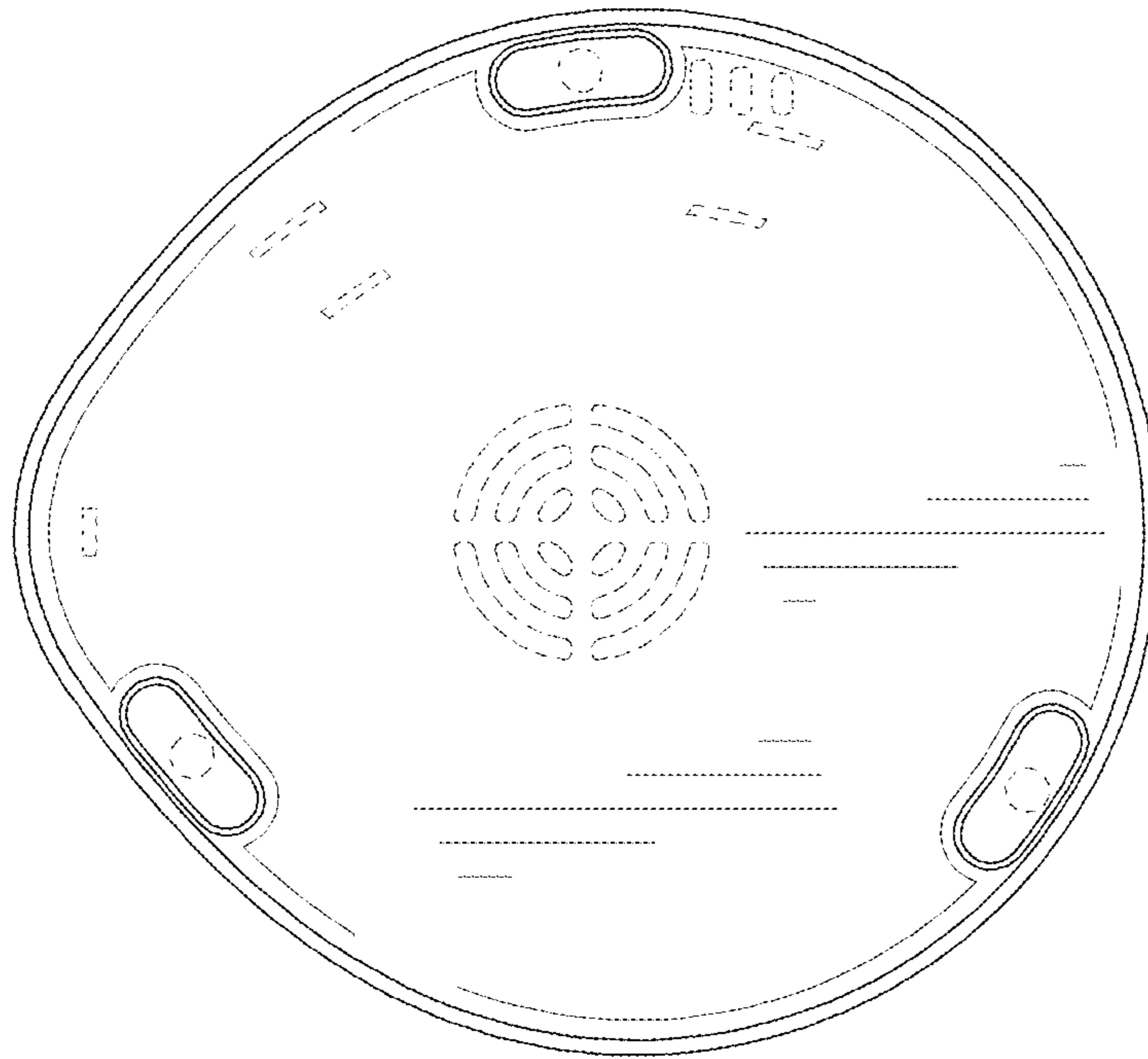


FIG. 8

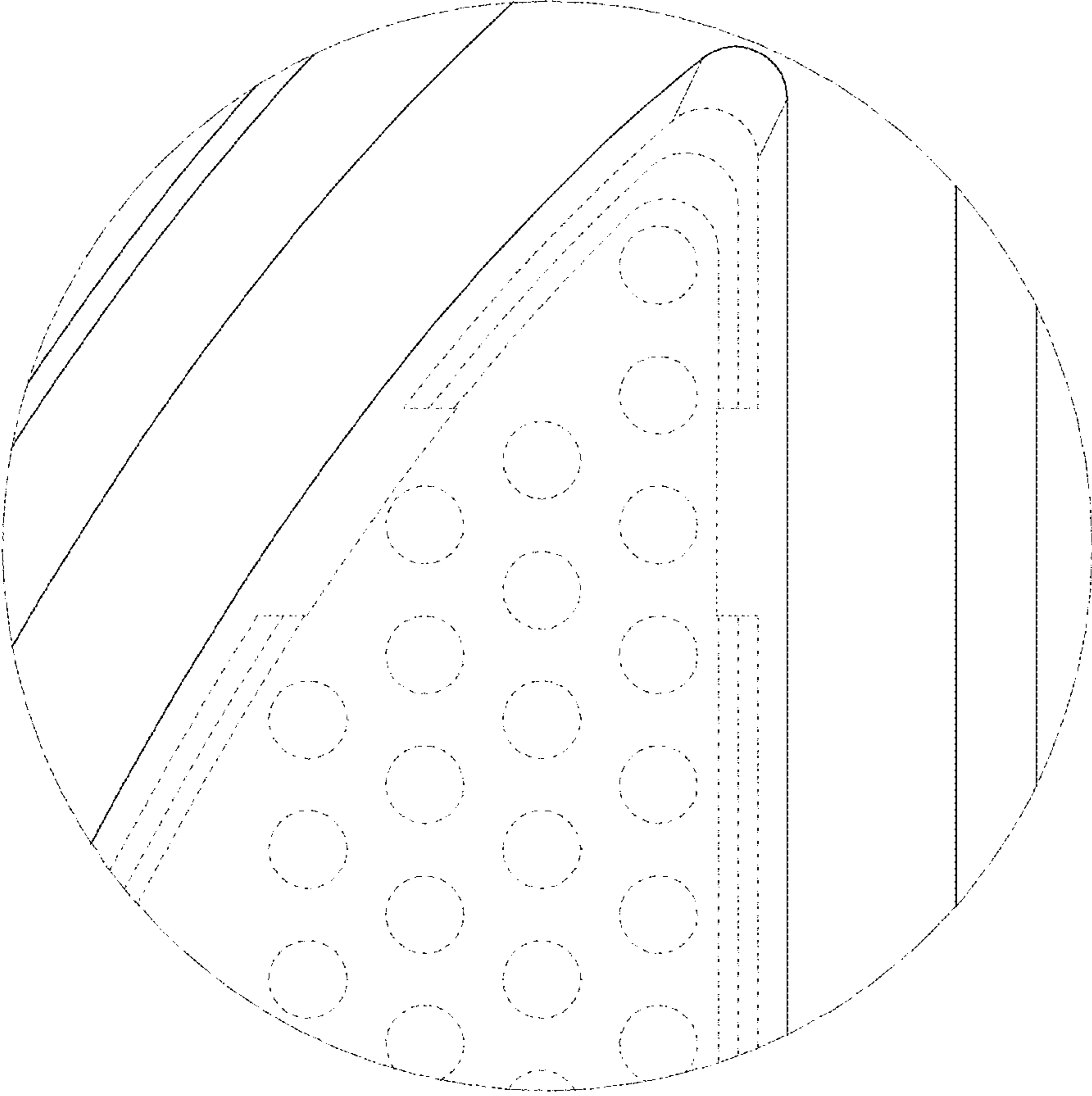


FIG. 9