



US00D972388S

(12) **United States Design Patent** (10) **Patent No.:** **US D972,388 S**
Hyde et al. (45) **Date of Patent:** **** Dec. 13, 2022**

(54) **HYDRAULIC TOOL** 7,934,847 B2 5/2011 Oomori et al.
8,308,034 B2 11/2012 Shibata et al.
8,316,685 B2 * 11/2012 Stucki B25B 27/10
72/452.8
(71) Applicant: **Milwaukee Electric Tool Corporation,** 8,342,001 B2 * 1/2013 Zhang B25B 27/10
Brookfield, WI (US) 72/453.16
(72) Inventors: **Brian J. Hyde,** Brookfield, WI (US); 8,517,558 B2 8/2013 Oomori et al.
Nathan J. Krause, Grafton, WI (US); 8,573,322 B2 11/2013 Nagasaka et al.
Eric D. Norquist, Milwaukee, WI D710,173 S * 8/2014 Frenken D8/68
(US); **Amanda M. Kachar,** West Allis, 8,997,543 B2 * 4/2015 Therrien H01R 43/042
WI (US) 72/414
(73) Assignee: **Milwaukee Electric Tool Corporation,** 9,016,397 B2 4/2015 Kuroyanagi et al.
Brookfield, WI (US) D729,602 S * 5/2015 Stucki D8/61
9,457,461 B2 10/2016 Francis et al.
(Continued)

(**) Term: **15 Years**

FOREIGN PATENT DOCUMENTS

(21) Appl. No.: **29/731,972**
(22) Filed: **Apr. 20, 2020**
(51) **LOC (13) Cl.** **08-05**
(52) **U.S. Cl.**
USPC **D8/70**
(58) **Field of Classification Search**
USPC D8/7, 21, 24, 25, 29, 36, 40, 60, 61, 68,
D8/70, 85; D21/532
CPC B25B 27/10; B25B 27/026; B25B 27/146;
B21D 37/10; B21D 39/048; B23D 29/00;
B23D 29/002; B23D 27/04; B23D
35/002; B25F 5/021
See application file for complete search history.

EP 0941813 A1 9/1999
WO 2018/213226 A2 11/2018
WO 2020/069531 A1 4/2020

Primary Examiner — Darlington Ly
(74) *Attorney, Agent, or Firm* — Quarles & Brady LLP

(57) **CLAIM**

The ornamental design for a hydraulic tool, as shown and described.

DESCRIPTION

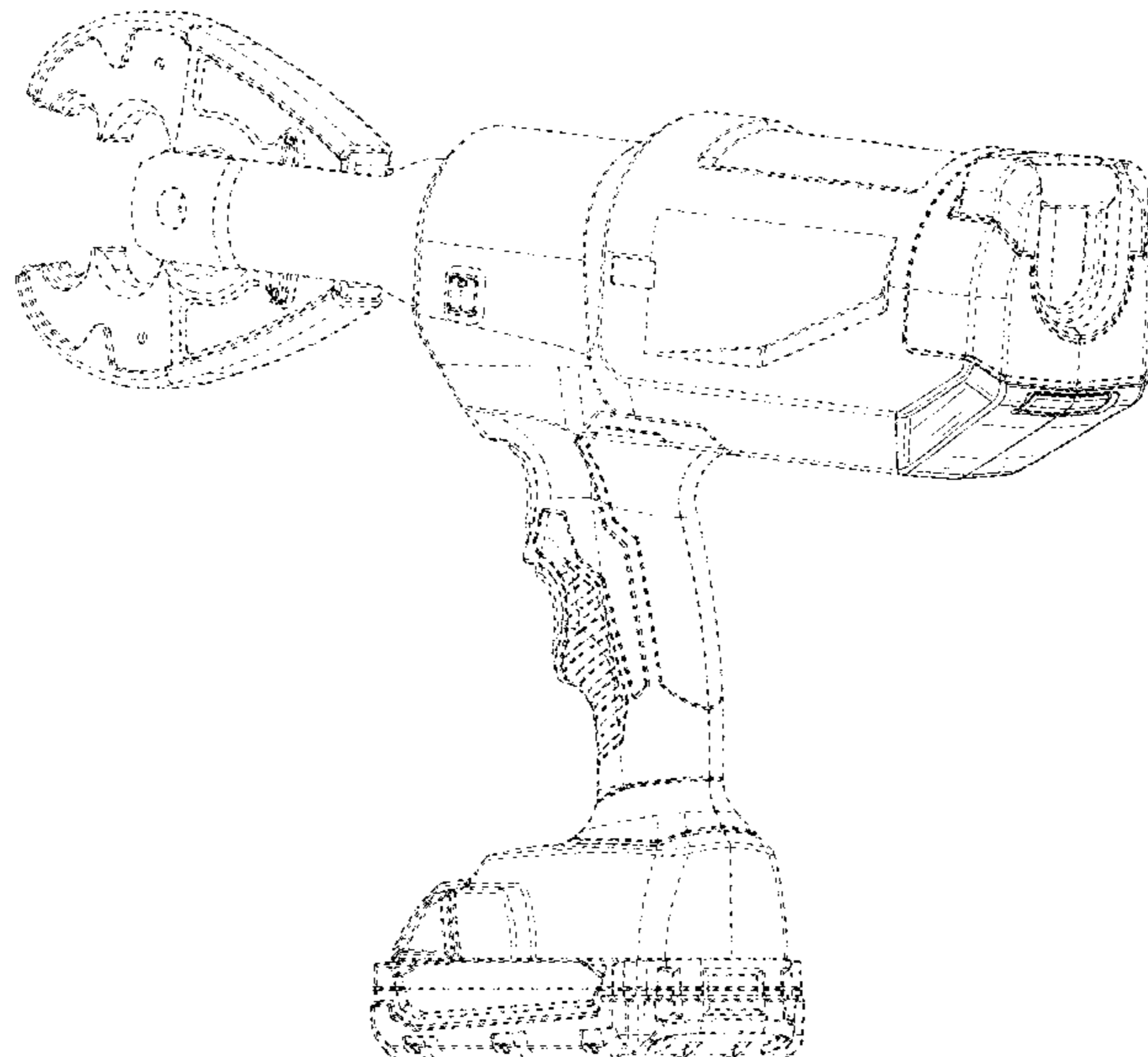
FIG. 1 is a rear and left side perspective view of a hydraulic tool embodying our new design;
FIG. 2 is a front elevation view thereof;
FIG. 3 is a rear elevation view thereof;
FIG. 4 is a right side elevation view thereof;
FIG. 5 is a left side elevation view thereof;
FIG. 6 is a top plan view thereof;
FIG. 7 is a bottom plan view thereof; and,
FIG. 8 is a partial and enlargement rear and left side perspective view thereof.
The broken lines in the drawings illustrate portions of the hydraulic tool that form no part of the claimed design.

(56) **References Cited**

U.S. PATENT DOCUMENTS

3,492,854 A * 2/1970 Eppler H01R 43/042
72/412
D387,961 S * 12/1997 Yasui D8/68
D404,627 S * 1/1999 Hirabayashi D8/68
D408,242 S * 4/1999 Yamamoto D8/61
6,718,870 B1 * 4/2004 Frenken B25B 27/10
100/102
7,306,052 B2 12/2007 Vahabi-Nejad et al.

1 Claim, 6 Drawing Sheets



(56)

References Cited

U.S. PATENT DOCUMENTS

9,484,700	B2 *	11/2016	Kehoe	H01R 43/0427
D774,858	S *	12/2016	Stucki	D8/61
9,573,257	B2	2/2017	Kynast et al.	
D805,365	S *	12/2017	Ballard	D8/69
9,923,249	B2	3/2018	Rejman et al.	
D823,088	S *	7/2018	Lefavour	D8/68
D832,670	S *	11/2018	Uchiyama	D8/61
D834,908	S *	12/2018	Konnecke	D8/61
D835,487	S *	12/2018	Wason	D8/61
D835,963	S *	12/2018	Barezzani	D8/68
D845,733	S *	4/2019	Yajima	D8/68
D845,734	S *	4/2019	Kamijo	D8/68
D859,949	S *	9/2019	Wason	D8/61
D891,212	S *	7/2020	Suzuki	D8/61
D897,174	S *	9/2020	Konnecke	D8/61
2007/0256554	A1 *	11/2007	Montminy	F01B 3/0035 92/70
2009/0313820	A1 *	12/2009	Roman, Jr.	H01R 43/0428 29/863
2010/0000288	A1 *	1/2010	Barezzani	B21J 15/20 72/453.15
2018/0131151	A1	5/2018	Chahrour	

* cited by examiner

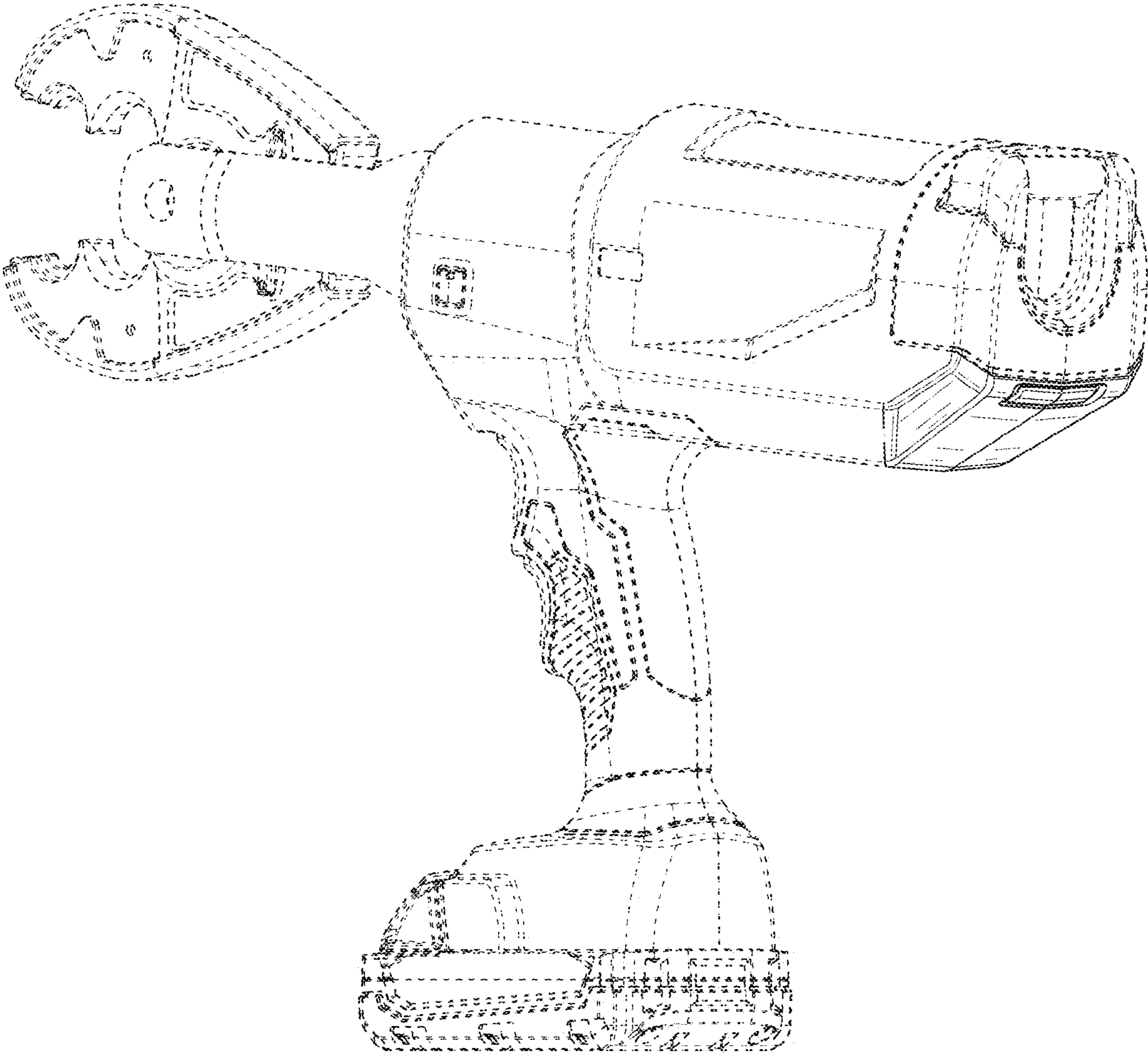


FIG. 1

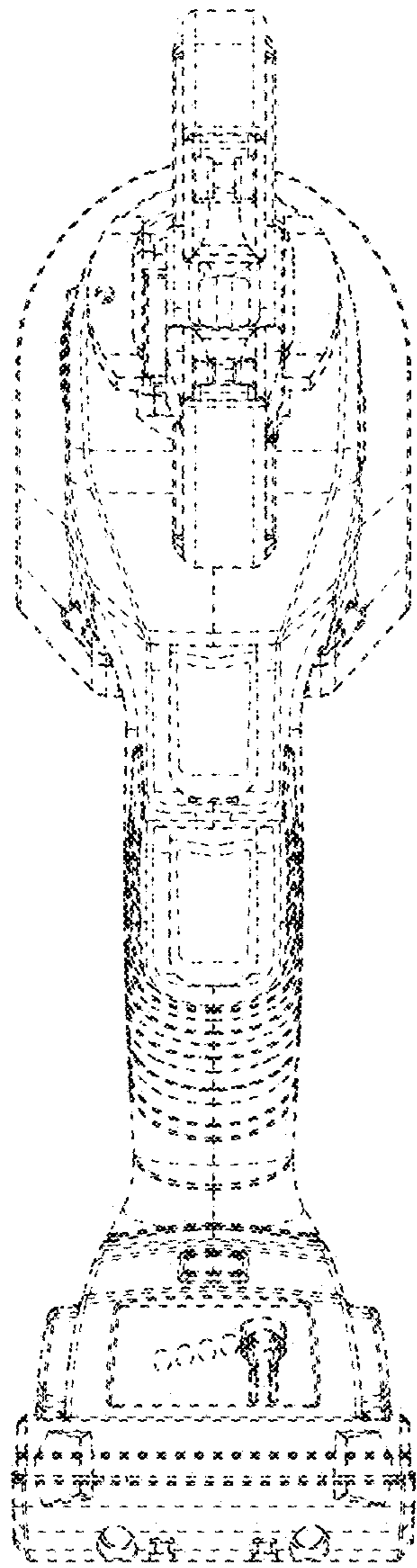


FIG. 2

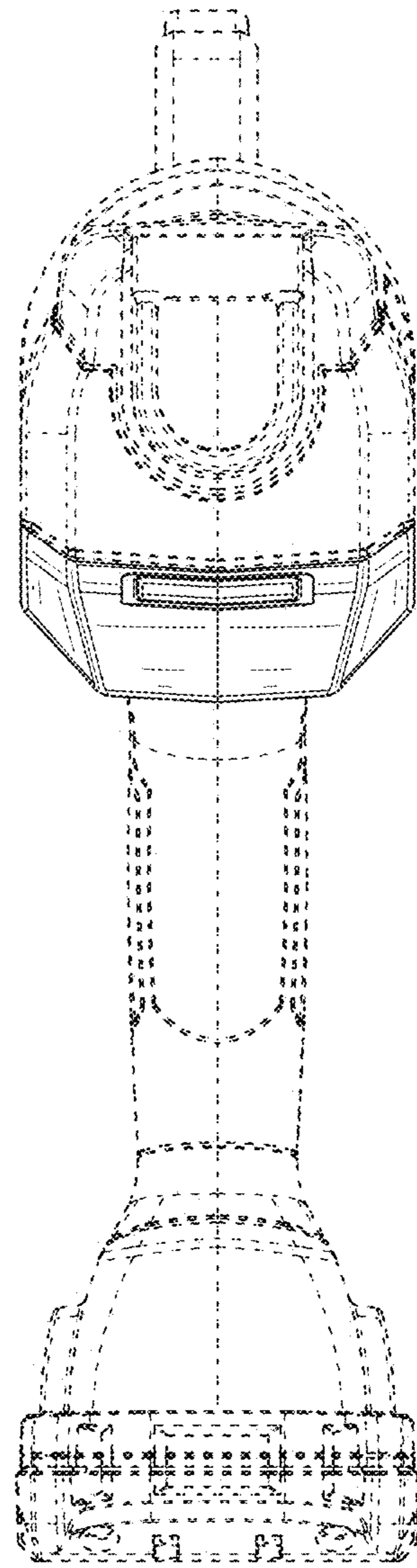


FIG. 3

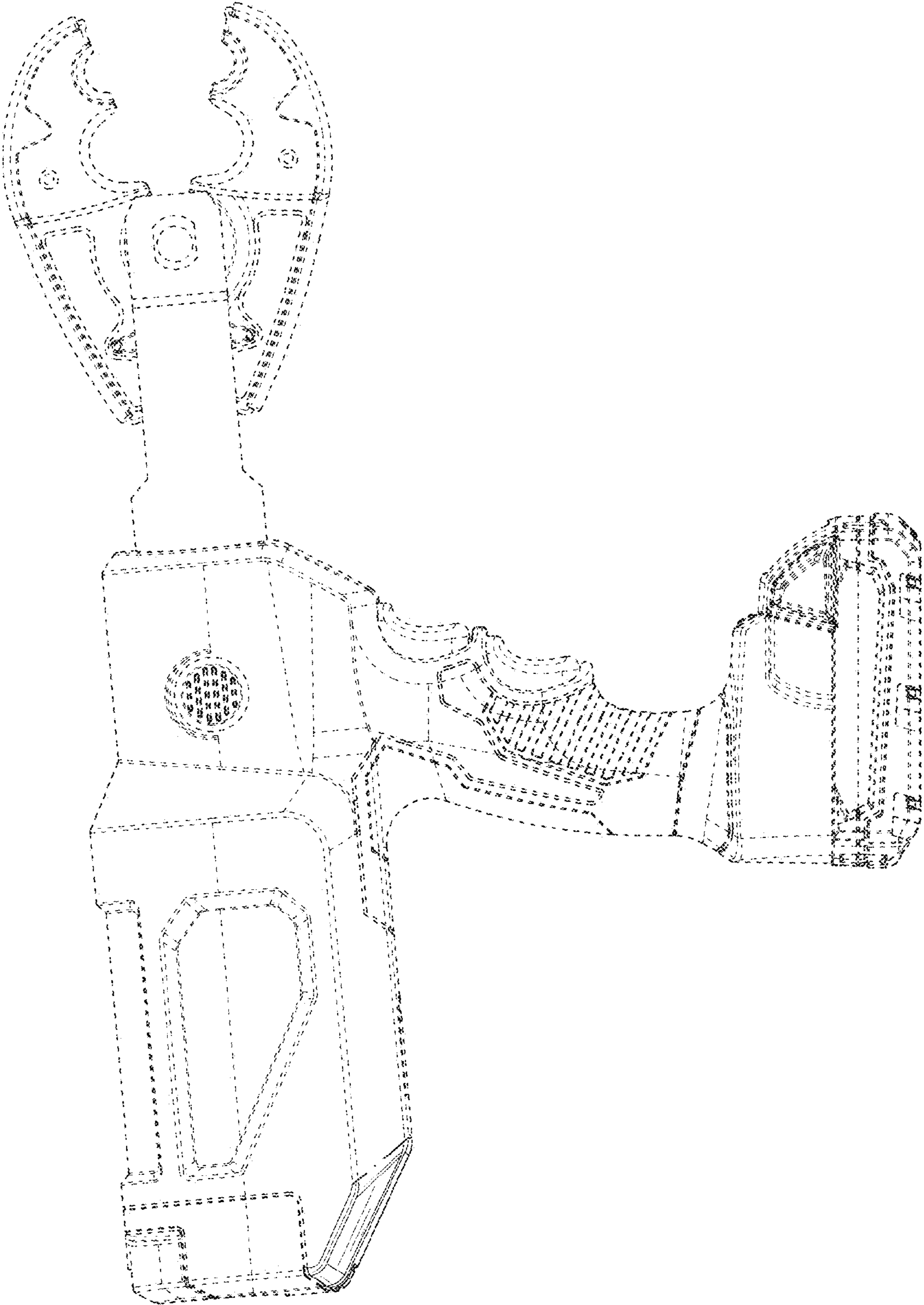


FIG. 4

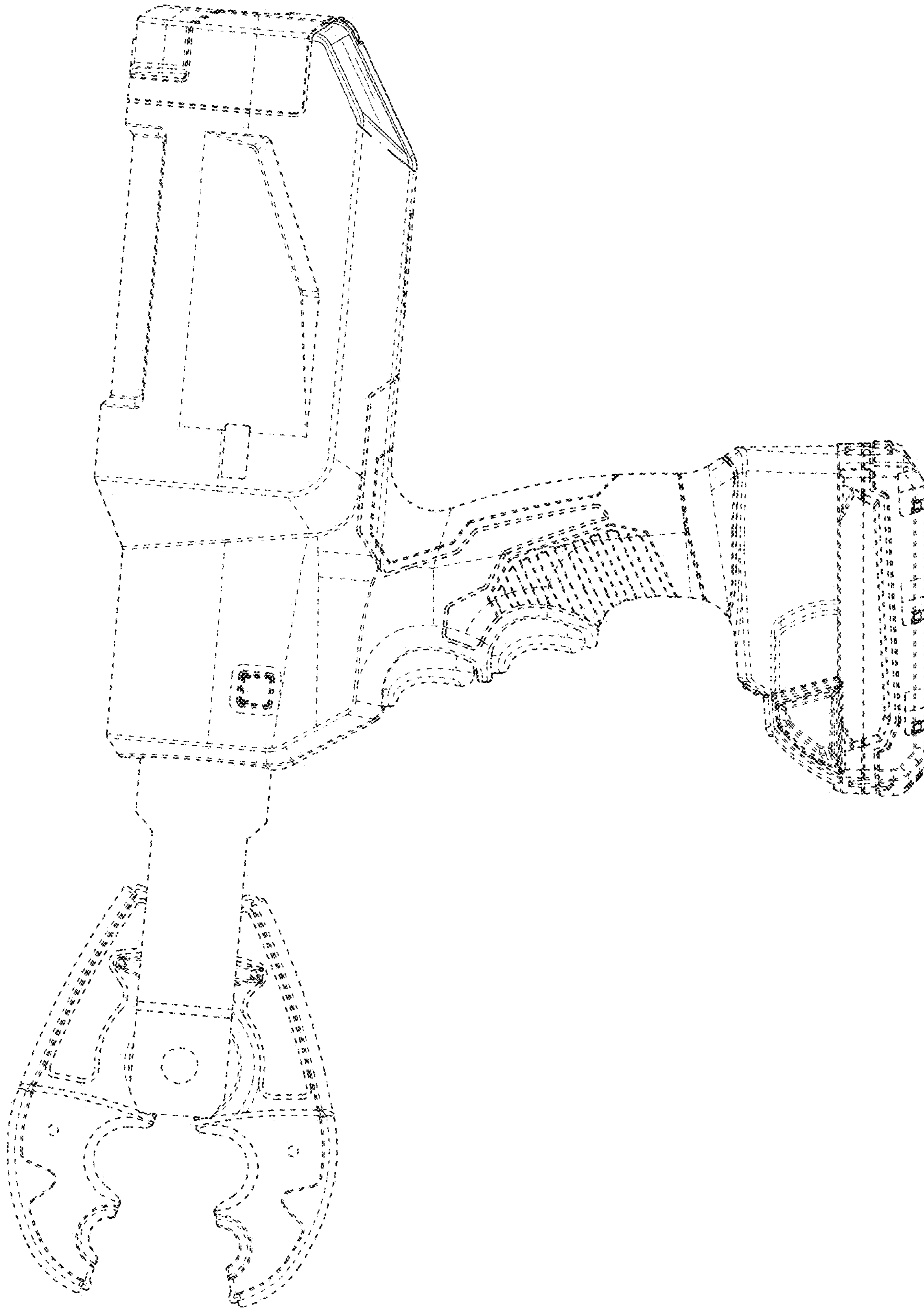


FIG. 5

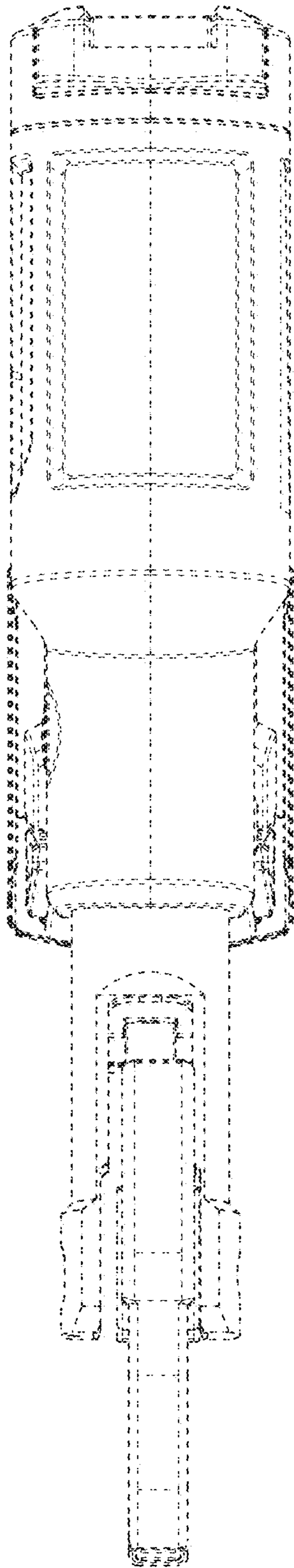


FIG. 6

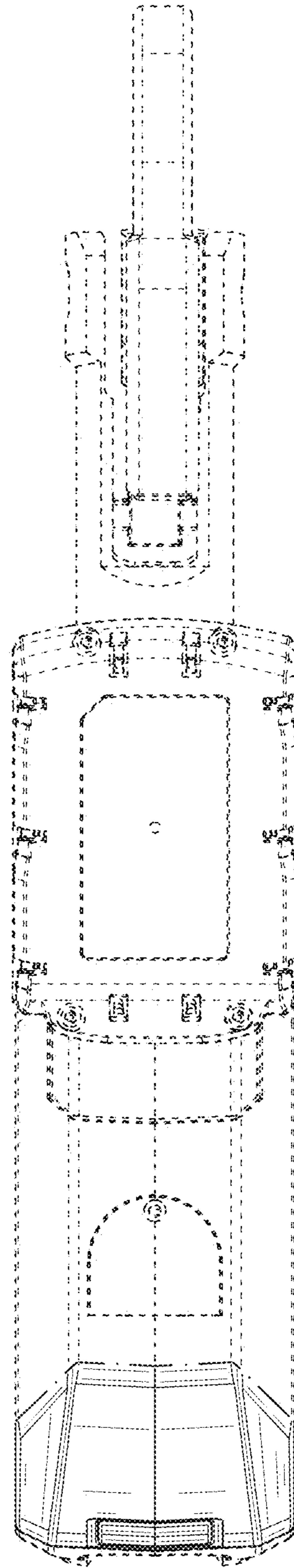


FIG. 7

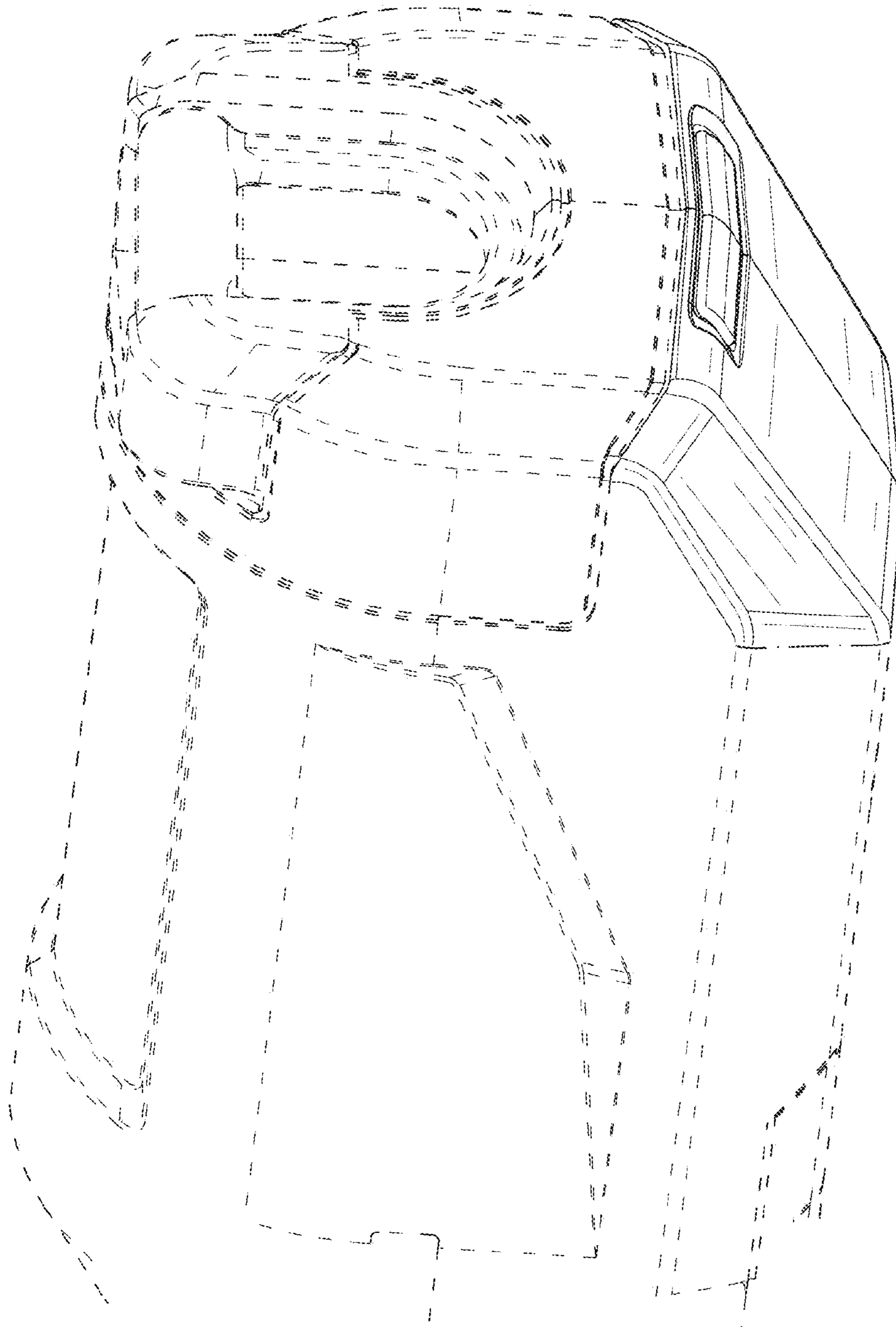


FIG. 8