



US00D972387S

(12) **United States Design Patent** (10) **Patent No.:** **US D972,387 S**
He (45) **Date of Patent:** **** Dec. 13, 2022**

(54) **SCISSOR**

FOREIGN PATENT DOCUMENTS

(71) Applicant: **YANGJIANG YOJII HOUSEWARES CO., LTD**, Yangjiang (CN)

CN 306905191 * 10/2021
EM 008832521-0 * 1/2022

(72) Inventor: **Rufeng He**, YangJiang (CN)

OTHER PUBLICATIONS

(**) Term: **15 Years**

(21) Appl. No.: **29/821,977**

(22) Filed: **Jan. 5, 2022**

(51) **LOC (13) Cl.** **08-03**

(52) **U.S. Cl.**
USPC **D8/57**

(58) **Field of Classification Search**

USPC D8/73, 394, 72, 382, 57, 93, 5, 51-53,
D8/105, 107; D7/693; D22/150;
D24/148, 149, 231; D28/55; D30/158
CPC B25C 11/02; B25C 11/00; A61B 17/076;
A61B 17/03
See application file for complete search history.

6 in 1 Japanese stainless steel multi-function tpr handle houseware shears meat cutting heavy duty separable kitchen ,Google.com, [online], [site visited Jul. 26, 2022], Available from internet URL: https://www.alibaba.com/pla/6-in-1-japanese-stainless-steel_62483460635.html?mark=google_shopping&biz (Year: NA).
Slice 10545_sell_sheet_20200714 https://cdn.shopify.com/s/files/1/0635/4468/8866/files/10545_sell_sheet_20200714.pdf?v=1208366852226325409 Jul. 14, 2020 (Year: 2020).*

* cited by examiner

Primary Examiner — Leanne Was-Englehart

(74) *Attorney, Agent, or Firm* — Rumit Ranjit Kanakia

(57) **CLAIM**

The ornamental design for a scissor, as shown and described.

(56) **References Cited**

DESCRIPTION

U.S. PATENT DOCUMENTS

D301,678 S * 6/1989 Linden D8/57
D393,192 S * 4/1998 Cornell D8/57
D395,992 S * 7/1998 Bennett D8/57
D419,412 S * 1/2000 Chang D8/57
D471,780 S * 3/2003 Lai D8/57
D536,588 S * 2/2007 Peterson D8/57
D536,589 S * 2/2007 Peterson D8/57
D640,106 S 6/2011 Molina
D649,418 S * 11/2011 Molina D8/57
D680,840 S 4/2013 Bhasin
D713,700 S 9/2014 Iwasaki
D713,701 S * 9/2014 Kozakai D8/57
D717,623 S * 11/2014 Savolainen D8/57
D719,805 S 12/2014 Iwasaki
D786,038 S * 5/2017 Roberts D8/57
D786,039 S 5/2017 Roberts
D787,286 S * 5/2017 Roberts D8/57

FIG. 1 is a perspective view of a scissor showing my new design;

FIG. 2 is another perspective view thereof;

FIG. 3 is a front elevational view thereof;

FIG. 4 is a rear elevational view thereof;

FIG. 5 is a left side elevational view thereof;

FIG. 6 is a right side elevational view thereof;

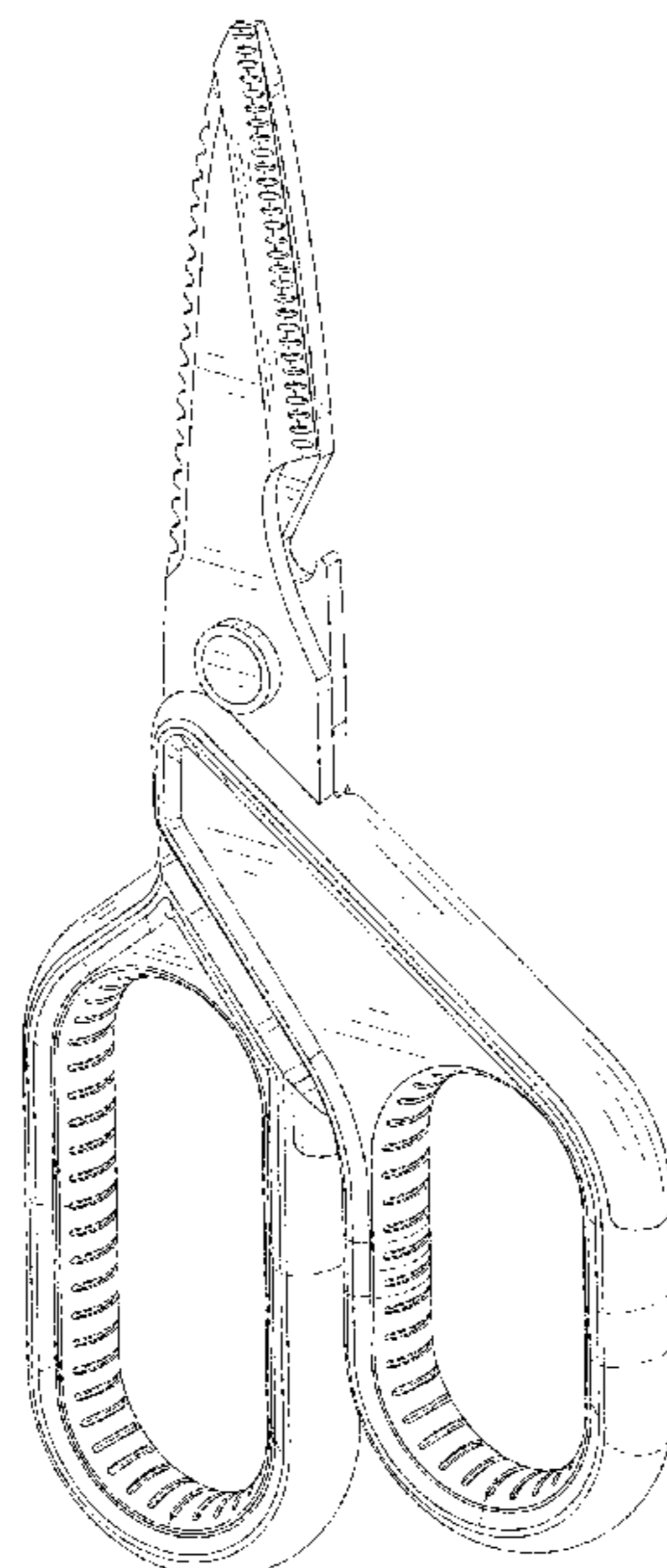
FIG. 7 is a top plan view thereof;

FIG. 8 is a bottom plan view thereof; and,

FIG. 9 is a partial enlarged view of area 9 encircled in FIG. 7.

The broken lines in the drawings represent the perimeter of the enlarged portion of the claimed design and does not form part of the claimed design.

1 Claim, 7 Drawing Sheets



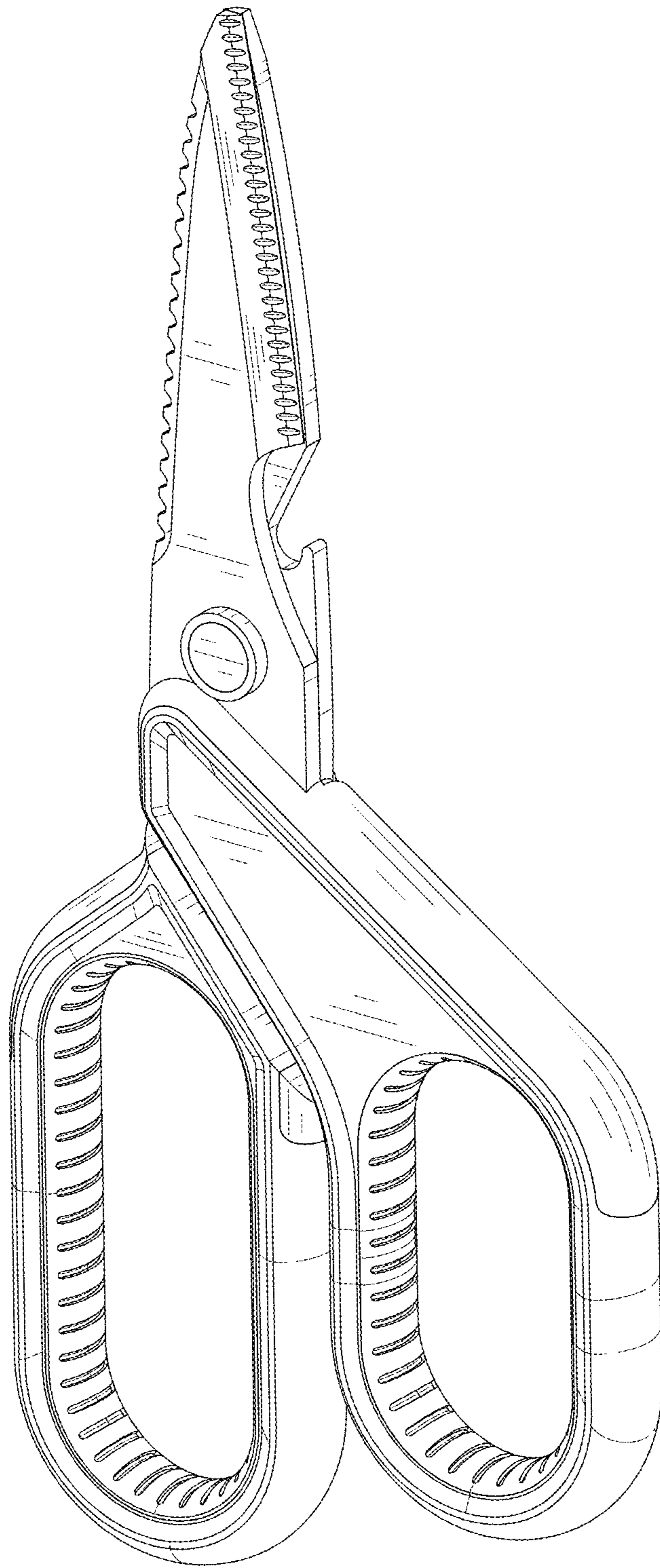


FIG. 1

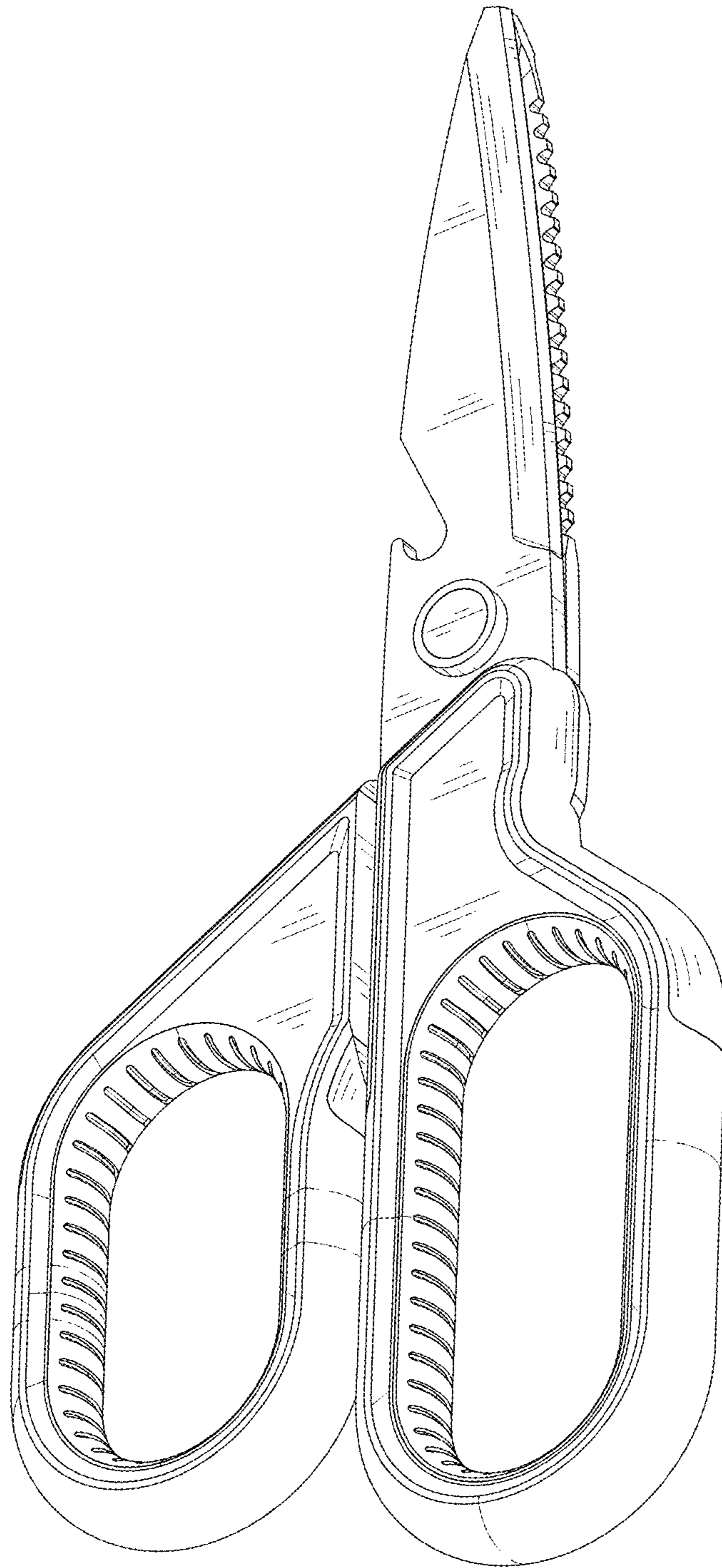


FIG. 2

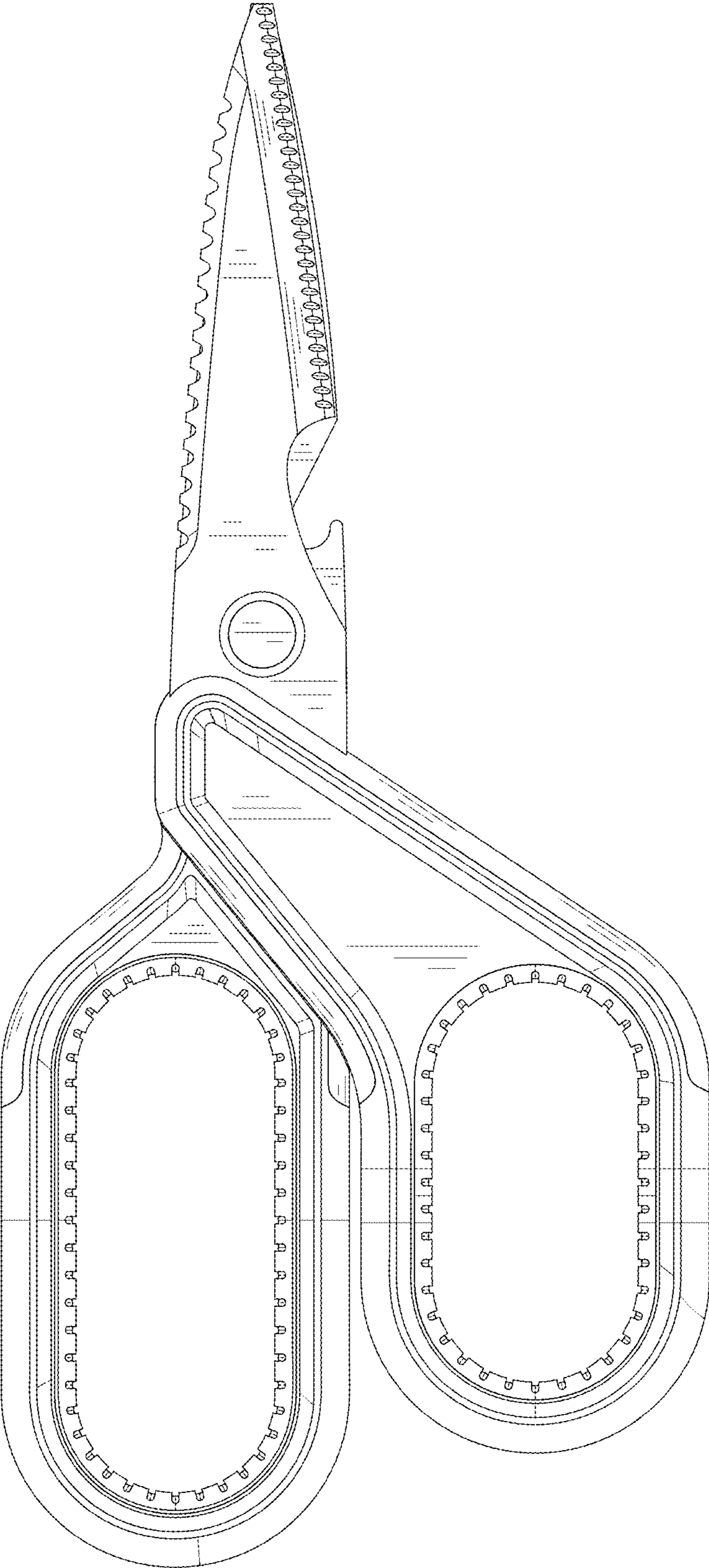


FIG. 3

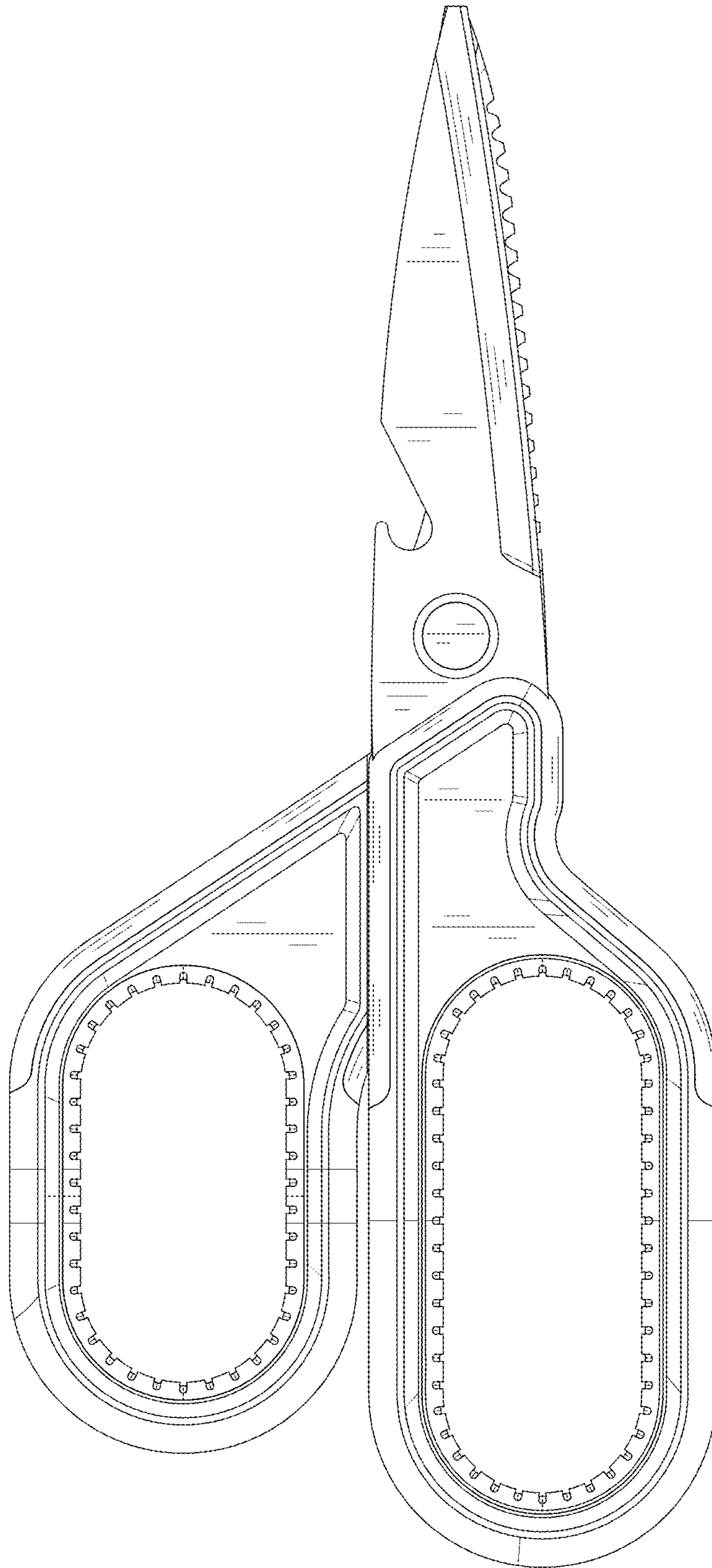


FIG. 4

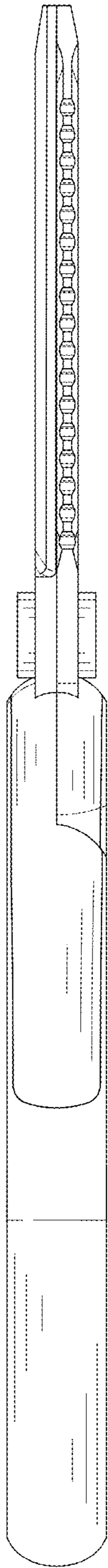


FIG. 5

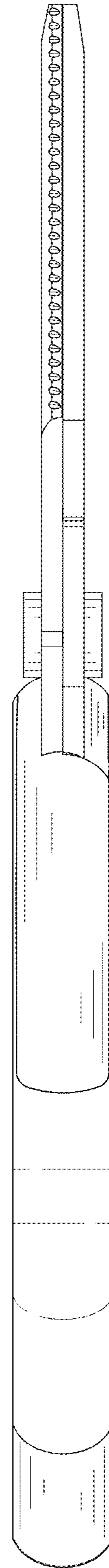


FIG. 6

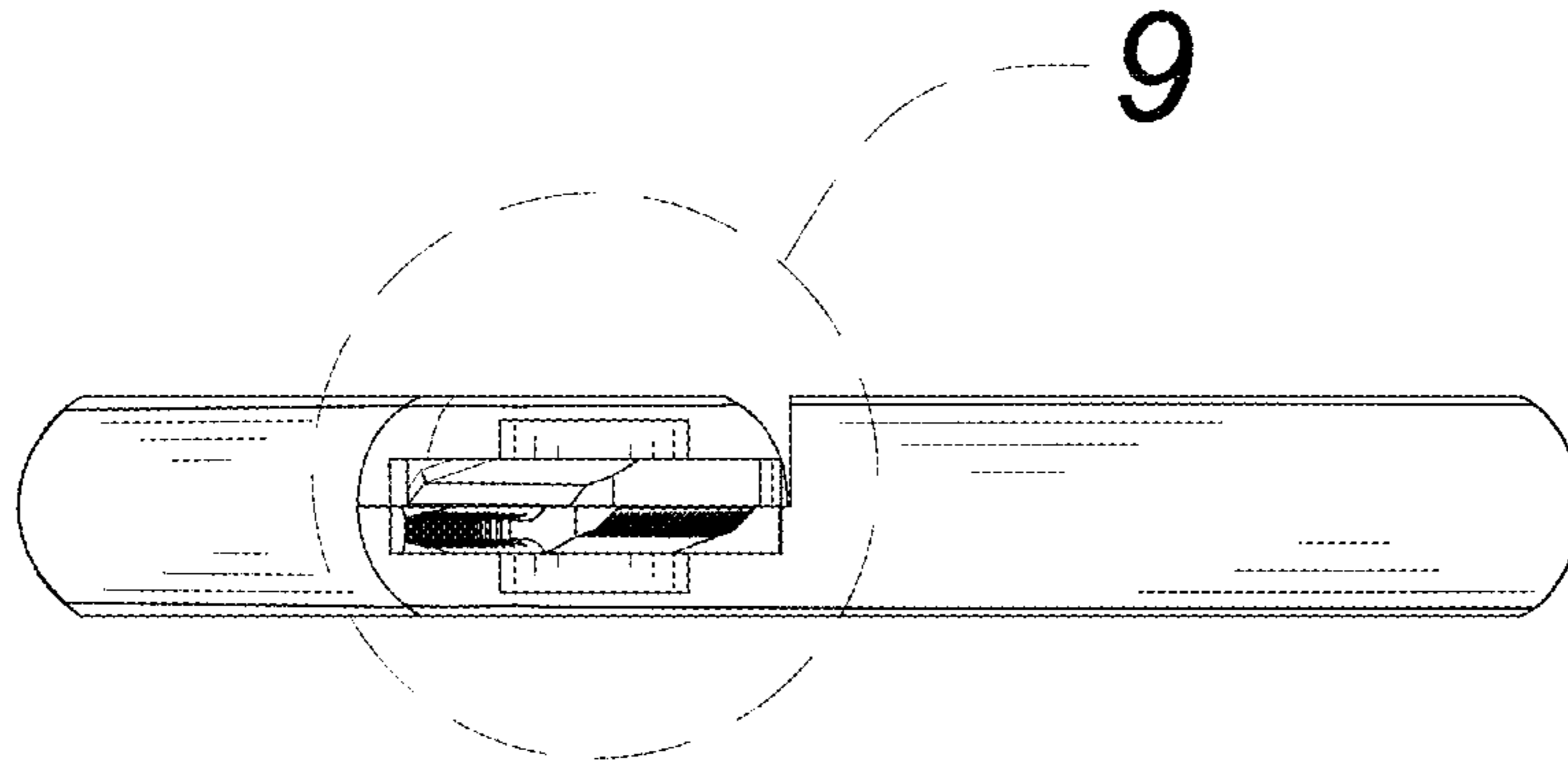


FIG. 7

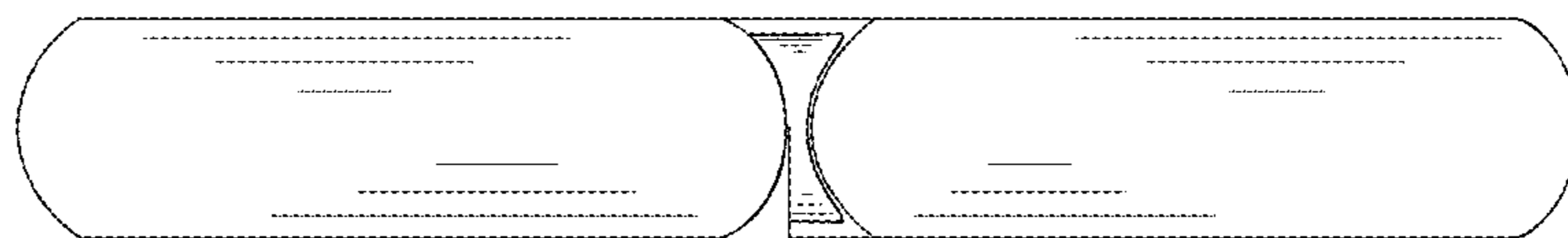


FIG. 8

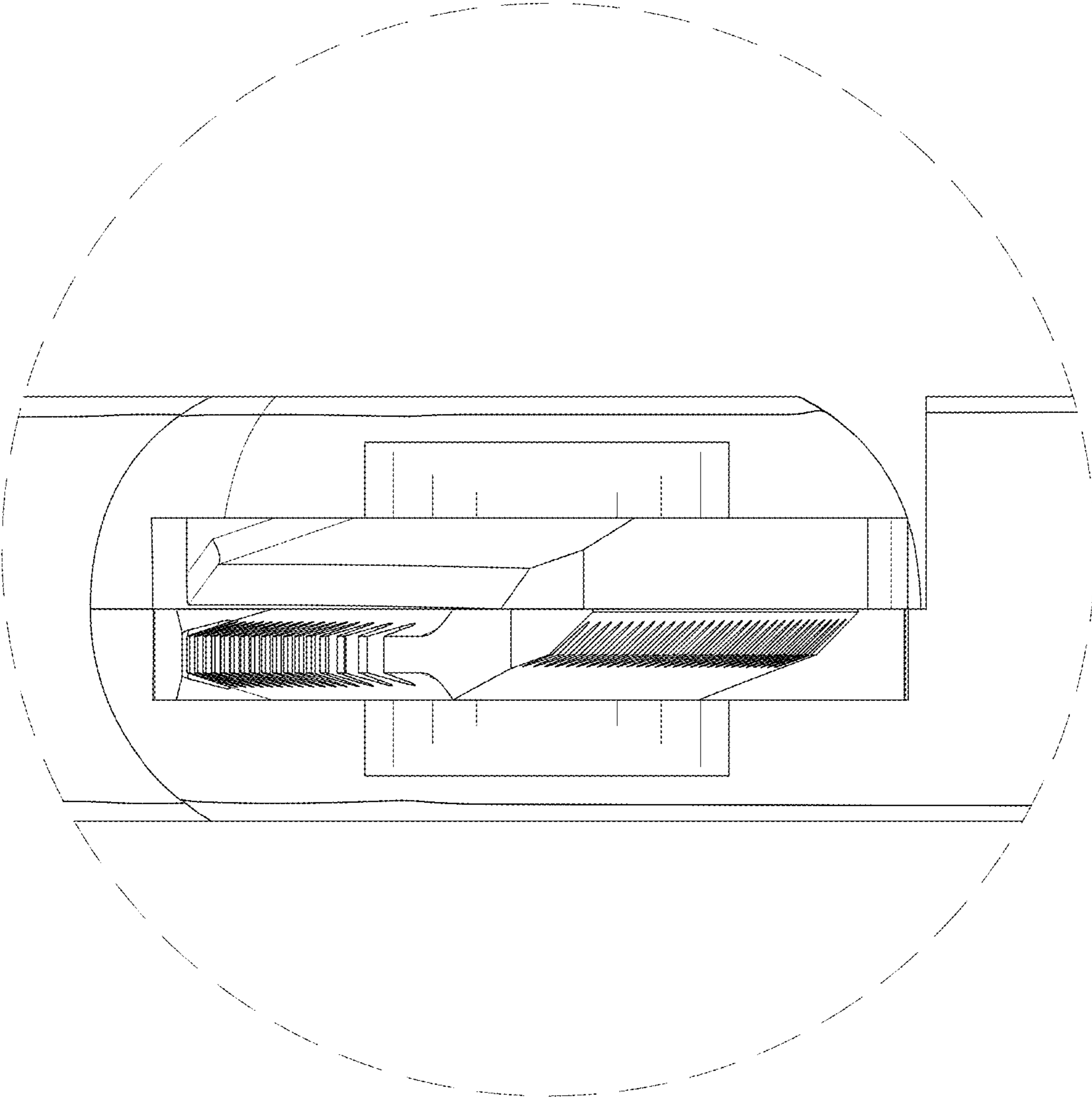


FIG. 9