



US00D972383S

(12) **United States Design Patent** (10) **Patent No.:** **US D972,383 S**  
**Tian et al.** (45) **Date of Patent:** **\*\* Dec. 13, 2022**

(54) **UNIVERSAL FAUCET NUT WRENCH**

(71) Applicant: **JPJ INVESTMENT HOLDING CORP.**, Covina, CA (US)

(72) Inventors: **Yeqing Tian**, Shanghai (CN); **Jonathan S. Beckwith**, Raleigh, NC (US)

(73) Assignee: **OLYMPIA TOOLS INTERNATIONAL, INC.**, Covina, CA (US)

(\*\*) Term: **15 Years**

(21) Appl. No.: **29/724,666**

(22) Filed: **Feb. 18, 2020**

(30) **Foreign Application Priority Data**

Aug. 22, 2019 (CN) ..... 201930458312.0

(51) **LOC (13) Cl.** ..... **08-05**

(52) **U.S. Cl.**  
USPC ..... **D8/29; D8/21**

(58) **Field of Classification Search**

USPC ..... D8/399, 397, 29, 28, 26, 25, 21, 22, 16, D8/19, 17; D24/133, 152, 155, 156  
CPC ..... B25B 13/08; B25B 13/16; B25B 13/46; B25B 13/48; B25B 13/56; B25B 13/481; B25B 13/461; B25B 13/462; B25B 13/463;

(Continued)

(56) **References Cited**

**U.S. PATENT DOCUMENTS**

3,768,345 A \* 10/1973 Barnes ..... B25B 13/02  
81/176.15

D376,521 S \* 12/1996 Farnan ..... D8/29  
(Continued)

**OTHER PUBLICATIONS**

Superior Tool 03825 Basin Buddy Faucet Nut Wrench-Wrench to grab metal, pvc, plastic, and coupling nuts. (Feb. 21, 2012). Ama-

zon. Retrieved Nov. 4, 2021, URL:<<https://www.amazon.com/Superior-Tool-03825-Wrench-Wrench-coupling/dp/B007BI7IJA>> (Year: 2012).\*

(Continued)

*Primary Examiner* — Rachel A. Voorhies

*Assistant Examiner* — Benjamin D. Wannemacher

(74) *Attorney, Agent, or Firm* — Patterson + Sheridan, LLP

(57) **CLAIM**

The ornamental design for a universal faucet nut wrench, as shown and described.

**DESCRIPTION**

FIG. 1 is a top left front perspective view of a universal faucet nut wrench showing our new design in a closed configuration;

FIG. 2 is a top right rear perspective view thereof;

FIG. 3 is a bottom left front perspective view thereof;

FIG. 4 is a bottom right rear perspective view thereof;

FIG. 5 is a front elevational view thereof;

FIG. 6 is a rear elevational view thereof;

FIG. 7 is a right elevational view thereof;

FIG. 8 is a left elevational view thereof;

FIG. 9 is a top plan view thereof;

FIG. 10 is a bottom plan view thereof;

FIG. 11 is another top left front perspective thereof in an open configuration;

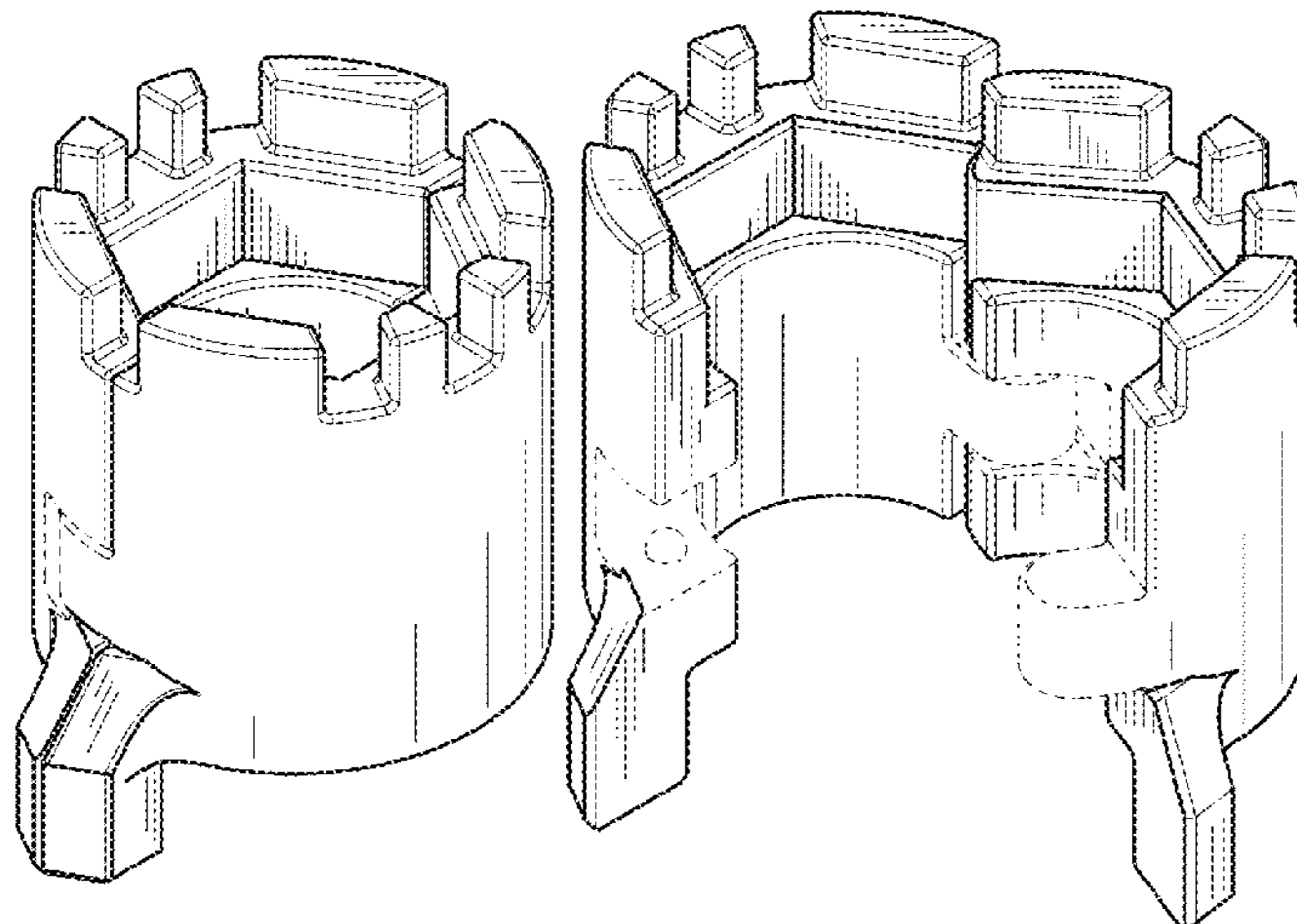
FIG. 12 is another bottom left front perspective view thereof in the open configuration;

FIG. 13 is another top plan view thereof in the open configuration; and,

FIG. 14 is another top left front perspective thereof in the closed configuration with an unclaimed environment of intended use, specifically a socket.

The portions of the universal faucet nut wrench shown in broken lines and the socket shown in FIG. 14 in broken lines form no part of the claimed design.

**1 Claim, 7 Drawing Sheets**



(58) **Field of Classification Search**

CPC ..... B25B 23/1425; B25B 23/16; B25B  
23/0035; B25B 23/00; B25B 21/004  
See application file for complete search history.

(56) **References Cited**

U.S. PATENT DOCUMENTS

D403,934 S \* 1/1999 Girdler ..... D8/27  
6,701,807 B1 \* 3/2004 Gammon ..... B25B 13/02  
81/119  
6,745,649 B1 \* 6/2004 Liao ..... B25B 13/06  
81/121.1  
7,299,721 B1 \* 11/2007 Eggert ..... B25B 13/06  
D8/29  
D569,511 S \* 5/2008 Poll ..... B25B 13/02  
D8/29  
D718,311 S \* 11/2014 Burke ..... B25B 13/02  
81/119  
D779,298 S \* 2/2017 Tempel ..... D8/29  
D902,999 S \* 11/2020 Wolter ..... D19/202  
D907,156 S \* 1/2021 Purnomohadi ..... B25B 13/06  
D22/108

OTHER PUBLICATIONS

Customer Reviews for Husky 2 in. Universal Faucet Nut Wrench.  
(Mar. 5, 2020). Home Depot. Retrieved Nov. 4, 2021, URL:<<https://www.homedepot.com/p/reviews/Husky-2-in-Universal-Faucet-Nut-Wrench-410-073-0111/311493703/2>> (Year: 2020).\*

\* cited by examiner

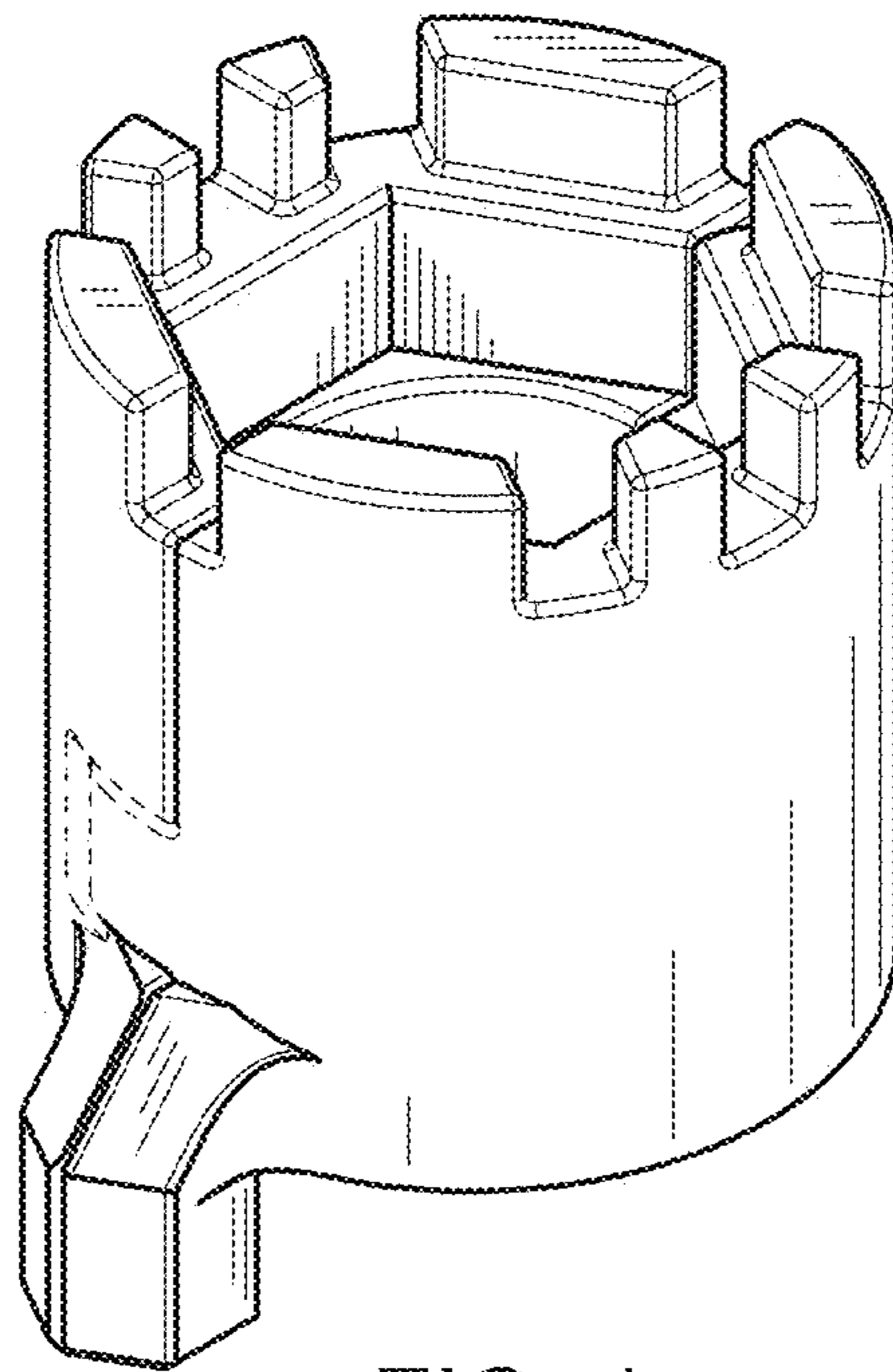


FIG. 1

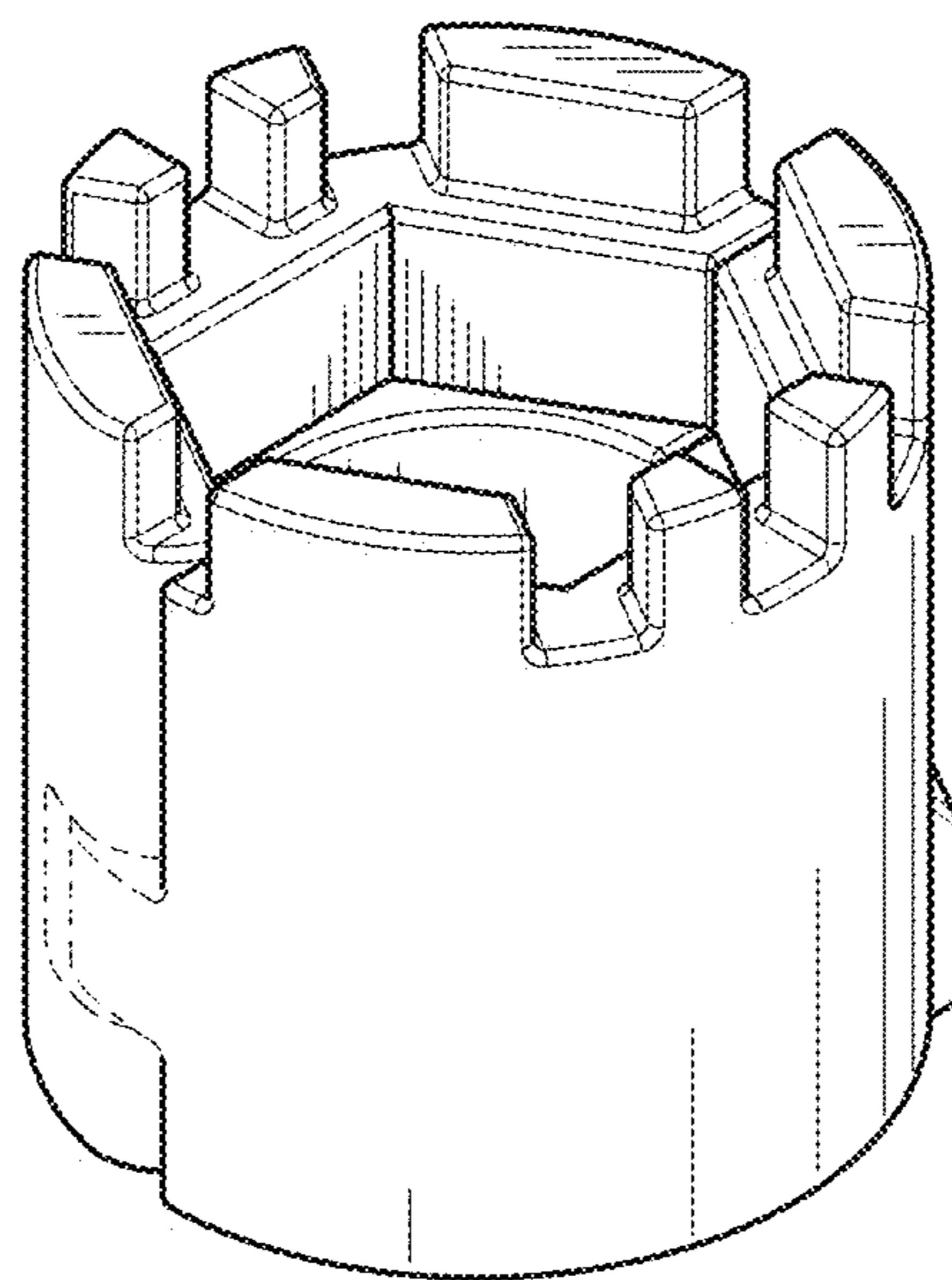


FIG. 2

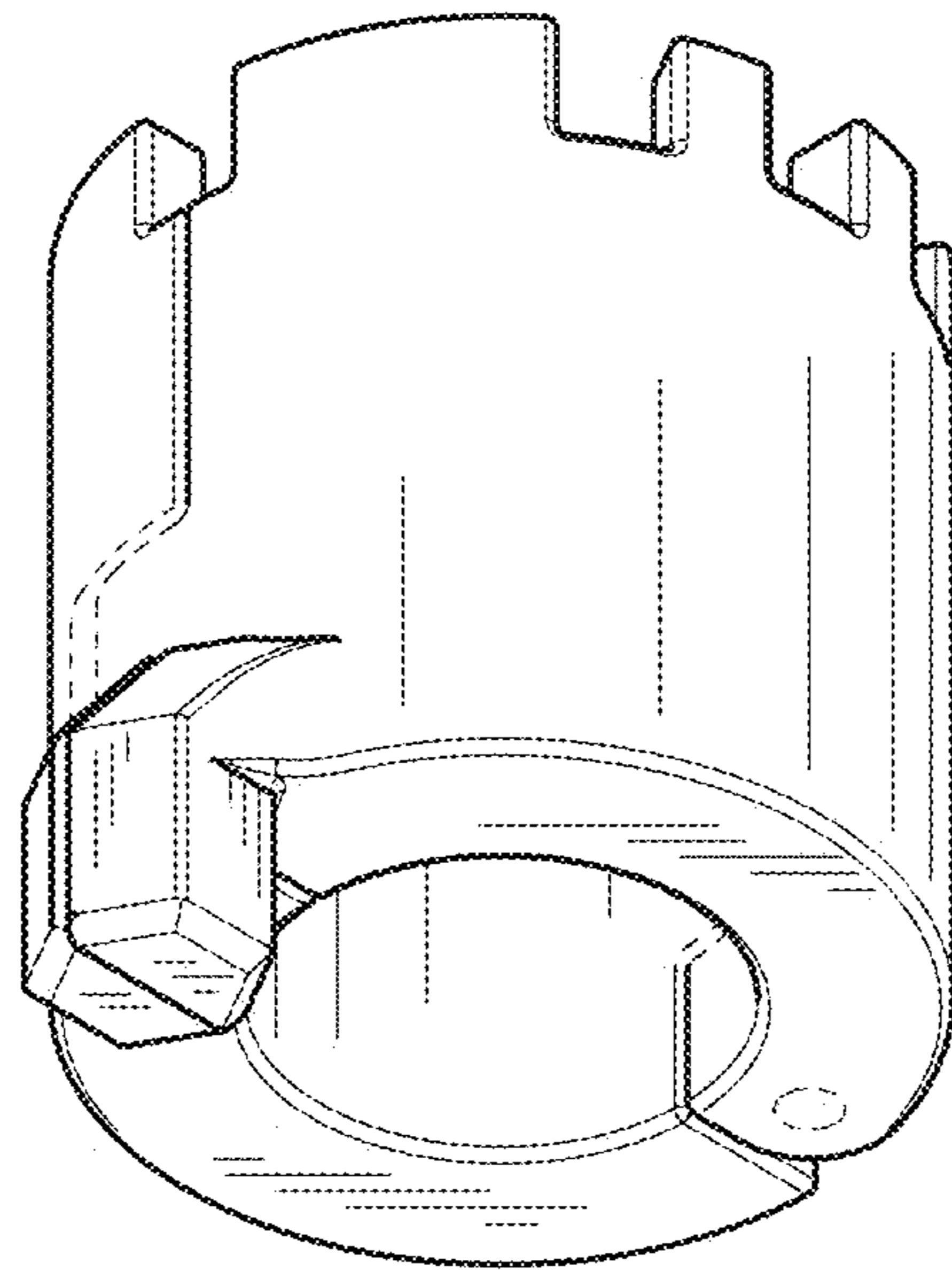


FIG. 3

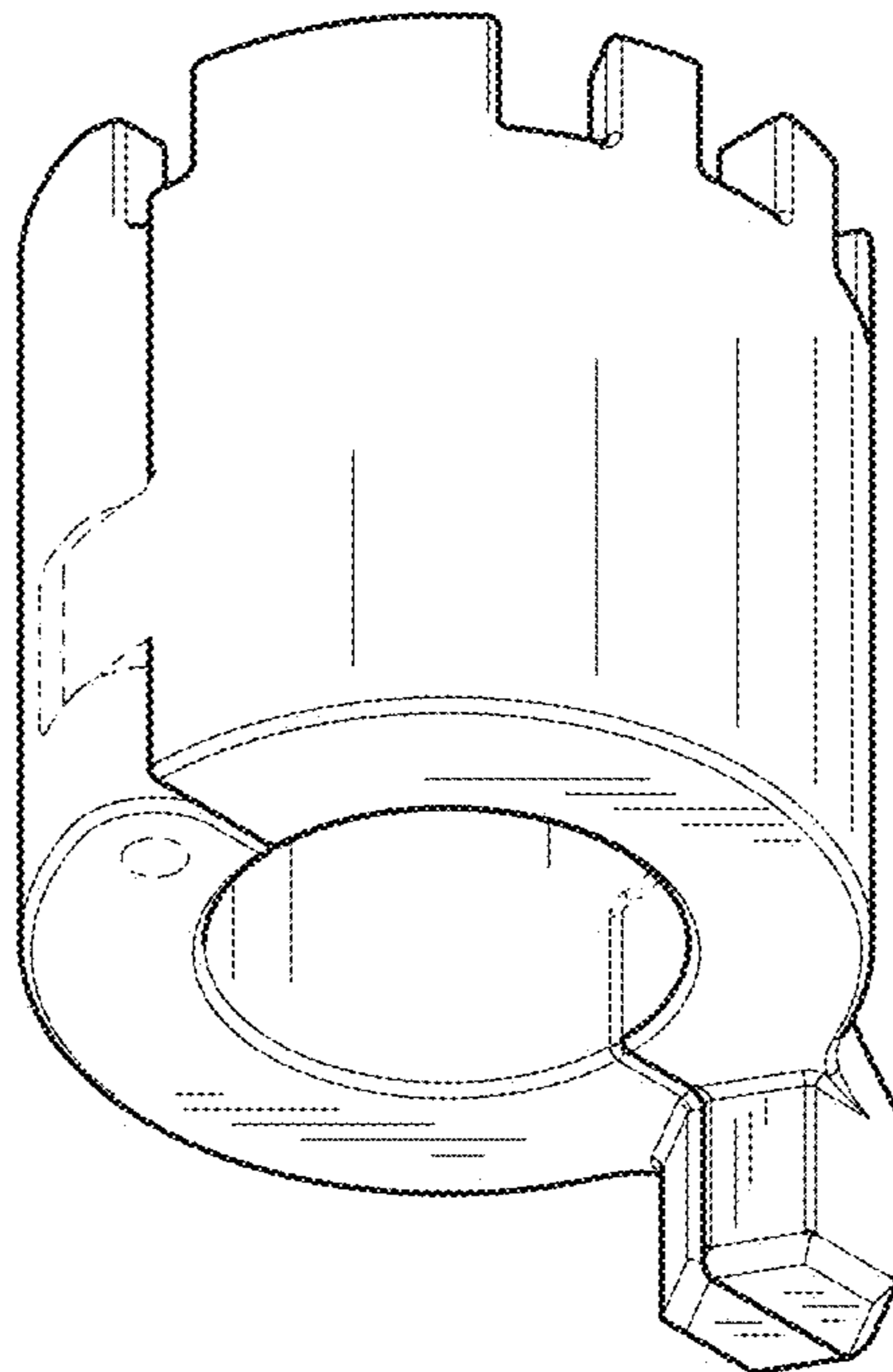


FIG. 4

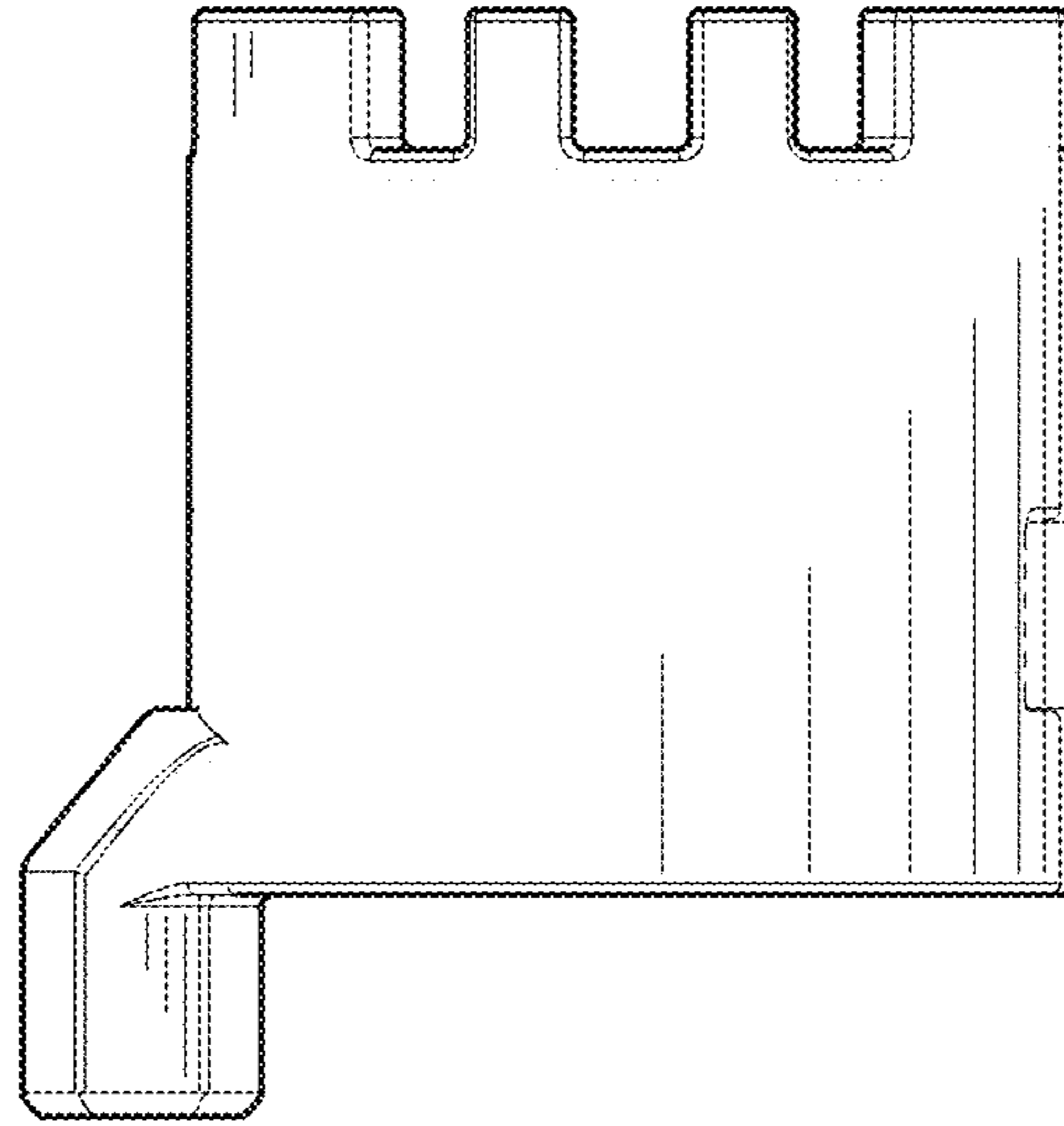


FIG. 5

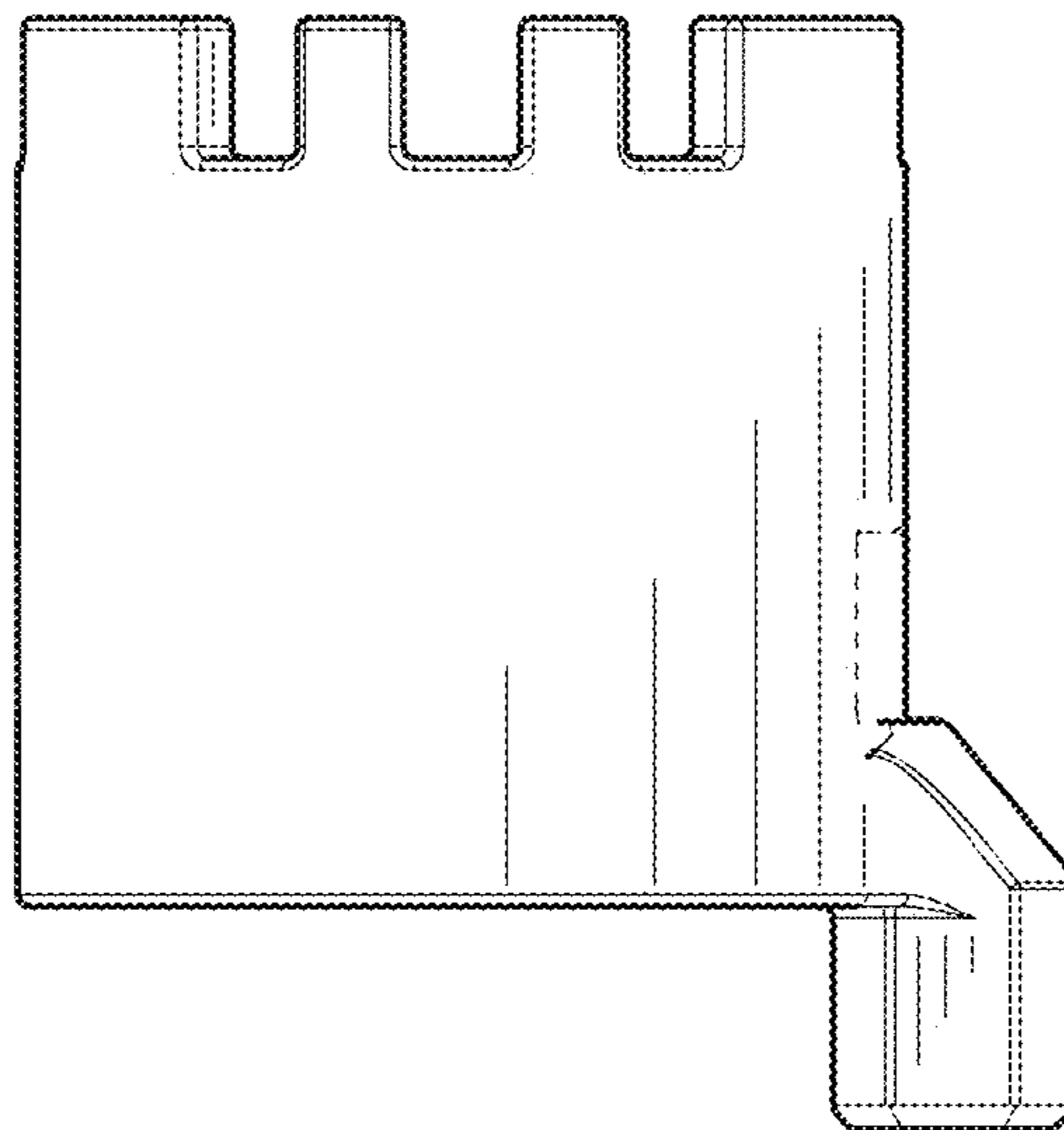


FIG. 6

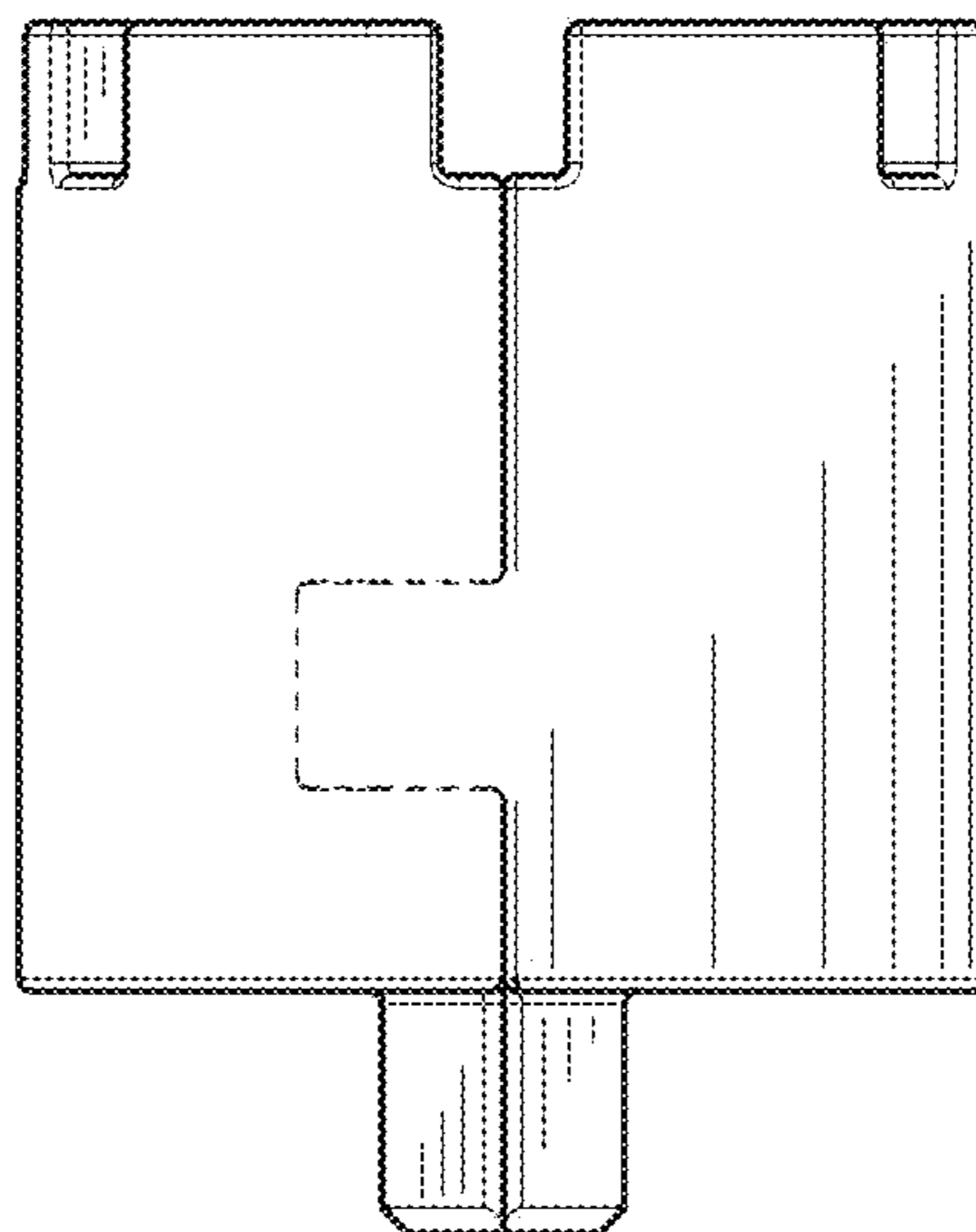


FIG. 7

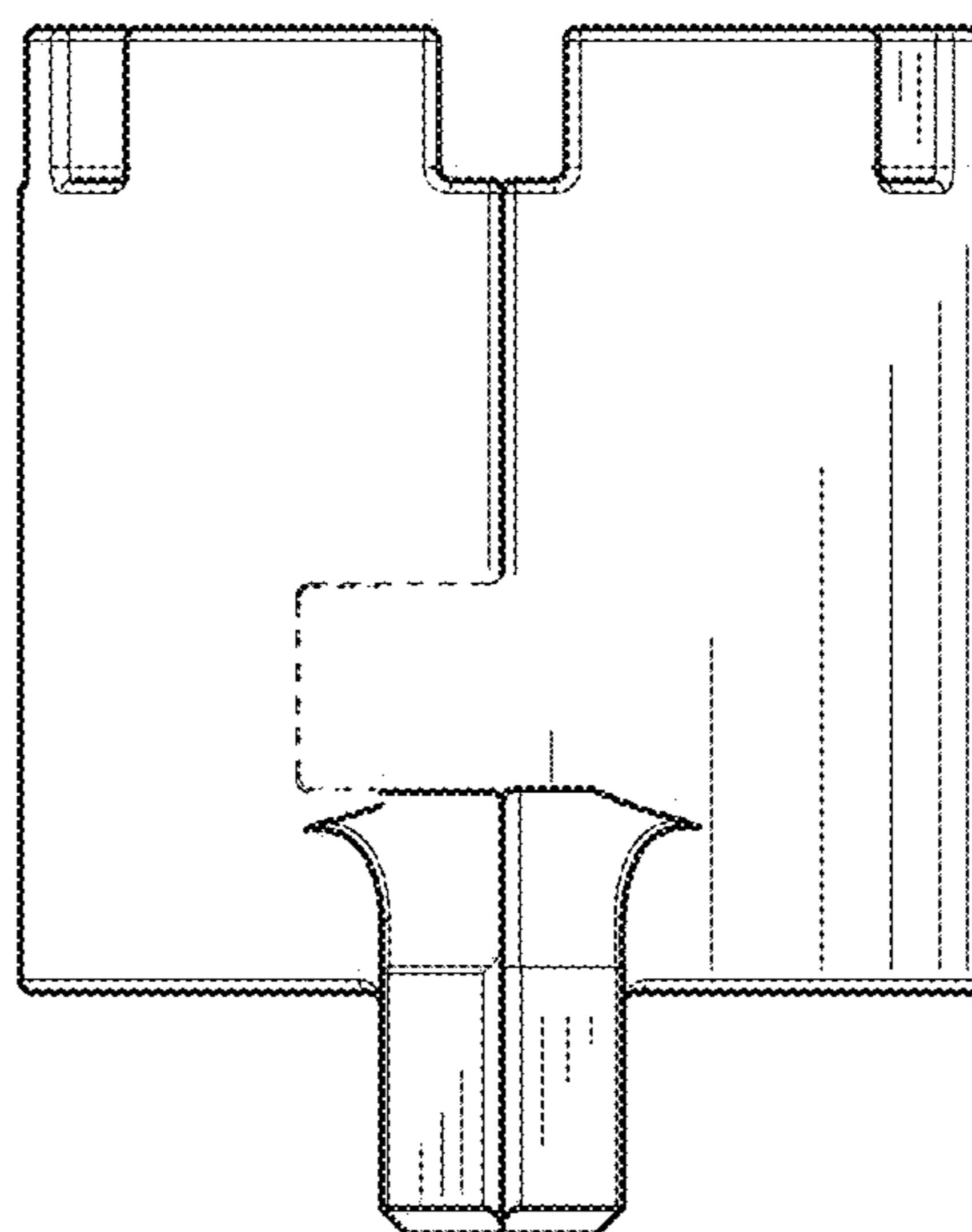


FIG. 8

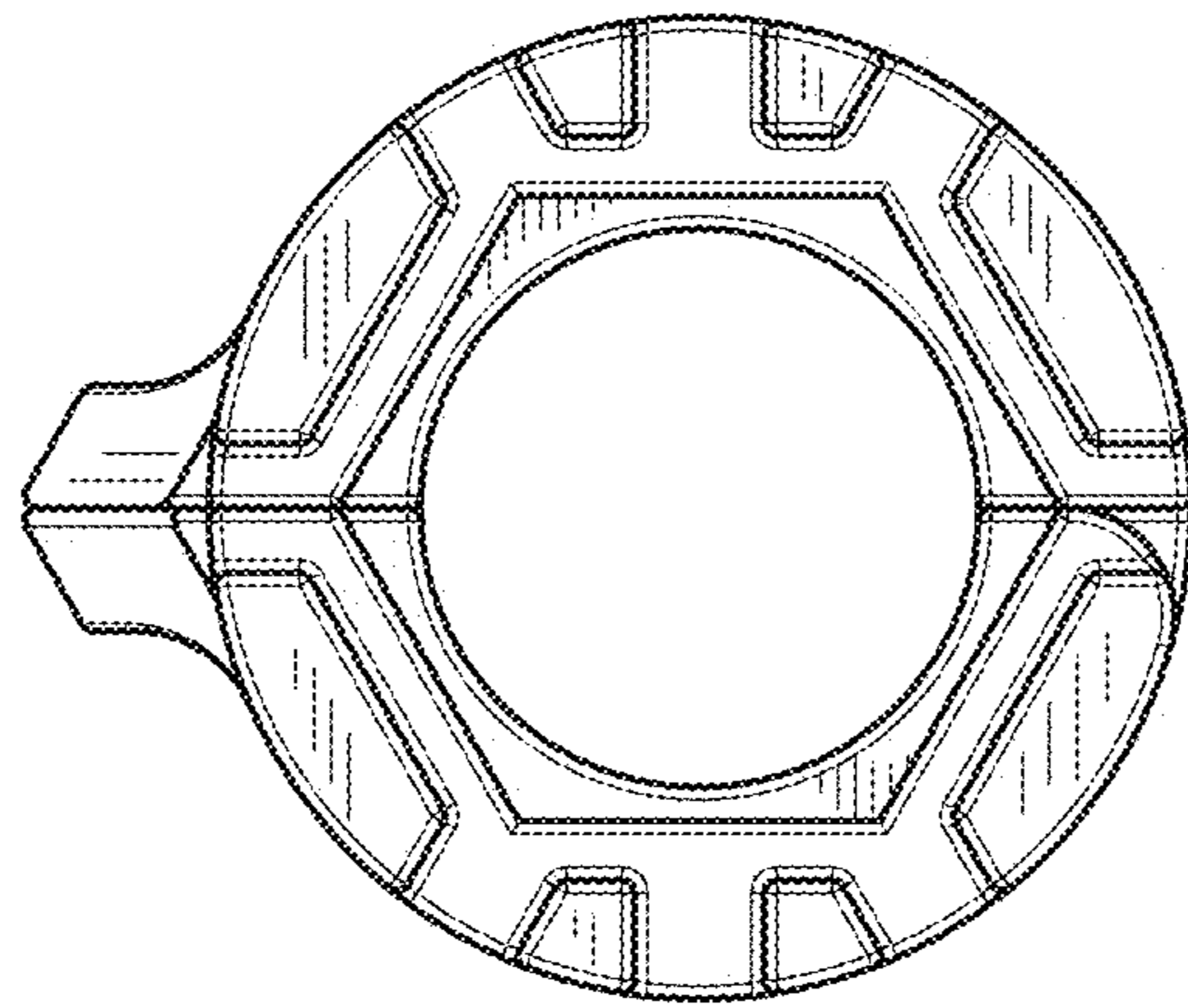


FIG. 9

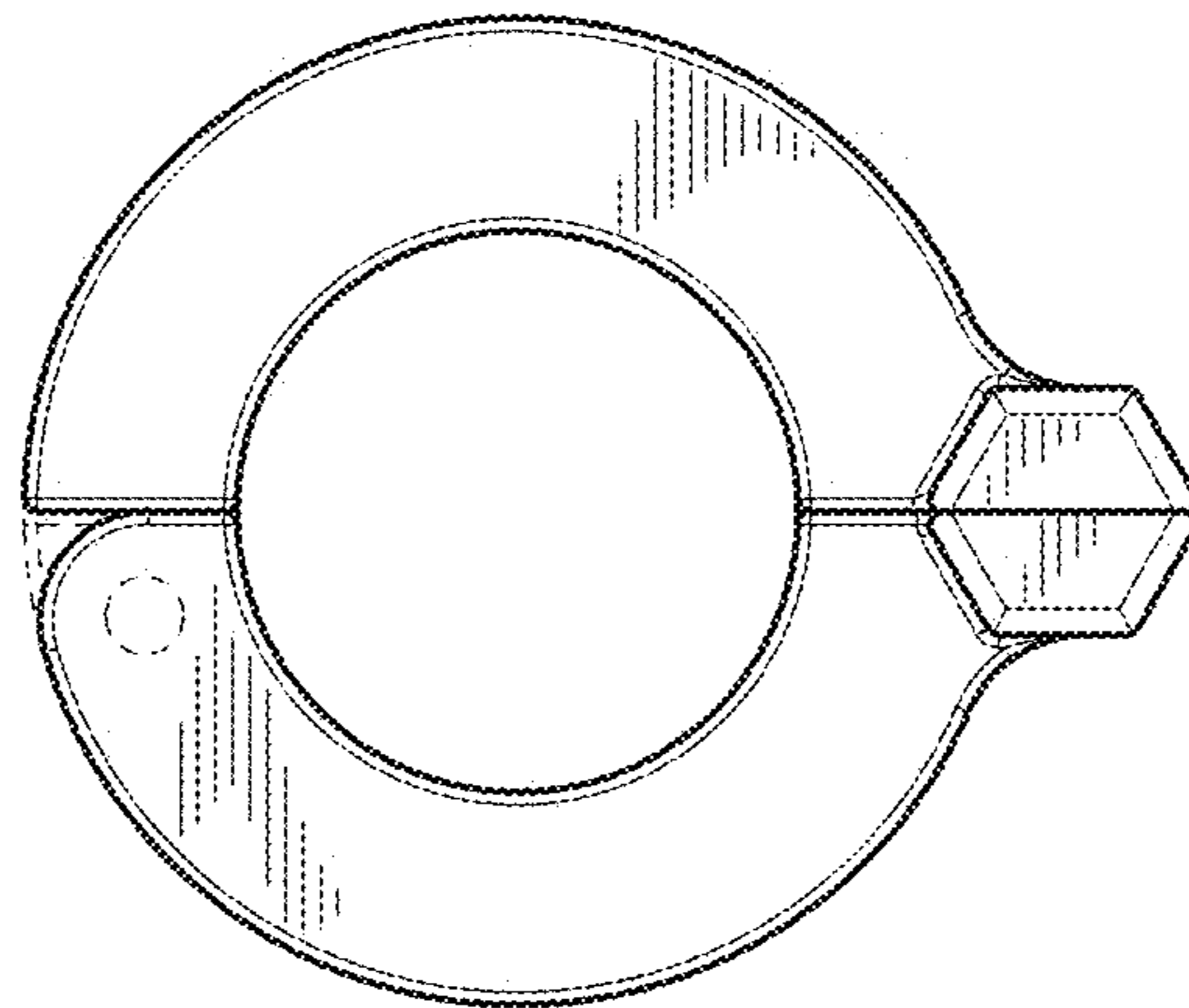


FIG. 10

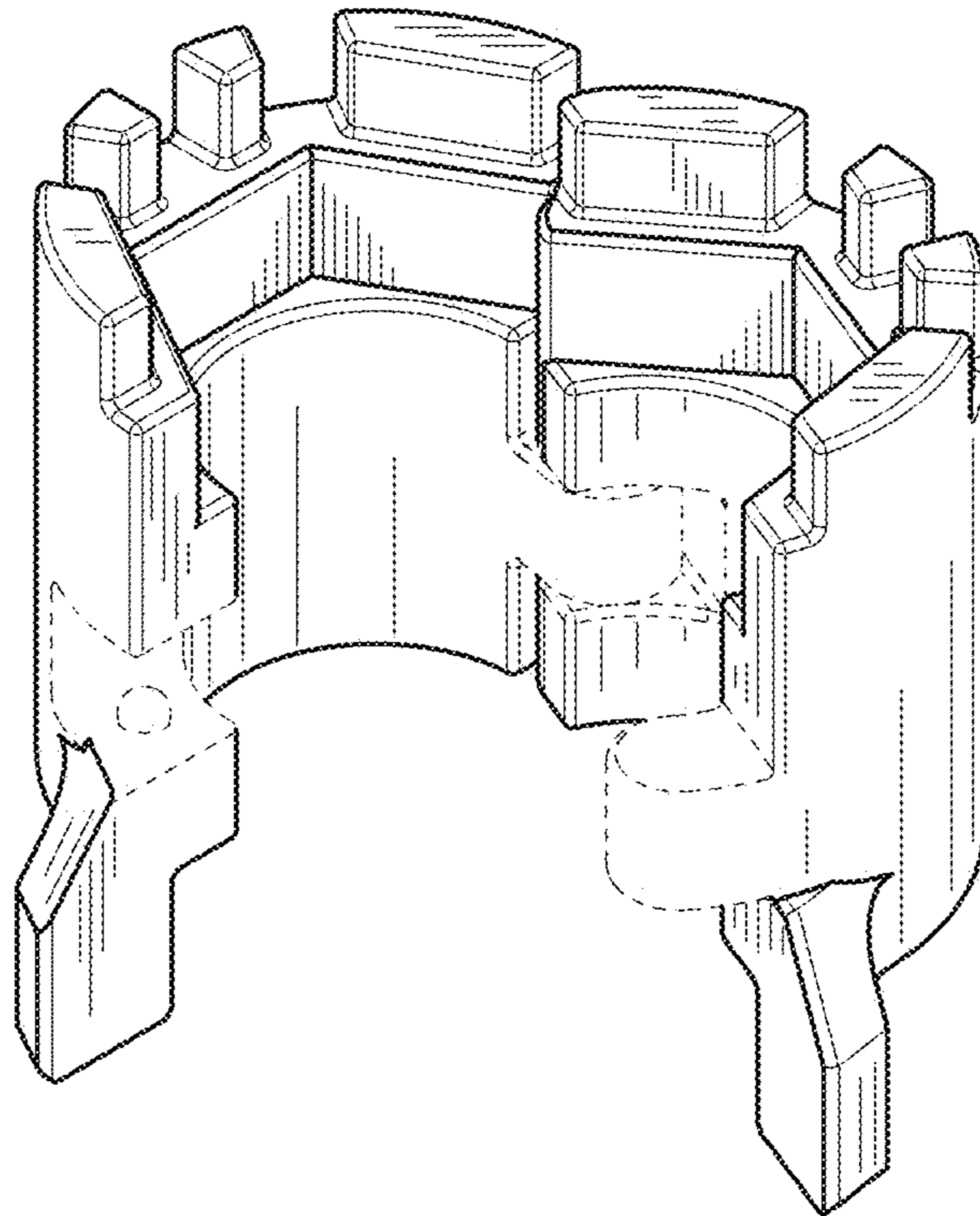


FIG. 11

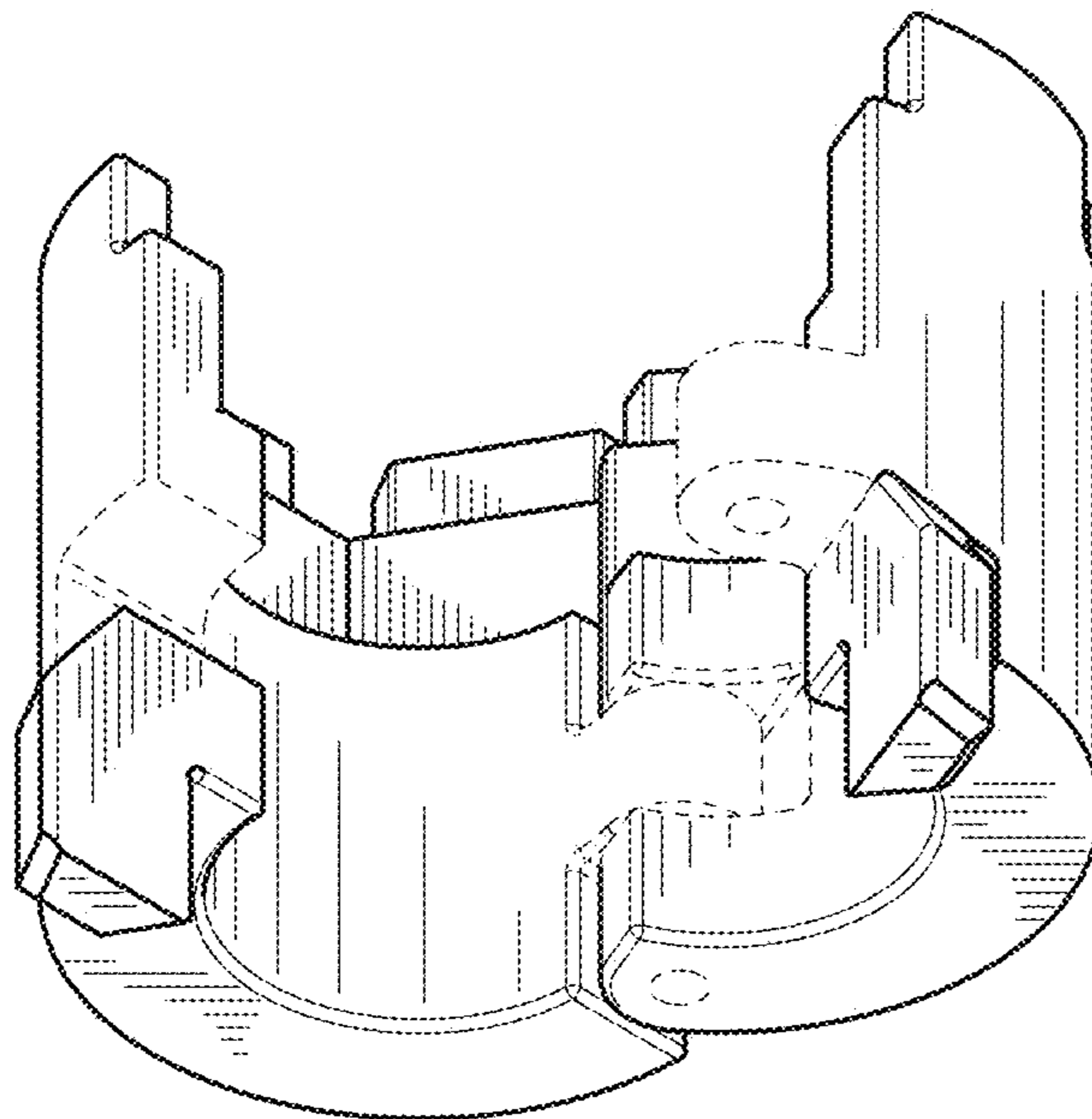


FIG. 12



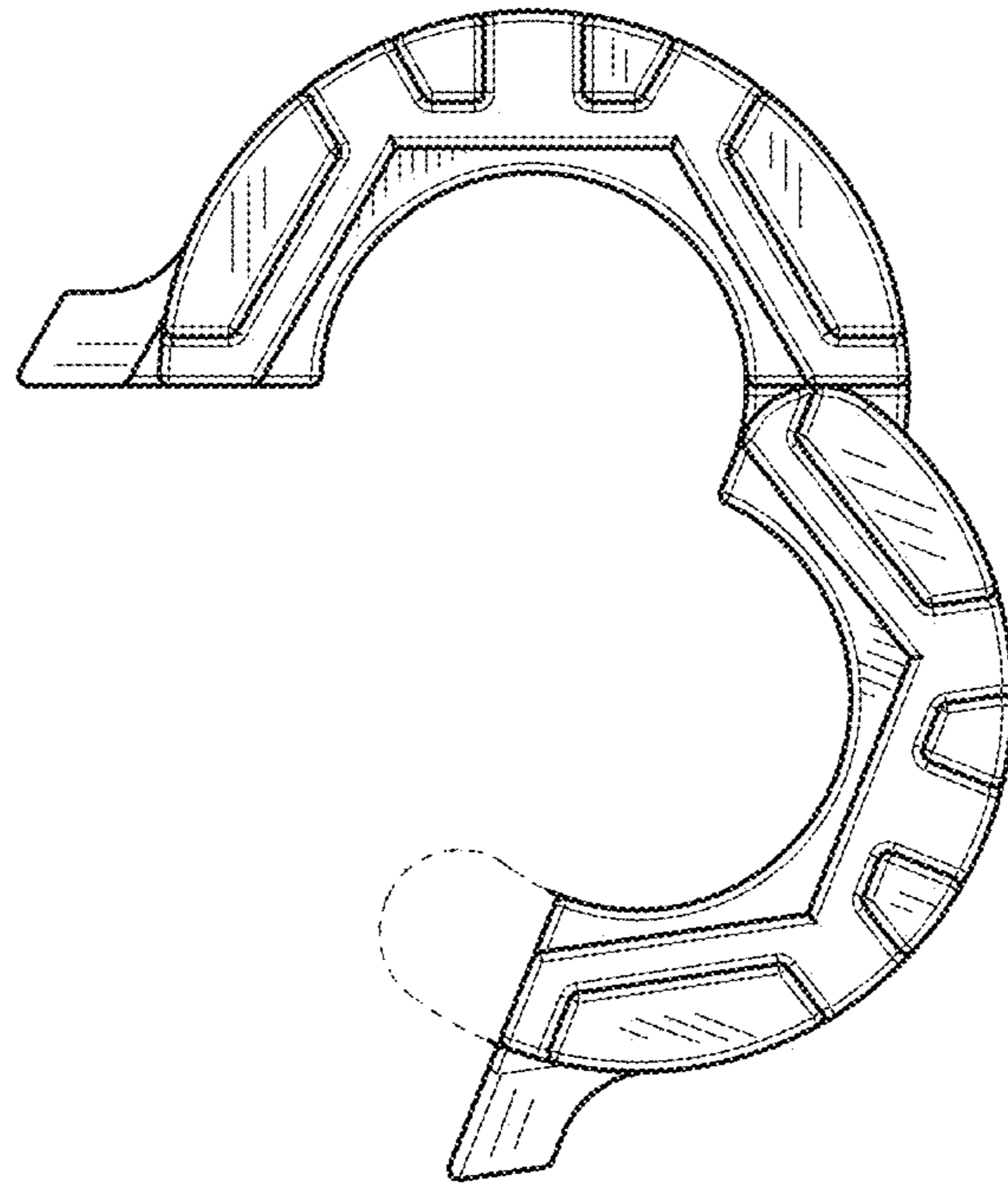


FIG. 13

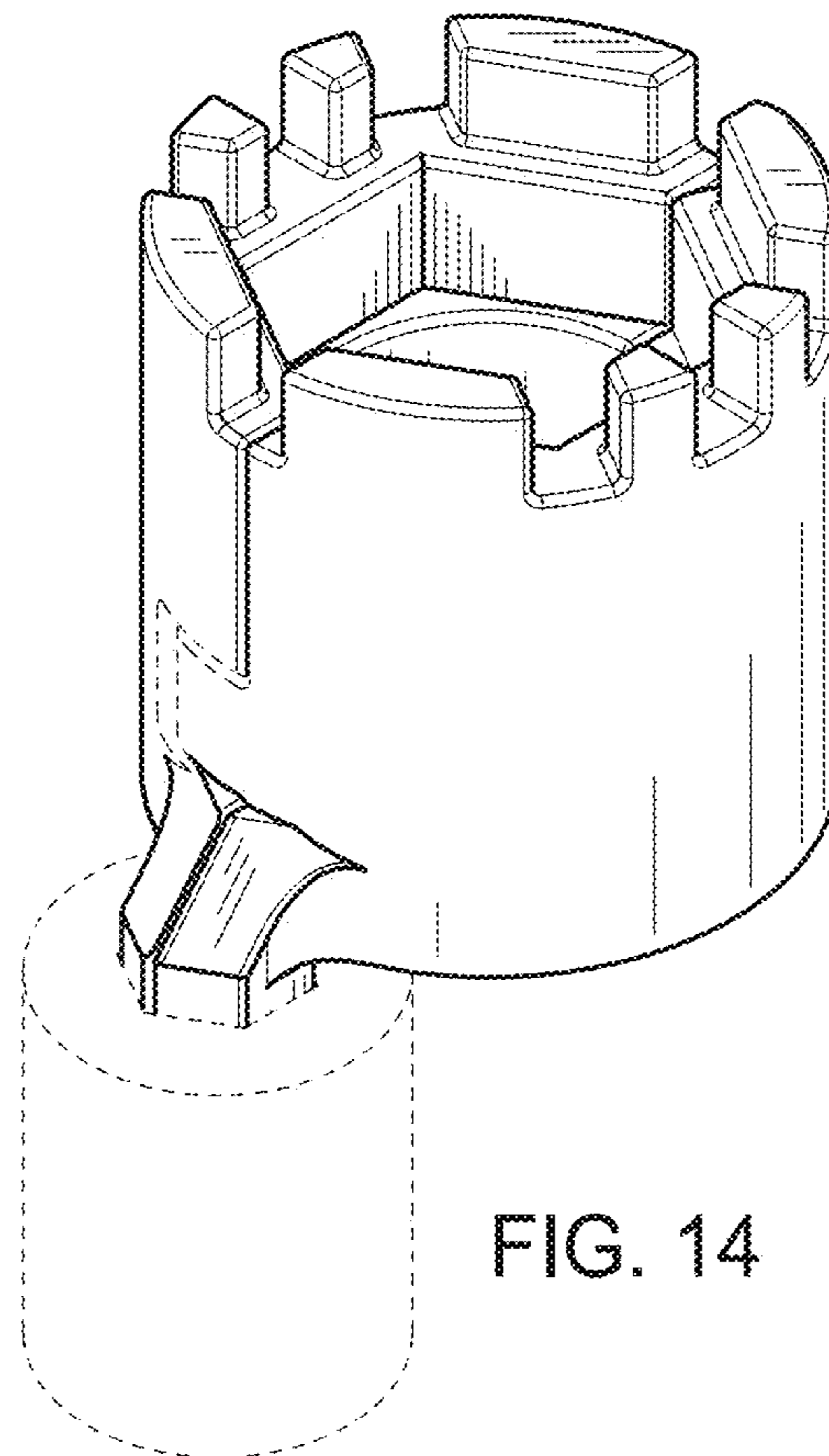


FIG. 14