



US00D972382S

(12) **United States Design Patent**
Li

(10) **Patent No.:** **US D972,382 S**

(45) **Date of Patent:** **** Dec. 13, 2022**

- (54) **DUAL HEAD SOCKET WRENCH**
- (71) Applicant: **Cheng-Yu Li**, Taichung (TW)
- (72) Inventor: **Cheng-Yu Li**, Taichung (TW)
- (**) Term: **15 Years**
- (21) Appl. No.: **29/762,145**
- (22) Filed: **Dec. 15, 2020**
- (51) **LOC (13) Cl.** **08-05**
- (52) **U.S. Cl.**
USPC **D8/25; D8/29; D8/21**
- (58) **Field of Classification Search**
USPC D8/14, 21, 24-27, 29, 51, 59, 107;
D24/133, 147; 81/57.13, 57.39, 60
CPC B25B 21/004; B25B 13/46; B25B 13/463
See application file for complete search history.

- 4,901,608 A * 2/1990 Shieh B25G 1/063
81/177.8
- 6,186,030 B1 * 2/2001 Whitley B25B 13/465
81/58.3
- 6,382,058 B1 * 5/2002 Owoc B25G 1/007
81/177.8
- 6,857,341 B1 * 2/2005 Cheng B25G 1/063
81/177.8
- 6,877,404 B2 * 4/2005 Chen B25G 1/063
81/177.9
- D506,373 S * 6/2005 Hsien D8/27
- D525,493 S * 7/2006 Hsieh D8/27
- 7,131,356 B2 * 11/2006 Lin B25B 13/461
81/177.9

(Continued)

Primary Examiner — Rachel A. Voorhies
Assistant Examiner — Benjamin D. Wannemacher
 (74) *Attorney, Agent, or Firm* — Muncy, Geissler, Olds & Lowe, P.C.

(56) **References Cited**

U.S. PATENT DOCUMENTS

- 334,010 A * 1/1886 Follett B25B 13/463
81/63
- 1,431,389 A * 10/1922 Frisz B25B 23/16
403/93
- 1,811,137 A * 6/1931 Kress B25G 1/085
81/177.9
- 2,028,561 A * 1/1936 Pilger B25G 1/063
81/177.9
- 2,886,998 A * 5/1959 Scott B25B 13/08
403/92
- 3,186,265 A * 6/1965 Wenturine B25B 13/463
81/177.9
- 3,732,756 A * 5/1973 Thomasian B25B 13/463
81/62
- 3,779,107 A * 12/1973 Avery B25G 1/063
81/177.8
- 4,293,044 A * 10/1981 Anderson B25B 19/00
173/93.5
- 4,328,720 A * 5/1982 Shiel B25B 13/56
81/177.85

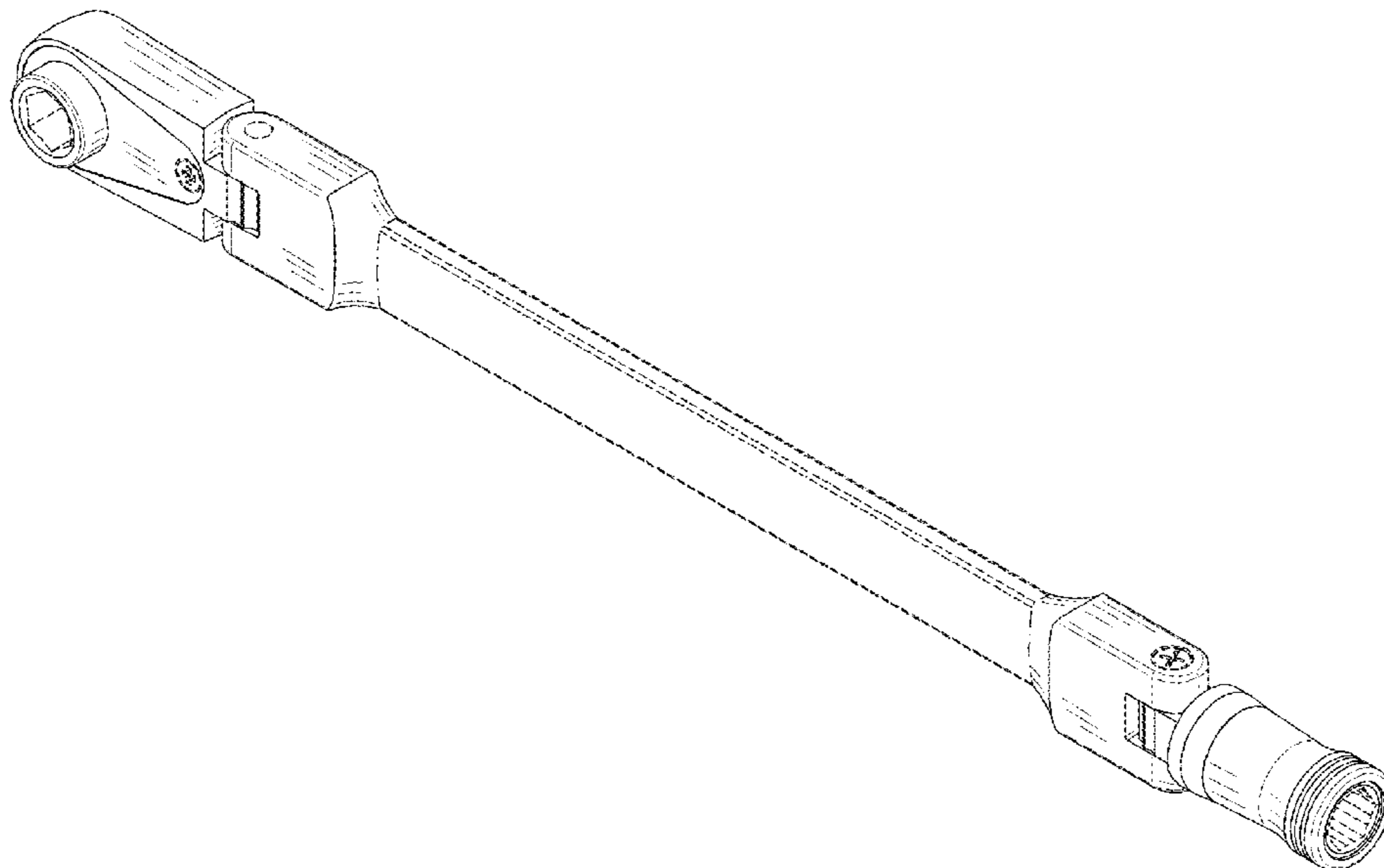
(57) **CLAIM**

I claim the ornamental design for a dual head socket wrench, as shown and described.

DESCRIPTION

FIG. 1 is a top, front, and right perspective view of a dual head socket wrench showing my new design;
 FIG. 2 is a front elevational view thereof;
 FIG. 3 is a rear elevational view thereof;
 FIG. 4 is a left side view thereof;
 FIG. 5 is a right side view thereof;
 FIG. 6 is a top plan view thereof; and,
 FIG. 7 is a bottom plan view thereof.
 The dash-dash lines in the drawings illustrate portions of the dual head socket wrench which form no part of the claimed design.
 The dot-dashed lines in the figures defines the boundary of claimed design and forms no part of the claimed design.

1 Claim, 6 Drawing Sheets



(56)

References Cited

U.S. PATENT DOCUMENTS

7,165,480 B2 * 1/2007 Lin B25G 1/063
81/177.9
7,168,346 B2 * 1/2007 Lin B25G 1/063
81/177.8
D551,525 S * 9/2007 Desbrunes D8/28
D559,054 S * 1/2008 Tuan Mu D8/25
7,318,366 B2 * 1/2008 Lee B25B 13/46
81/177.8
D577,969 S * 10/2008 Yang D8/27
D580,721 S * 11/2008 Chen D8/25
D630,482 S * 1/2011 Su D8/27
D632,533 S * 2/2011 Cappuccio D8/25
D649,848 S * 12/2011 Wegerich D8/25
D654,337 S * 2/2012 Huang D8/25
D658,460 S * 5/2012 Wang D8/25
D660,666 S * 5/2012 Chang D8/28
8,245,604 B2 * 8/2012 Chen B25B 23/0028
81/177.8
8,276,485 B1 * 10/2012 Chen B25B 23/0028
81/177.85
D673,827 S * 1/2013 Cappuccio D8/25

D675,894 S * 2/2013 Chen D8/25
8,413,553 B2 * 4/2013 Chen B25G 1/063
81/177.8
8,459,151 B2 * 6/2013 Wang B25B 13/463
81/124.3
D700,485 S * 3/2014 Liu D8/25
9,132,535 B2 * 9/2015 Hsieh B25G 1/063
9,511,485 B2 * 12/2016 Chang B25B 23/0028
2002/0092387 A1 * 7/2002 Lee B25G 1/063
81/177.8
2002/0108473 A1 * 8/2002 Warner B25B 15/008
81/177.6
2005/0061117 A1 * 3/2005 Chen B25B 13/461
81/177.7
2008/0141833 A1 * 6/2008 Shen B25G 1/063
81/61
2009/0090223 A1 * 4/2009 Wu B25B 23/0035
81/124.6
2011/0226099 A1 * 9/2011 Chen B25B 13/04
81/177.8
2015/0298300 A1 * 10/2015 Liu F16D 41/16
81/63

* cited by examiner

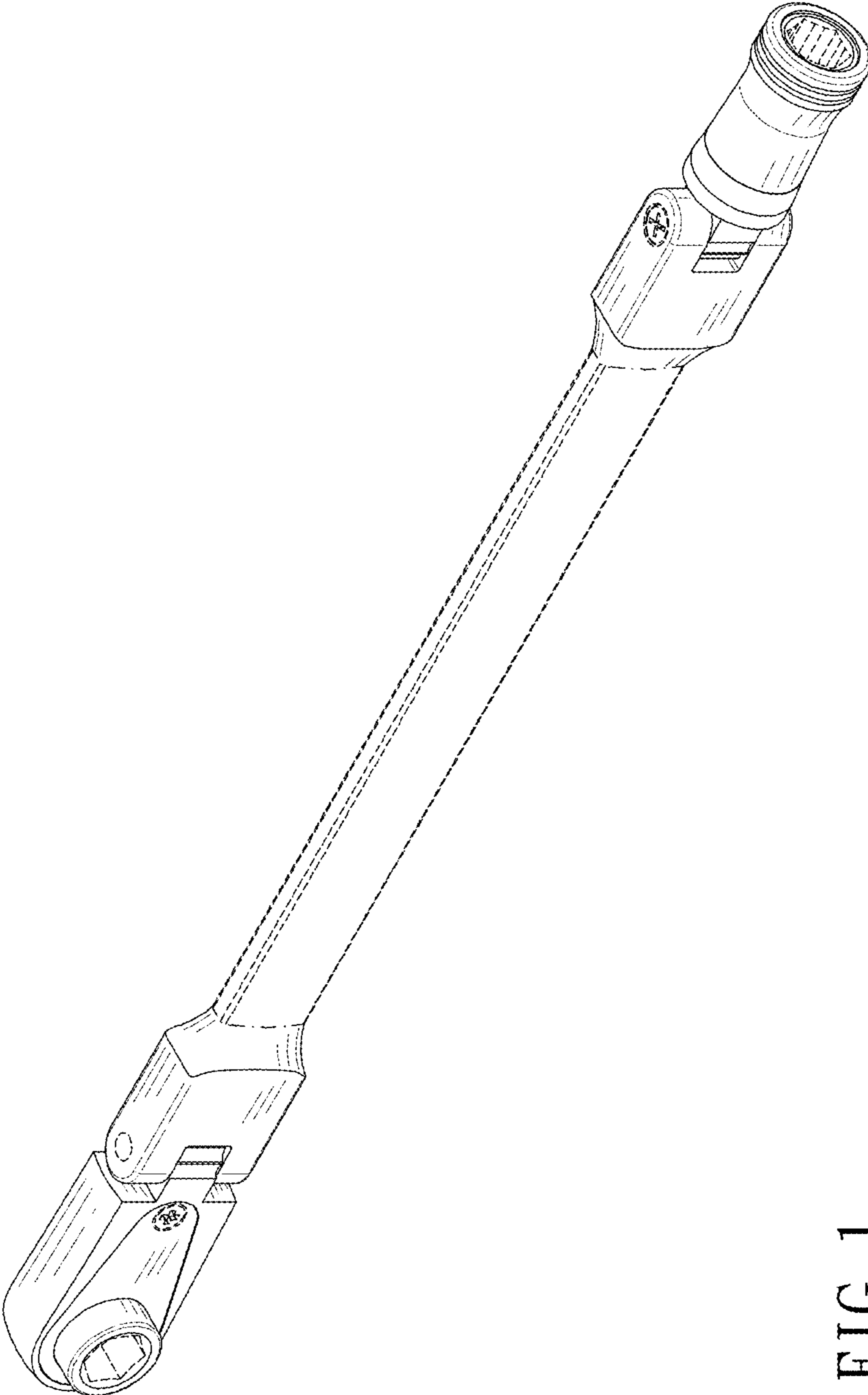


FIG. 1

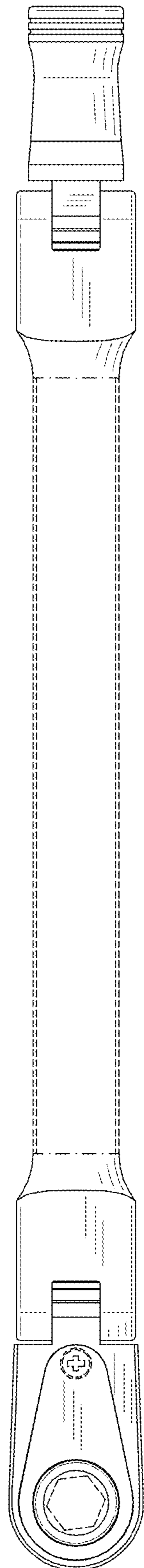


FIG. 2

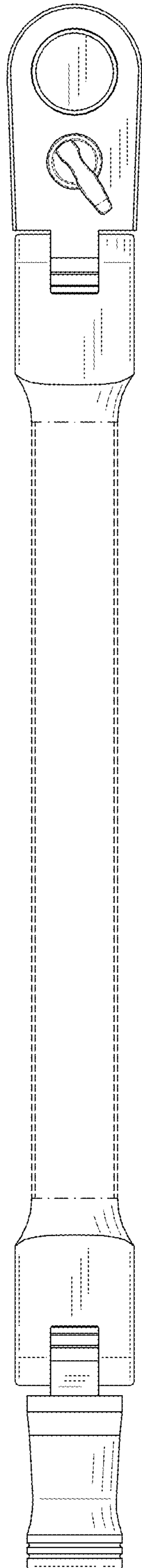


FIG. 3

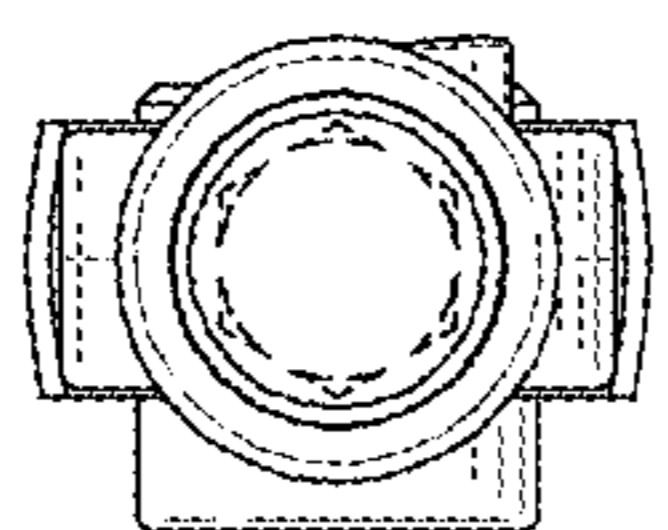


FIG. 5

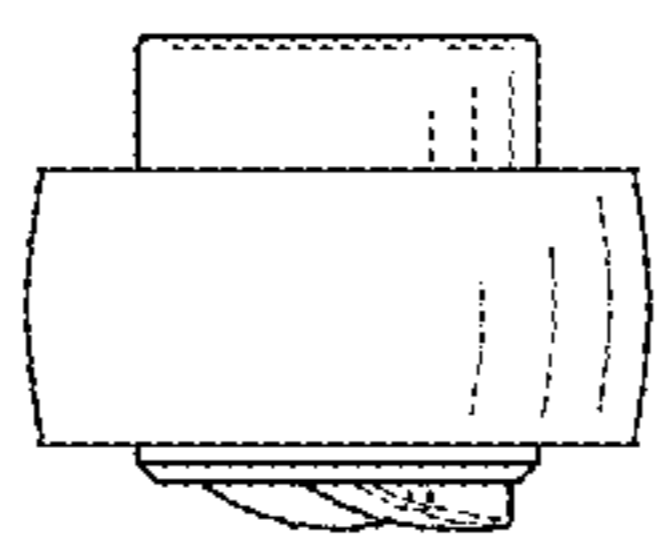


FIG. 4

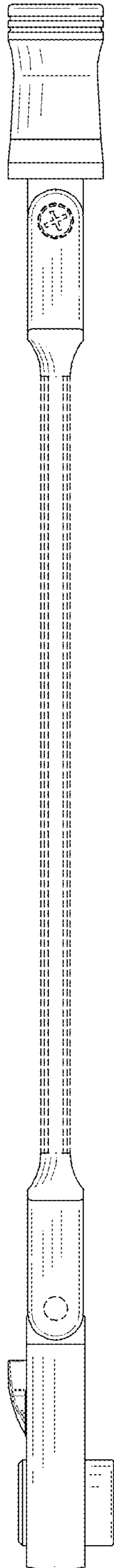


FIG. 6

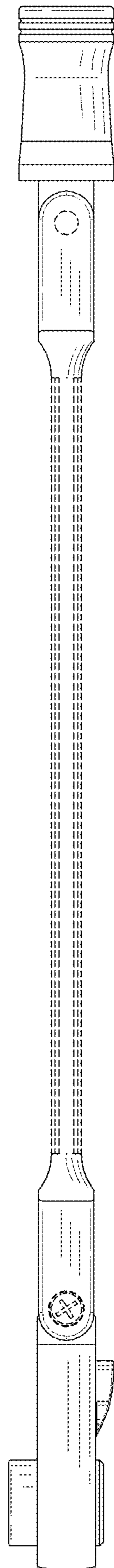


FIG. 7