



US00D972379S

(12) **United States Design Patent**
Tang

(10) **Patent No.:** **US D972,379 S**

(45) **Date of Patent:** **** Dec. 13, 2022**

(54) **MULTI-FUNCTION THREE-FOLD FOLDING SHOVEL**

(71) Applicant: **Baojun Tang**, Jiangsu (CN)

(72) Inventor: **Baojun Tang**, Jiangsu (CN)

(**) Term: **15 Years**

(21) Appl. No.: **29/787,805**

(22) Filed: **Jun. 8, 2021**

(51) **LOC (13) Cl.** **08-01**

(52) **U.S. Cl.**
USPC **D8/10**

(58) **Field of Classification Search**
USPC D8/7, 9, 10, 11; D21/532
CPC A01B 1/02; A01B 1/022; A01B 1/024;
A01B 1/026; A01B 1/028; A01B 1/04;
B25G 1/04; B25G 1/06
See application file for complete search history.

(56) **References Cited**

U.S. PATENT DOCUMENTS

1,051,042	A *	1/1913	Wiener	A01B 1/022
					30/146
1,055,044	A *	3/1913	Hollander	A01B 1/022
					294/51
1,245,812	A *	11/1917	Smock	A01B 1/022
					294/51
1,519,892	A *	12/1924	Webster	B25G 1/06
					D8/10
2,015,517	A *	9/1935	Fransson	A01B 1/227
					294/51
2,833,585	A *	5/1958	Nischan	A01B 1/022
					294/51
3,401,971	A *	9/1968	Cronquist	A01B 1/022
					294/53.5
D267,772	S *	2/1983	Heimdal	D8/9
5,105,493	A *	4/1992	Lugtenaar	A01D 11/00
					7/116
D395,211	S *	6/1998	Linden	D8/10

D426,436	S *	6/2000	Ng	D8/10
D459,957	S *	7/2002	Lin	D8/10
D464,247	S *	10/2002	Lin	D8/107
6,560,805	B2 *	5/2003	Dallas	B25F 1/04
					7/158
D551,524	S *	9/2007	Norton	D8/10
9,439,337	B1 *	9/2016	Padden	A01B 1/022

(Continued)

FOREIGN PATENT DOCUMENTS

CN	3207807	*	11/2001
CN	3211973	*	12/2001

(Continued)

Primary Examiner — Sheryl Lane

Assistant Examiner — Ieisha N Price

(74) *Attorney, Agent, or Firm* — Vladimir Postnikov

(57) **CLAIM**

The ornamental design for a multi-function three-fold folding shovel, as shown and described.

DESCRIPTION

FIG. 1 is a front view of a multi-function three-fold folding shovel;

FIG. 2 is a back view of the multi-function three-fold folding shovel;

FIG. 3 is a left side view of the multi-function three-fold folding shovel;

FIG. 4 is a right side view of the multi-function three-fold folding shovel;

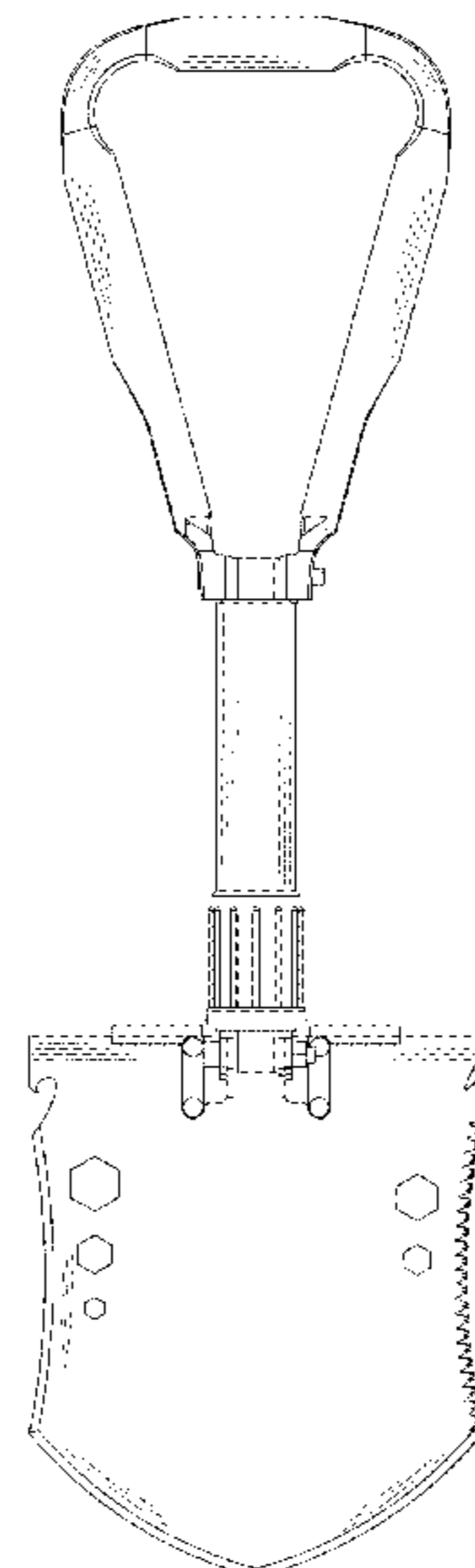
FIG. 5 is a top view of the multi-function three-fold folding shovel;

FIG. 6 is a bottom view of the multi-function three-fold folding shovel;

FIG. 7 is a perspective view of the multi-function three-fold folding shovel; and,

FIG. 8 is a perspective view of the multi-function three-fold folding shovel shown in its folded configuration.

1 Claim, 8 Drawing Sheets



(56)

References Cited

U.S. PATENT DOCUMENTS

D792,748 S * 7/2017 Yeoh D8/10
D895,383 S * 9/2020 Thorn D8/107
D896,044 S * 9/2020 Li D8/10
D947,627 S * 4/2022 Wang D8/10
2020/0390017 A1* 12/2020 Liang A01B 1/22

FOREIGN PATENT DOCUMENTS

CN 301726149 * 11/2011
CN 302173147 * 11/2012
CN 302972021 * 10/2014
CN 306457596 * 4/2021
GB 6115403 * 1/2021

* cited by examiner

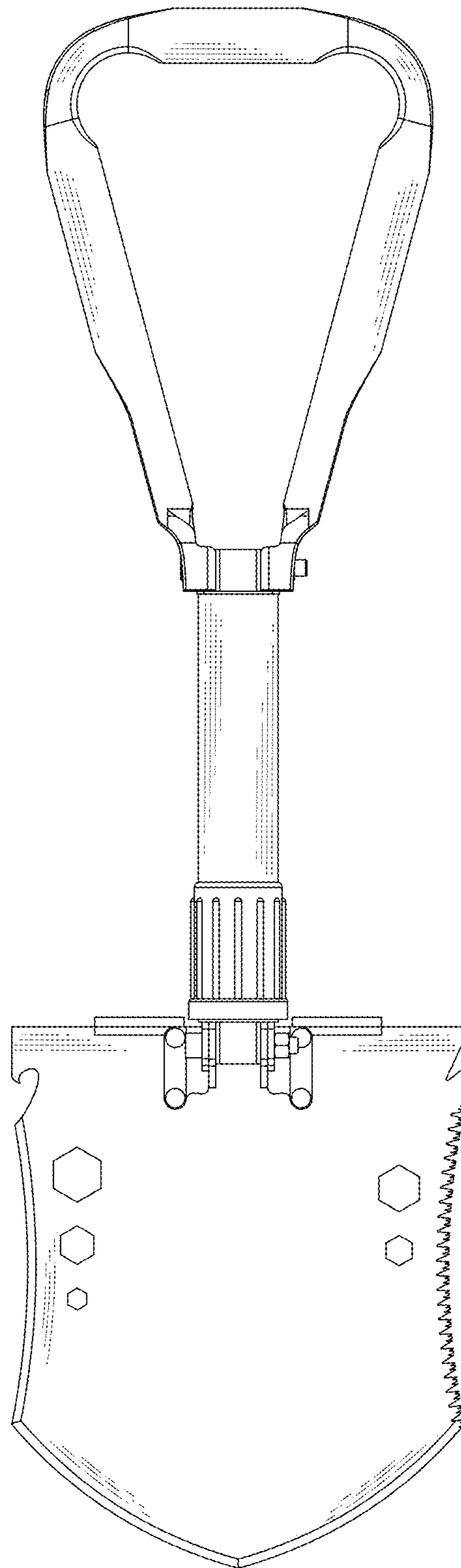


FIG 1

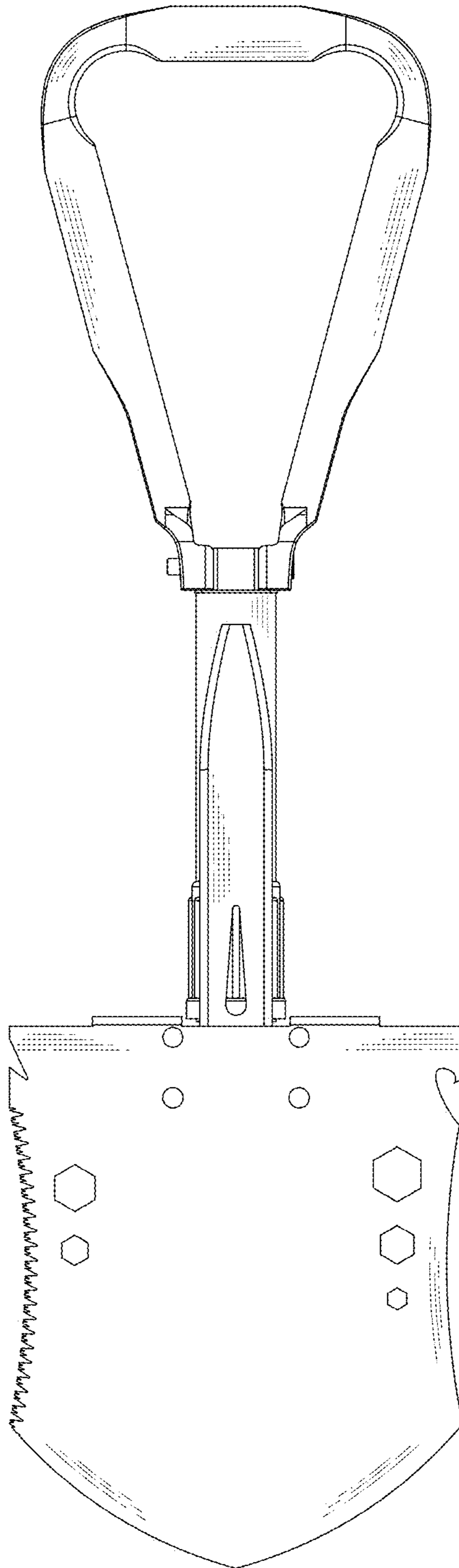


FIG 2

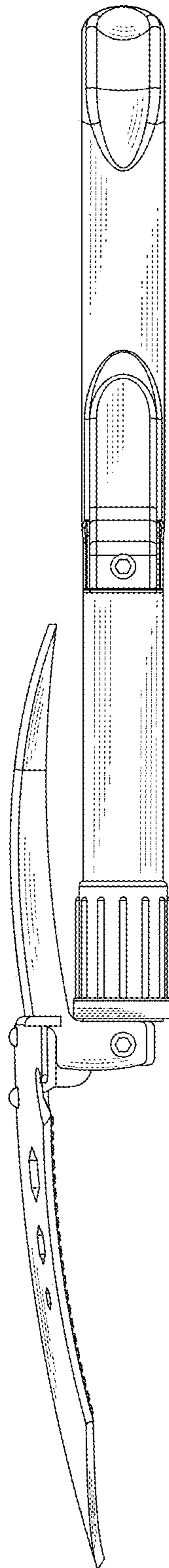


FIG 3

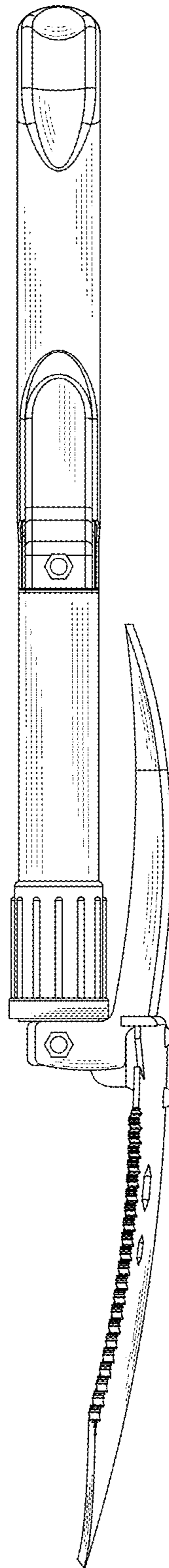


FIG 4

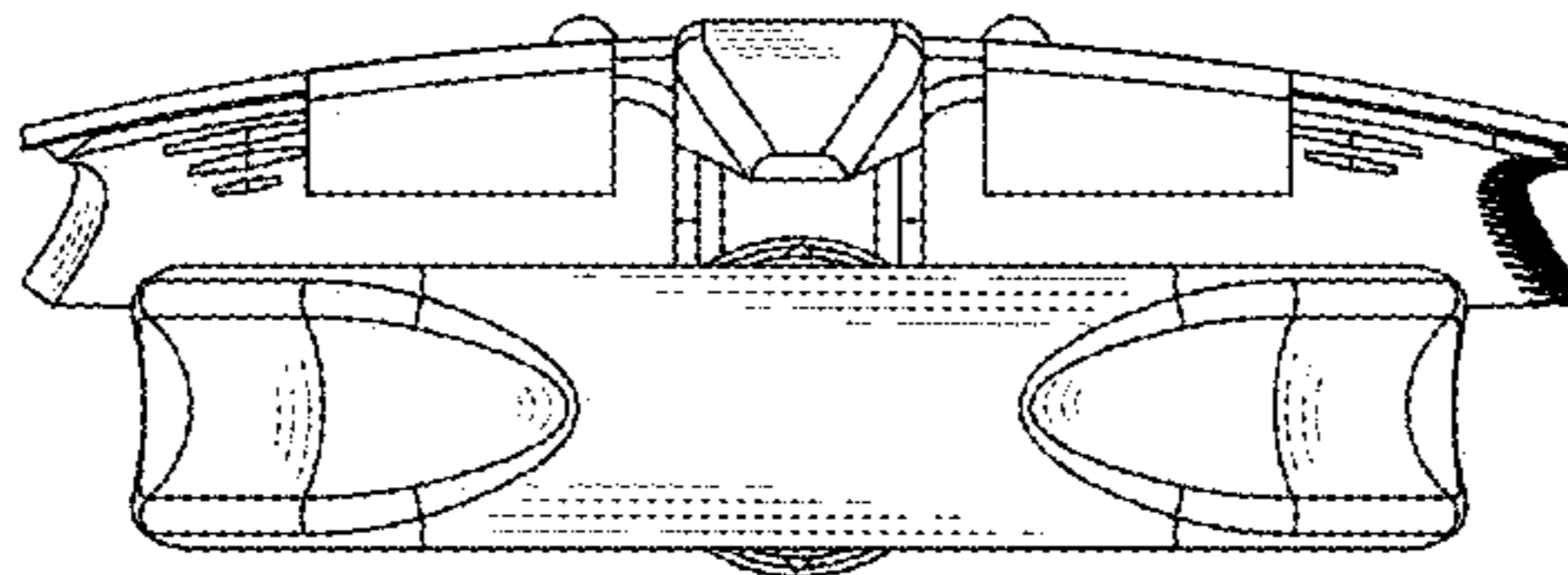


FIG 5

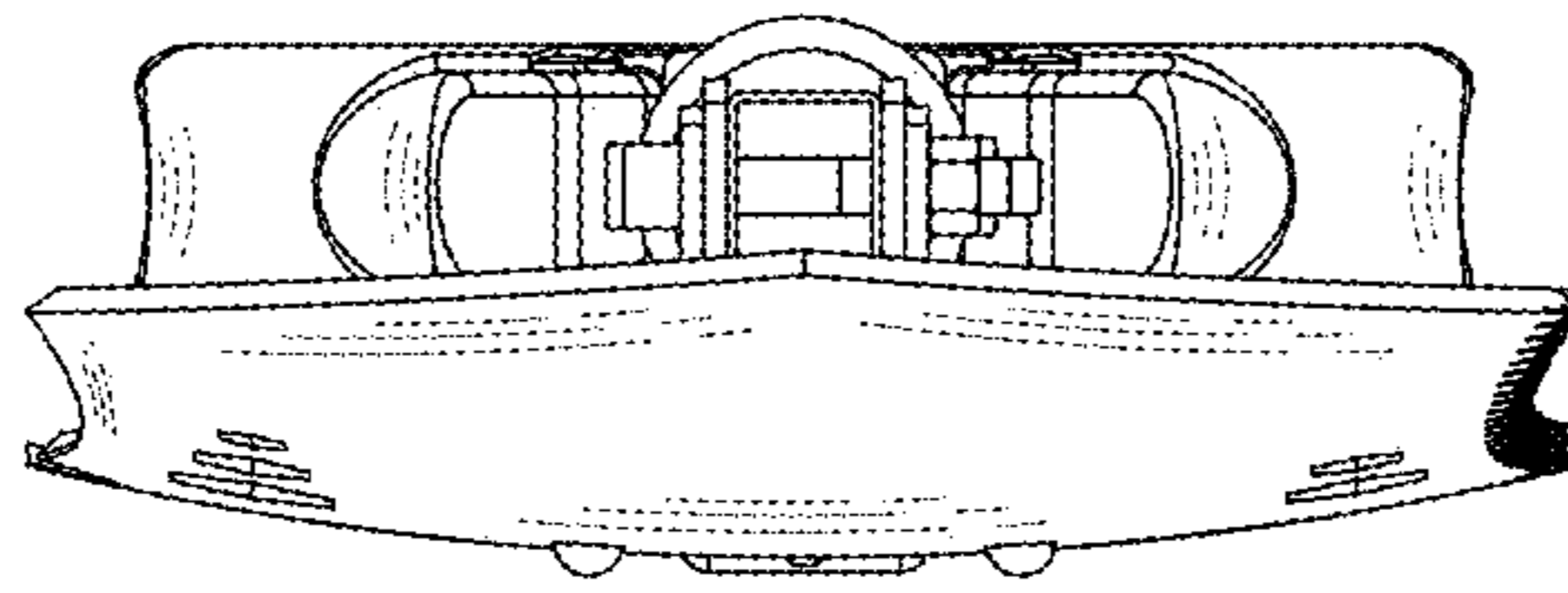


FIG 6

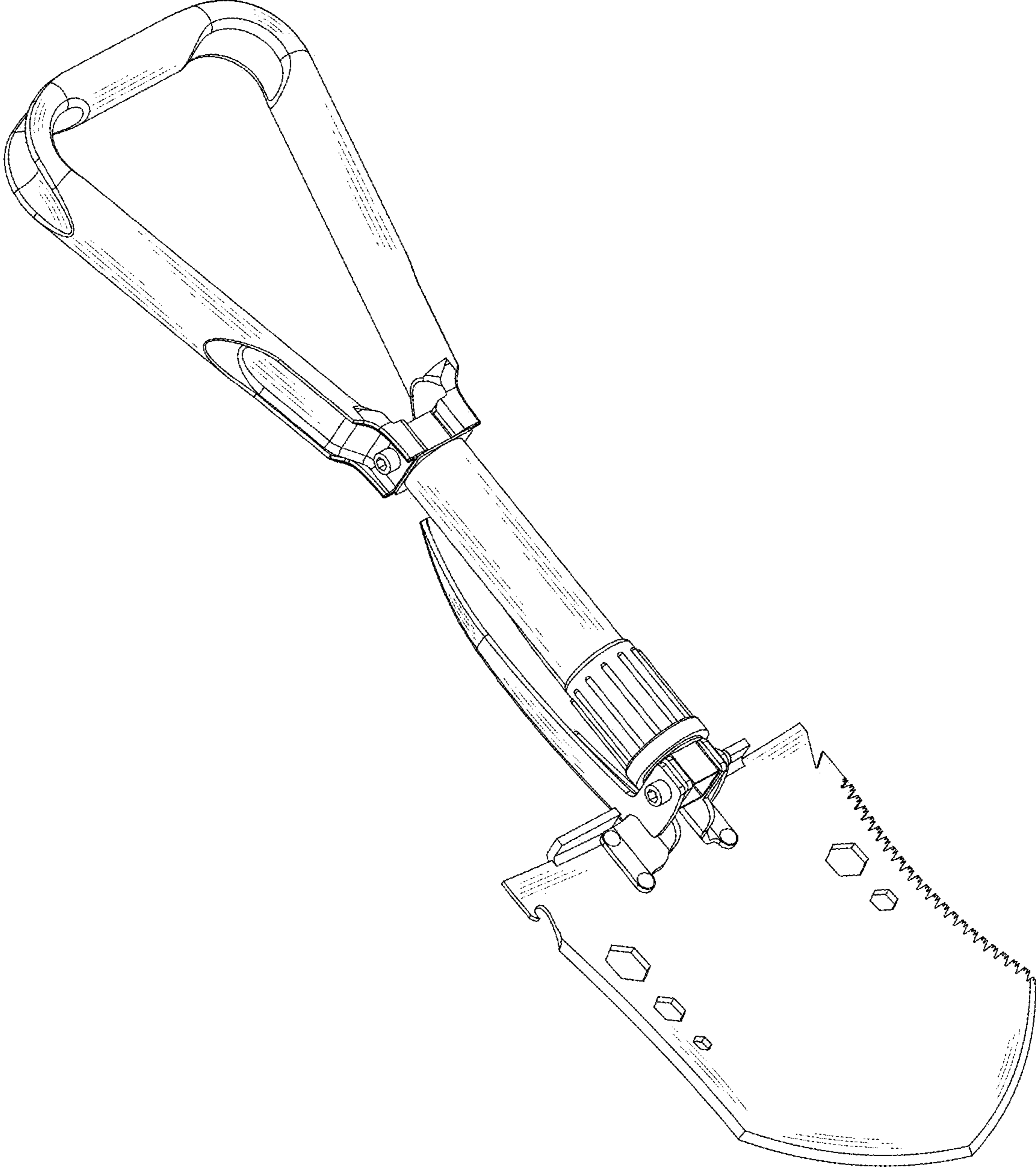


FIG 7

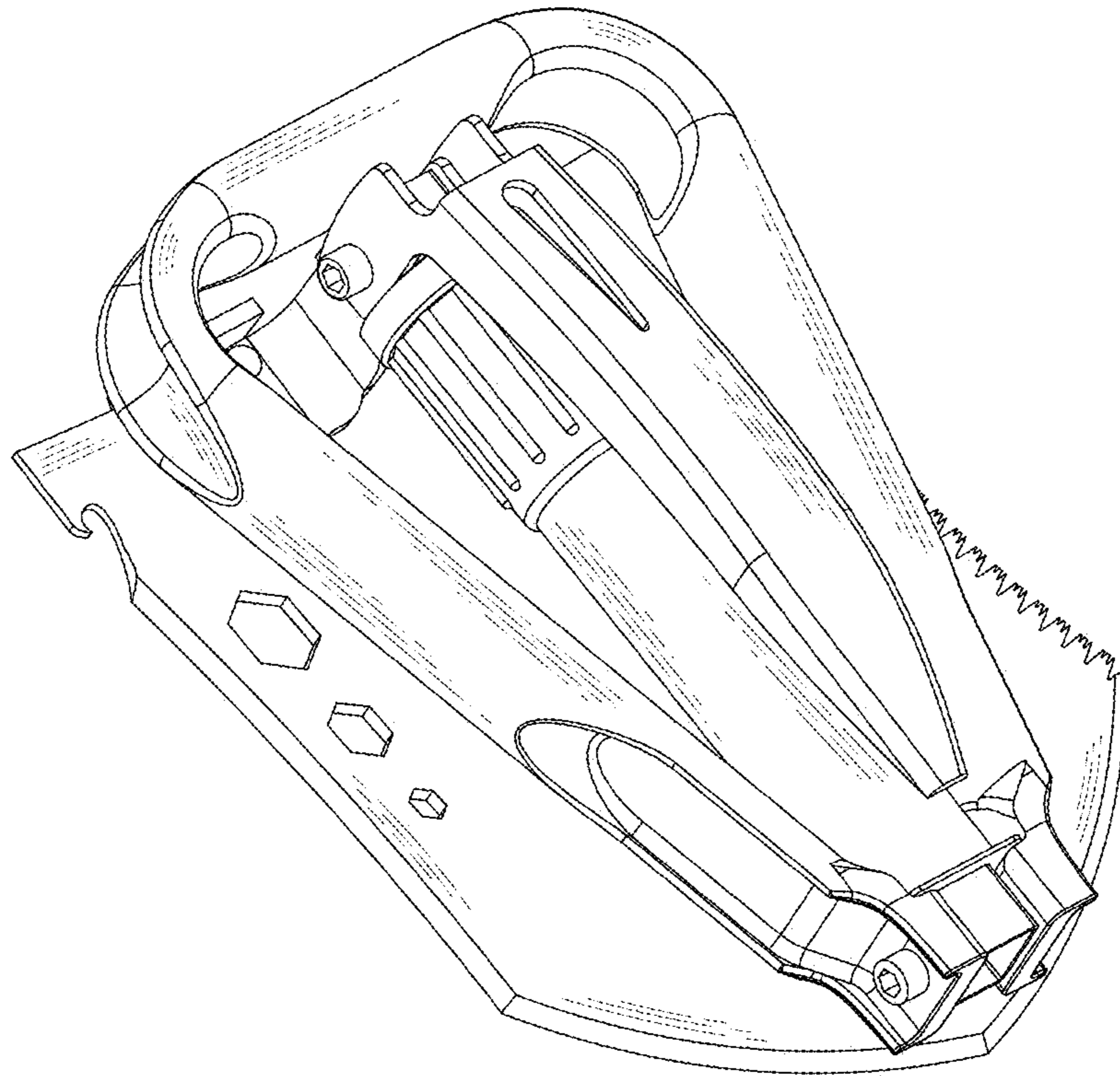


FIG 8