



US00D972377S

(12) **United States Design Patent** (10) **Patent No.:** **US D972,377 S**  
**Wu** (45) **Date of Patent:** **\*\* Dec. 13, 2022**

(54) **JUICER**  
(71) Applicant: **OTE Household Appliances (Shenzhen) Co. Ltd.**, Shenzhen (CN)  
(72) Inventor: **Xuehu Wu**, Urumqi (CN)  
(\*\*) Term: **15 Years**  
(21) Appl. No.: **29/770,300**  
(22) Filed: **Feb. 11, 2021**  
(51) **LOC (13) Cl.** ..... **31-00**  
(52) **U.S. Cl.**  
USPC ..... **D7/665**  
(58) **Field of Classification Search**  
USPC ..... D7/665, 378, 370, 384, 386, 412  
CPC ..... A47J 19/00; A47J 19/02; A47J 19/027;  
A47J 19/06; A23N 1/00; A23N 1/003;  
A23N 1/02; A23N 1/006  
See application file for complete search history.

D733,504 S \* 7/2015 Choi ..... D7/665  
D859,938 S \* 9/2019 Yu ..... D7/378  
D916,549 S \* 4/2021 Li ..... D7/378  
D930,425 S \* 9/2021 Bourgeois ..... D7/378  
2017/0196393 A1\* 7/2017 Liu ..... A47J 19/023

**OTHER PUBLICATIONS**

Amazon.com, Hurom HP Slow Juicer, ASIN: B06XB58WV8, 10 pages, date first available Feb. 25, 2017 (Year: 2017).\*  
Amazon.com, Frigidaire ESMM100 Retro Smoothie Maker Blender, ASIN: B07TXRDXR2, 13 pages, date first available Jul. 3, 2019 (Year: 2019).\*

\* cited by examiner

*Primary Examiner* — Terry A Wallace

(57) **CLAIM**

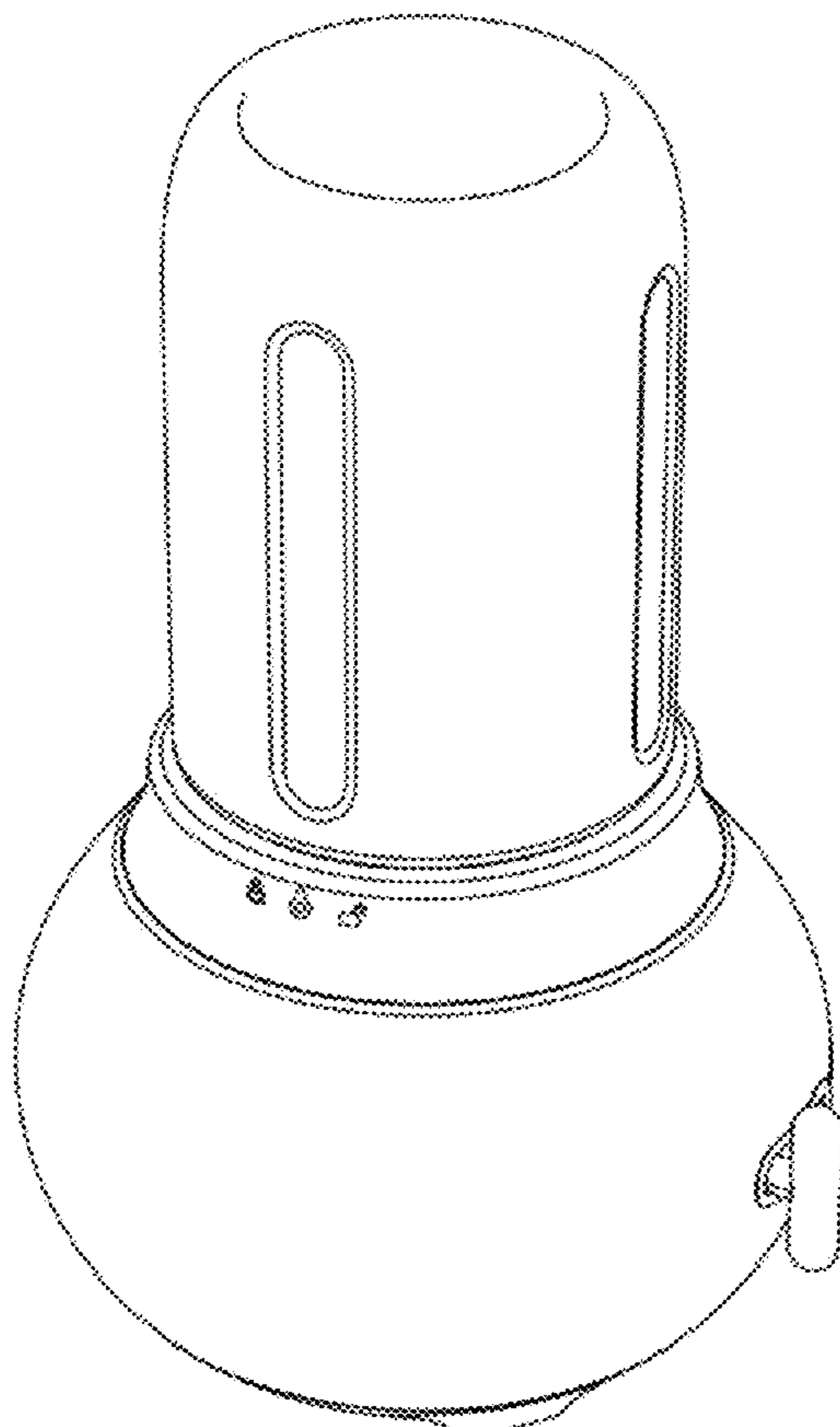
The ornamental design for a juicer, as shown and described.

**DESCRIPTION**

FIG. 1 is a top, front, right side view of the juicer showing my design.  
FIG. 2 is a front view thereof;  
FIG. 3 is a back view thereof;  
FIG. 4 is a left side view thereof;  
FIG. 5 is a right side view thereof;  
FIG. 6 is a top view thereof; and,  
FIG. 7 is a bottom view thereof.

**1 Claim, 7 Drawing Sheets**

(56) **References Cited**  
U.S. PATENT DOCUMENTS  
D63,066 S \* 10/1923 Blessing ..... D7/665  
1,849,112 A \* 3/1932 Poplawski ..... A47J 42/56  
241/37.5  
D369,530 S \* 5/1996 Risse ..... D7/665  
D581,225 S \* 11/2008 de Groot ..... D7/678  
D710,659 S \* 8/2014 Marquez ..... D7/665



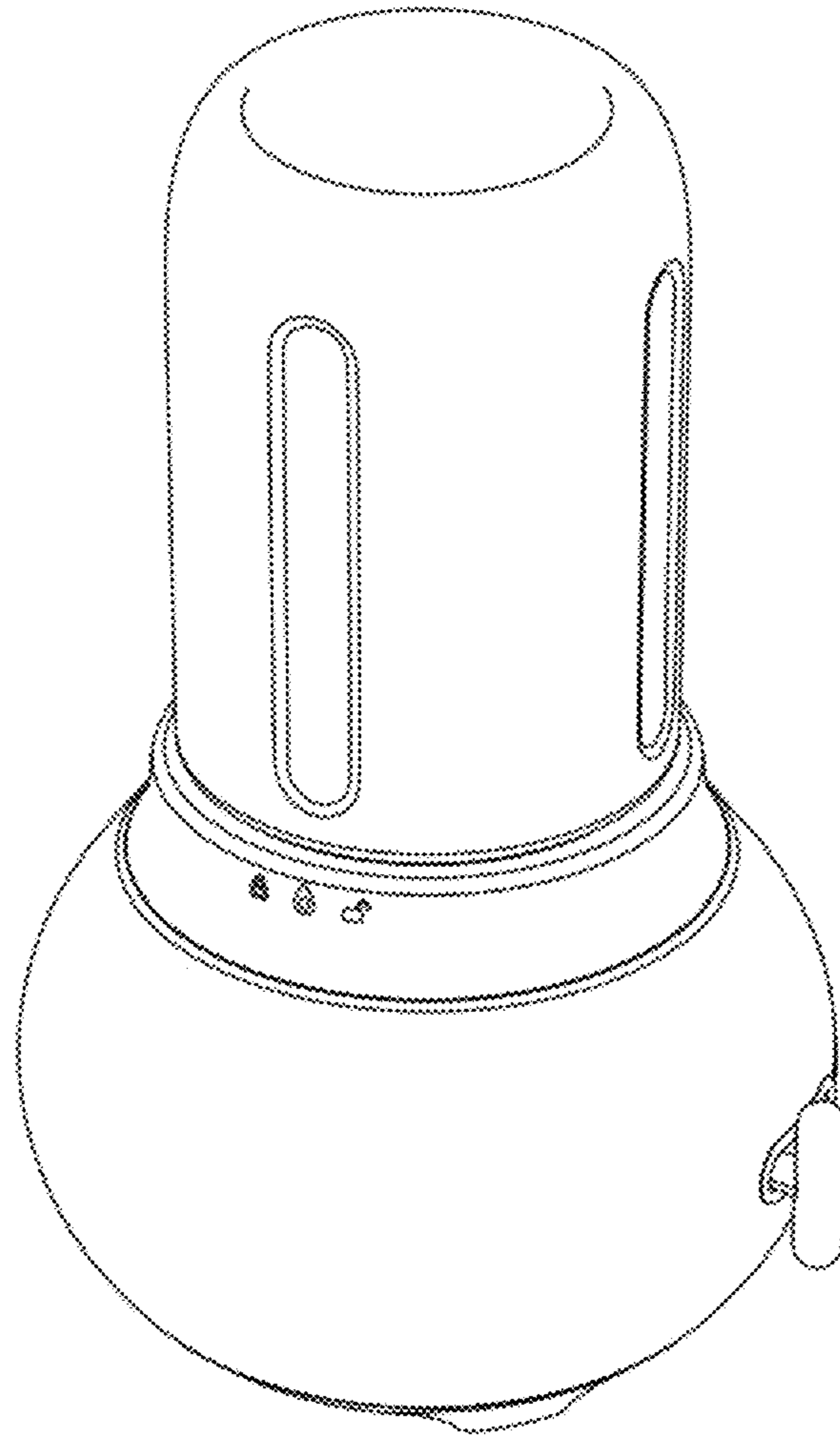


FIG. 1

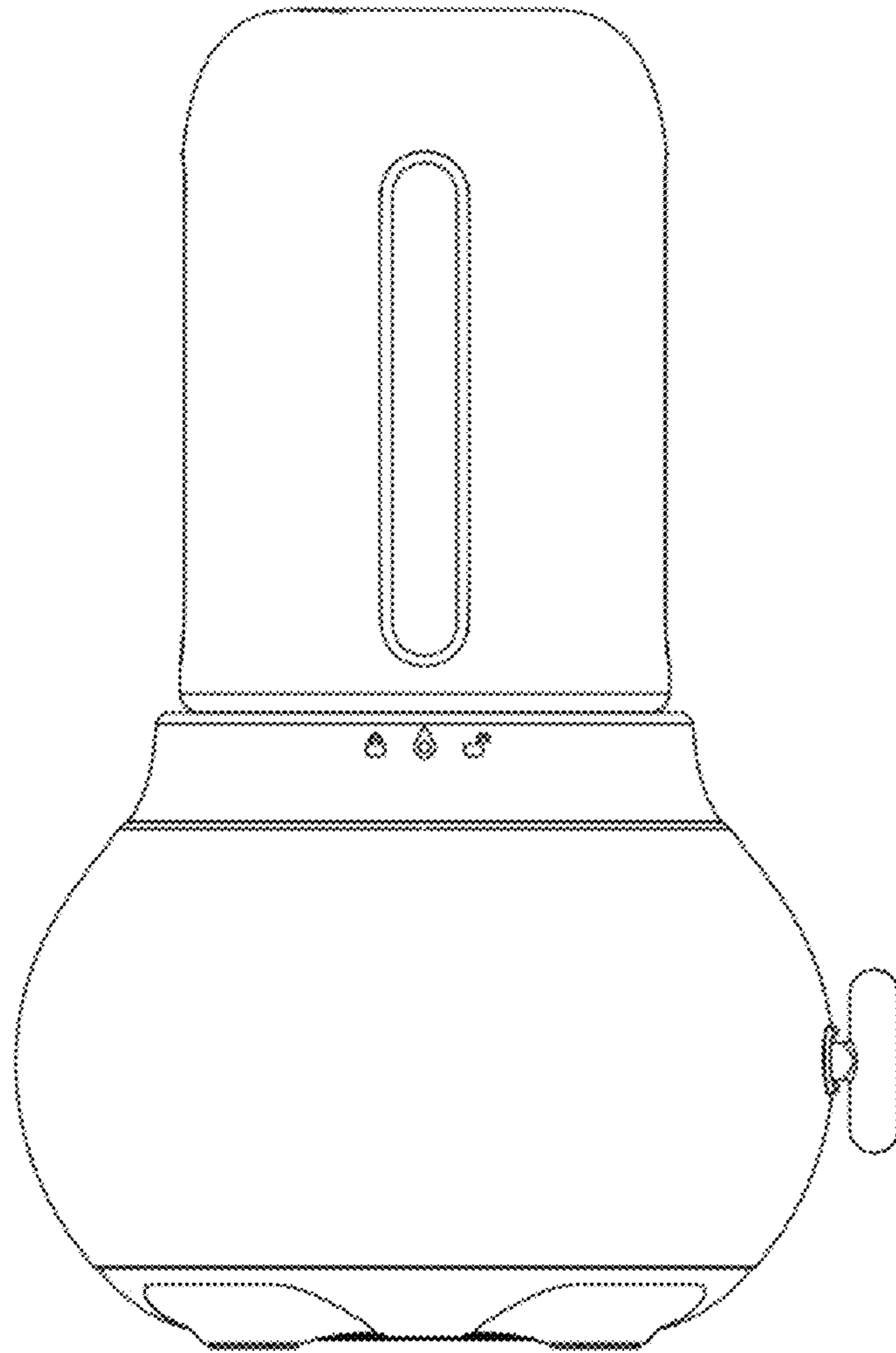


FIG. 2

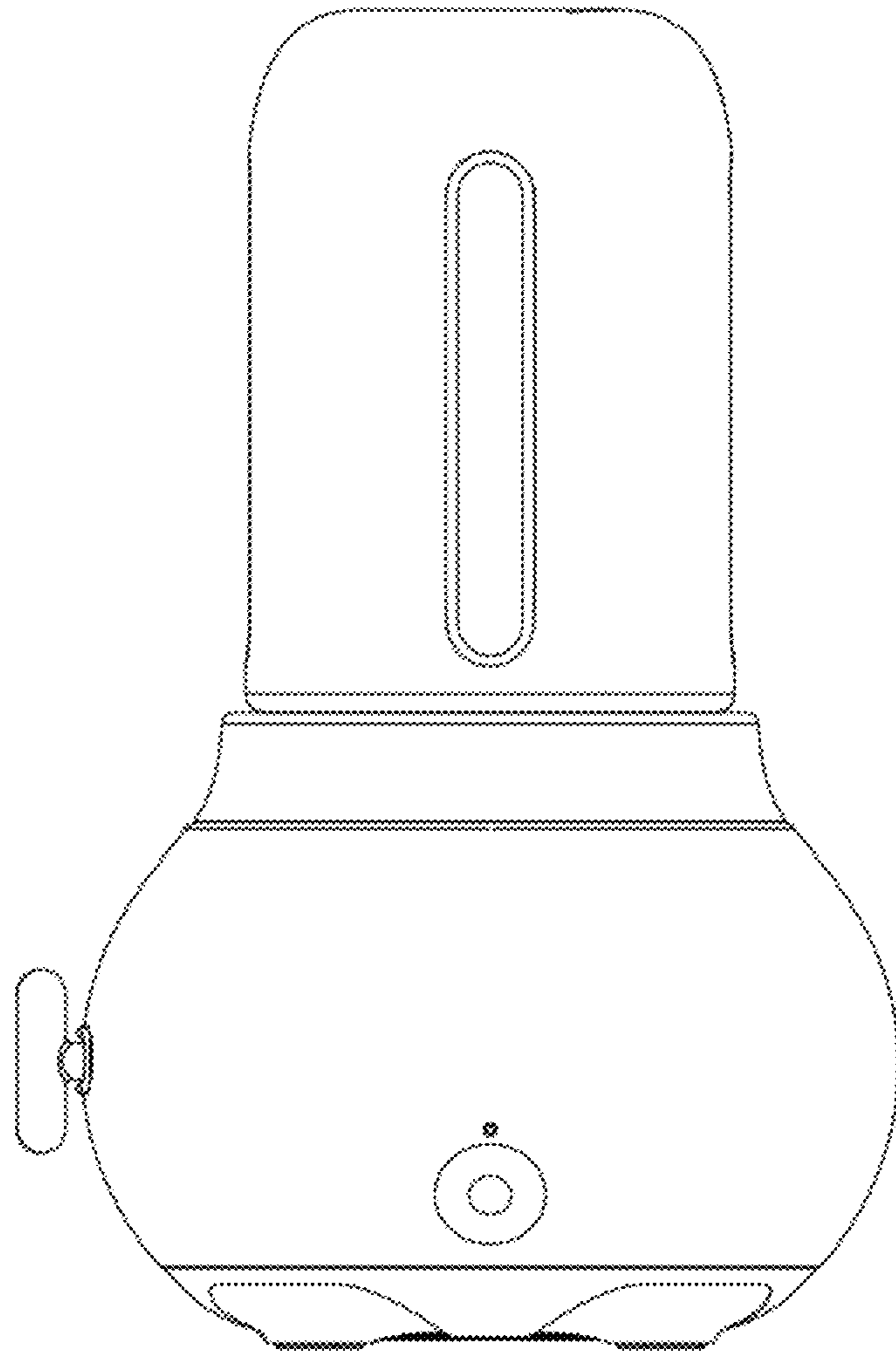


FIG. 3

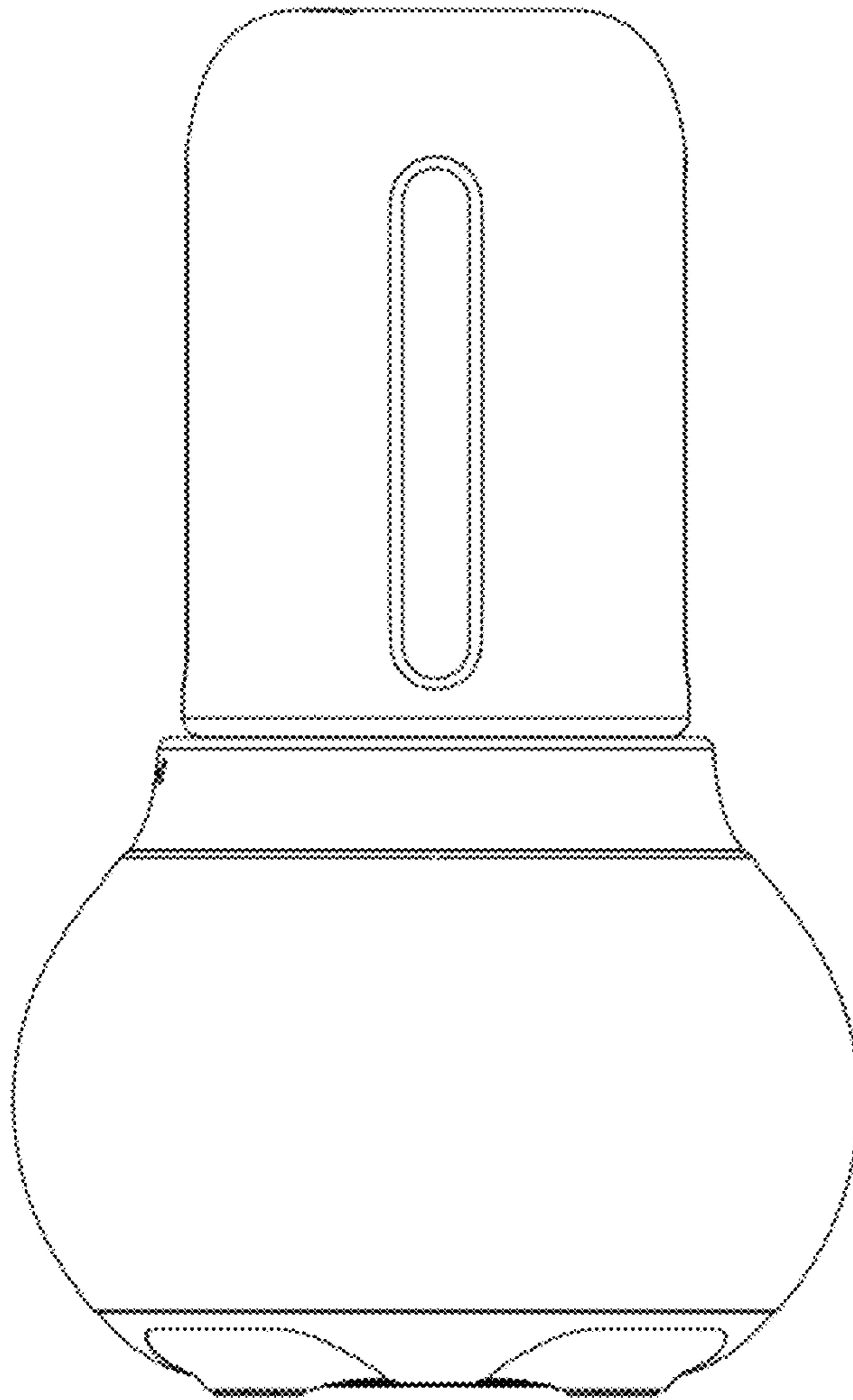


FIG. 4

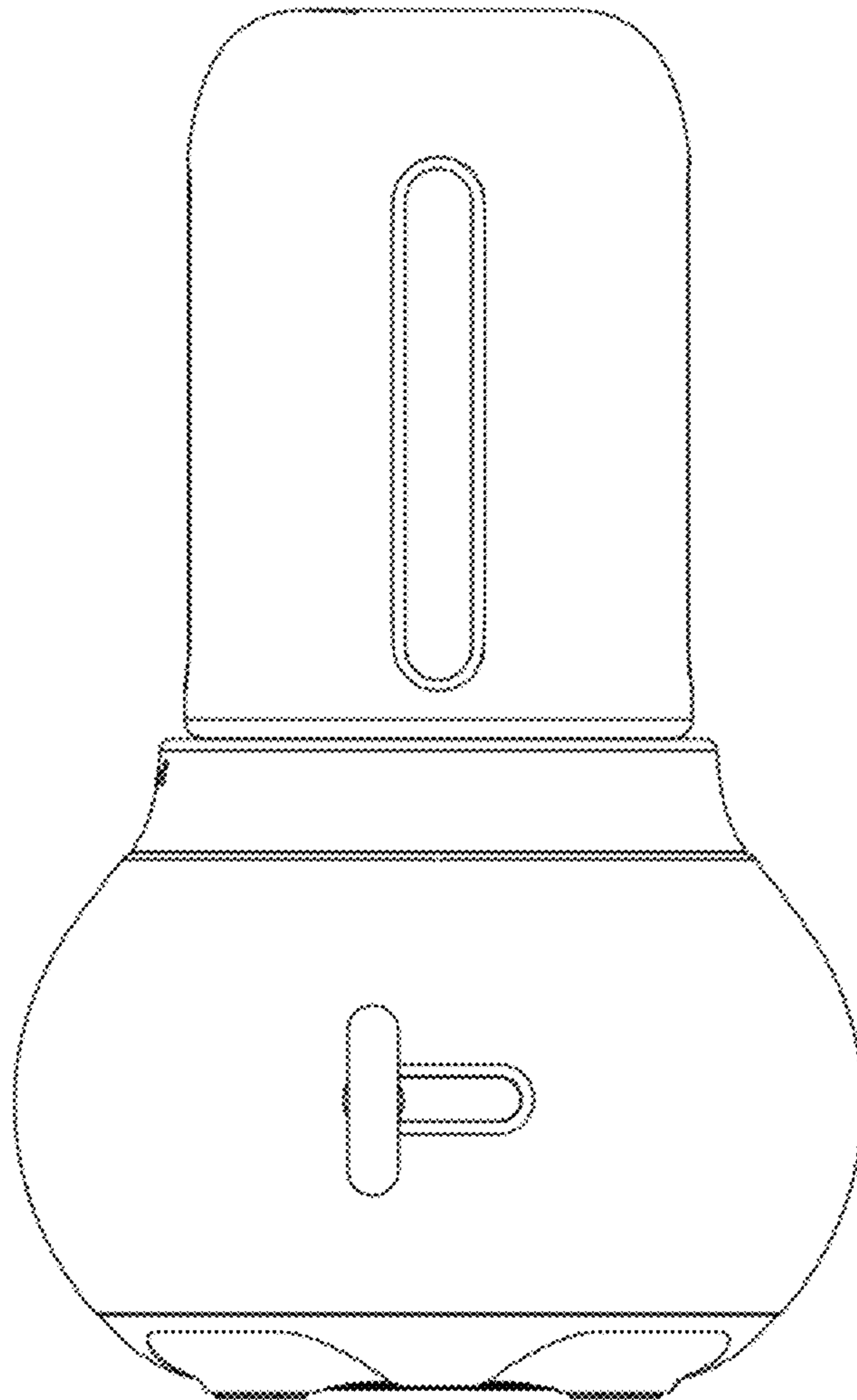


FIG. 5

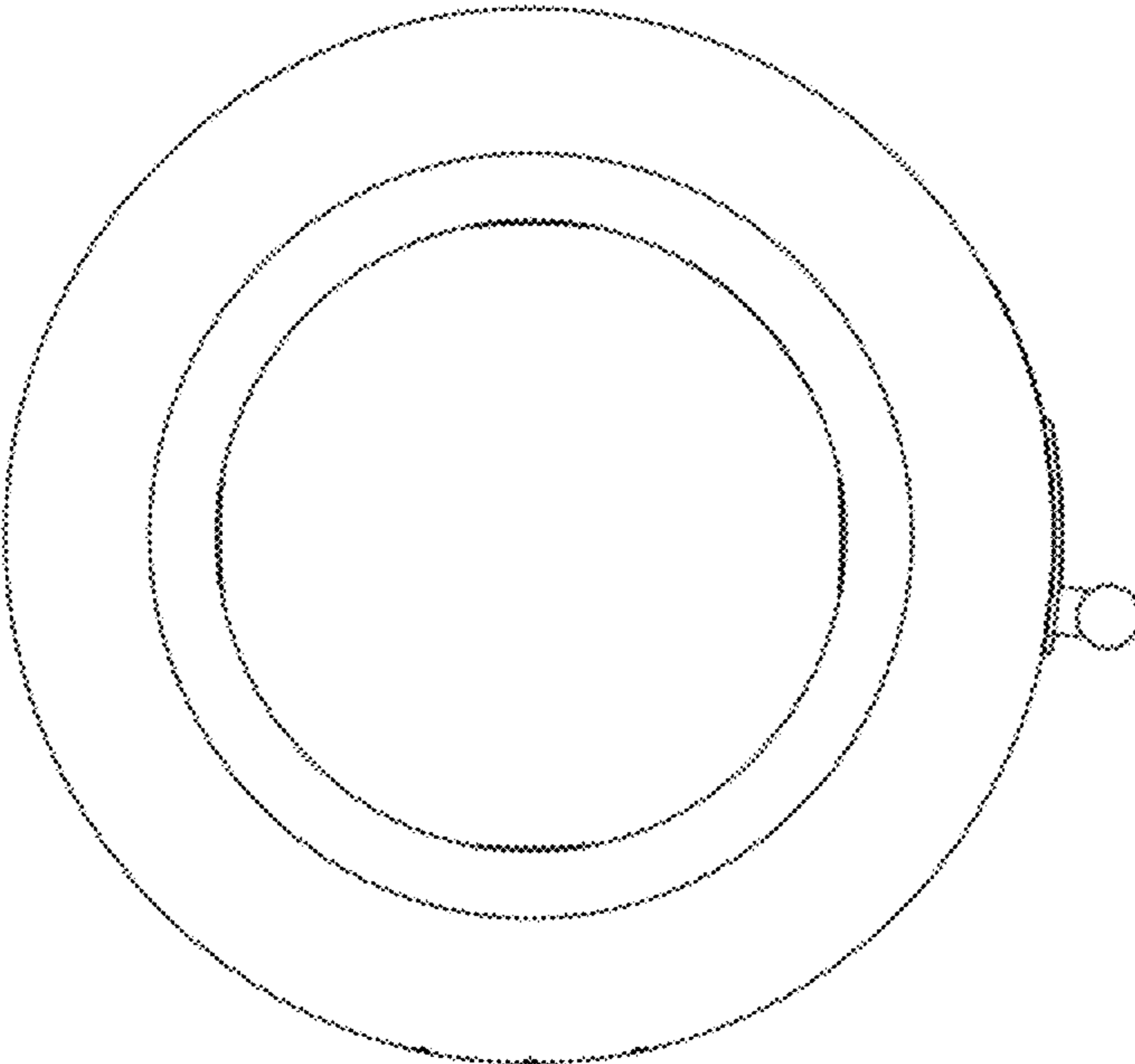


FIG. 6

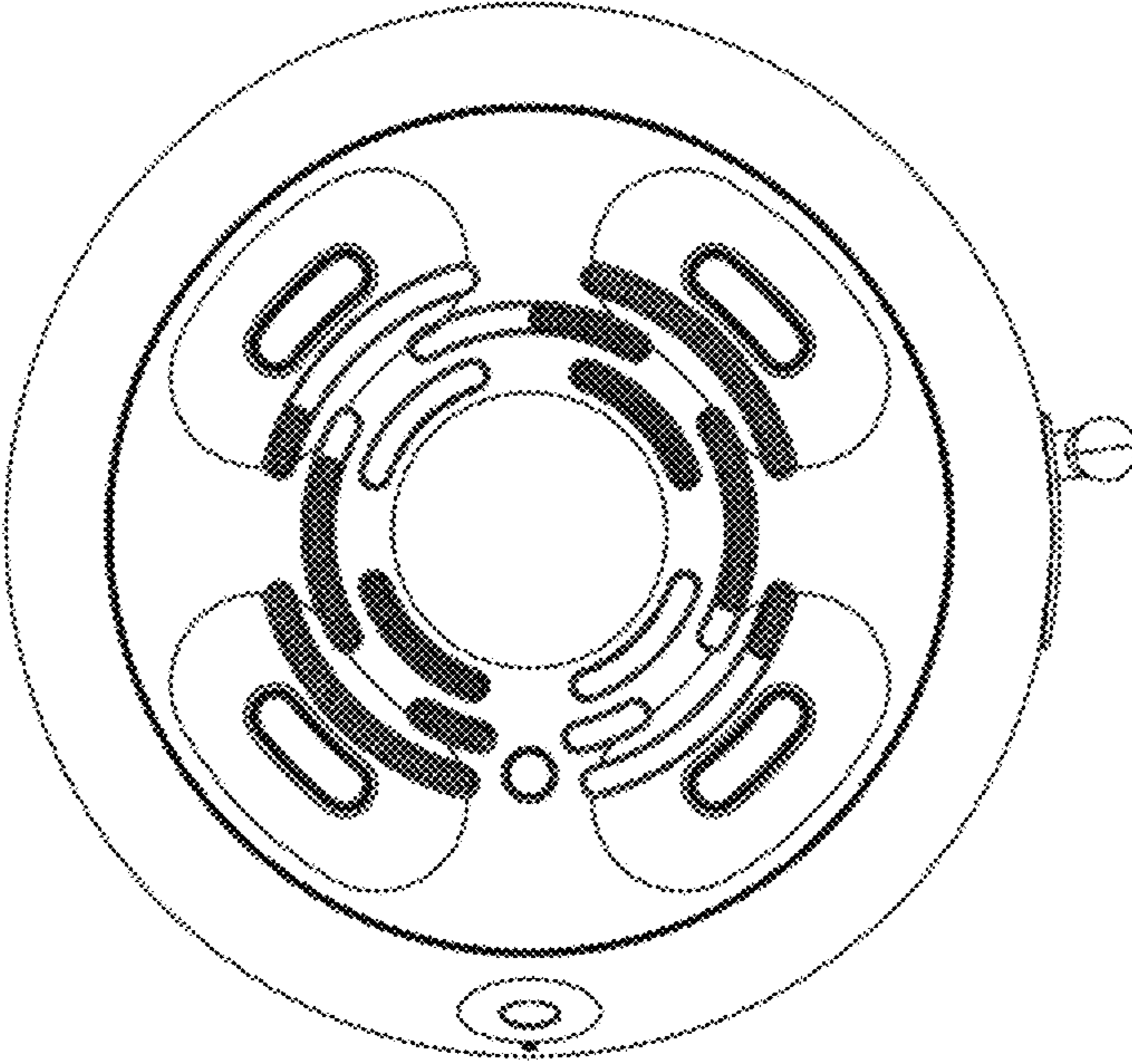


FIG. 7