



US00D972376S

(12) **United States Design Patent**
Zhang

(10) **Patent No.:** **US D972,376 S**
(45) **Date of Patent:** **** Dec. 13, 2022**

(54) **SPOON TIP**

(71) Applicant: **THINK GREEN LIMITED**, Auckland (NZ)

(72) Inventor: **Shuting Zhang**, Hubei (CN)

(73) Assignee: **THINK GREEN LIMITED**, Auckland (CN)

(**) Term: **15 Years**

(21) Appl. No.: **29/831,291**

(22) Filed: **Mar. 18, 2022**

(30) **Foreign Application Priority Data**

Dec. 28, 2021 (CN) 202130867602.8
(51) **LOC (13) Cl.** **07-03**

(52) **U.S. Cl.**
USPC **D7/653**

(58) **Field of Classification Search**

USPC D7/368, 401.2, 642-645, 653-664, 669,
D7/675-677, 681, 683, 688-689, 691;
D8/107, 300-301; D22/117-118;
D24/198

CPC ... A01D 9/02; A01D 9/04; A01D 9/06; A45C
11/20; A46B 5/023; A47G 21/00; A47G
21/004; A47G 21/005; A47G 21/02;
A47G 21/023; A47G 21/04; A47G 21/06;
A47G 21/08; A47J 43/28; A47J 43/281;
A47J 43/282; A61F 13/10; A61J 7/0023;
A61J 7/0053; A61K 9/0095; B25G 1/00;
B25G 1/01; B25G 1/02; B25G 3/00;
B65D 51/246; B65D 75/56; B65D
75/563; B65D 75/566; B67B 7/00; B67B
7/724; B67B 7/73

See application file for complete search history.

(56) **References Cited**

U.S. PATENT DOCUMENTS

- 2,889,829 A * 6/1959 Tannenbaum A61J 7/0053
215/11.1
- 2,953,170 A * 9/1960 Bush B65D 51/246
401/266
- 3,133,679 A * 5/1964 Brown A61J 7/0053
222/205
- 5,013,321 A * 5/1991 MacVane A61J 7/0053
426/115

(Continued)

FOREIGN PATENT DOCUMENTS

CA 147069 8/2012

OTHER PUBLICATIONS

Gedebey Baby Food Feeder. Date reviewed on Amazon.com Feb. 9, 2021. <https://www.amazon.com/Gedebey-Pacifier-Silicone-Teething-Pacifiers/dp/B089FLZXL8/ref> (Year: 2021).*

Primary Examiner — Ricky Pham

(74) *Attorney, Agent, or Firm* — Dragon Sun Law Firm, PC; Jinggao Li; Nathaniel Perkins

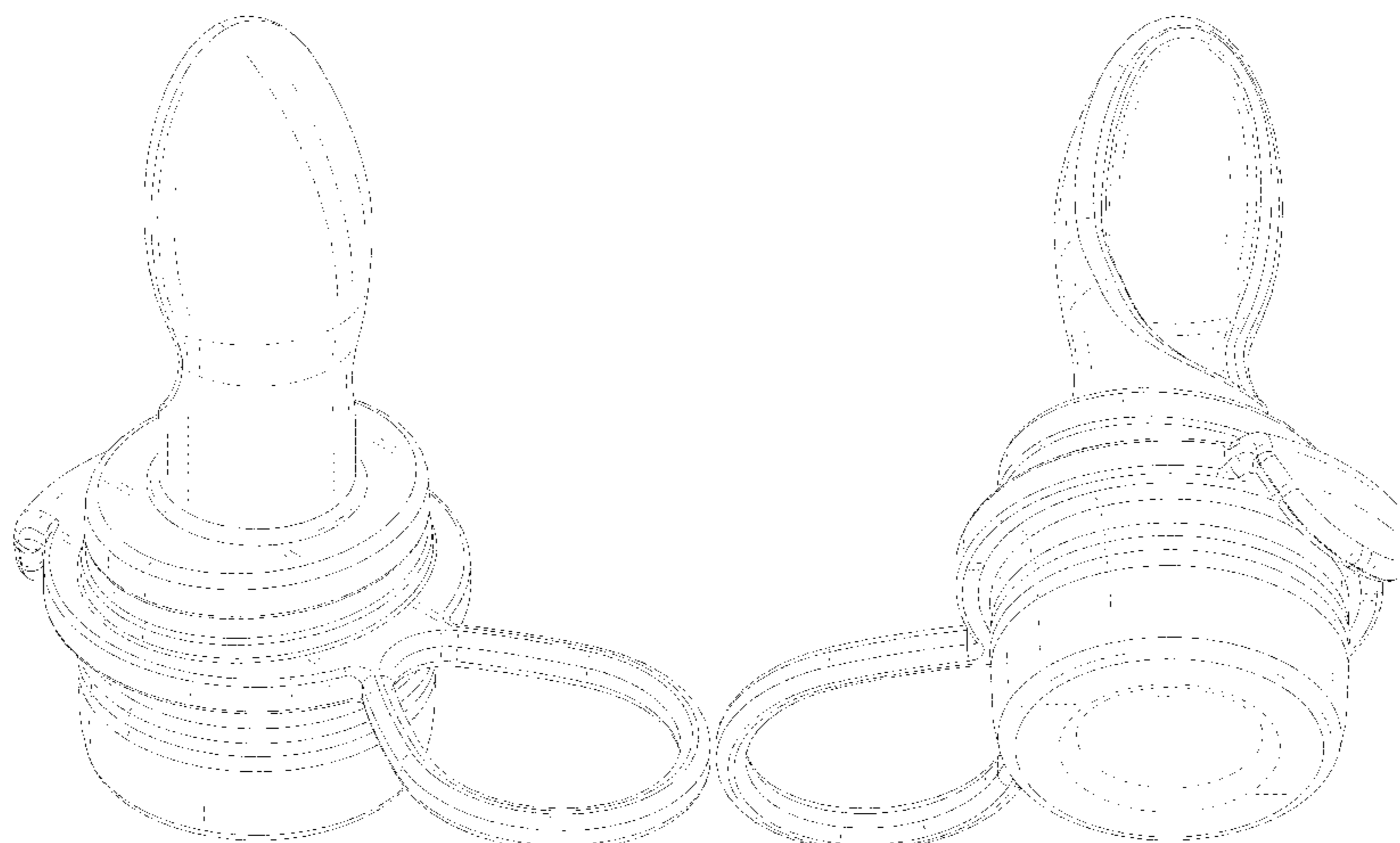
(57) **CLAIM**

The ornamental design for a spoon tip, as shown and described.

DESCRIPTION

FIG. 1 is a front, right side, top perspective view of a spoon tip embodying my new design;
FIG. 2 is a rear, left side, bottom perspective view thereof;
FIG. 3 is a front elevation view thereof;
FIG. 4 is a rear elevation view thereof;
FIG. 5 is a left side elevation view thereof;
FIG. 6 is a right side elevation view thereof;
FIG. 7 is a top plan view thereof; and,
FIG. 8 is a bottom plan view thereof.
The broken lines shown in the figures depict portions of the spoon tip that form no part of the claimed design.

1 Claim, 8 Drawing Sheets



(56)

References Cited

U.S. PATENT DOCUMENTS

D349,770 S * 8/1994 Jarnagin D24/198
6,102,254 A * 8/2000 Ross A61K 9/0095
141/114
6,264,074 B1 * 7/2001 Emilsson A61J 7/0023
30/141
6,675,482 B1 * 1/2004 Gilbert, Jr. A61J 7/0053
222/258
7,374,046 B1 * 5/2008 O'Brien A45C 11/20
206/541
D580,715 S 11/2008 Finell
D629,250 S 12/2010 Finell et al.
8,020,303 B1 * 9/2011 Marsh A47G 21/004
30/125
8,211,144 B2 * 7/2012 Rohrig A46B 5/023
606/235
D676,718 S 2/2013 Rockwell et al.
D922,834 S 6/2021 Schiavoni
2004/0006874 A1 * 1/2004 Kamm B65D 51/246
30/141

* cited by examiner

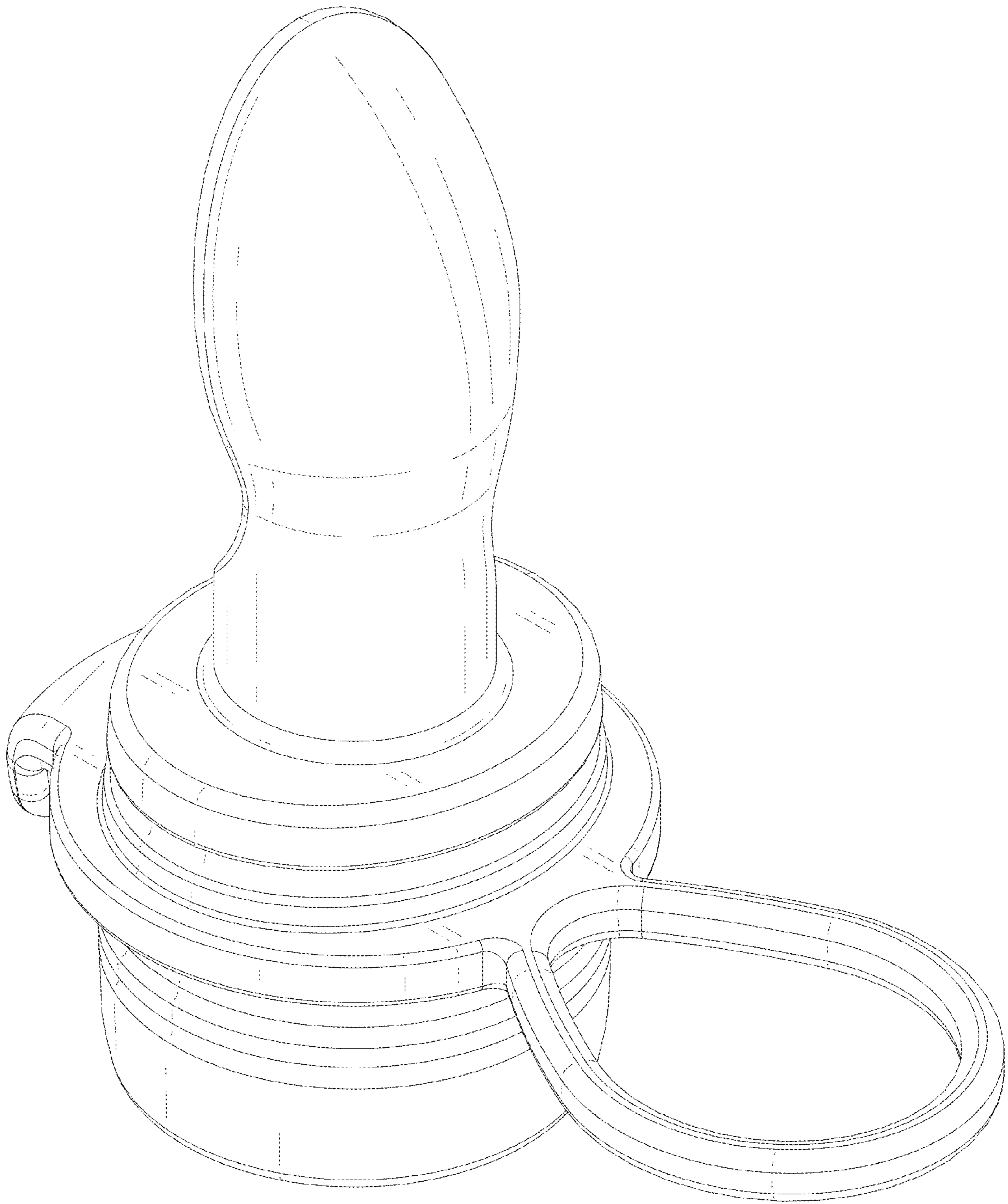


FIG.1

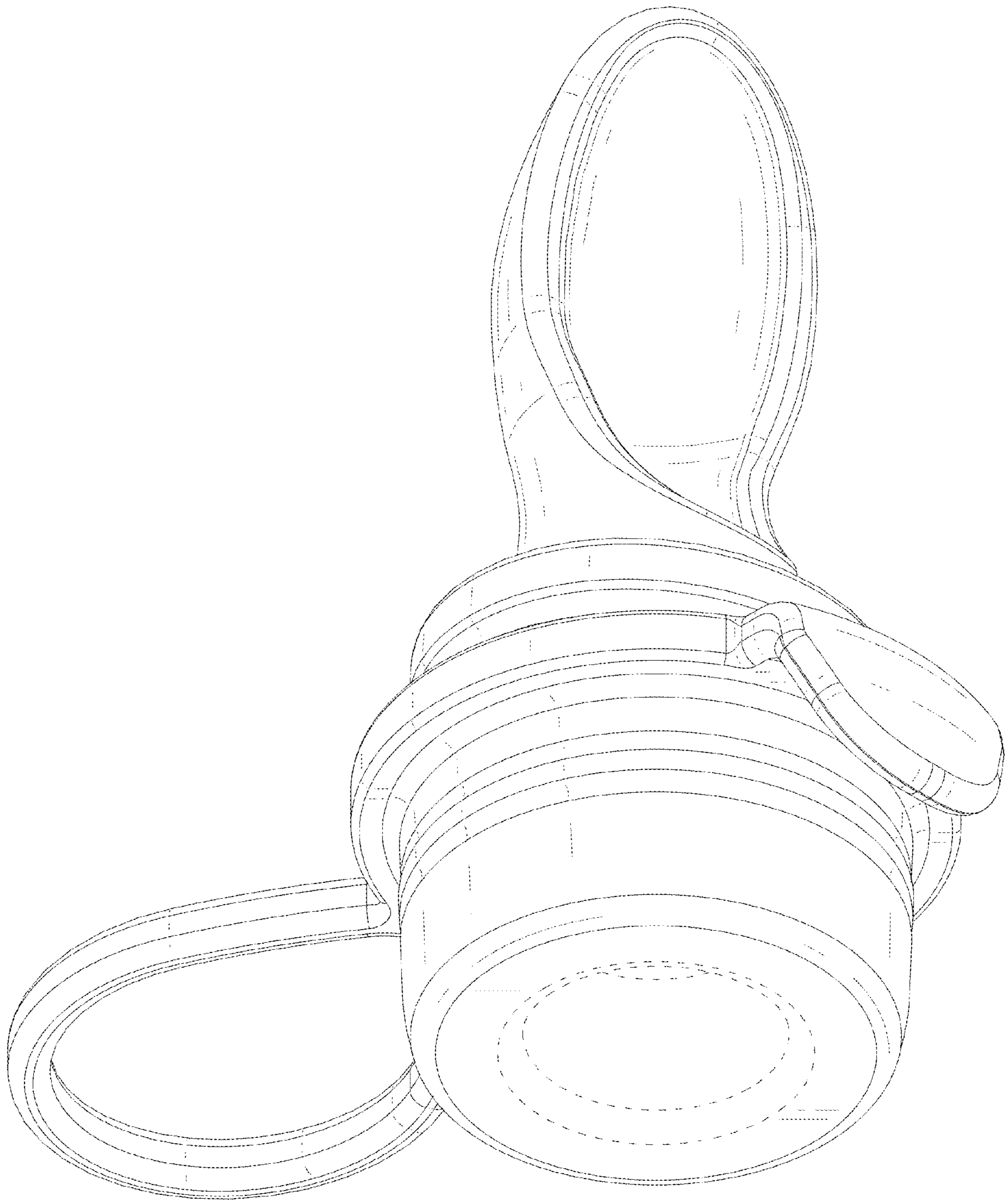


FIG.2

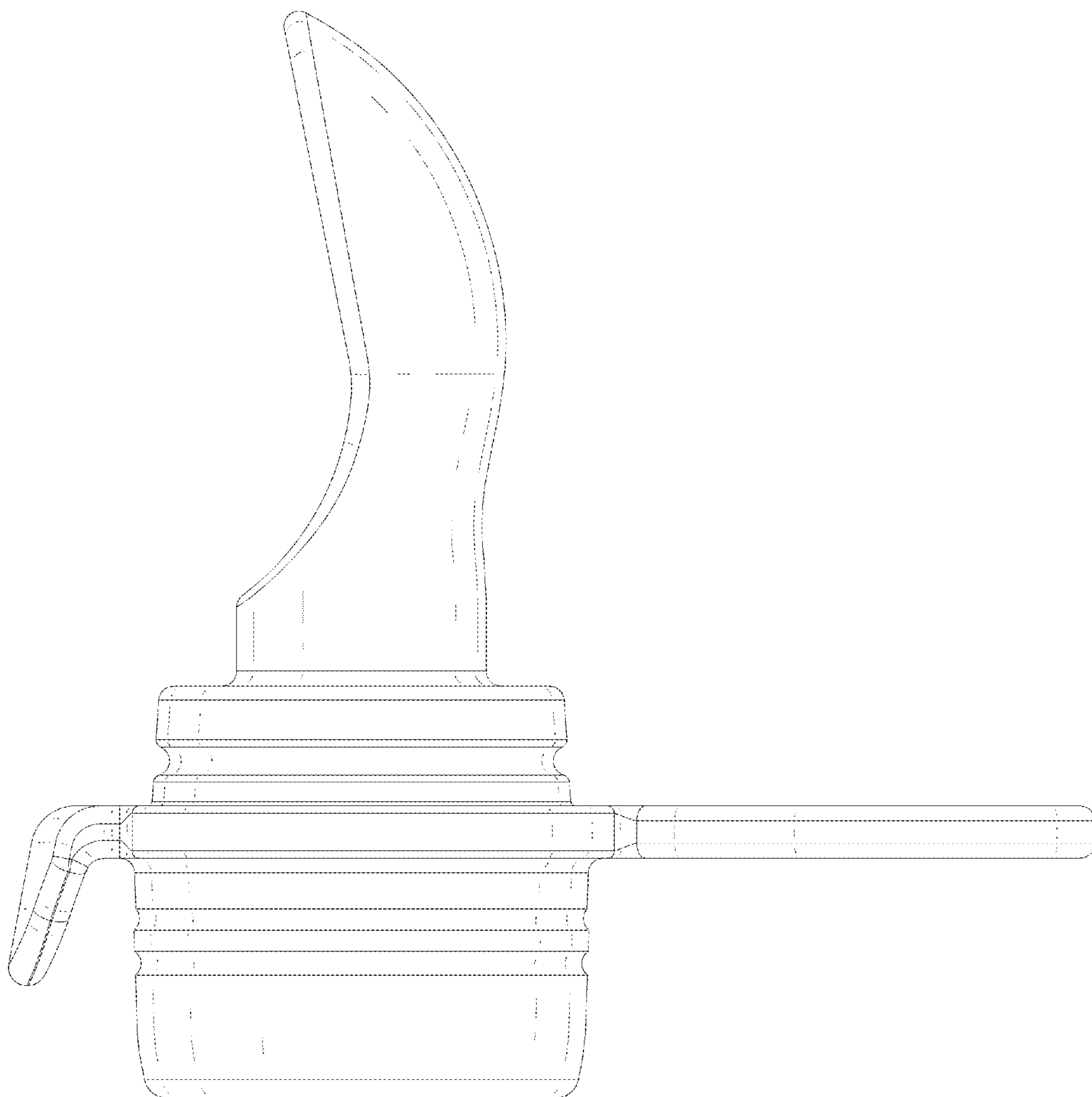


FIG.3

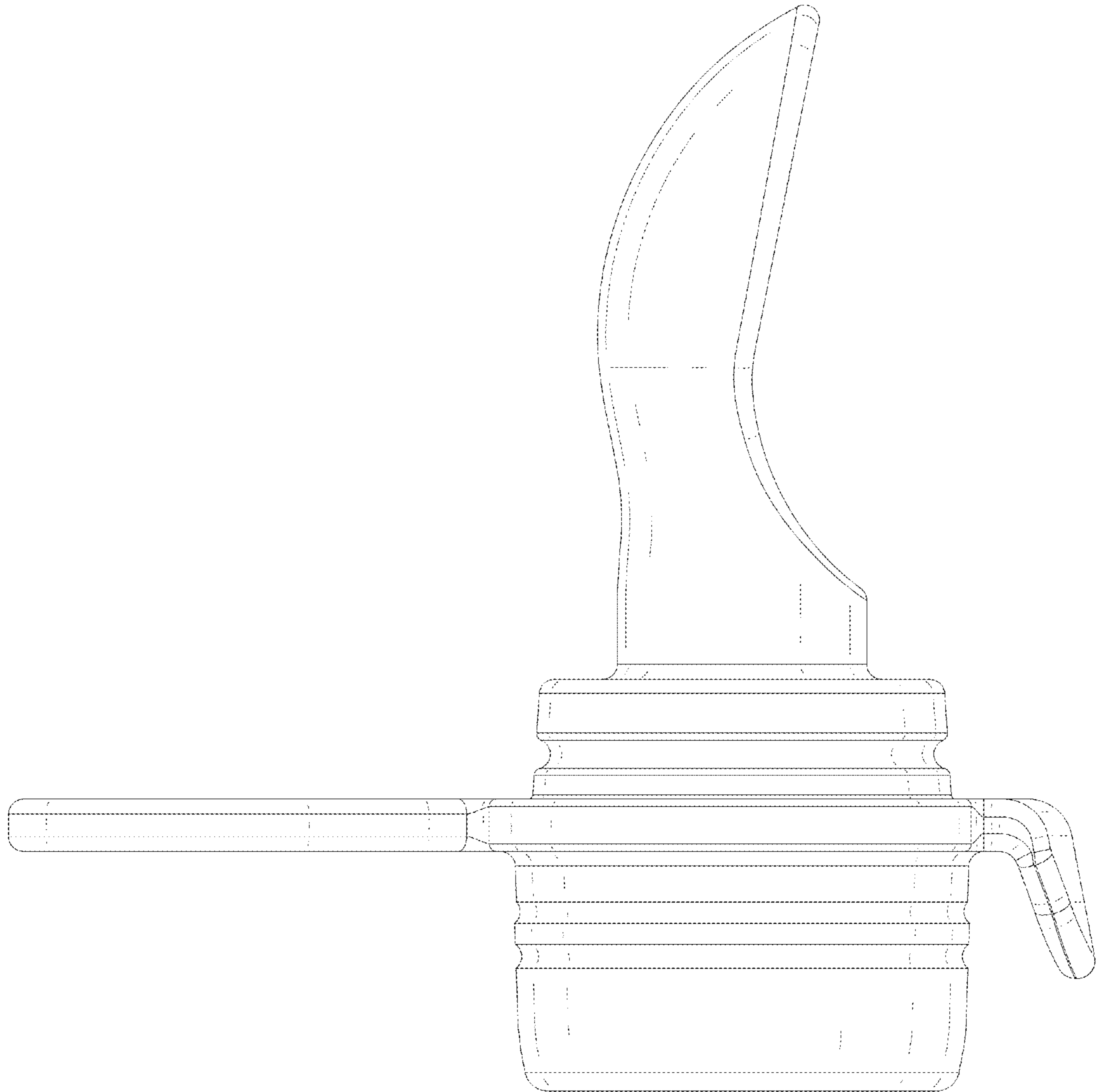


FIG.4

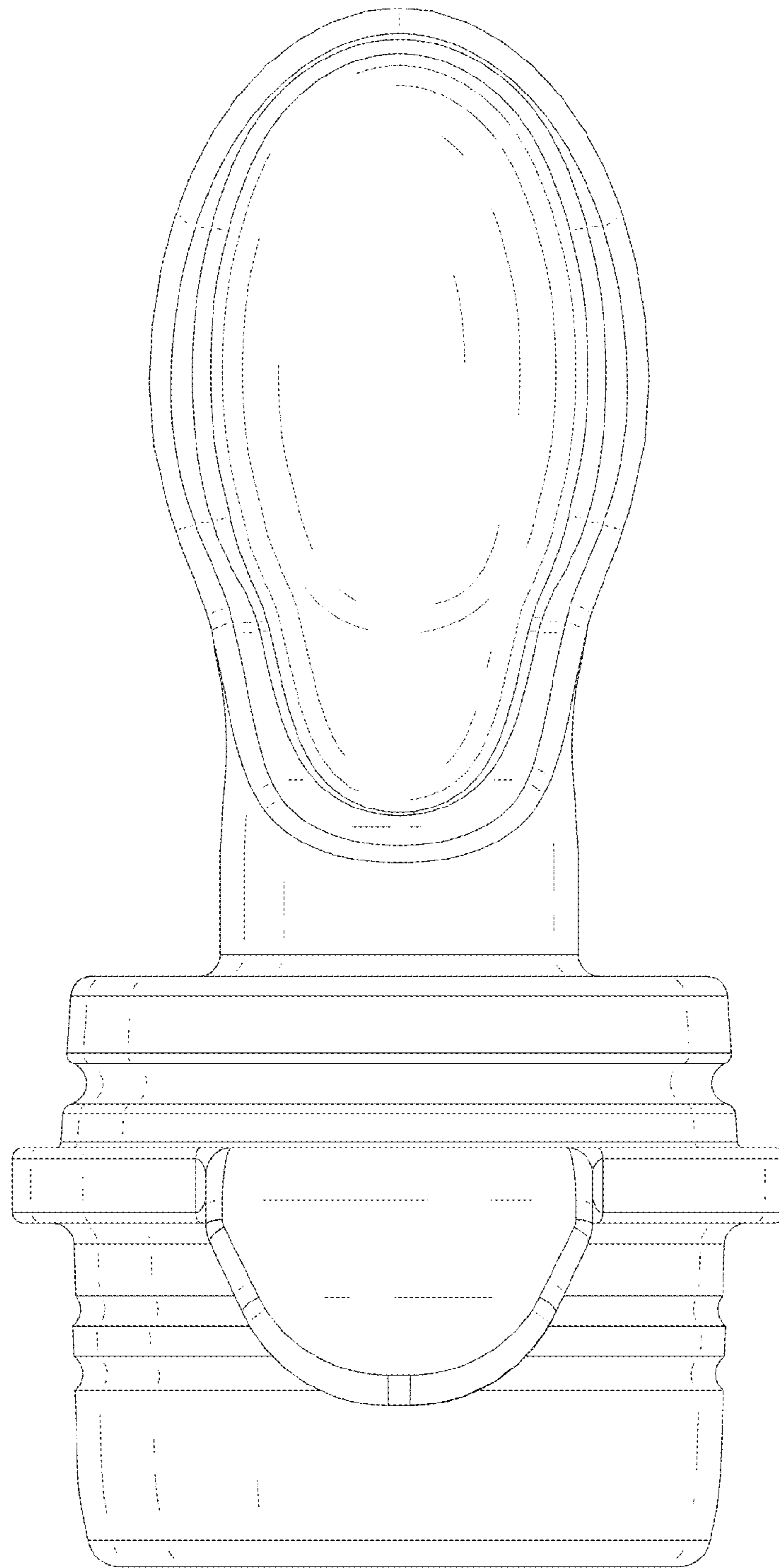


FIG.5

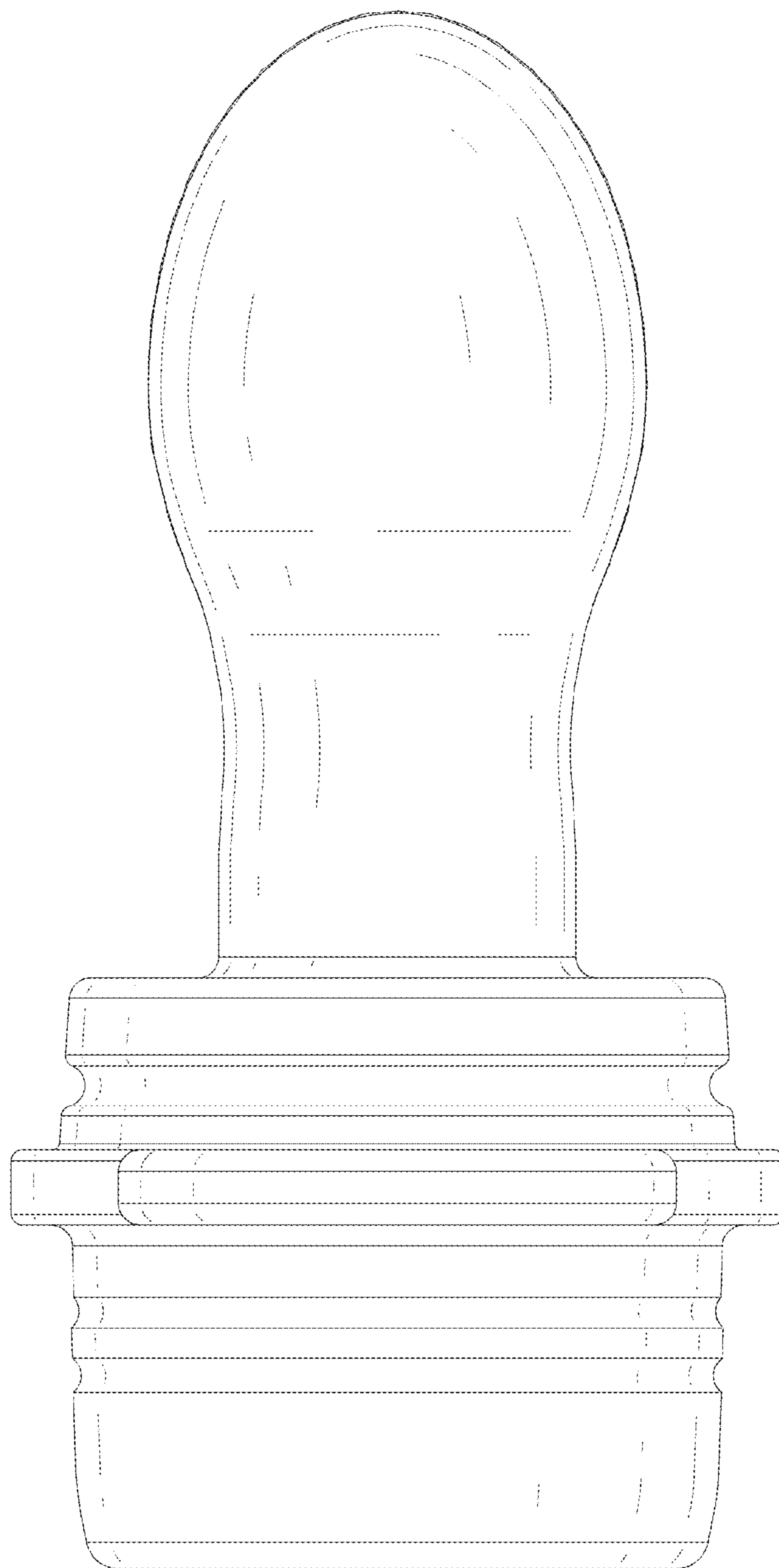


FIG.6

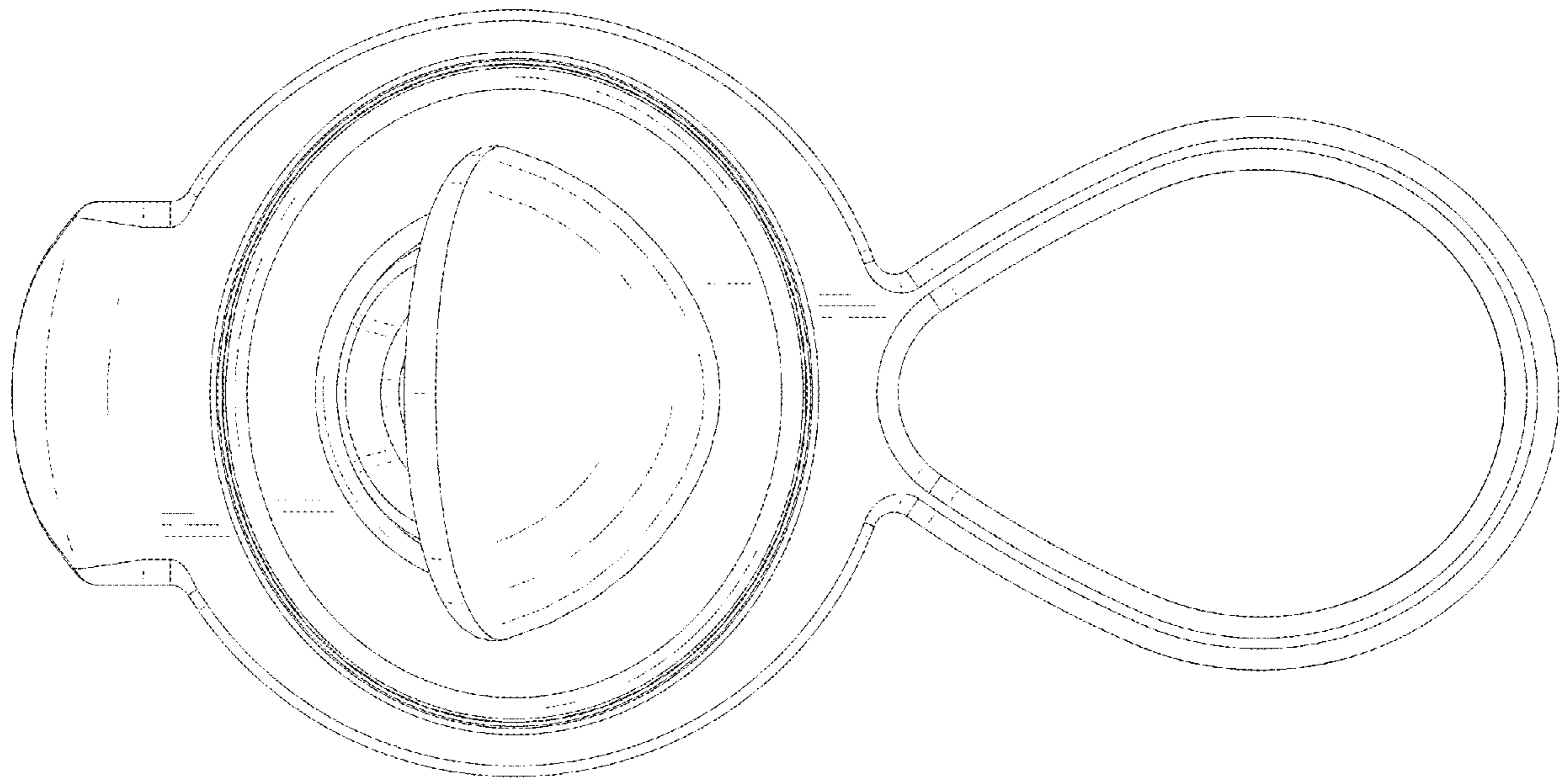


FIG.7

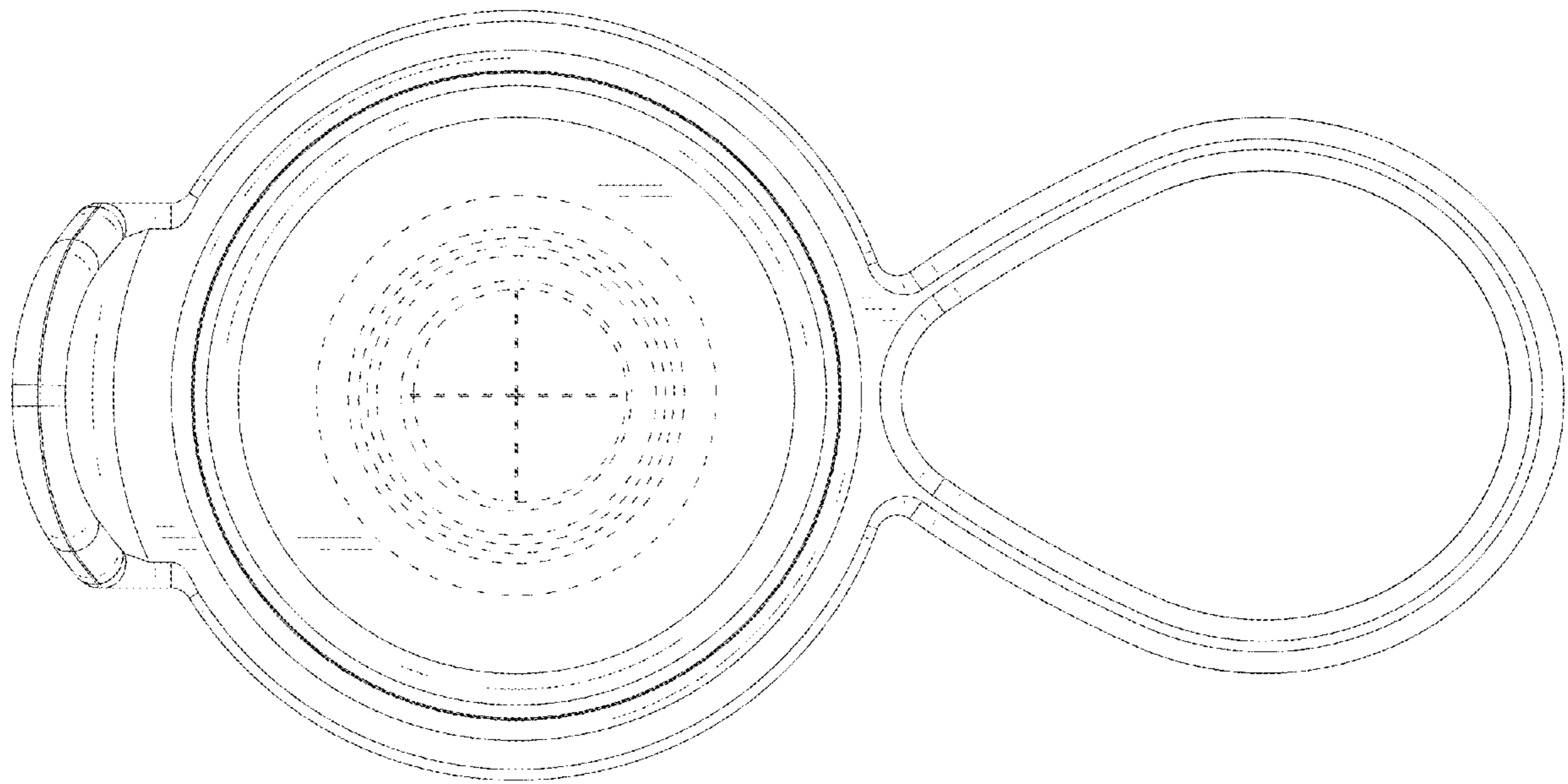


FIG.8