



US00D972375S

(12) **United States Design Patent** (10) **Patent No.:** **US D972,375 S**
Ying et al. (45) **Date of Patent:** **** Dec. 13, 2022**

(54) **STORAGE BOX**
(71) Applicants: **YONGKANG CHUNKAI IMPORT & EXPORT CO., LTD**, Jinhua (CN); **DIGITAL DEALS LLC**, Charlotte, NC (US)
(72) Inventors: **Jufen Ying**, Jinhua (CN); **Charles Duncan Palmer**, Charlotte, NC (US)
(73) Assignees: **YONGKANG CHUNKAI IMPORT & EXPORT CO., LTD**, Jinhua (CN); **DIGITAL DEALS LLC**, Charlotte, NC (US)
(**) Term: **15 Years**
(21) Appl. No.: **29/823,793**
(22) Filed: **Jan. 20, 2022**
(51) **LOC (13) Cl.** **09-07**
(52) **U.S. Cl.**
USPC **D7/629**
(58) **Field of Classification Search**
USPC D7/602, 609, 629, 630, 701, 703, 391, D7/392.1, 397; D9/416, 424, 425, 426, D9/430, 432, 435, 761; D19/102, 106; D3/201, 203.6, 273
CPC ... B65D 1/26; B65D 1/40; B65D 5/24; B65D 81/34; B65D 81/3453; B65D 2581/34; B65D 2581/3437
See application file for complete search history.

D803,637 S * 11/2017 Feng D7/629
D815,924 S * 4/2018 Croft D7/629
D825,284 S * 8/2018 Morales D7/629
D848,146 S 5/2019 Kincade et al.
D862,155 S * 10/2019 Dai D7/391
D880,957 S * 4/2020 Xu D7/629
D883,754 S * 5/2020 Xu D7/629
D911,117 S * 2/2021 Xu D7/602
D919,293 S * 5/2021 Fang D3/294

(Continued)

OTHER PUBLICATIONS

JaceBox Lunch Container | posted at Amazon.com, posted on Sep. 27, 2017, © 1996-2022 Amazon.com, [online], [site visited Sep. 10, 2022]. Available from Internet, <URL: <https://www.amazon.com/dp/B075ZG6BMX/>> (Year: 2017).*

(Continued)

Primary Examiner — Andrew Kerr

(57) **CLAIM**

The ornamental design for a storage box, as shown and described.

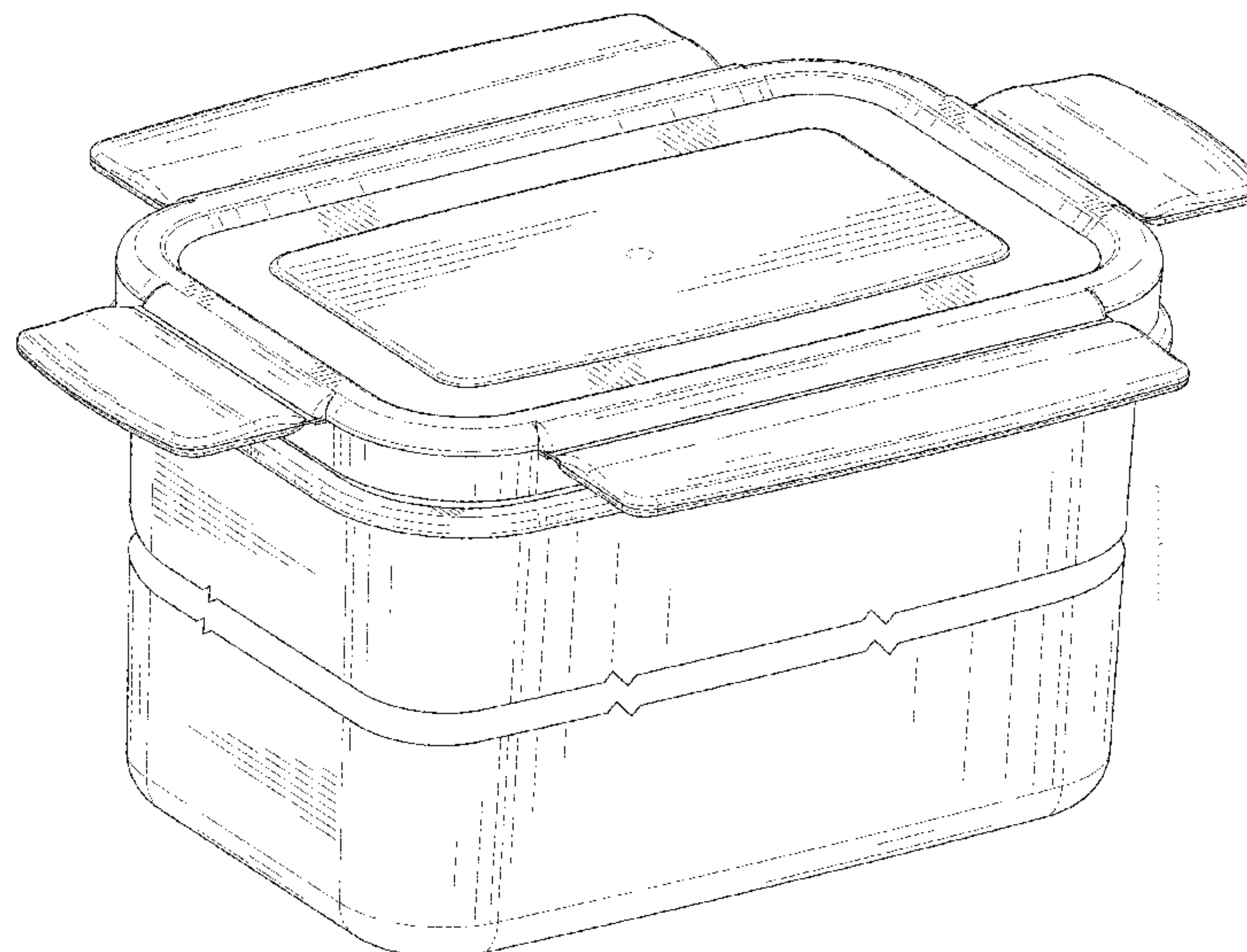
DESCRIPTION

FIG. 1 is a perspective view of a storage box showing our new design;
FIG. 2 is another perspective view thereof;
FIG. 3 is a front elevational view thereof;
FIG. 4 is a rear elevational view thereof;
FIG. 5 is a left side elevational view thereof;
FIG. 6 is a right side elevational view thereof;
FIG. 7 is a top plan view thereof; and,
FIG. 8 is a bottom plan view thereof.

The broken lines in the drawings depict portions of the storage box that form no part of the claimed design. The storage box is shown with a symbolic break in its length. The appearance of any portion of the article between the break lines forms no part of the claimed design.

1 Claim, 8 Drawing Sheets

(56) **References Cited**
U.S. PATENT DOCUMENTS
D660,095 S * 5/2012 Kyung D7/629
D682,052 S * 5/2013 Thomas D7/629
8,733,550 B2 * 5/2014 Harvey B65D 41/16
206/508
D722,832 S * 2/2015 Ra D7/602
D763,629 S * 8/2016 Swartz D7/629
D800,989 S 10/2017 Lucido



(56)

References Cited

U.S. PATENT DOCUMENTS

D948,965 S * 4/2022 Guo D7/629
D959,210 S * 8/2022 Lin D7/629
D959,925 S * 8/2022 Holmes D7/629
2004/0084464 A1 * 5/2004 Koo B65D 45/18
220/784

OTHER PUBLICATIONS

Glass food storage container set | posted at Amazon.com, posted on Aug. 7, 2020, © 1996-2022 Amazon.com, [online], [site visited Oct. 19, 2022]. Available from Internet, <URL: <https://www.amazon.com/dp/B08FF5HH9H/>> (Year: 2020).*

* cited by examiner

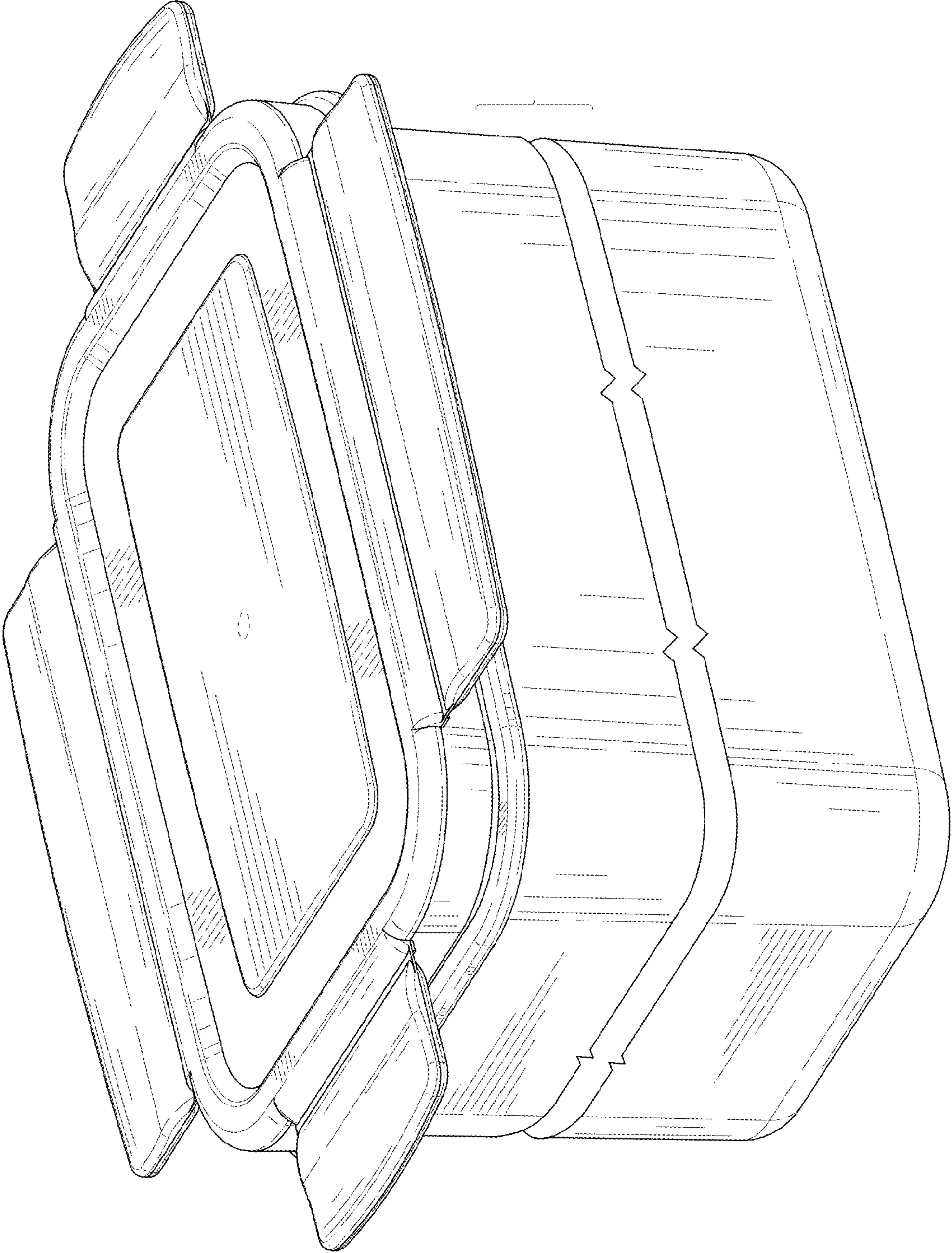


FIG. 1

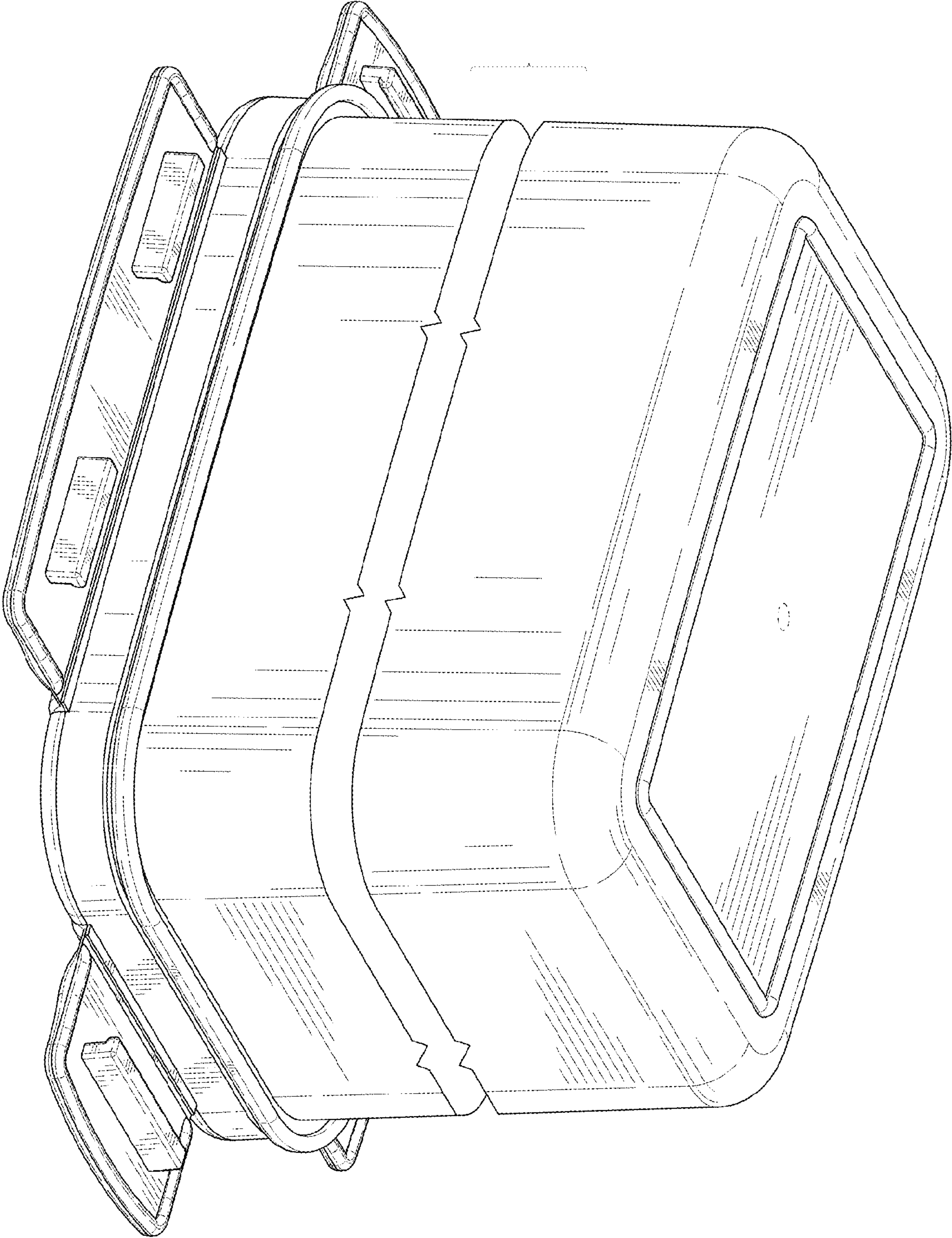


FIG. 2

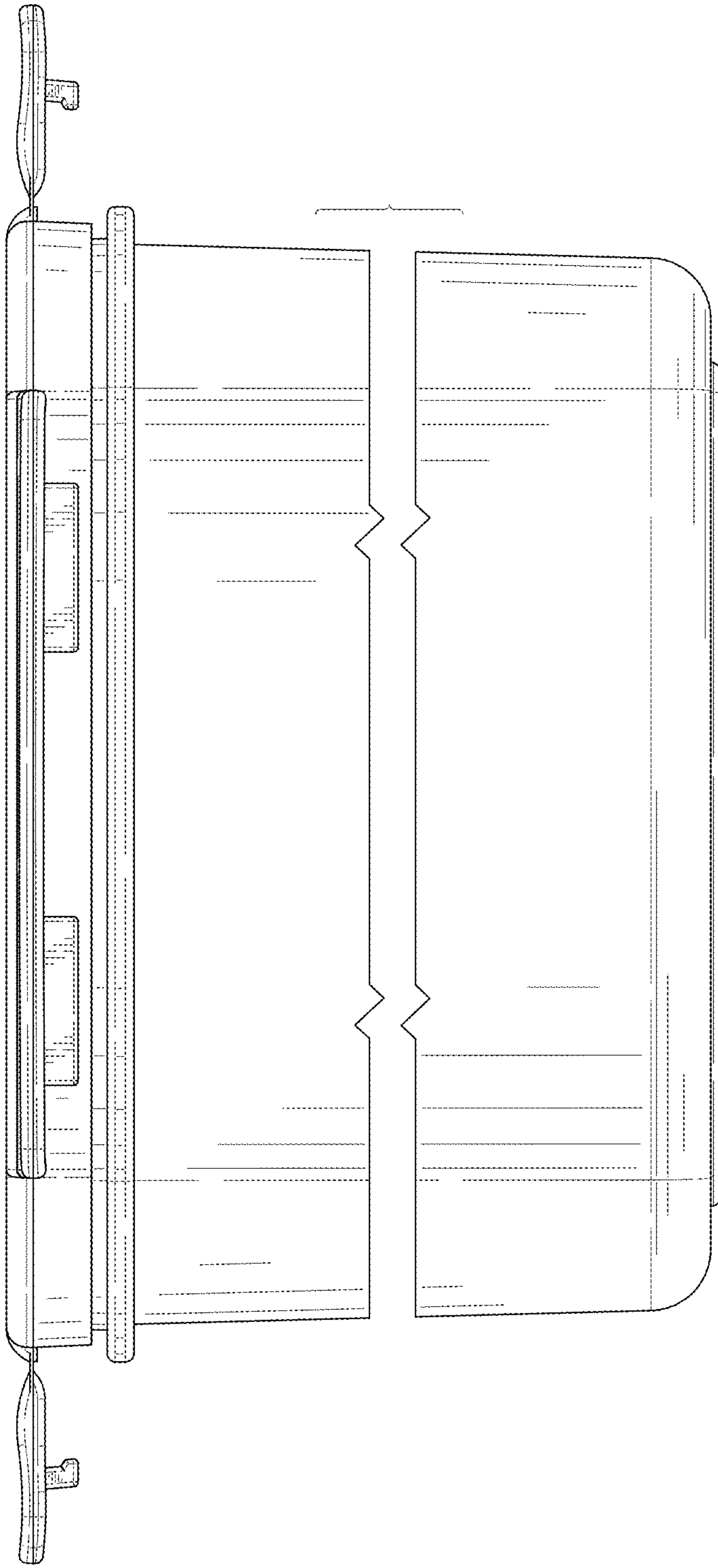


FIG. 3

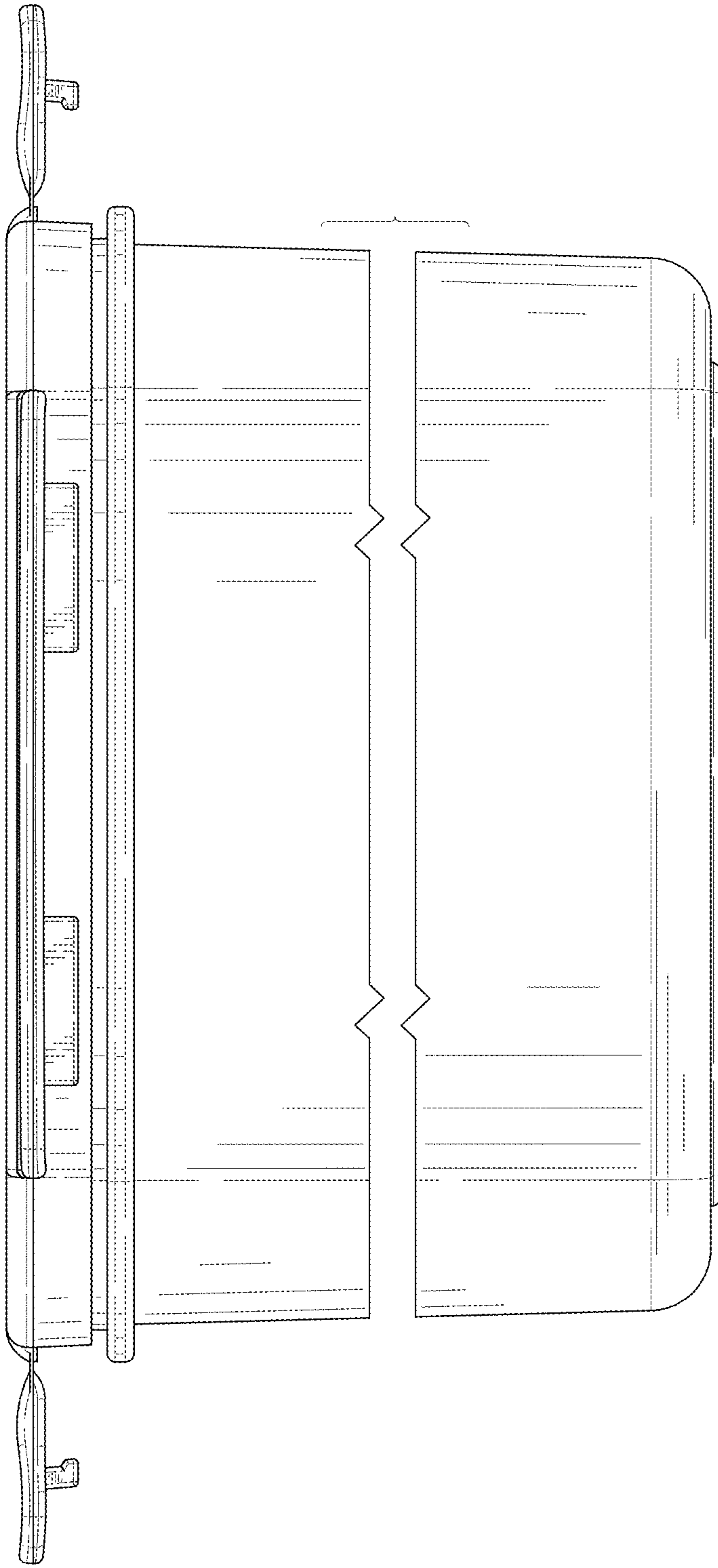


FIG. 4

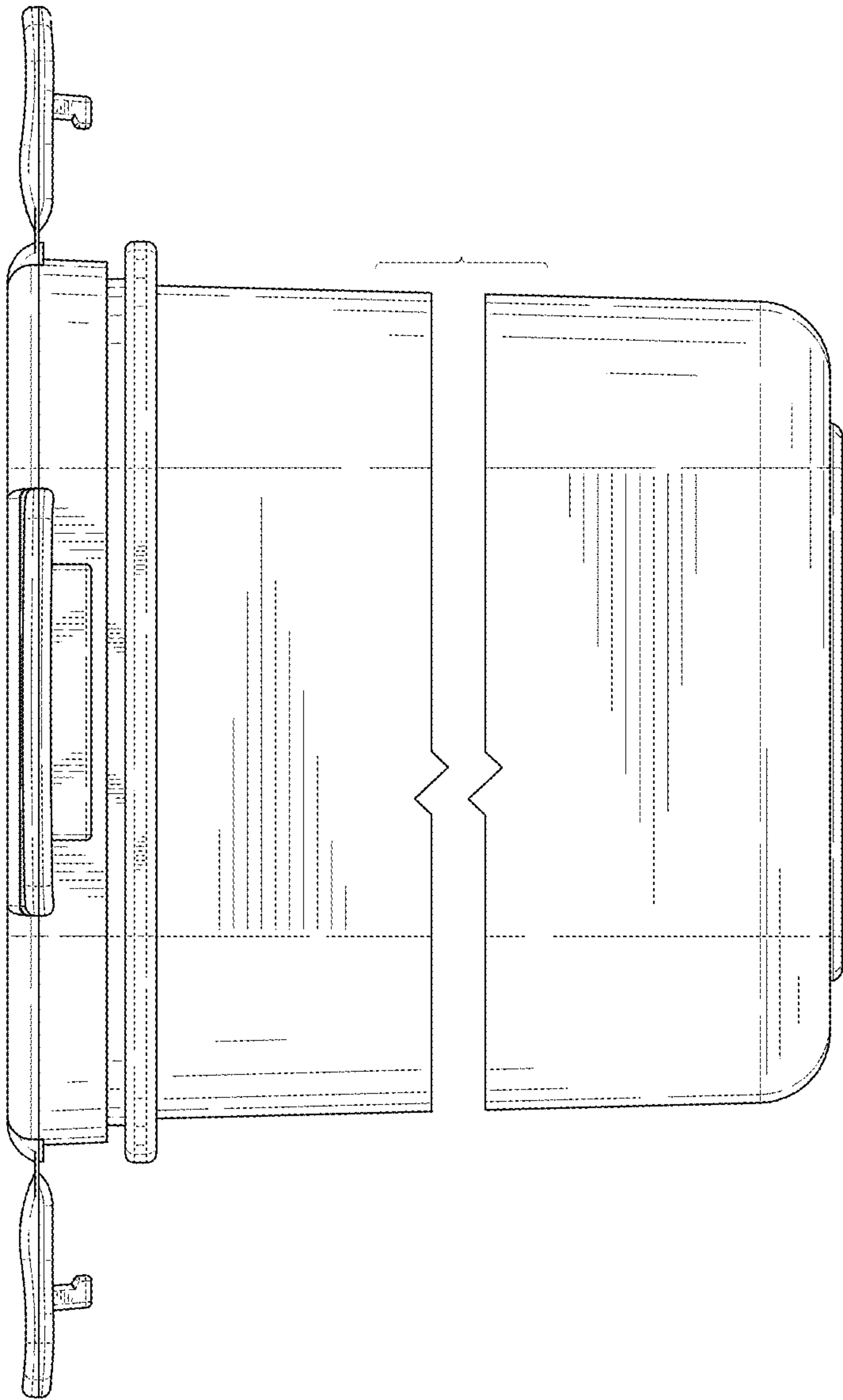


FIG. 5

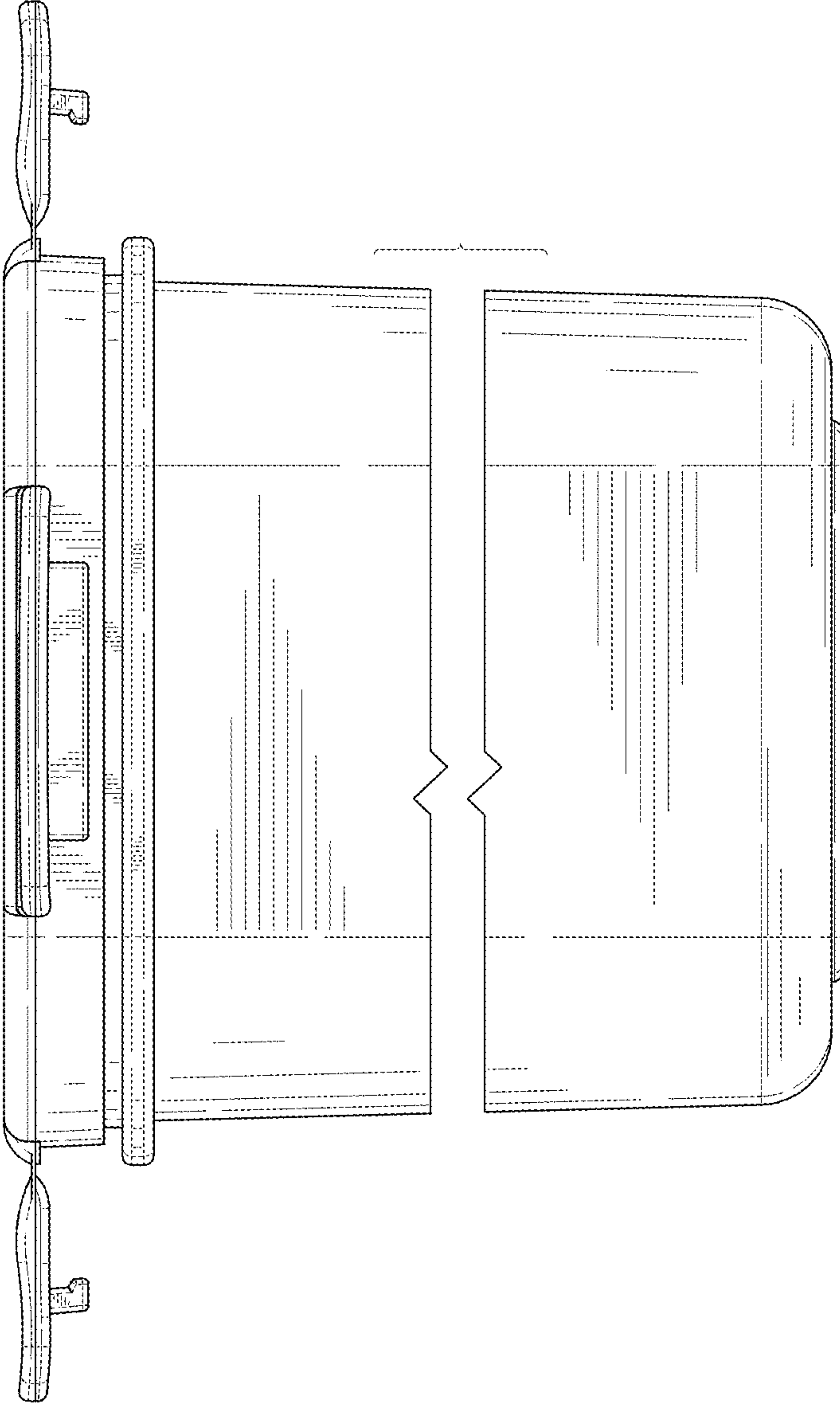


FIG. 6

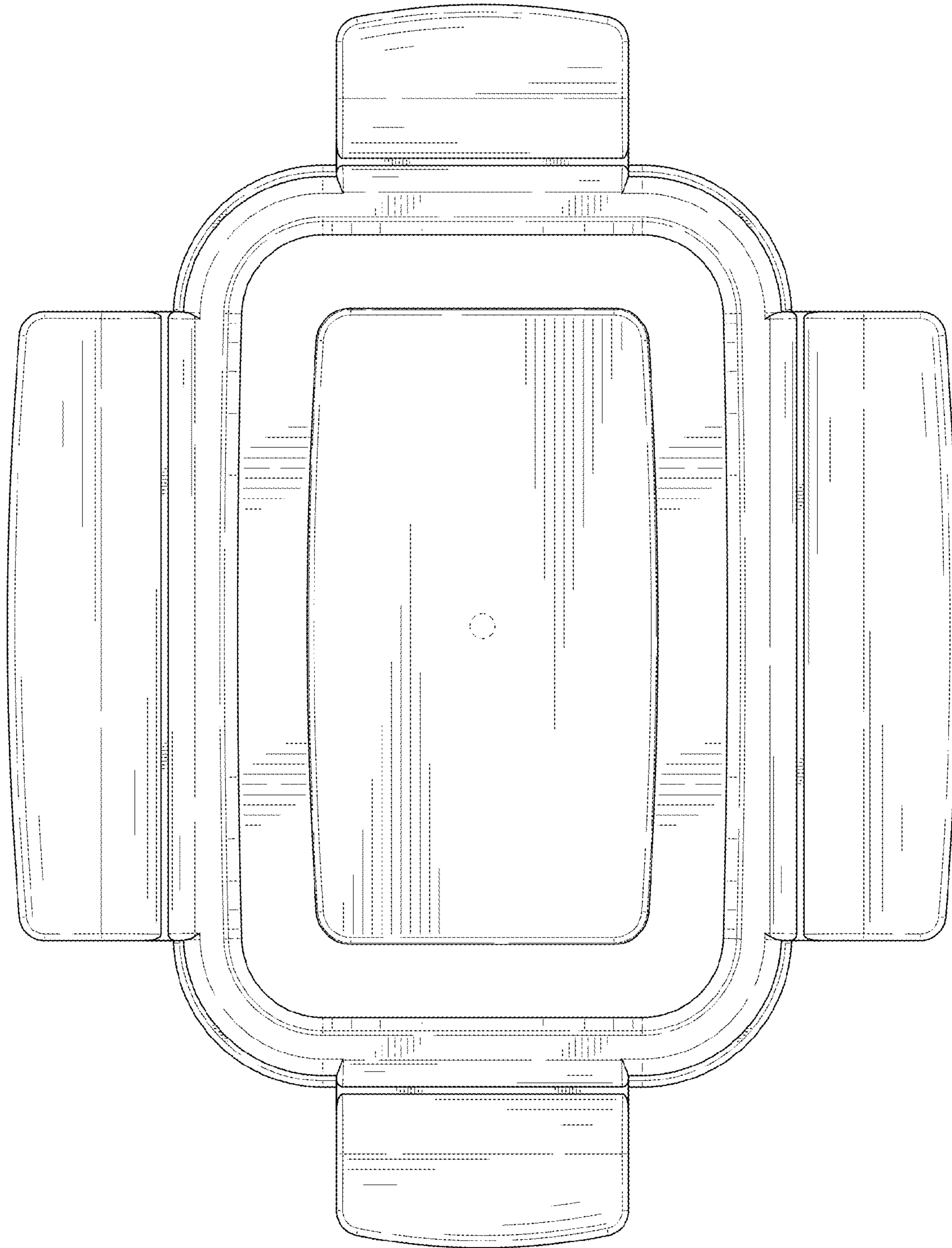


FIG. 7

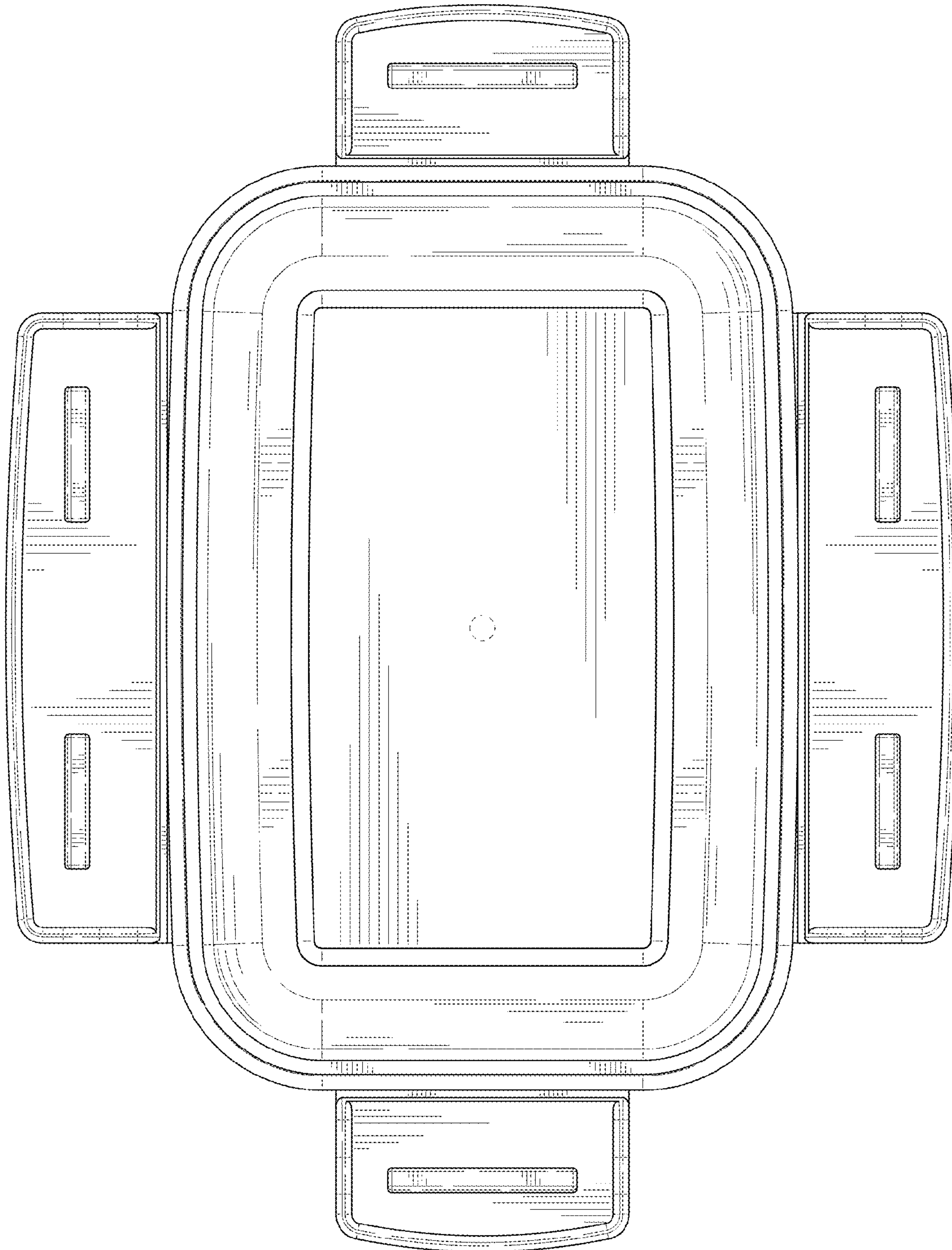


FIG. 8