



US00D972370S

(12) **United States Design Patent** (10) **Patent No.:** **US D972,370 S**
Hao (45) **Date of Patent:** **** Dec. 13, 2022**

(54) **PLATE**
(71) Applicant: **Wuqing Hao**, Shantou (CN)
(72) Inventor: **Wuqing Hao**, Shantou (CN)
(**) Term: **15 Years**
(21) Appl. No.: **29/833,731**
(22) Filed: **Apr. 6, 2022**
(51) **LOC (13) Cl.** **07-01**
(52) **U.S. Cl.**
USPC **D7/587**
(58) **Field of Classification Search**
USPC D7/501, 610, 550.1, 554.1, 558, 500,
D7/587; 108/142
CPC ... B65D 21/086; A47G 19/2283; A47G 19/03
See application file for complete search history.

(56) **References Cited**

U.S. PATENT DOCUMENTS

D105,357 S * 7/1937 Kupper D7/585
D137,118 S * 1/1944 Kleinberg D7/565
D156,860 S * 1/1950 Zaikaner D7/610
2,770,957 A * 11/1956 Bronson A47G 19/2283
D7/584
D328,837 S * 8/1992 Marsten D7/588
5,230,939 A * 7/1993 Baum A47G 19/03
428/167
5,439,128 A * 8/1995 Fishman B65D 21/086
206/218
D494,420 S * 8/2004 Wellner D7/587
D613,556 S * 4/2010 Sierra et al.
D694,586 S * 12/2013 Miller D7/587

D702,089 S * 4/2014 Seyers D7/587
D803,004 S * 11/2017 Haddad D7/584
D811,214 S * 2/2018 Wu D9/428
D821,152 S * 6/2018 Wu D7/584
D835,943 S 12/2018 Arseneau et al.
D837,603 S * 1/2019 Ribeiro-Ramalhosa D7/584
D859,929 S * 9/2019 De Oliveira D7/587
D937,634 S * 12/2021 Bontrager D7/584
2006/0124497 A1 * 6/2006 Thomas A47G 19/2283
206/502
2022/0250797 A1 * 8/2022 Tuan B65D 21/086

* cited by examiner

Primary Examiner — Cynthia R Underwood
(74) *Attorney, Agent, or Firm* — Jeenam Park

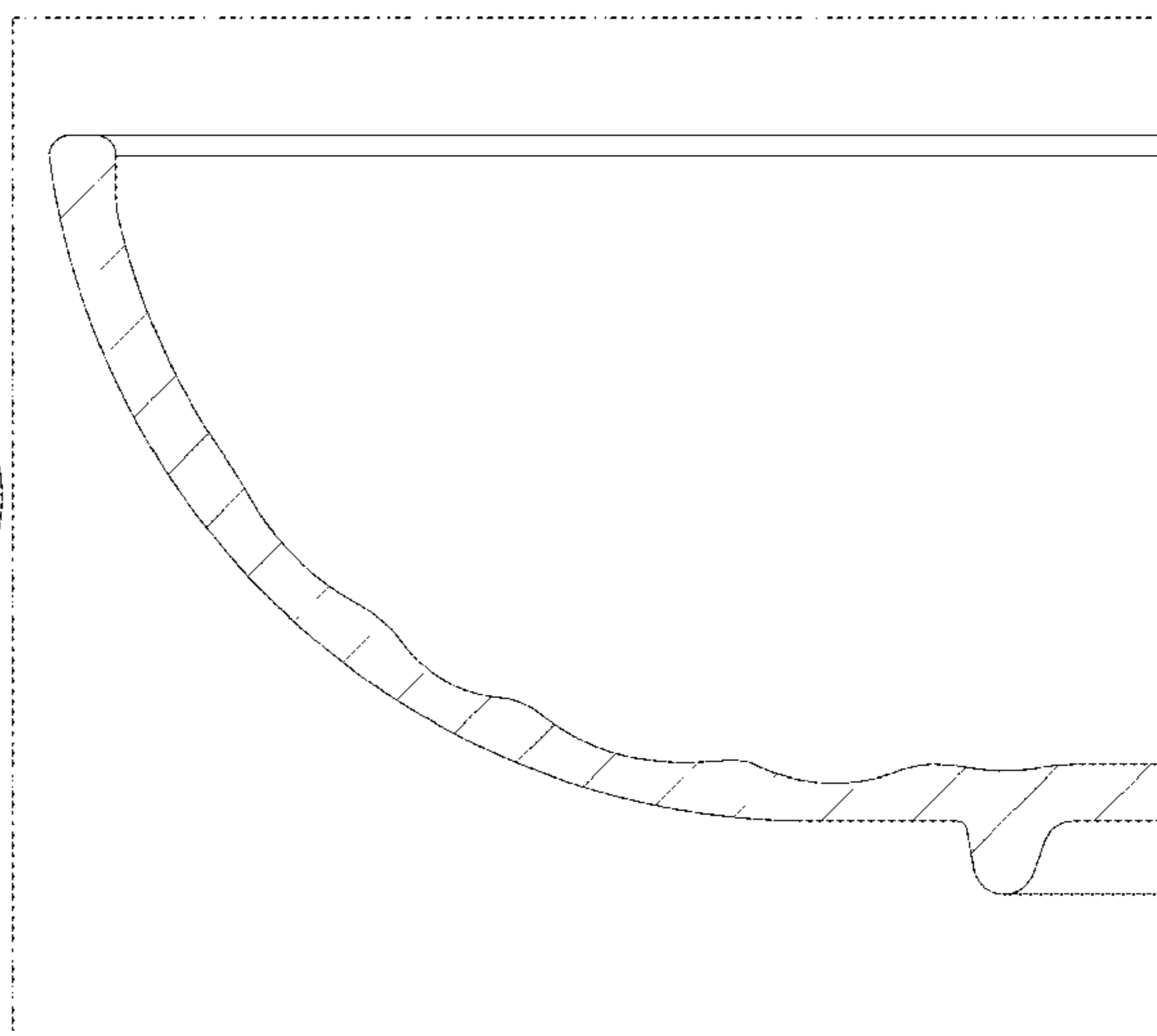
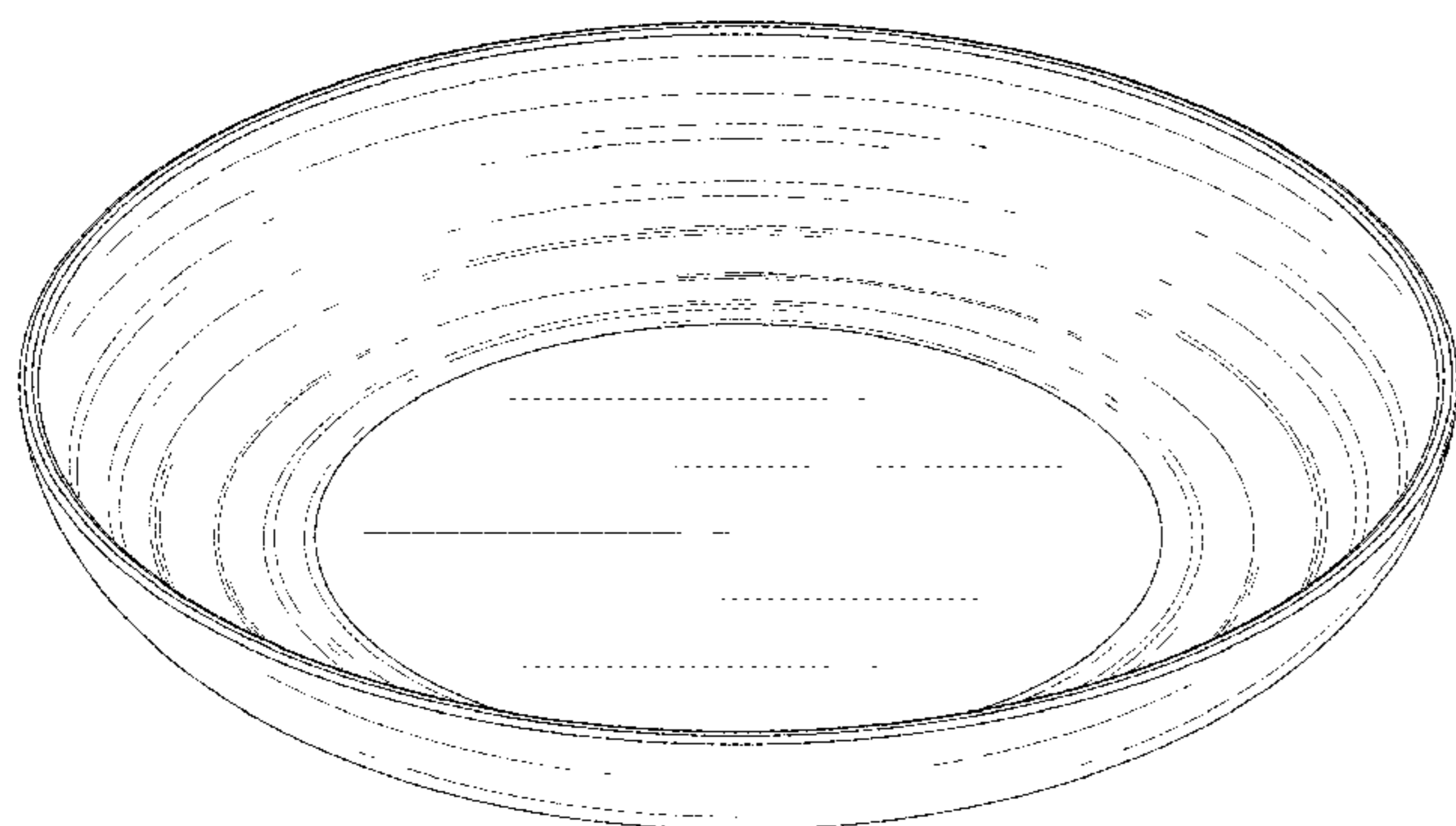
(57) **CLAIM**

The ornamental design for a plate, as shown and described.

DESCRIPTION

FIG. 1 is a perspective view of a plate, showing my new design;
FIG. 2 is another perspective view thereof;
FIG. 3 is a sectional view of FIG. 4 thereof;
FIG. 4 is a front view thereof;
FIG. 5 is a rear view thereof;
FIG. 6 is left side view thereof;
FIG. 7 is a right side view thereof;
FIG. 8 is a top plan view thereof;
FIG. 9 is a bottom plan view thereof; and,
FIG. 10 is an enlarged view of the portion marked "10" in FIG. 3.
The dot-dash broken lines depict the boundaries of the enlargements that form no part of the claimed design.

1 Claim, 10 Drawing Sheets



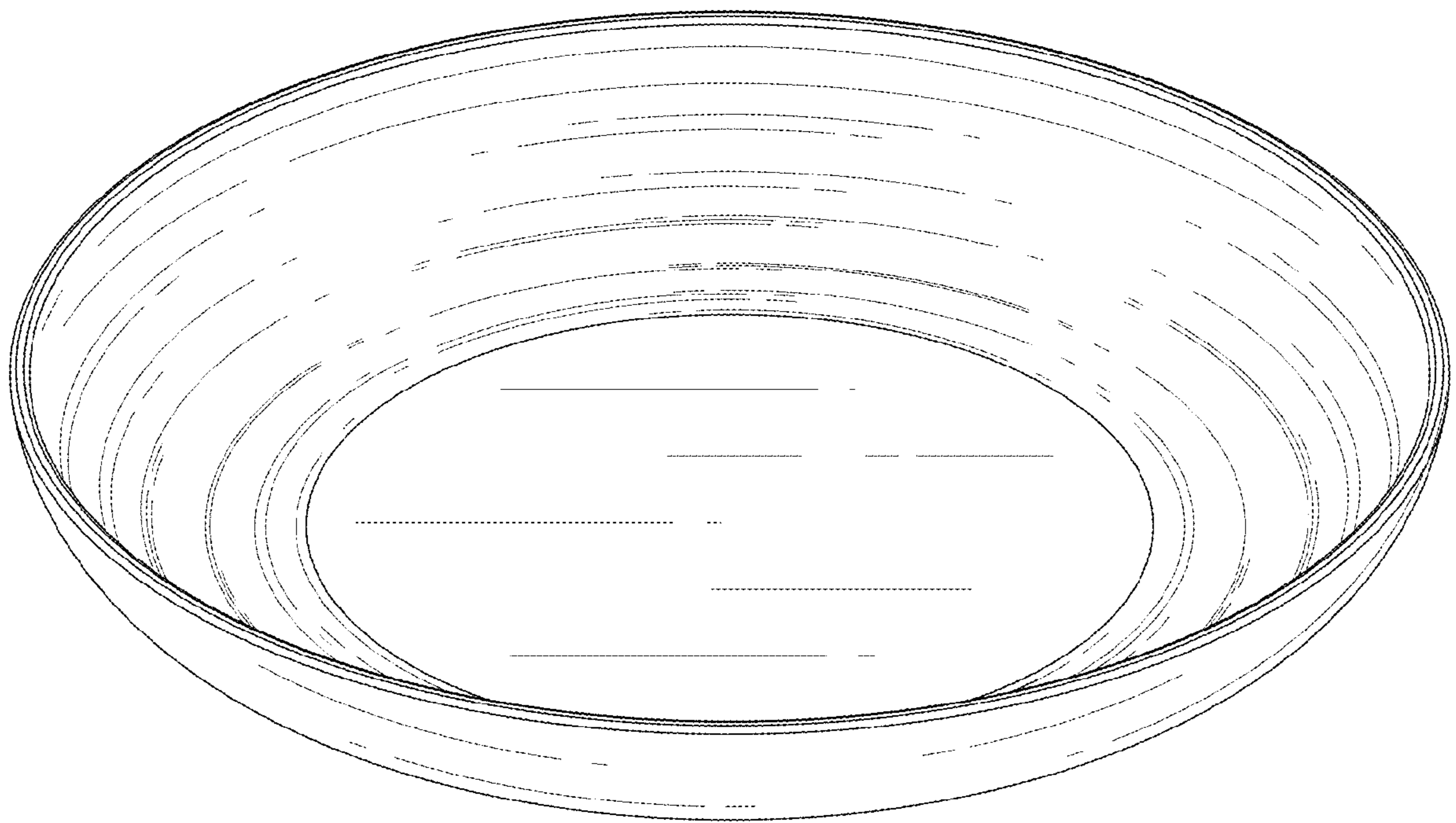


FIG. 1

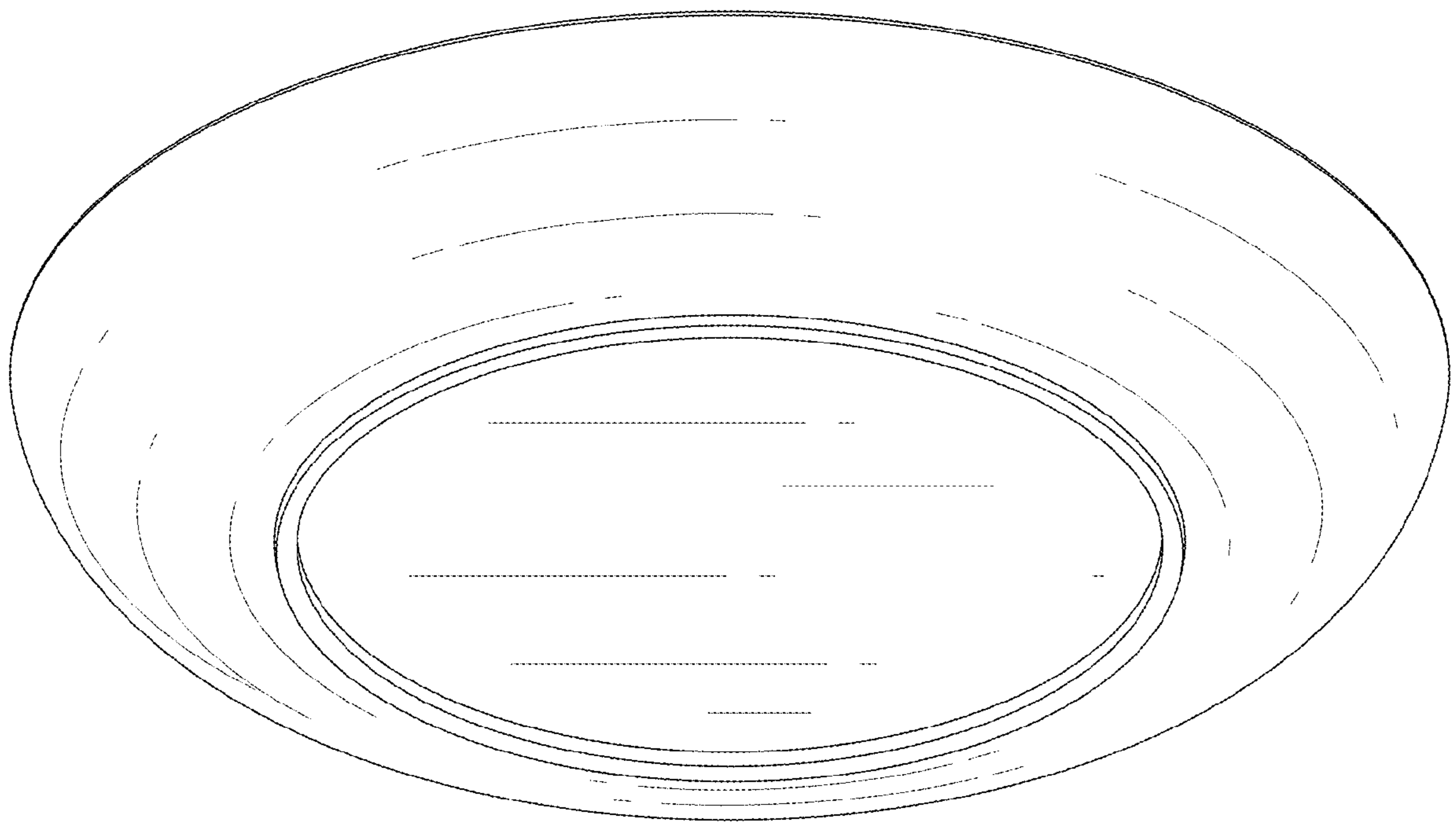


FIG. 2

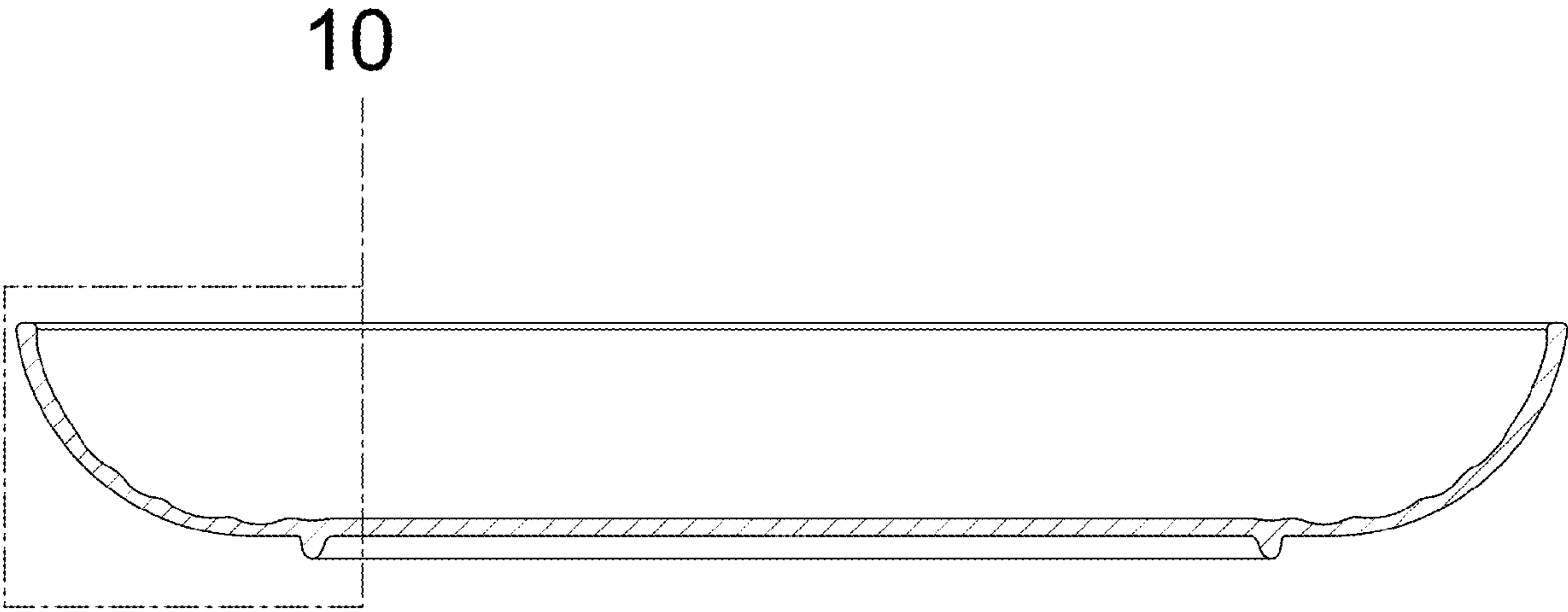


FIG. 3

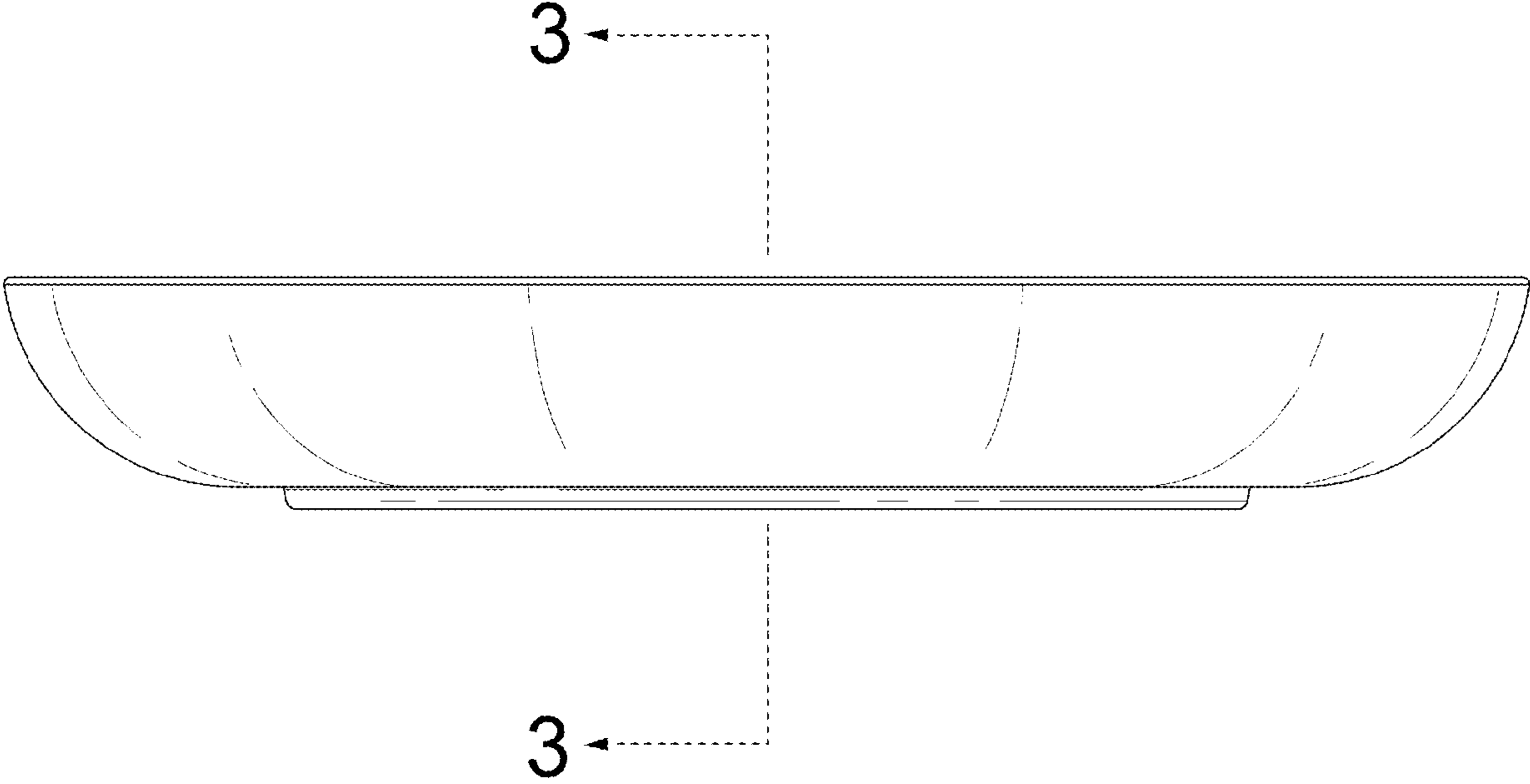


FIG. 4

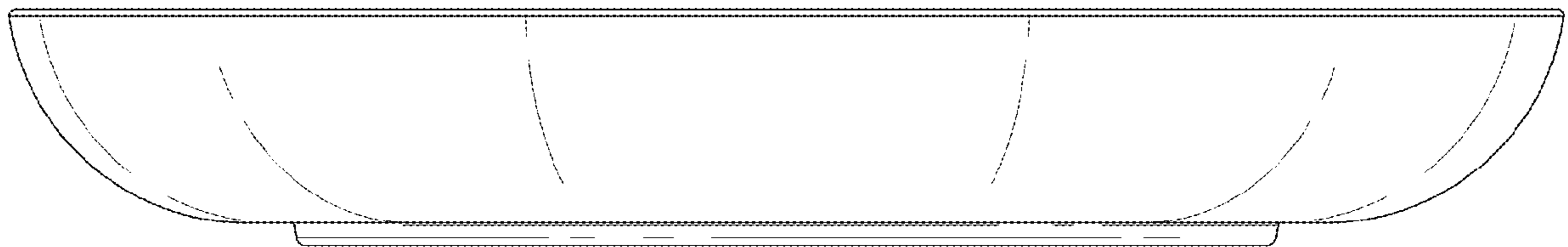


FIG. 5

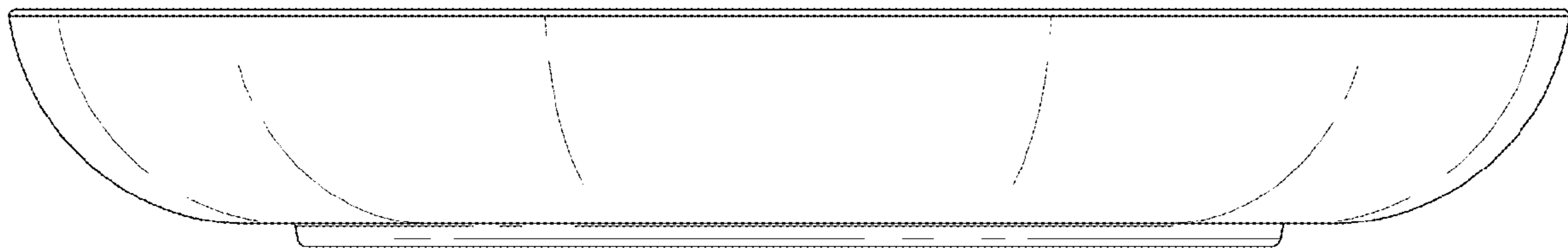


FIG. 6

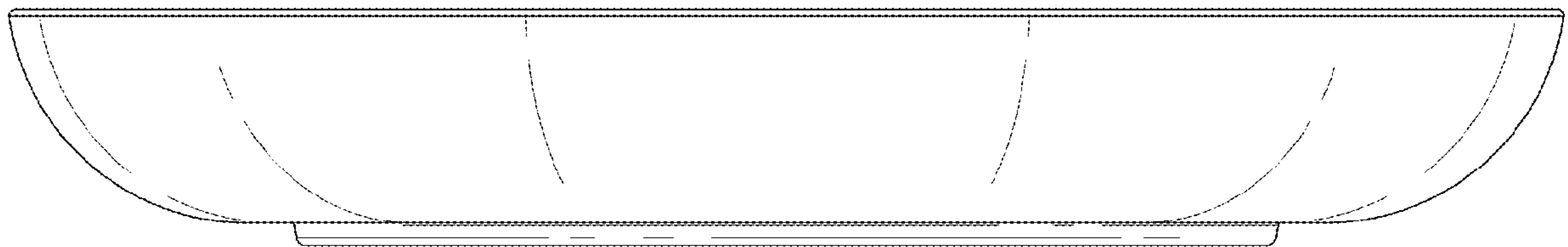


FIG. 7

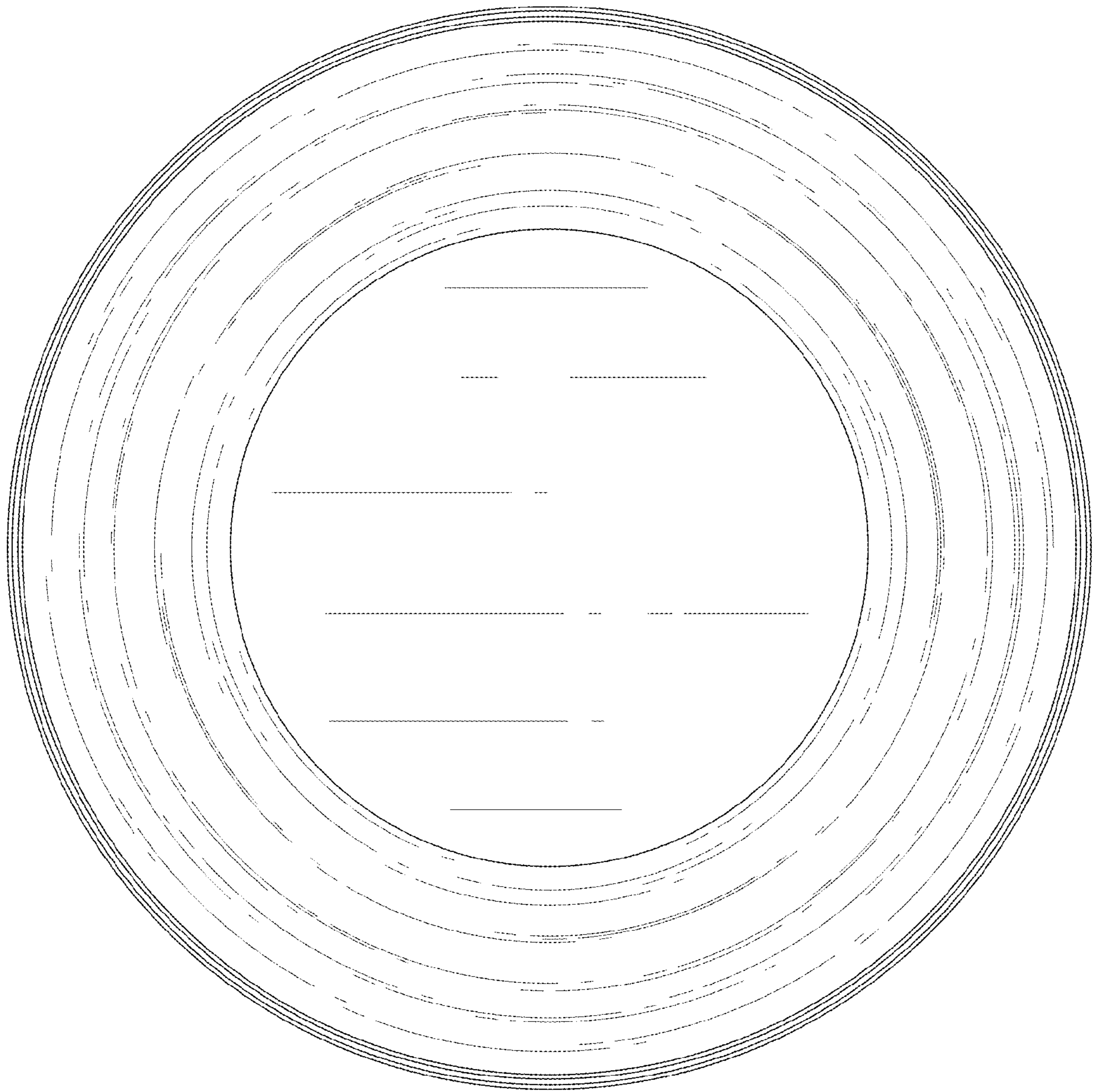


FIG. 8

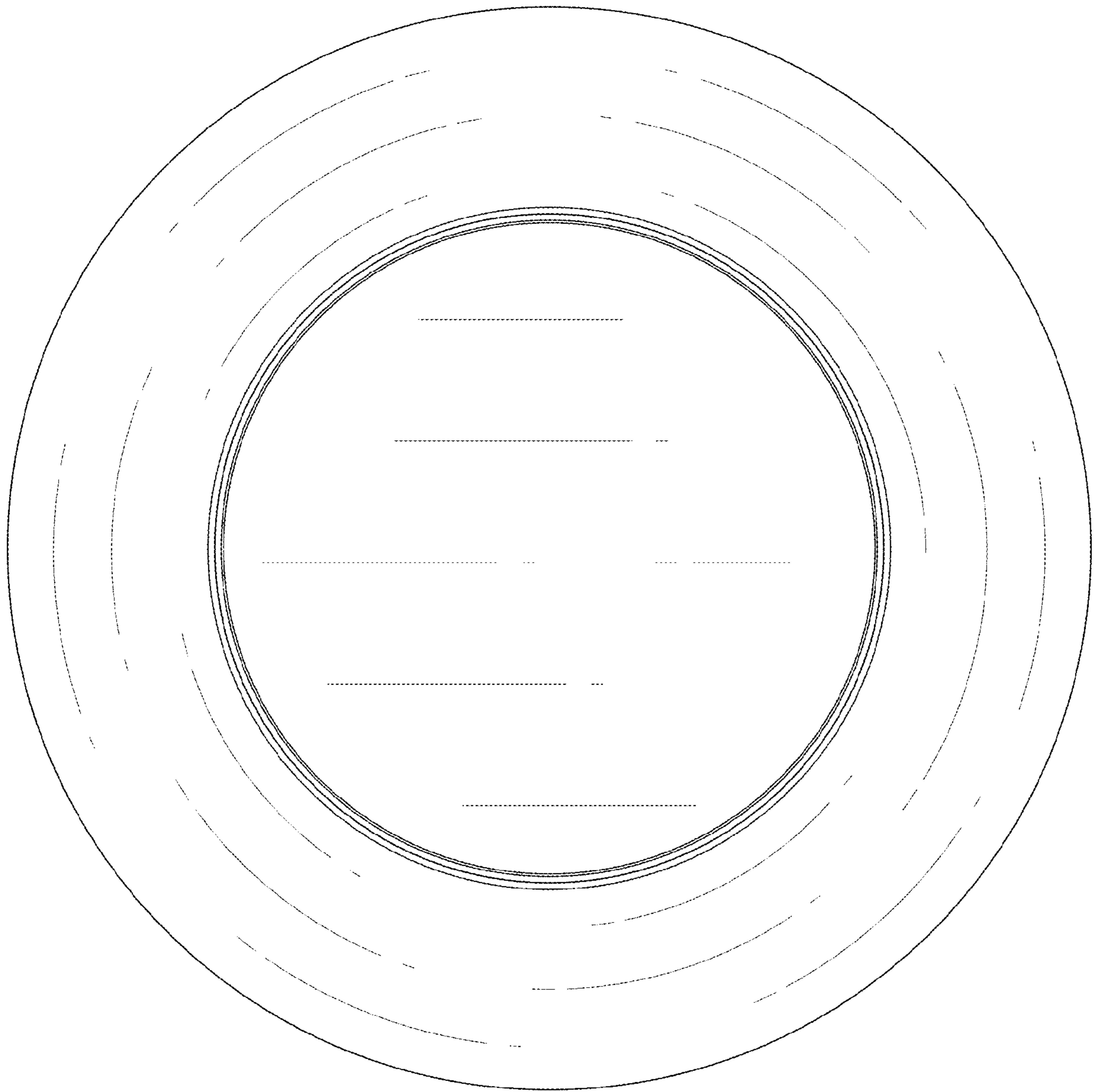


FIG. 9

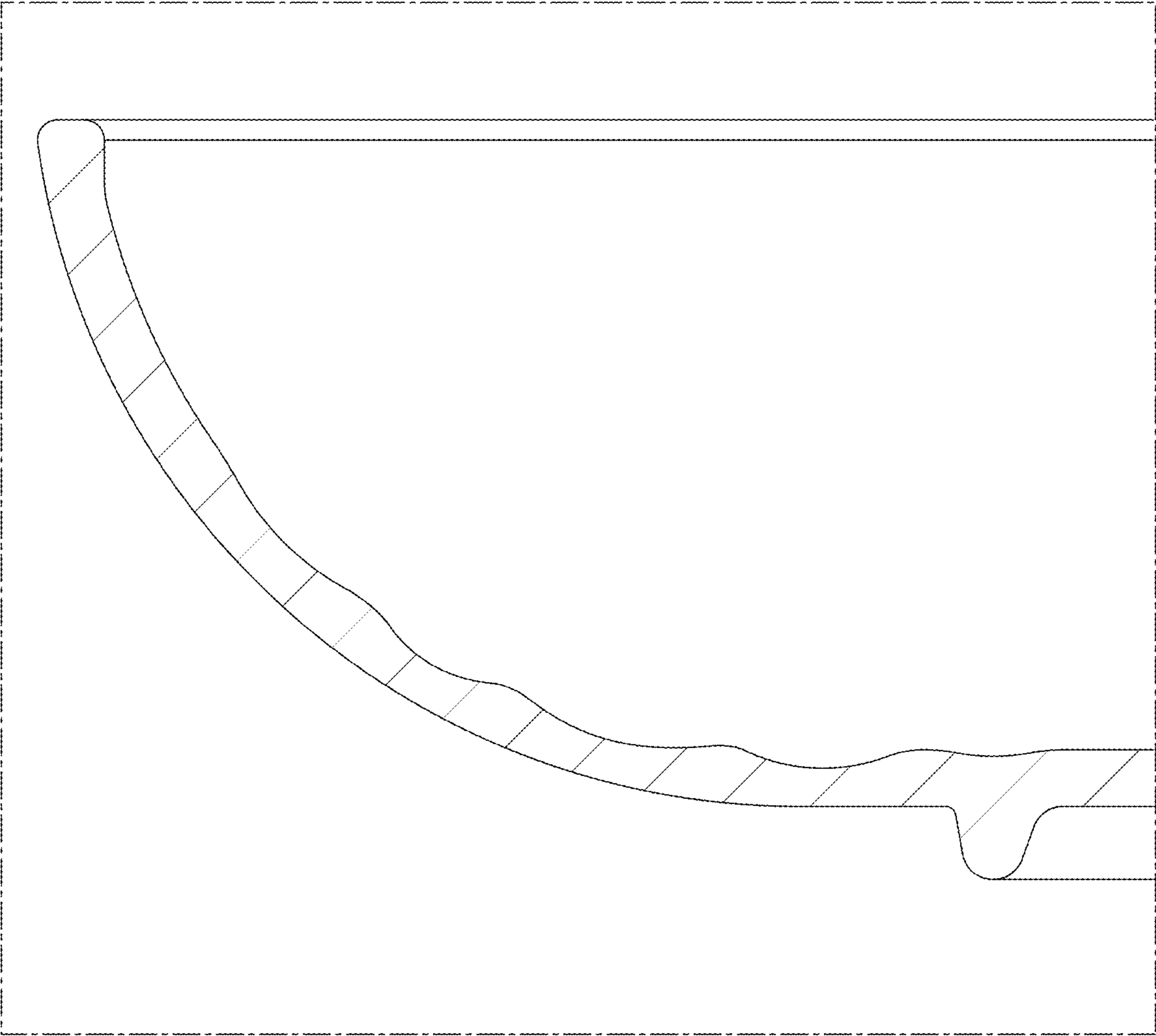


FIG. 10