



US00D972368S

(12) **United States Design Patent** (10) **Patent No.:** **US D972,368 S**
Cheng (45) **Date of Patent:** **** Dec. 13, 2022**

(54) **3-TIER SERVING PLATTER**
(71) Applicant: **Yong Cheng**, Jingzhou (CN)
(72) Inventor: **Yong Cheng**, Jingzhou (CN)
(**) Term: **15 Years**
(21) Appl. No.: **29/829,666**
(22) Filed: **Mar. 7, 2022**
(51) **LOC (13) Cl.** **07-01**
(52) **U.S. Cl.**
USPC **D7/552.1**
(58) **Field of Classification Search**
USPC D6/672, 678; D7/500, 550.1, 552.1, 566,
D7/601-602, 396.1, 397; D3/304
CPC A47J 47/16; A47G 19/02; A47G 23/06;
A47F 5/0018; A47F 5/0043; A47F 5/04;
B65D 1/00; B65D 1/34
See application file for complete search history.

D558,526 S * 1/2008 Molina D7/552.2
D575,590 S 8/2008 Ablo
D577,962 S * 10/2008 Bauer D7/552.2
D680,374 S 4/2013 Goodman et al.
D707,493 S * 6/2014 Frei D7/558
D786,016 S 5/2017 Goodman et al.
D793,130 S * 8/2017 Ellison D6/677.1
D801,091 S * 10/2017 Elledge D6/682
D854,250 S * 7/2019 Huang D28/73
D854,323 S * 7/2019 Calhoun D3/304

* cited by examiner

Primary Examiner — Kelley A Donnelly
(74) *Attorney, Agent, or Firm* — ScienBiziP, P.C.

(57) **CLAIM**

The ornamental design for a 3-tier serving platter, as shown and described.

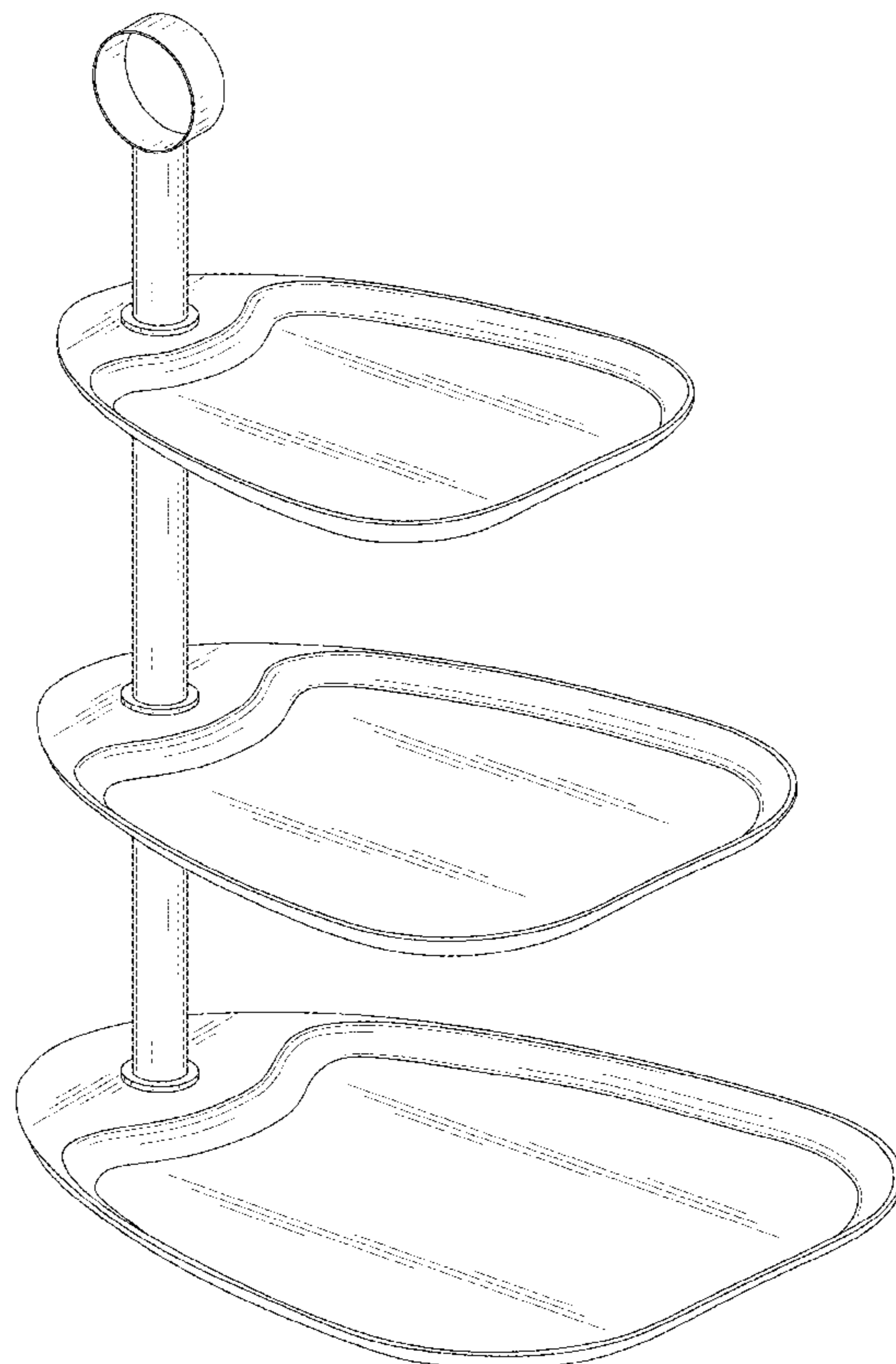
DESCRIPTION

FIG. 1 is a left, front, and top perspective view of a 3-tier serving platter, showing my design.
FIG. 2 is a front elevation view thereof.
FIG. 3 is a rear elevation view thereof.
FIG. 4 is a left side elevation view thereof.
FIG. 5 is a right side elevation view thereof.
FIG. 6 is a top plan view thereof; and,
FIG. 7 is a bottom plan view thereof.
The broken lines in the drawings depict portions of the 3-tier serving platter that form no part of the claimed design.

1 Claim, 7 Drawing Sheets

(56) **References Cited**
U.S. PATENT DOCUMENTS

D200,117 S * 1/1965 Kolarik D7/590
D201,900 S * 8/1965 Patton, Jr. D7/505
3,951,079 A * 4/1976 Tolleson A47F 5/02
108/94
D247,937 S * 5/1978 Dilyard D6/405
D250,372 S * 11/1978 Szabo D6/681.3
D262,274 S * 12/1981 Lahr D6/680
D413,046 S * 8/1999 Fritze D7/505



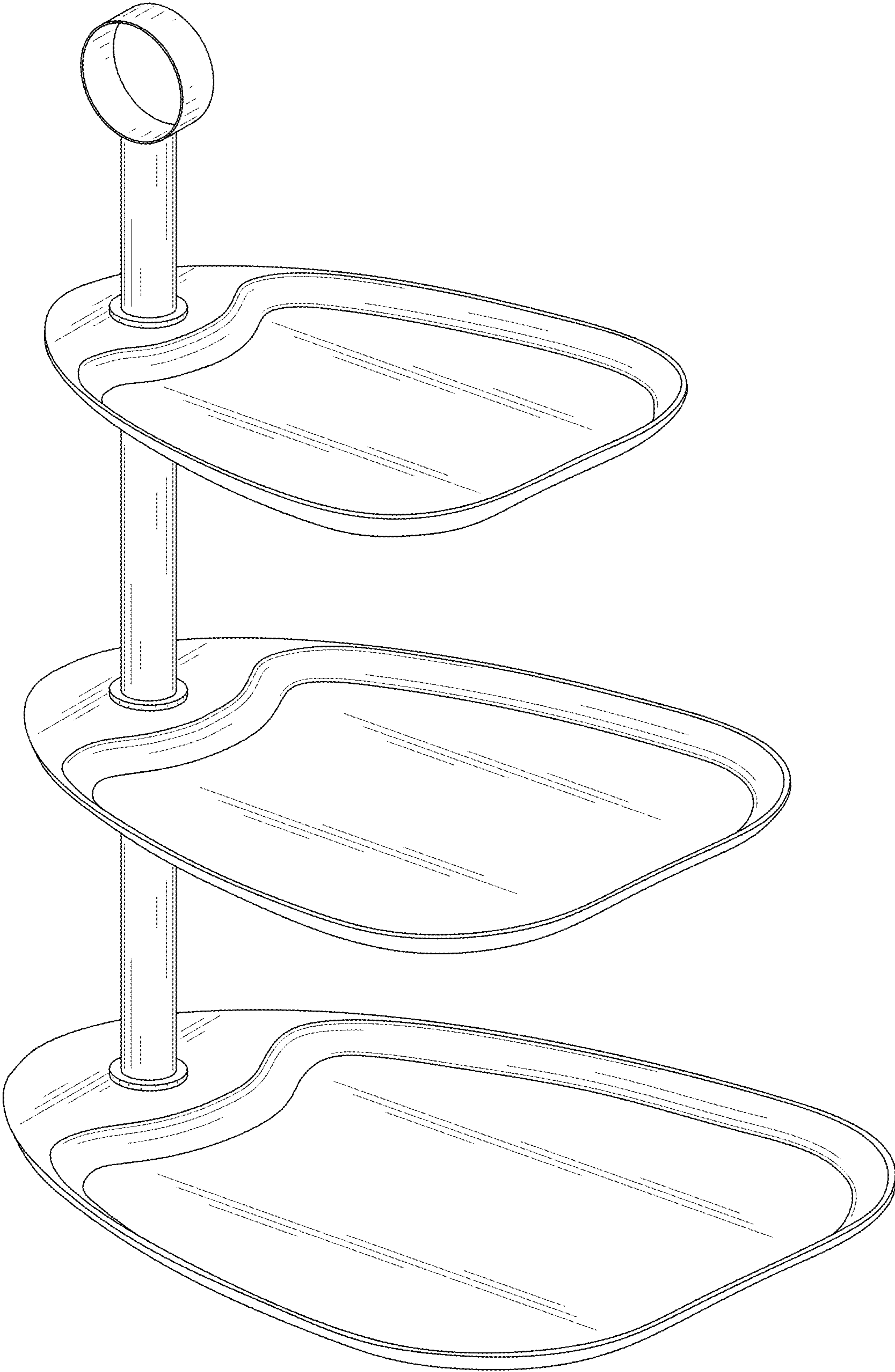


FIG. 1

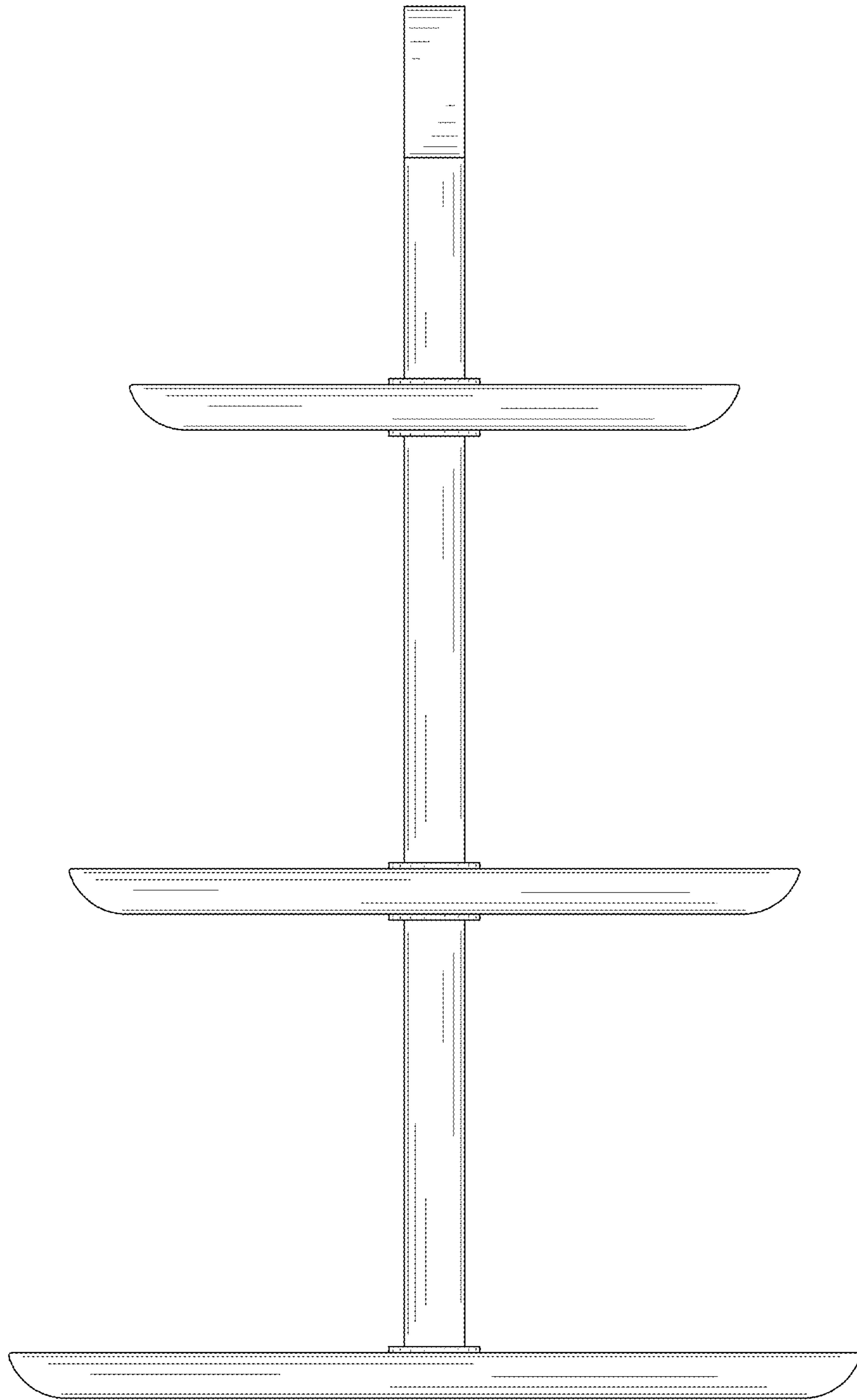


FIG. 2

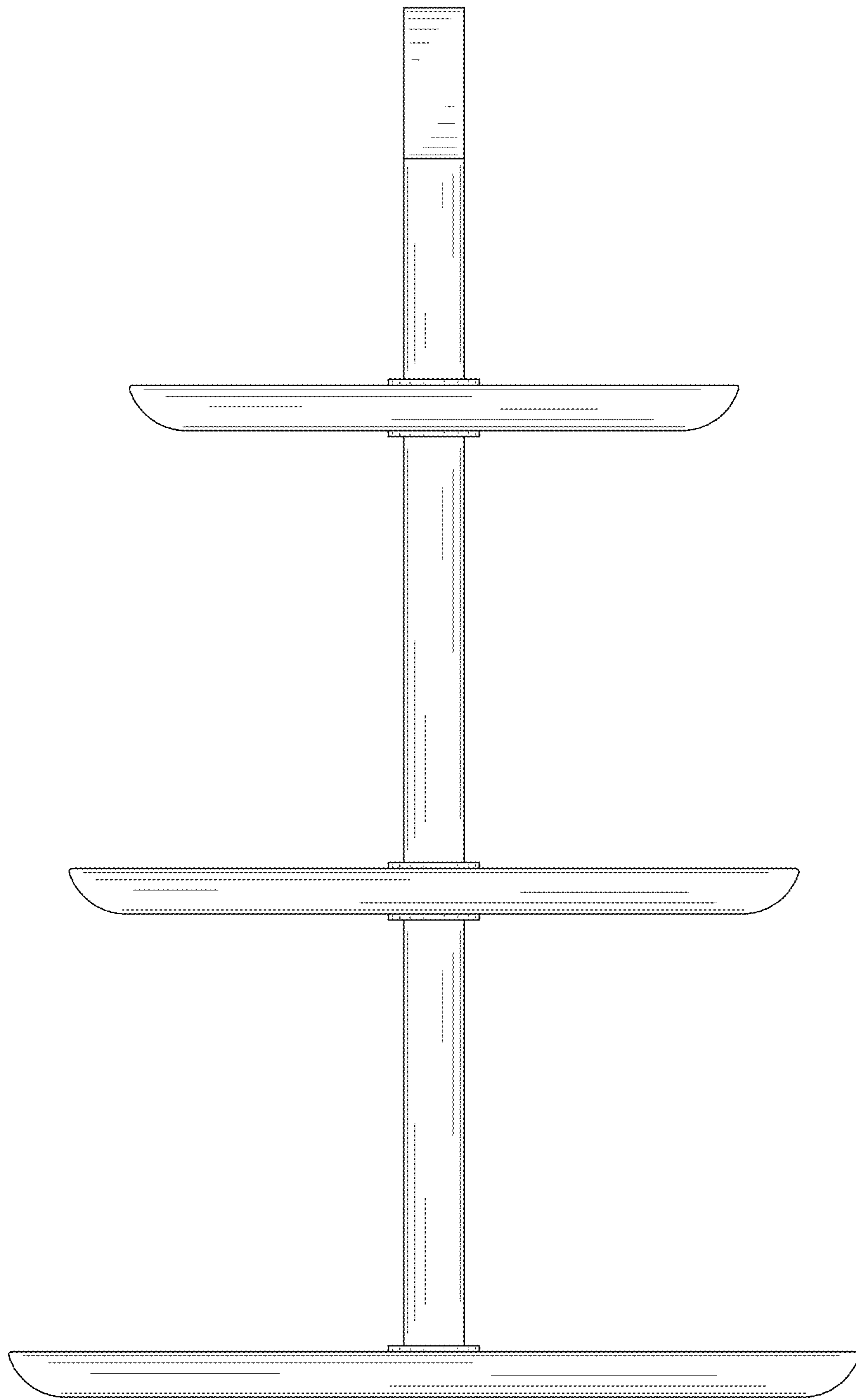


FIG. 3

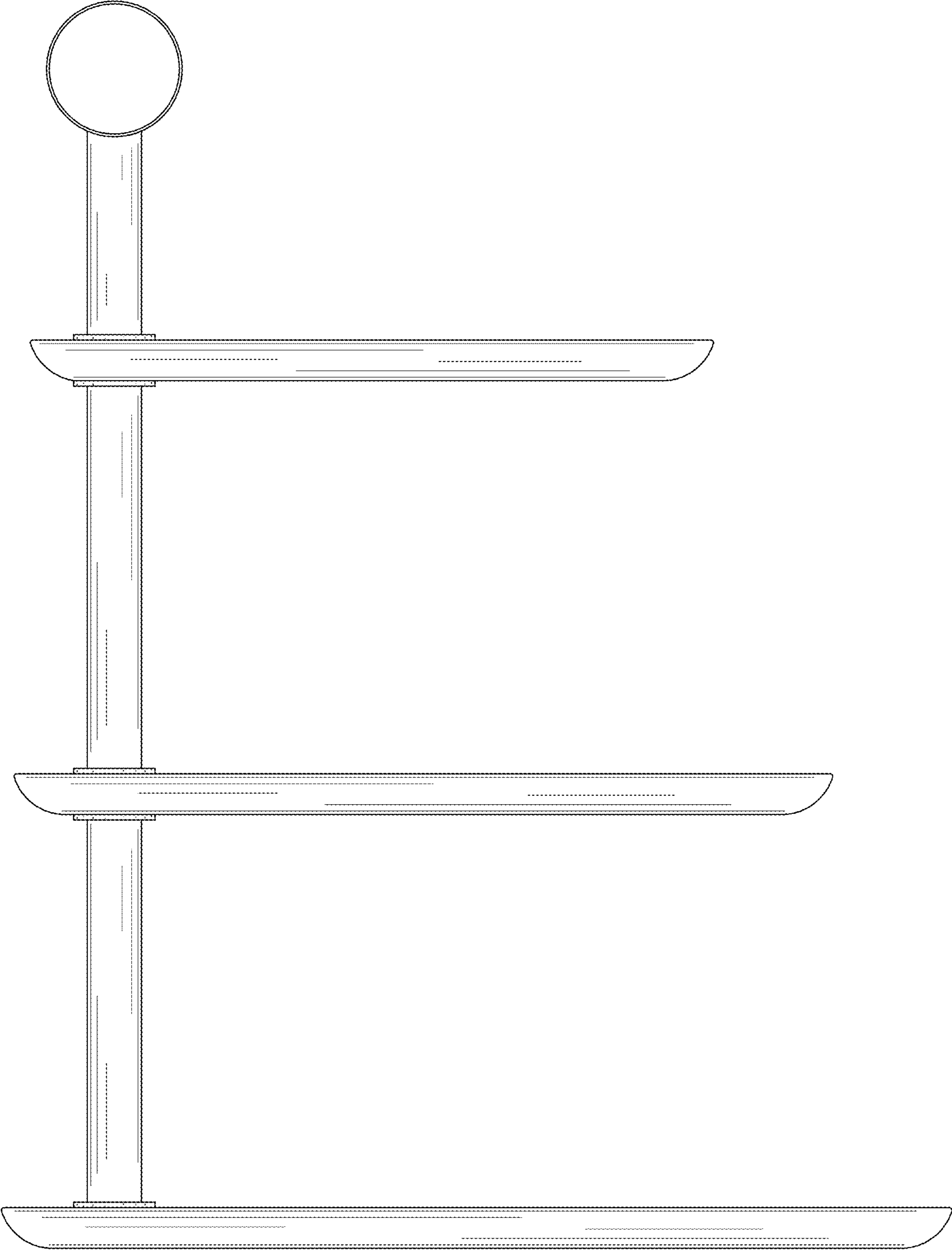


FIG. 4

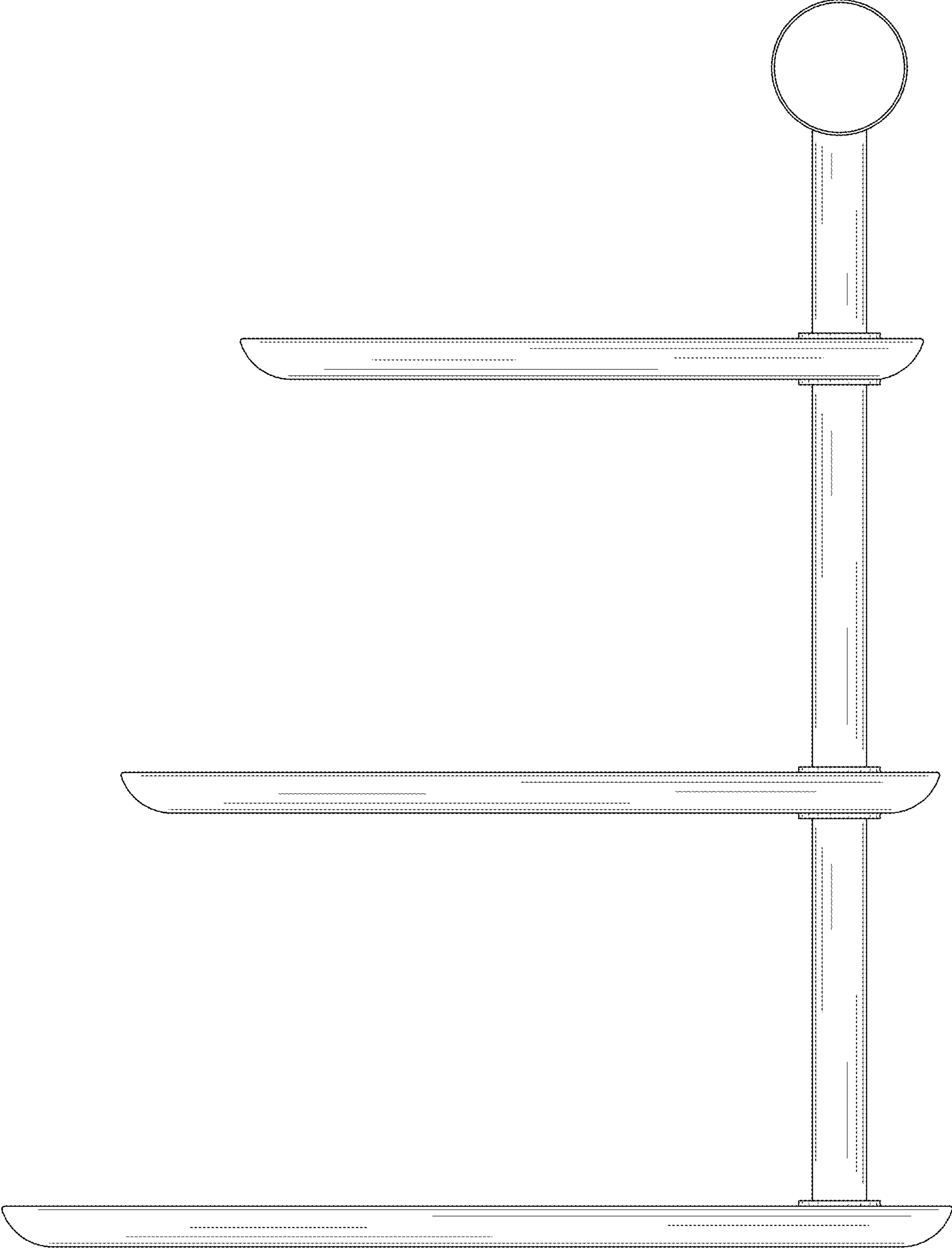


FIG. 5

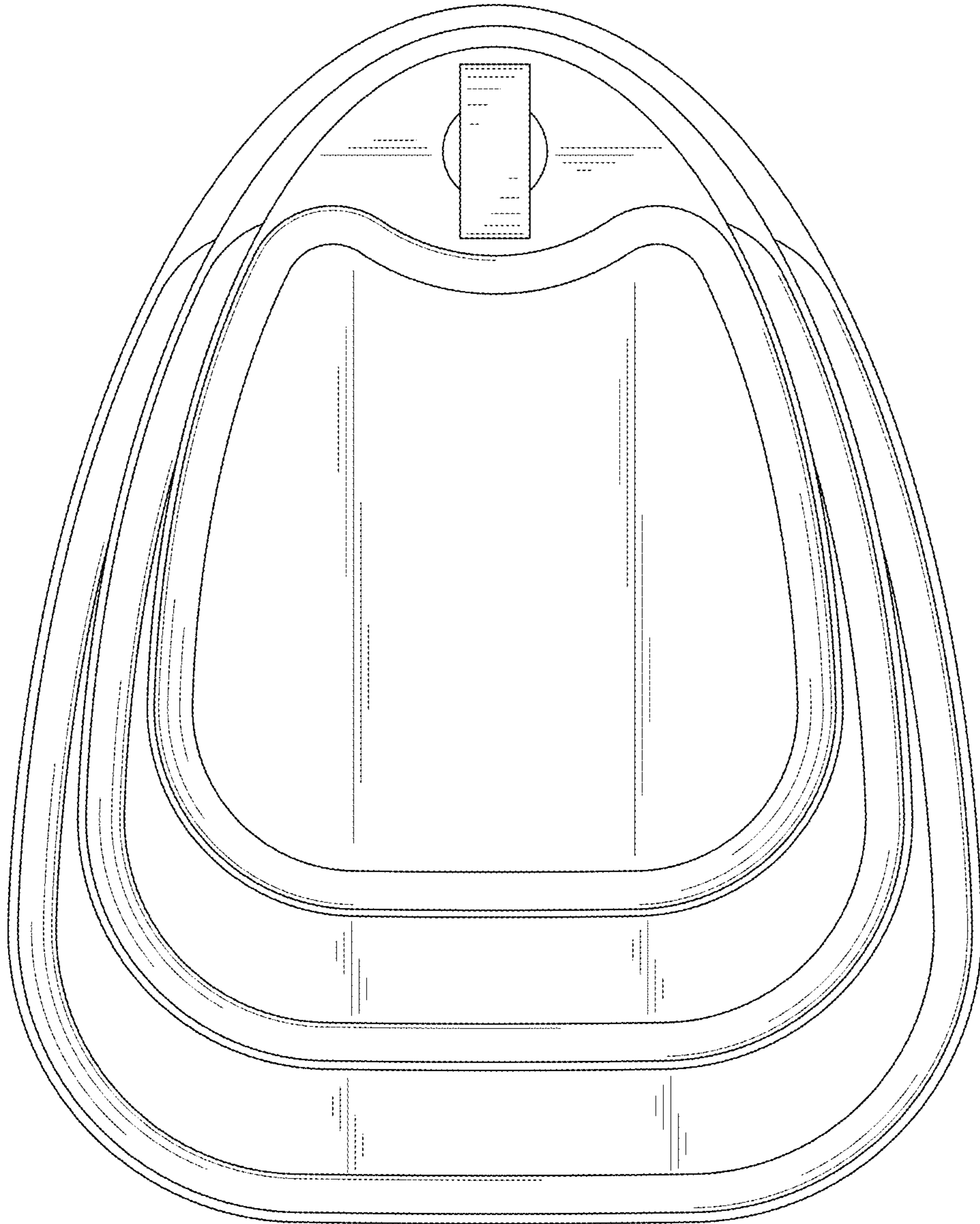


FIG. 6

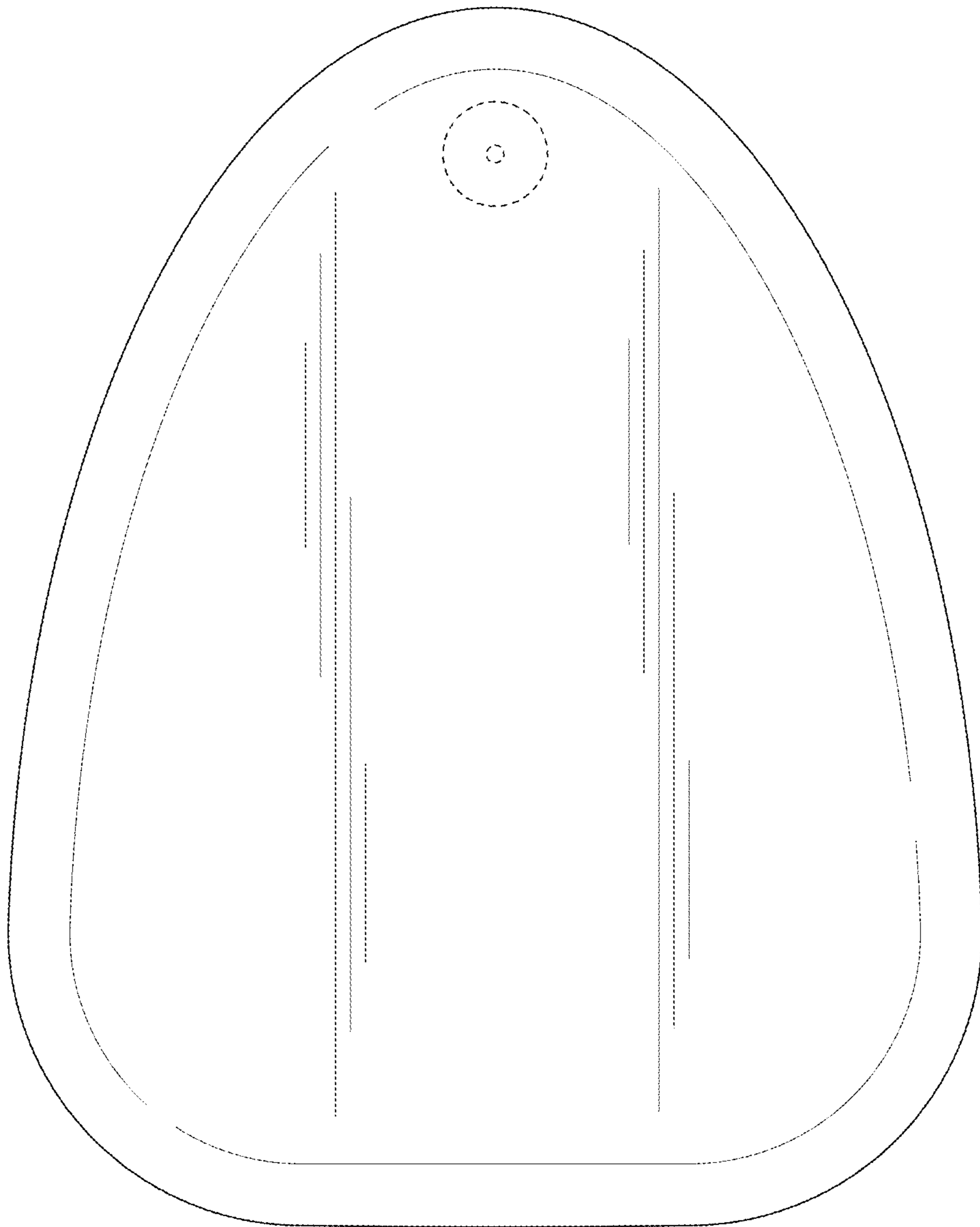


FIG. 7