



US00D972367S

(12) **United States Design Patent**
Ko et al.

(10) **Patent No.:** **US D972,367 S**

(45) **Date of Patent:** **** Dec. 13, 2022**

- (54) **CUP**
- (71) Applicant: **Huskee Tech Pty Ltd**, North Ryde (AU)
- (72) Inventors: **Edward Ko**, Redfern (AU); **Andrew Simpson**, Redfern (AU)
- (73) Assignee: **Huskee Tech Pty Ltd**, North Ryde (AU)

- 5,071,060 A * 12/1991 DeFelice B65D 1/265
220/675
- D338,302 S * 8/1993 Shafer D34/1
- D398,649 S * 9/1998 Ricci D34/1
- D454,304 S * 3/2002 Kim D9/429
- D573,390 S * 7/2008 Ablo D7/509
- D578,350 S * 10/2008 Eide D7/509
- D595,090 S * 6/2009 Benson D7/509
- D621,221 S * 8/2010 Henry D7/531
- D634,200 S * 3/2011 Taber D9/453
- D655,982 S * 3/2012 Liu D7/509

(Continued)

(**) Term: **15 Years**

(21) Appl. No.: **29/715,654**

(22) Filed: **Dec. 4, 2019**

Related U.S. Application Data

(62) Division of application No. 29/617,810, filed on Sep. 15, 2017, now Pat. No. Des. 871,849.

(30) **Foreign Application Priority Data**

Mar. 17, 2017 (AU) 201711573
 May 10, 2017 (CN) 201730168664.3

(51) **LOC (13) Cl.** **07-01**

(52) **U.S. Cl.**
USPC **D7/531; D7/523; D7/530**

(58) **Field of Classification Search**
USPC D7/507, 509, 510, 511, 523, 528, 529,
D7/530, 531, 397, 622, 533, 536, 500,
D7/608; D9/523, 552, 542, 569, 530,
D9/531, 570, 453, 500, 452, 444, 439,
D9/434, 435

CPC A47G 19/22; A47G 19/2272; B65D 1/265;
B65D 47/066

See application file for complete search history.

(56) **References Cited**

U.S. PATENT DOCUMENTS

- 3,558,001 A * 1/1971 Fritz B65D 15/18
220/614
- D248,358 S * 7/1978 Thomas D9/556

OTHER PUBLICATIONS

https://www.amazon.com/Sizikato-Classic-Vertical-Stripes-Drinking/dp/B09MVVF1T2/ref=sr_1_250?crid=3HS9C1AUR2W89&keywords=cup%2Bwith%2Bvertical%2Bstripes&qid=1650645798&prefix=cup%2Bwith%2Bvertical%2B%2Caps%2C139&sr=8-250&th=1 Dec. 2, 2021 (Year: 2021).*

(Continued)

Primary Examiner — Jae Liang
(74) *Attorney, Agent, or Firm* — JCIP; Joseph G. Chu; Jeremy I. Maynard

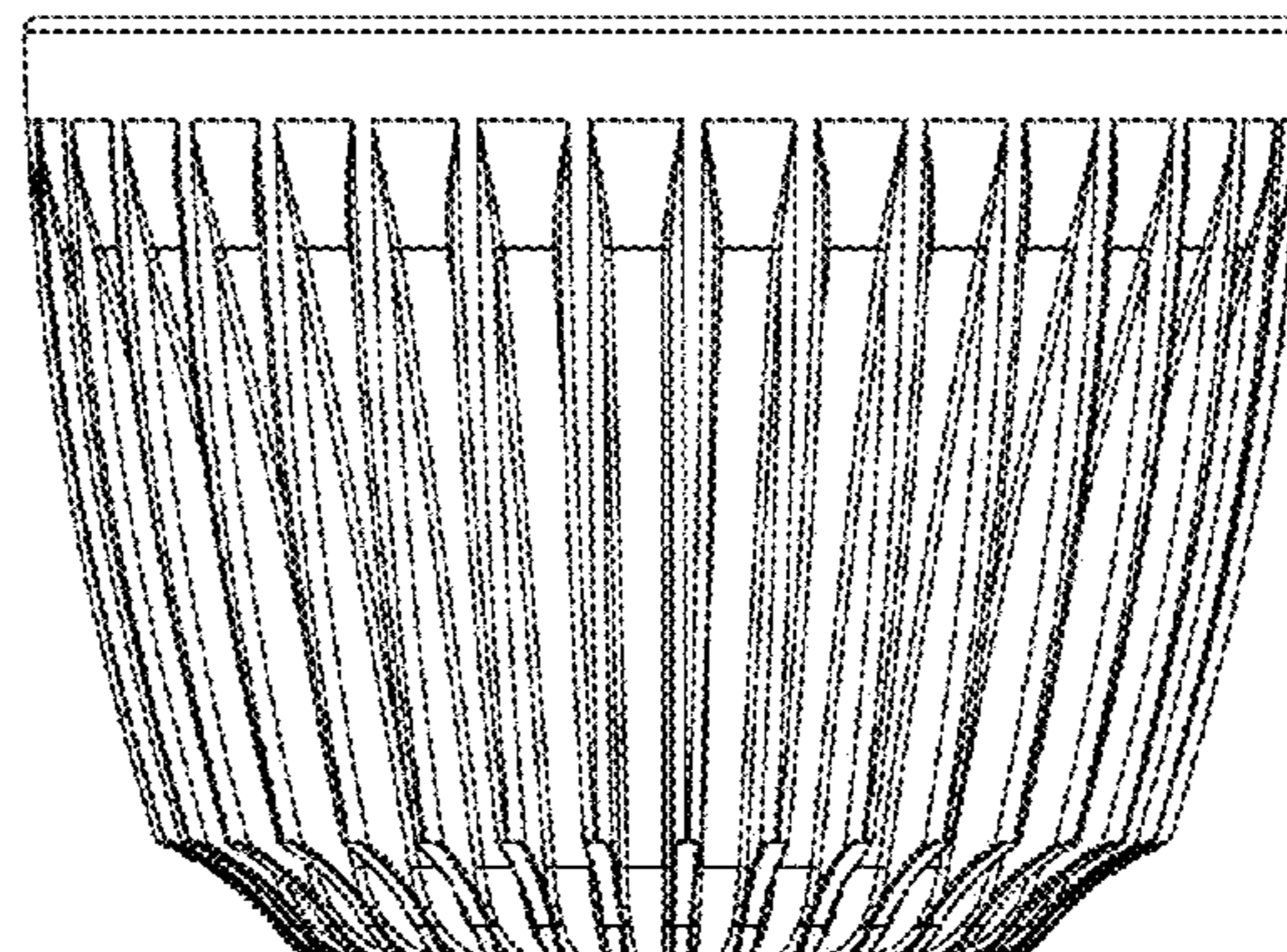
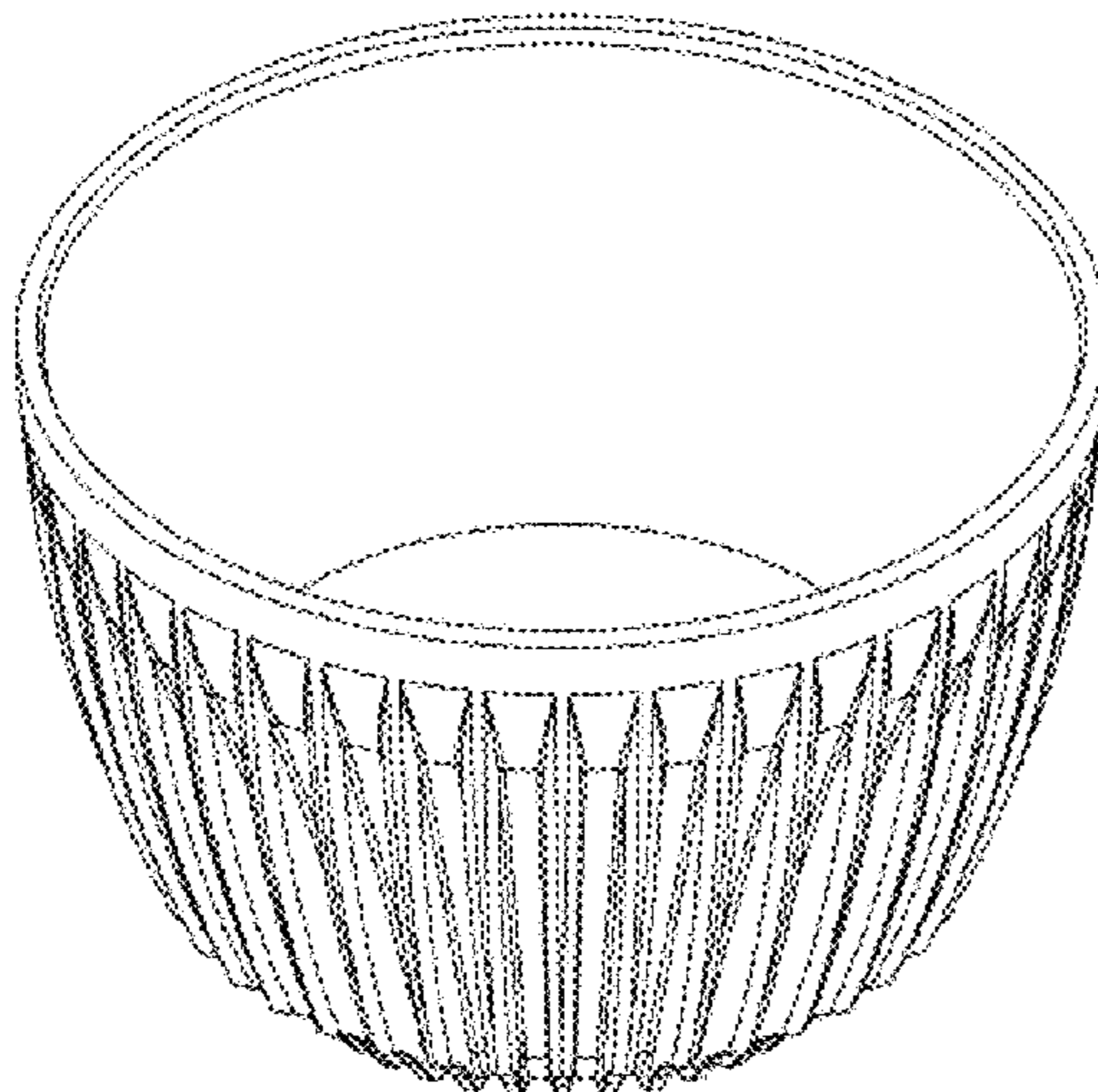
(57) **CLAIM**

The ornamental design for a cup, as shown and described.

DESCRIPTION

FIG. 1 is a top perspective view of a cup;
FIG. 2 is a bottom perspective view of the cup;
FIG. 3 is a cross-sectional view of the cup showing a section taken along line 3-3 of FIG. 6;
FIG. 4 is a side view of the cup;
FIG. 5 is an enlarged top view of the cup; and,
FIG. 6 is a bottom view of the cup.
Broken lines herein are used to indicate the plane of a sectional view and do not form any part of the claimed design.

1 Claim, 6 Drawing Sheets



(56)

References Cited

U.S. PATENT DOCUMENTS

D718,577 S	*	12/2014	Gonzales	D7/531
D752,972 S	*	4/2016	Goldstein	D9/429
D779,275 S	*	2/2017	Crosby	D9/429
D782,150 S	*	3/2017	Briganti	D1/122
D811,821 S	*	3/2018	Arora	D7/509
D815,911 S	*	4/2018	Prinz	D7/529
D819,405 S	*	6/2018	Li	D7/531
D836,442 S	*	12/2018	Wood	D9/453
D838,171 S	*	1/2019	Wood	D9/453
D852,583 S	*	7/2019	Tomalia	D7/530
D871,849 S	*	1/2020	Ko	D7/530
D871,850 S	*	1/2020	Wisniewski	D7/531
D885,842 S	*	6/2020	Tomalia	D7/530
2001/0050287 A1	*	12/2001	Namba	B65D 1/265 220/651
2016/0137332 A1	*	5/2016	Crosby	B65D 1/265 206/505

OTHER PUBLICATIONS

https://www.amazon.com/dp/B01MRVJUS5/ref=cm_sw_em_r_mt_dp_6GAER62Y49S4CM1TS3CS?_encoding=UTF8&psc=1 Dec. 3, 2016 (Year: 2016).*
 Patent Evaluation Report for Chinese Design Application No. ZL201730168664.3.

* cited by examiner

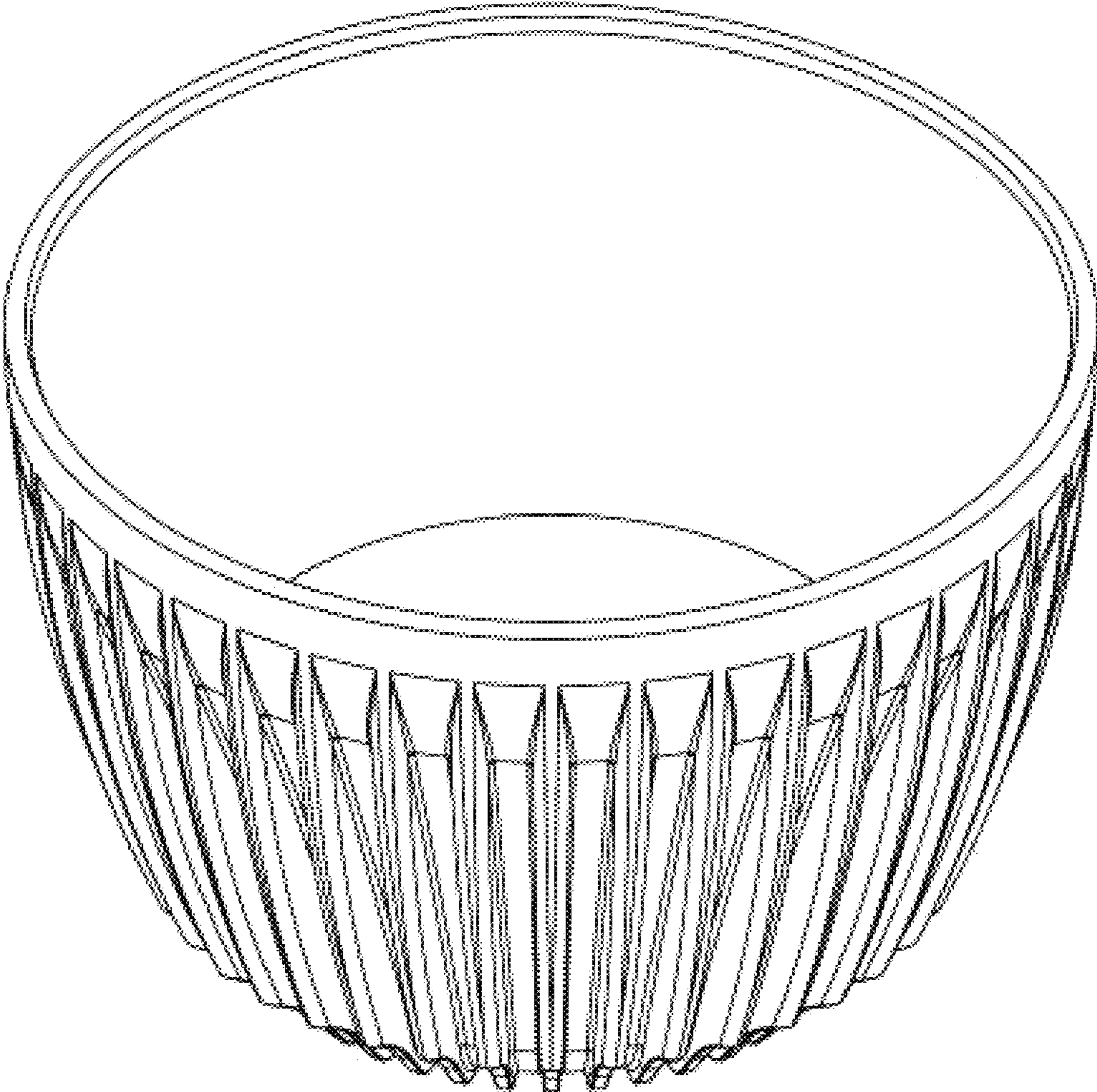


FIG. 1

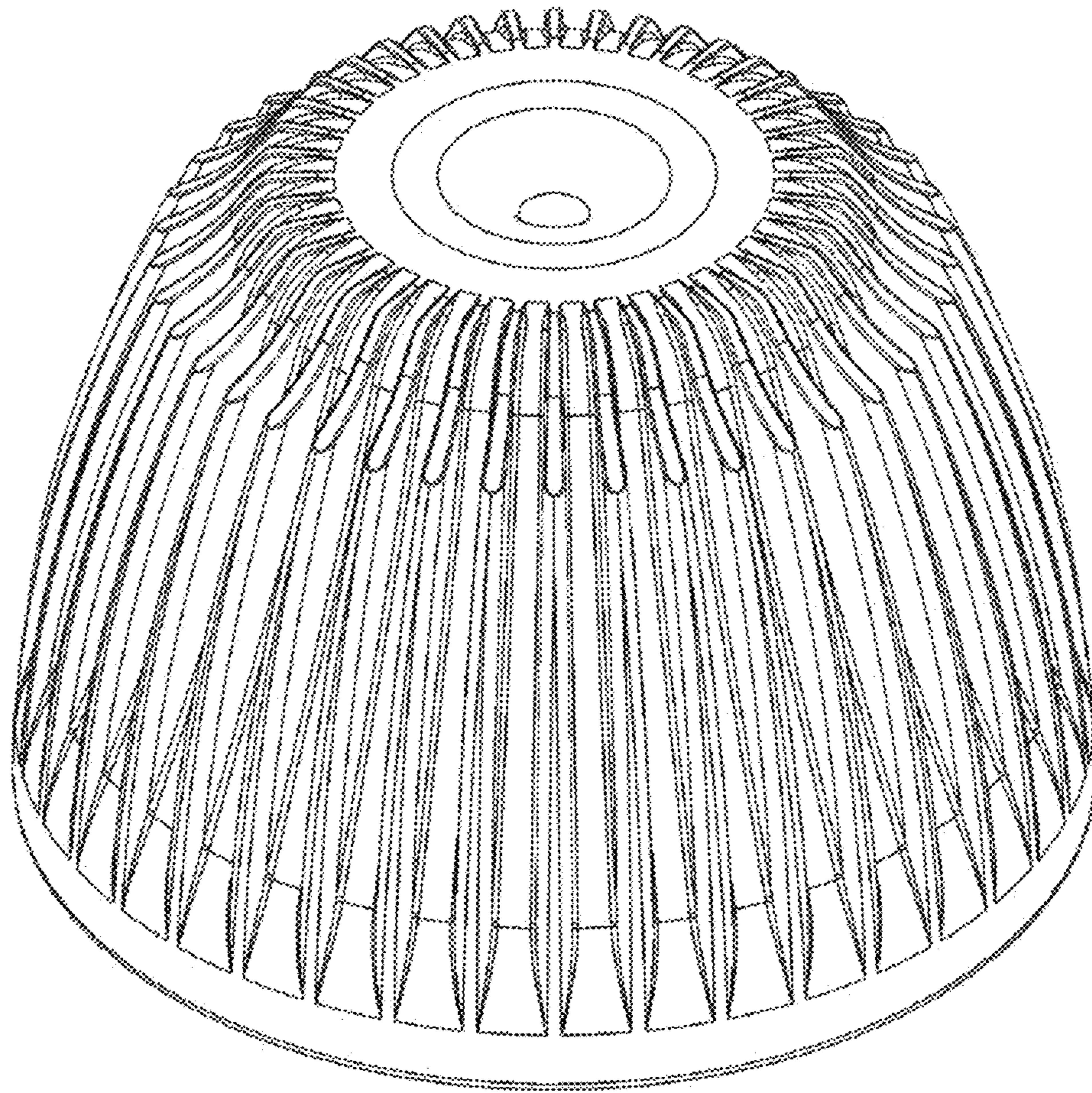


FIG. 2

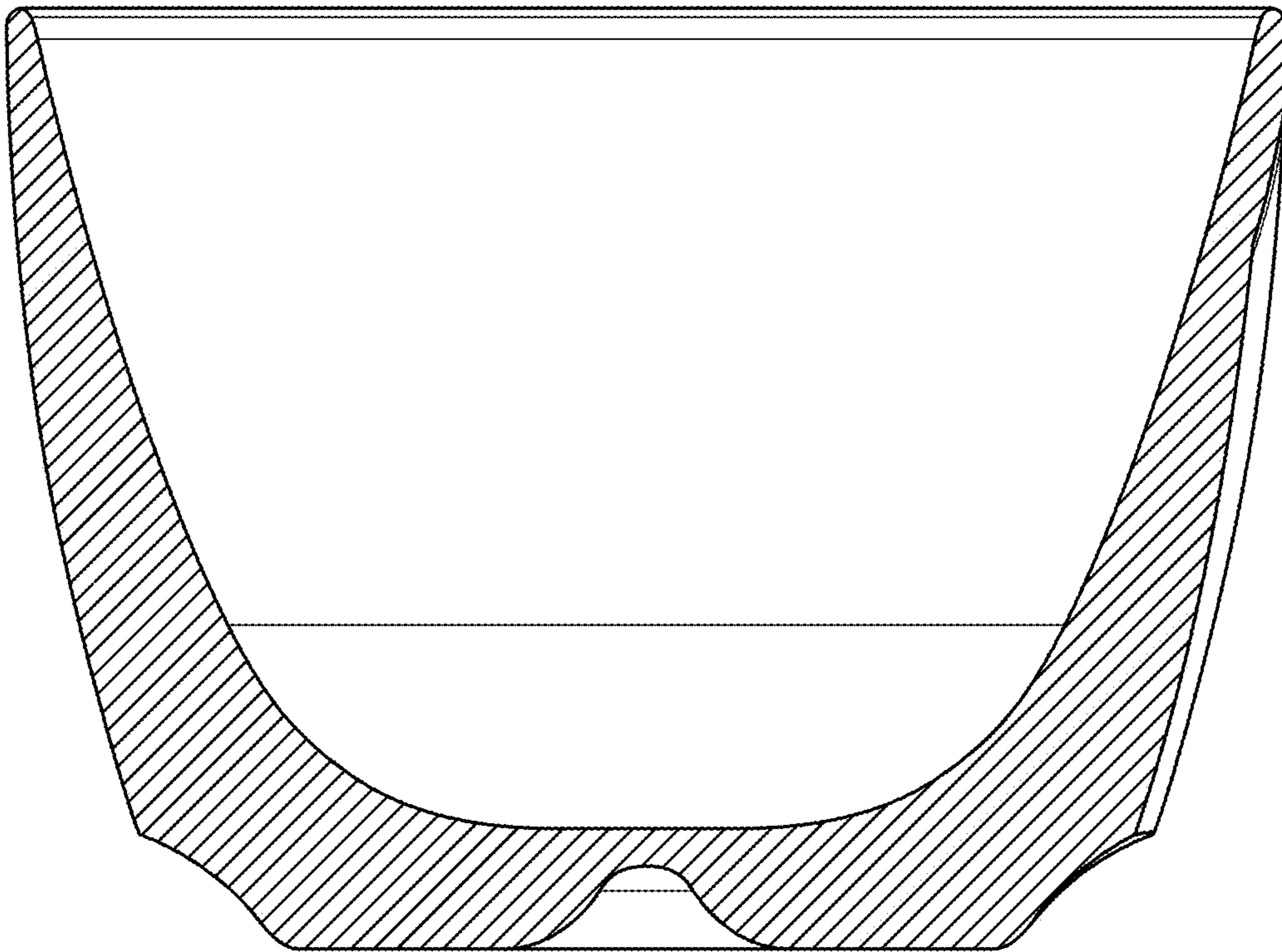


FIG. 3

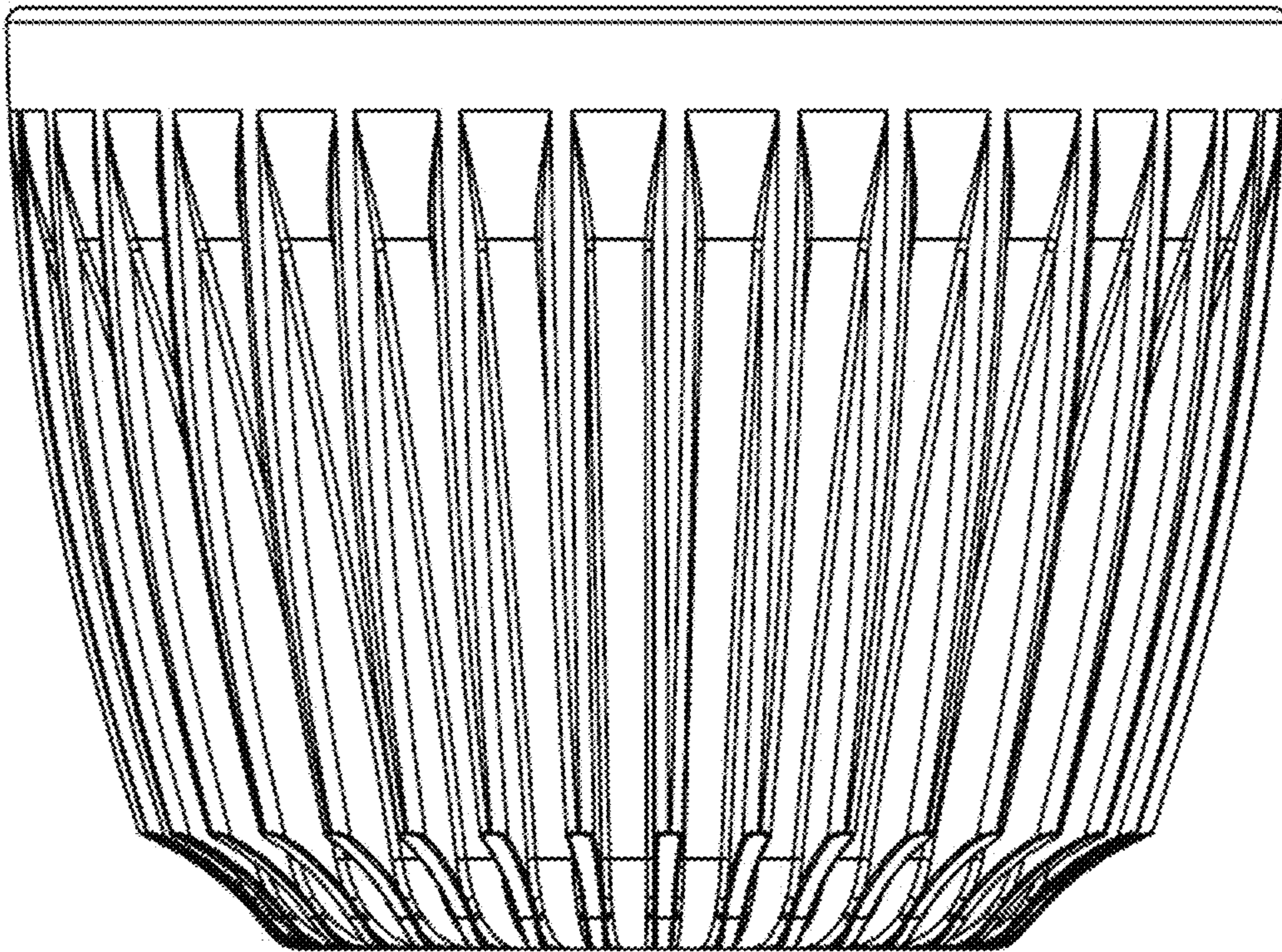


FIG. 4

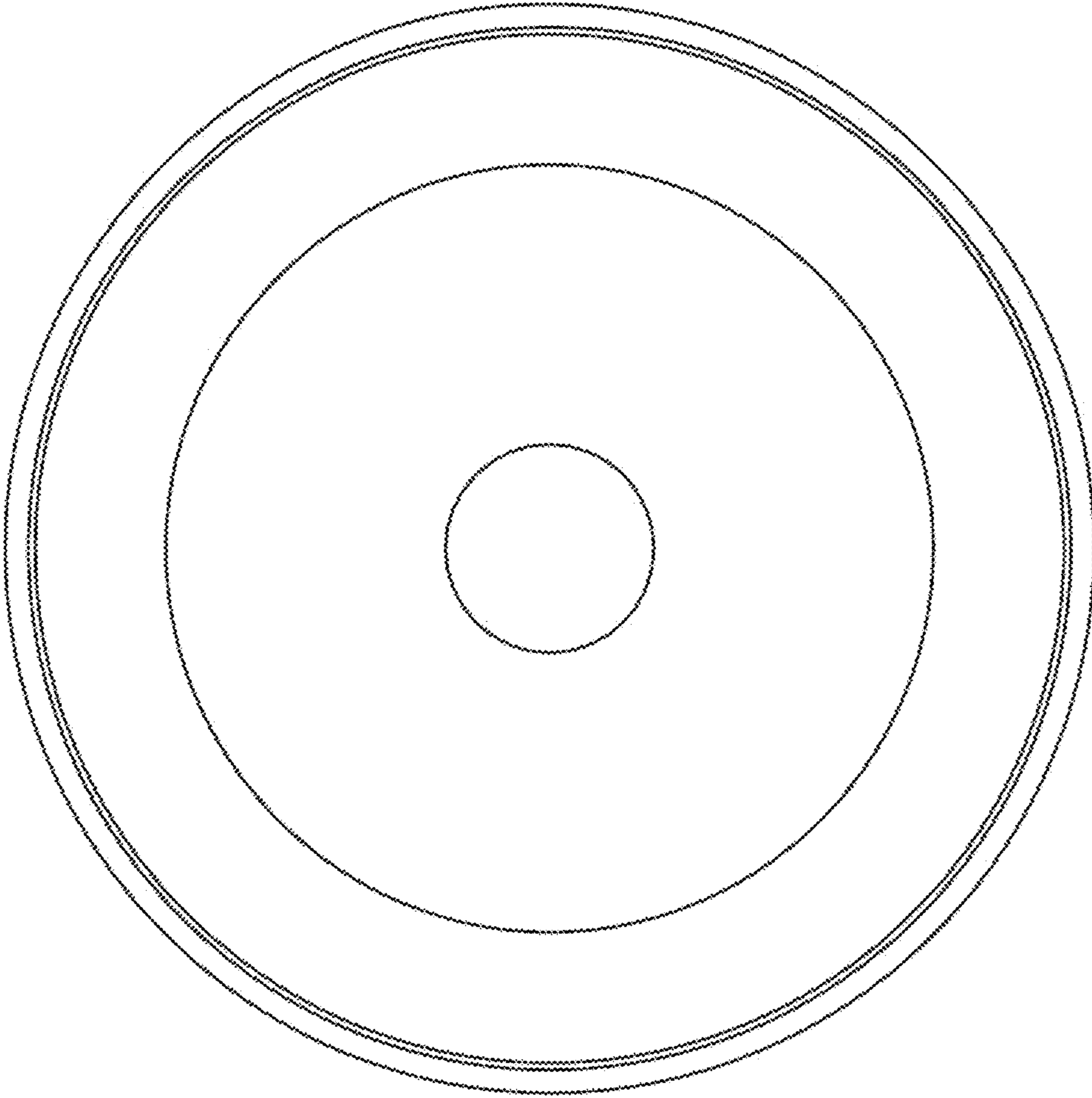


FIG. 5

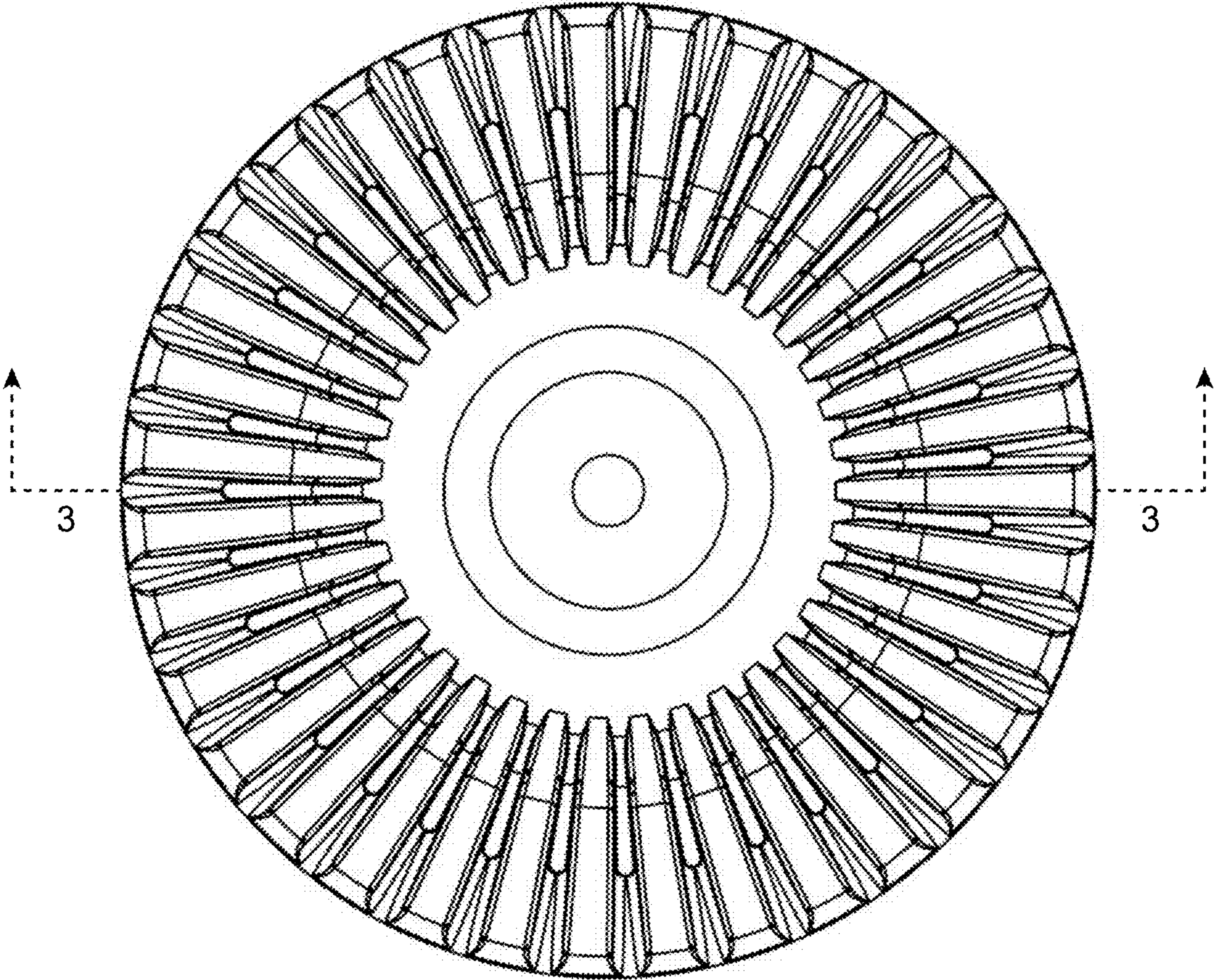


FIG. 6