



US00D972365S

(12) **United States Design Patent** (10) **Patent No.:** **US D972,365 S**
Boscic et al. (45) **Date of Patent:** **** Dec. 13, 2022**

(54) **HANDLE FOR COOKWARE**

(71) Applicant: **Dart Industries Inc.**, Orlando, FL (US)

(72) Inventors: **Andrea Boscic**, Brussels (BE); **Junyu Ye**, Leuven (BE); **Antoon Keymeulen**, Aalst (BE); **Teo Sok Yee**, Singapore (SG)

(73) Assignee: **Dart Industries Inc.**, Orlando, FL (US)

(**) Term: **15 Years**

(21) Appl. No.: **29/772,291**

(22) Filed: **Mar. 1, 2021**

(51) **LOC (13) Cl.** **07-03**

(52) **U.S. Cl.**
USPC **D7/395**; D7/393

(58) **Field of Classification Search**
USPC D7/354-361, 393-395, 401.2, 402, 664
CPC A47J 45/06; A47J 45/08; A47J 45/061;
A47J 45/062; A47J 45/071; A47J 45/072;
A47J 45/085

See application file for complete search history.

(56) **References Cited**

U.S. PATENT DOCUMENTS

| | | | | | |
|------------|---|---------|-----------|-------|--------|
| D416,437 S | * | 11/1999 | Cheng | | D7/391 |
| D426,107 S | * | 6/2000 | Cheng | | D7/393 |
| D555,425 S | * | 11/2007 | Rae | | D7/395 |
| D569,682 S | * | 5/2008 | Prakasa | | D7/395 |
| D578,345 S | * | 10/2008 | Rae | | D7/395 |
| D589,744 S | * | 4/2009 | Rae | | D7/395 |
| D612,200 S | * | 3/2010 | Tetreault | | D7/395 |
| D630,889 S | * | 1/2011 | Rae | | D7/395 |
| D653,078 S | * | 1/2012 | Cheng | | D7/395 |
| D667,691 S | * | 9/2012 | Rae | | D7/395 |

(Continued)

FOREIGN PATENT DOCUMENTS

EM 008781713-0001 * 11/2021

OTHER PUBLICATIONS

Tramontina Covered Deep Sauté Pan Hard Anodized 5.5 Qt. Online, published date Jul. 14, 2021. Retrieved on Jul. 18, 2022 from URL: https://www.amazon.com/Tramontina-Covered-Deep-Saut%C3%A9-Anodized/dp/B099FLHVX9/ref=sr_1_1?crid=2VPYYAMGHCL7&keywords=Tramontina%25%E2%80%A6&th=1.*

Primary Examiner — Jae Liang
Assistant Examiner — Royner Mendoza

(74) *Attorney, Agent, or Firm* — Taylor J. Ross

(57) **CLAIM**

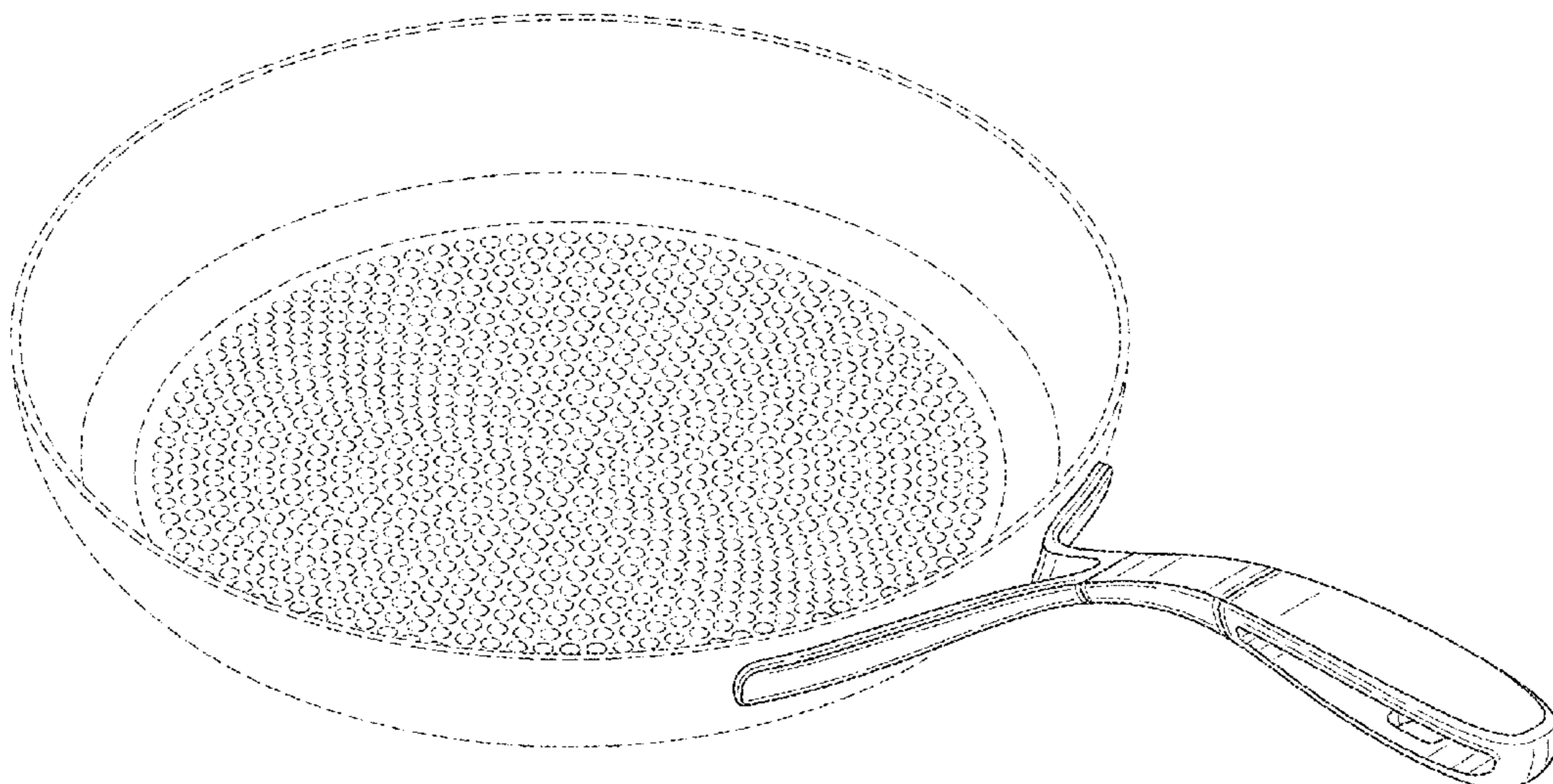
The ornamental design for a handle for cookware, as shown and described.

DESCRIPTION

FIG. 1 is a top, rear and left side isometric view of a handle for cookware in a state of use, showing our new design; FIG. 2 is a bottom, rear and right side isometric view thereof; FIG. 3 is a top plan view thereof; FIG. 4 is a bottom plan view thereof; FIG. 5 is a left side elevation view, the right side elevation being a mirror image thereof; FIG. 6 is a rear elevation view thereof; FIG. 7 is a front elevation view thereof; FIG. 8 is a top, rear and left side isometric view of a handle for cookware showing the environment removed; FIG. 9 is a left side elevation view, the right side elevation being a mirror image thereof; FIG. 10 is a bottom, rear and right side elevation view thereof; FIG. 11 is a top plan view thereof; FIG. 12 is a rear elevation view thereof; FIG. 13 is a bottom plan view thereof; and, FIG. 14 is a front elevation view thereof.

The broken lines shown in the drawings are included for the purpose of illustration environmental structure and form no part of the claimed design.

1 Claim, 11 Drawing Sheets



(56)

References Cited

U.S. PATENT DOCUMENTS

| | | | | | |
|--------------|------|---------|-------------|-------|--------------------------|
| D705,001 | S * | 5/2014 | Rae | | D7/395 |
| D734,981 | S * | 7/2015 | Thun | | D7/395 |
| D749,356 | S * | 2/2016 | Steiner | | D7/395 |
| D757,487 | S * | 5/2016 | McConnell | | D7/395 |
| D757,488 | S * | 5/2016 | McConnell | | D7/395 |
| D795,010 | S * | 8/2017 | Barberi | | D7/393 |
| D798,655 | S * | 10/2017 | Barberi | | D7/393 |
| D849,470 | S * | 5/2019 | Hollinger | | D7/395 |
| D852,576 | S * | 7/2019 | Jamison | | D7/395 |
| D885,820 | S * | 6/2020 | Girdaukas | | D7/354 |
| D908,424 | S * | 1/2021 | Nathan | | D7/395 |
| D918,650 | S * | 5/2021 | Nathan | | D7/395 |
| D938,225 | S * | 12/2021 | Rajasekaran | | D7/395 |
| 2004/0060936 | A1 * | 4/2004 | Logiudice | | A47J 45/063 220/254.1 |
| 2006/0213033 | A1 * | 9/2006 | Wasserman | | A47J 45/061 16/431 |
| 2018/0338644 | A1 * | 11/2018 | Gossens | | A47J 45/068 |
| 2020/0138243 | A1 * | 5/2020 | Mishan | | A47J 45/061 |

* cited by examiner

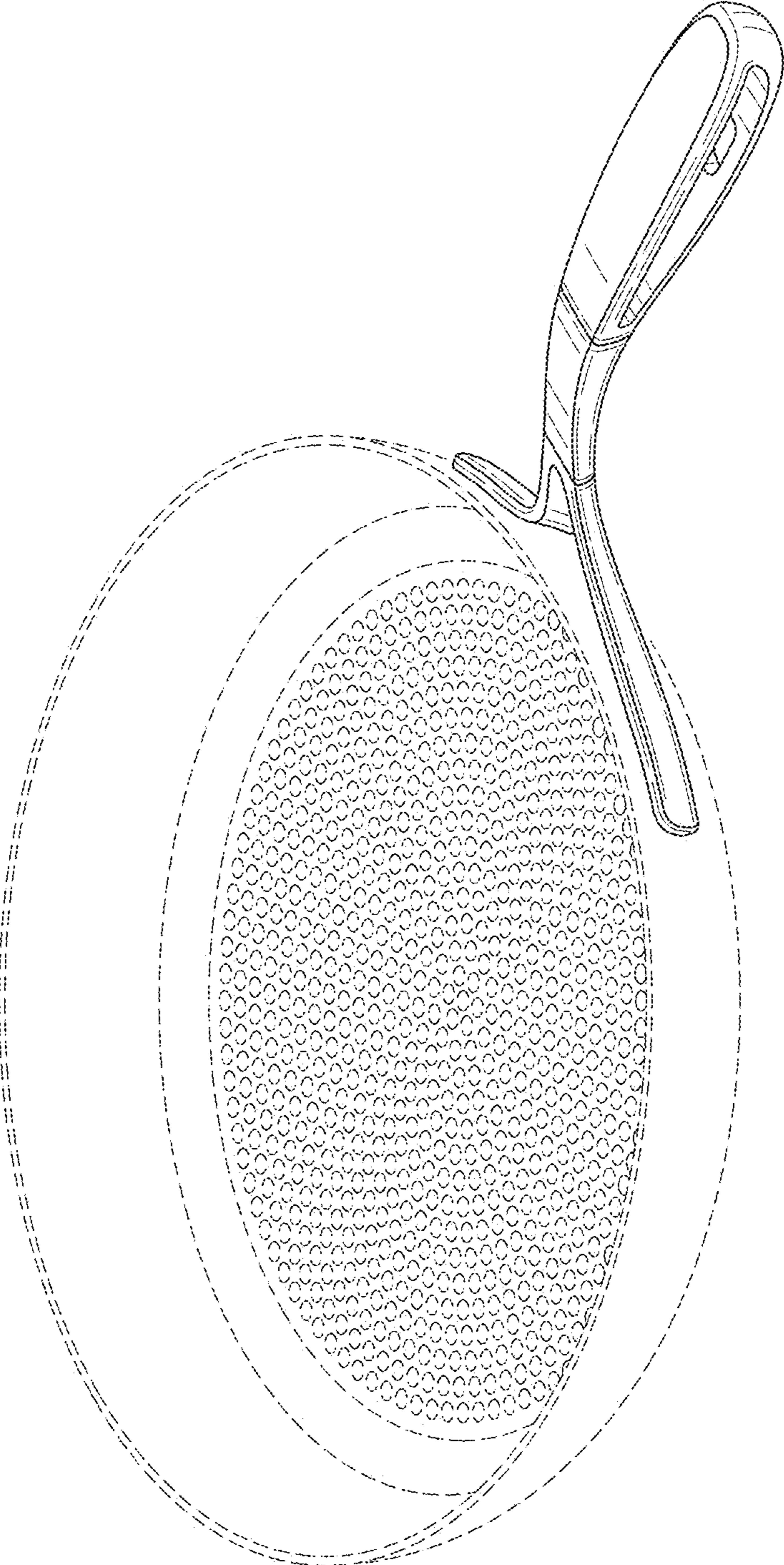


FIG. 1

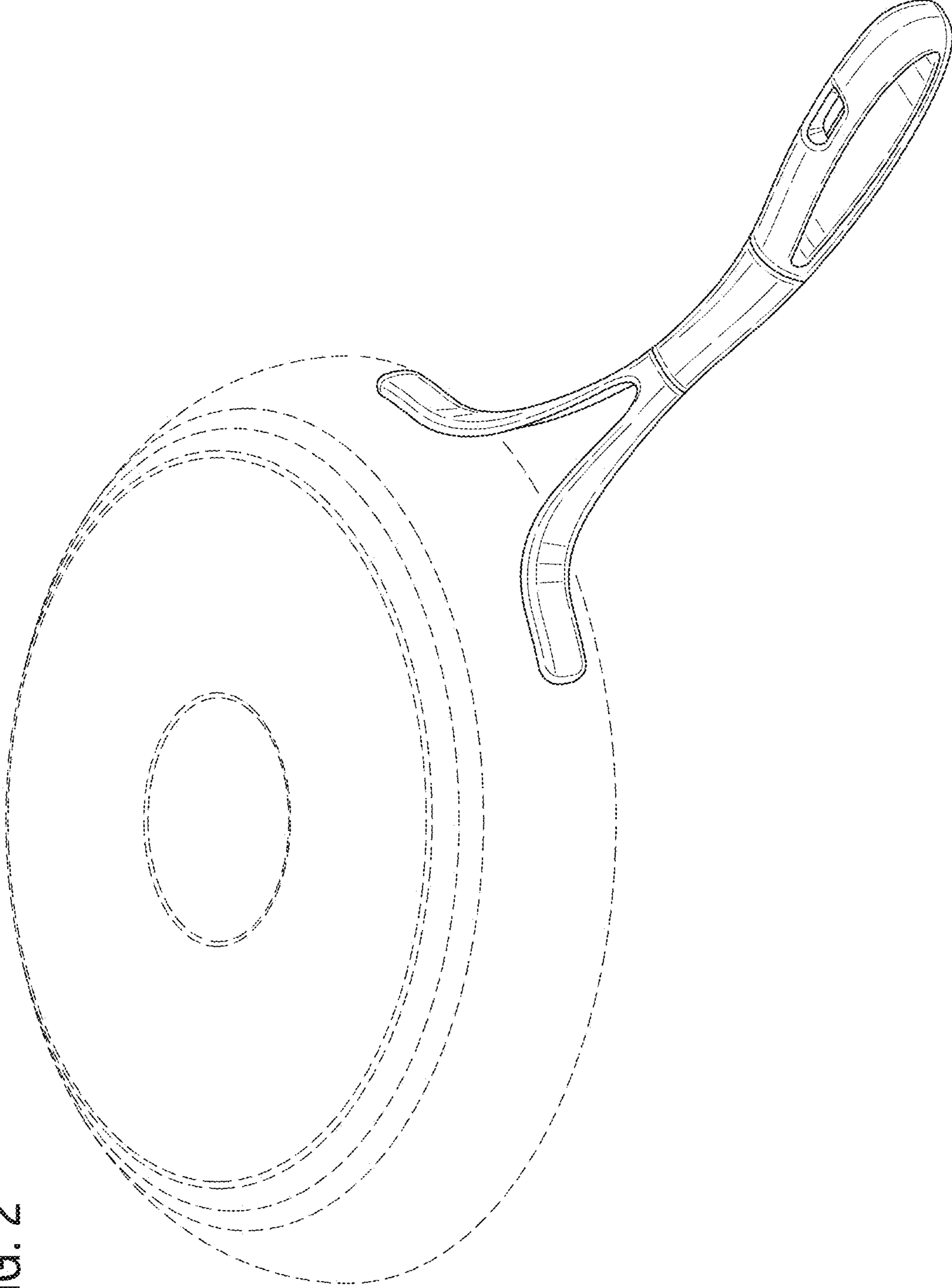


FIG. 2



FIG. 3

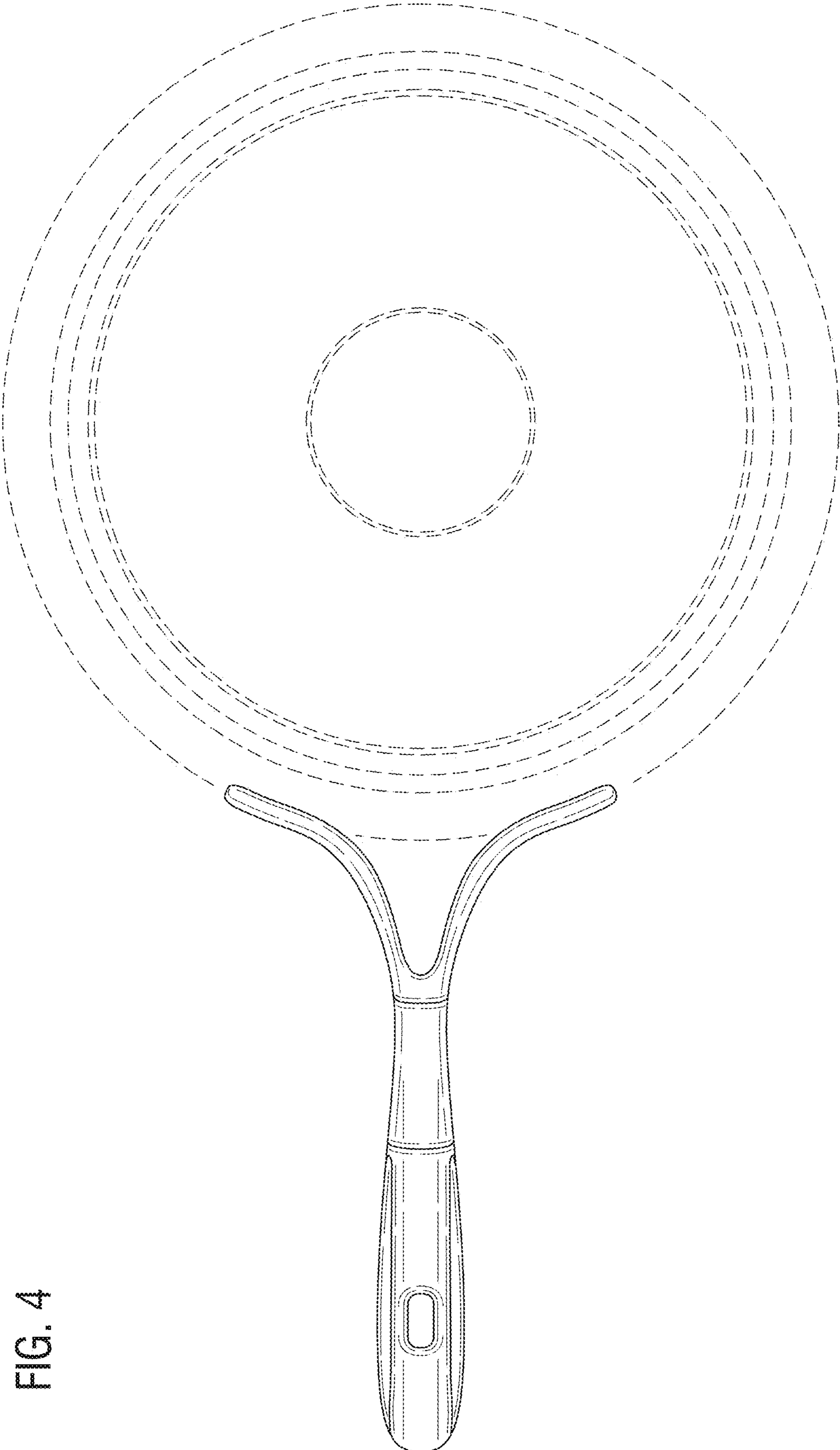


FIG. 4

FIG. 5

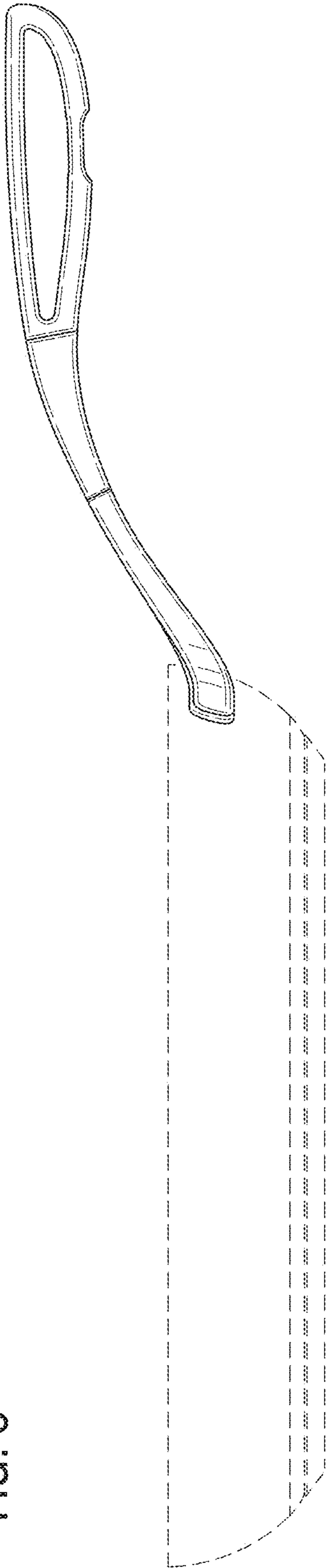
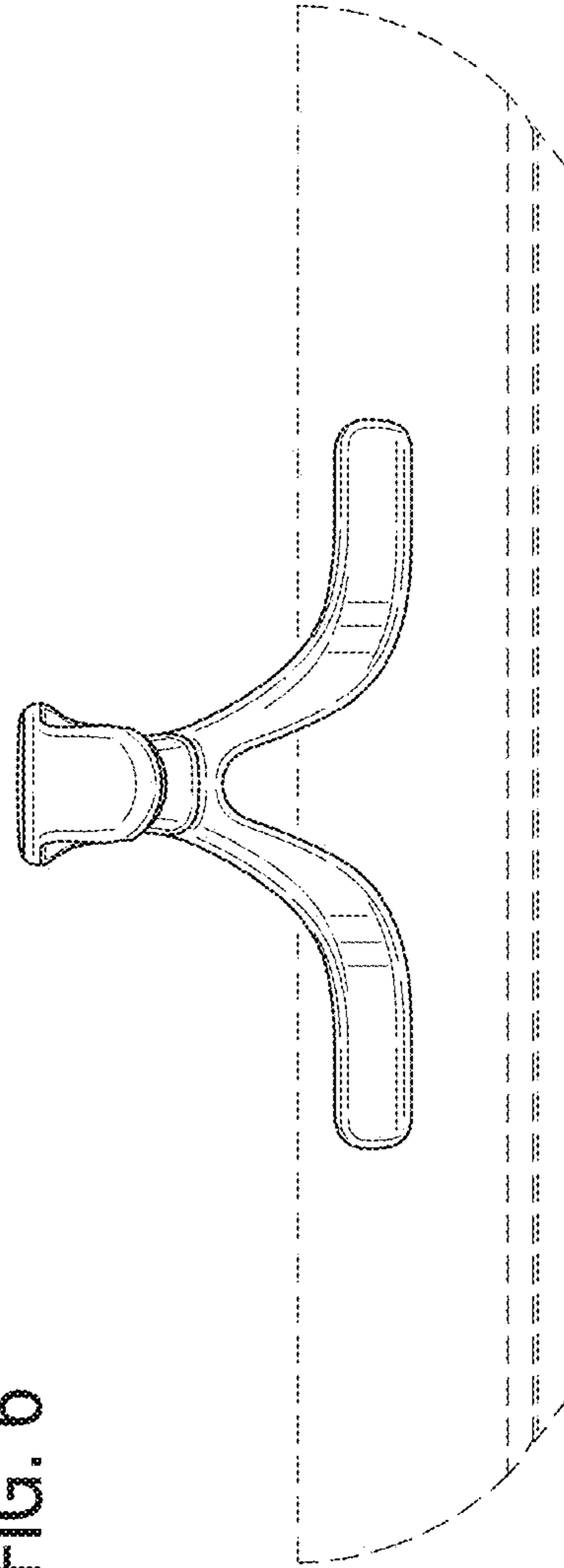


FIG. 6



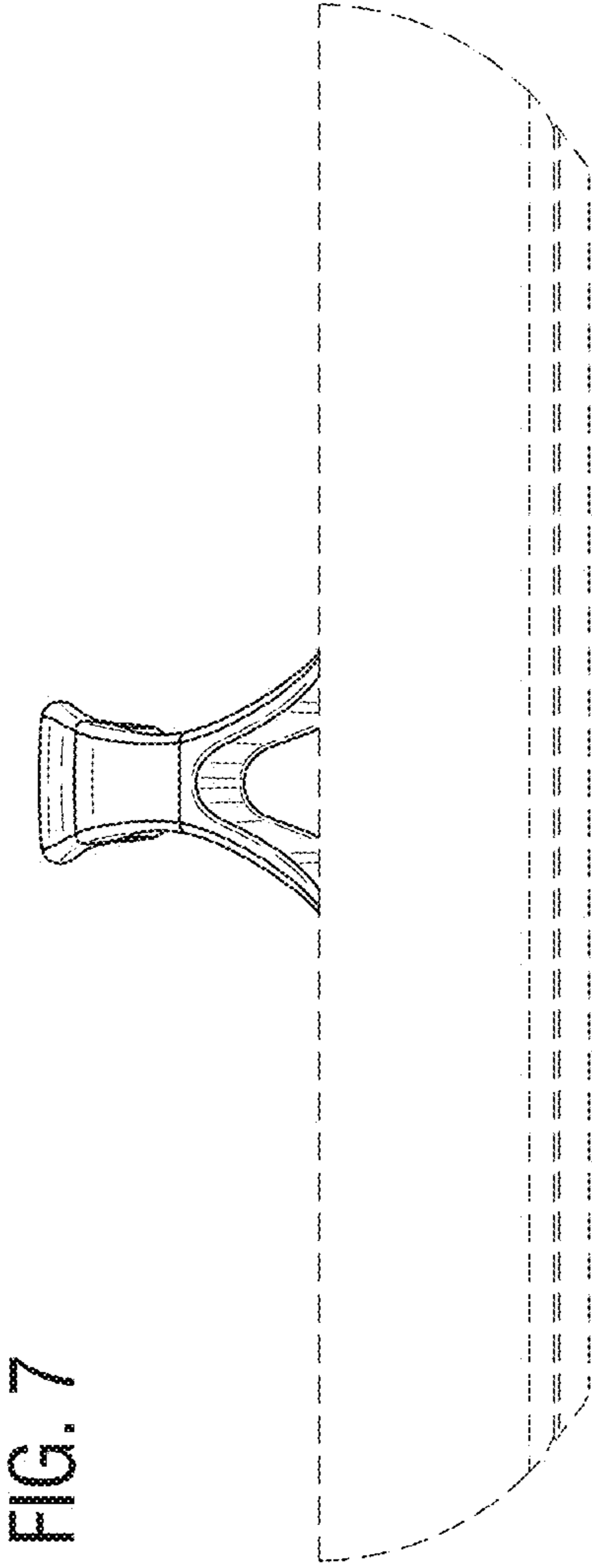


FIG. 7

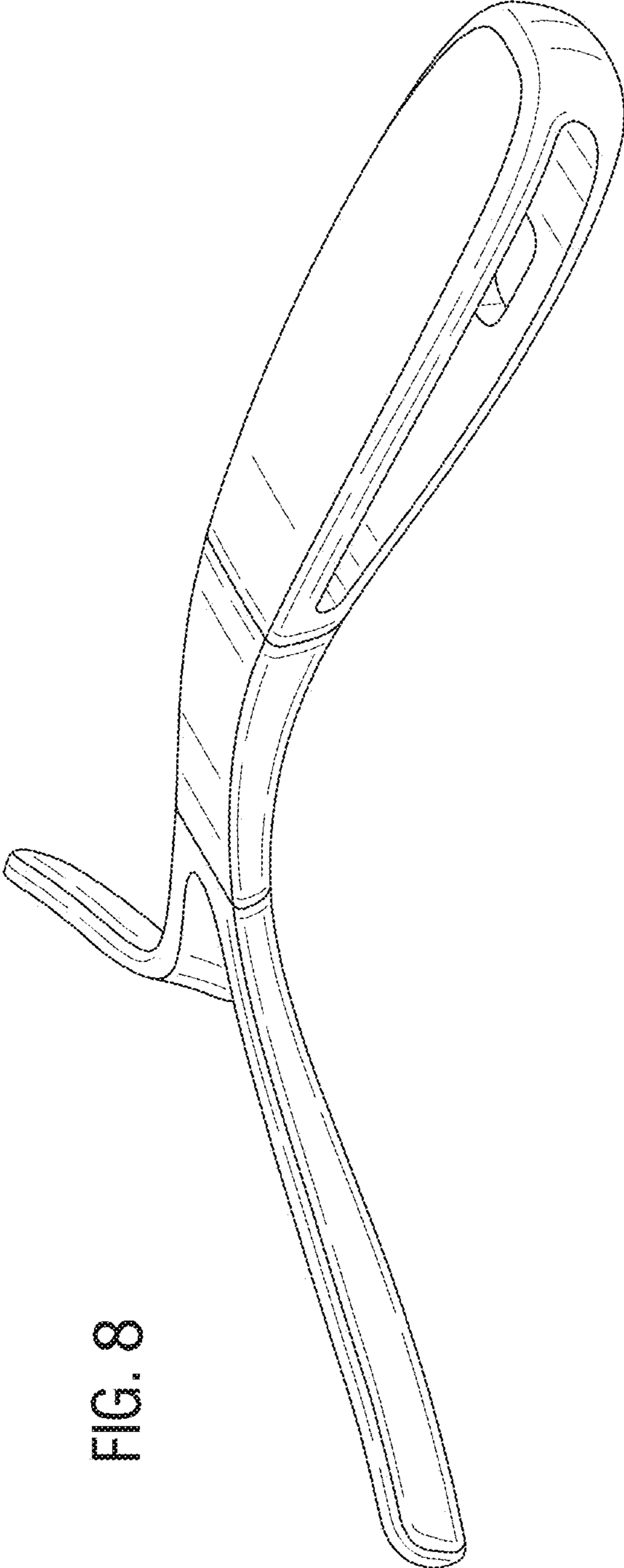


FIG. 8

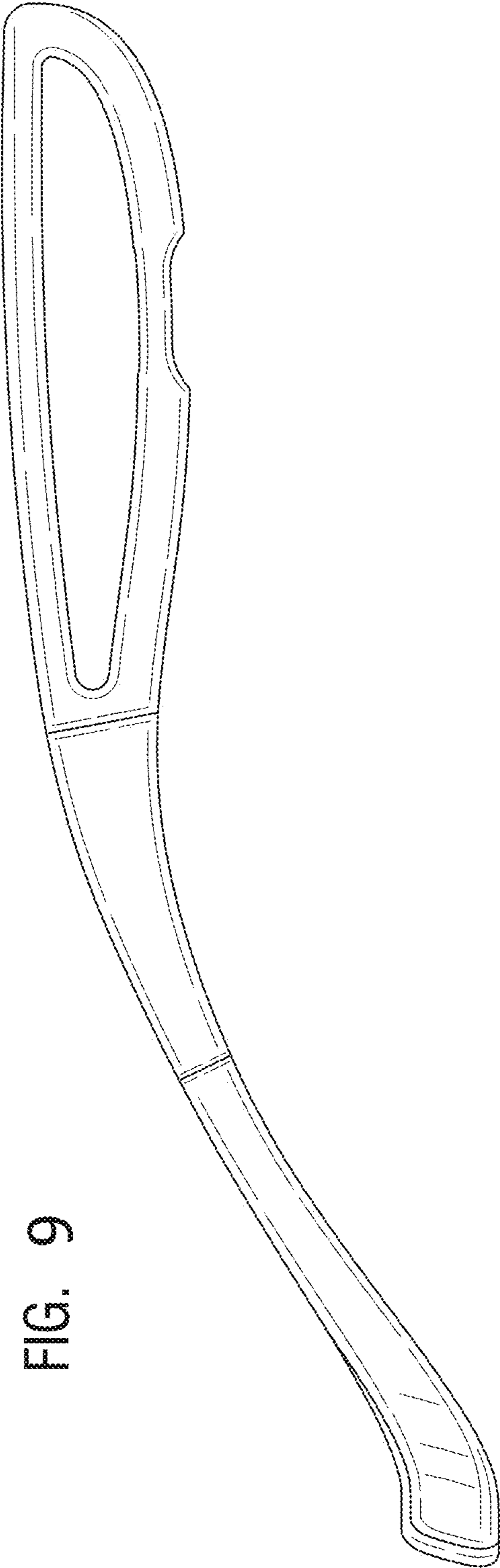


FIG. 9

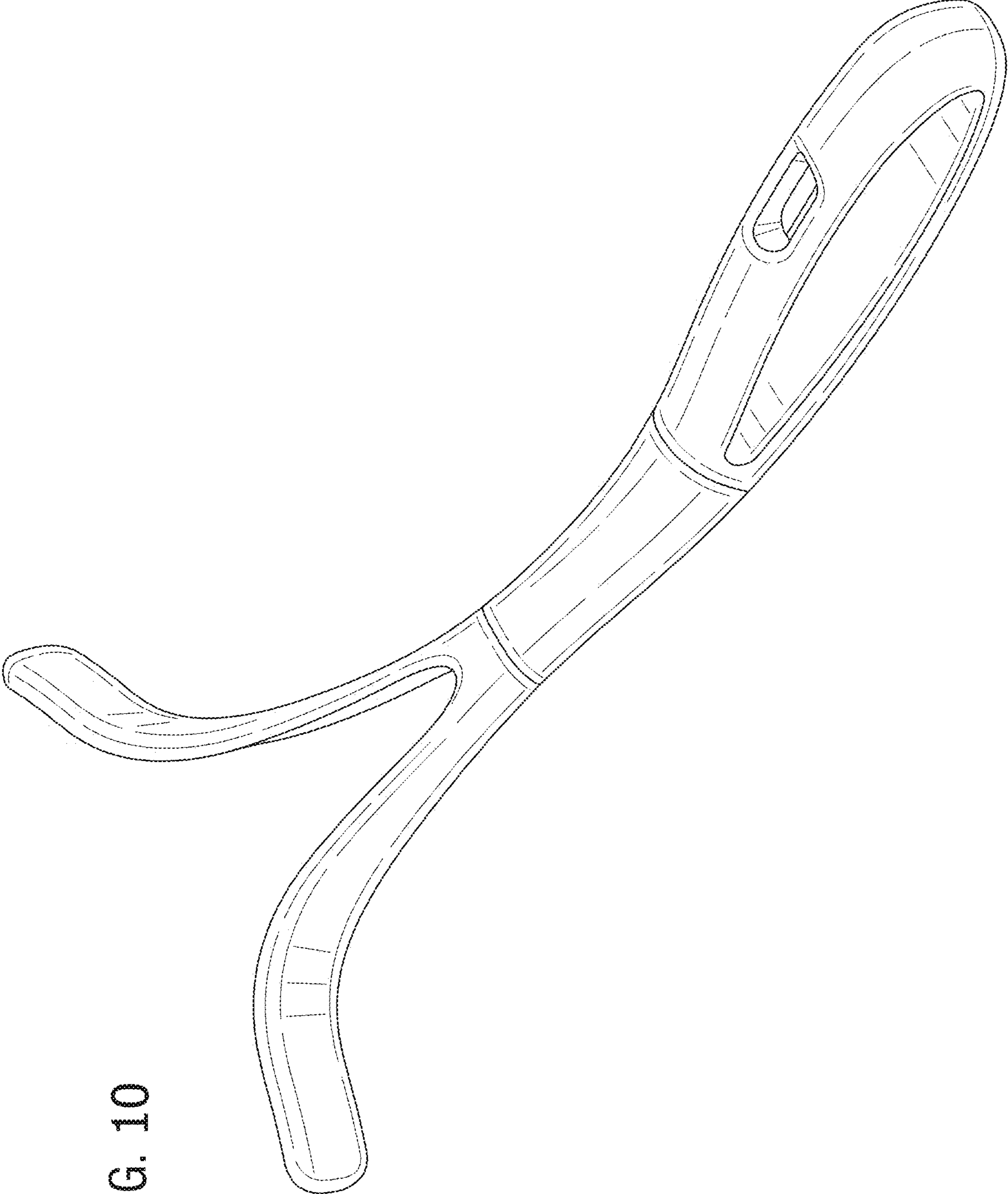
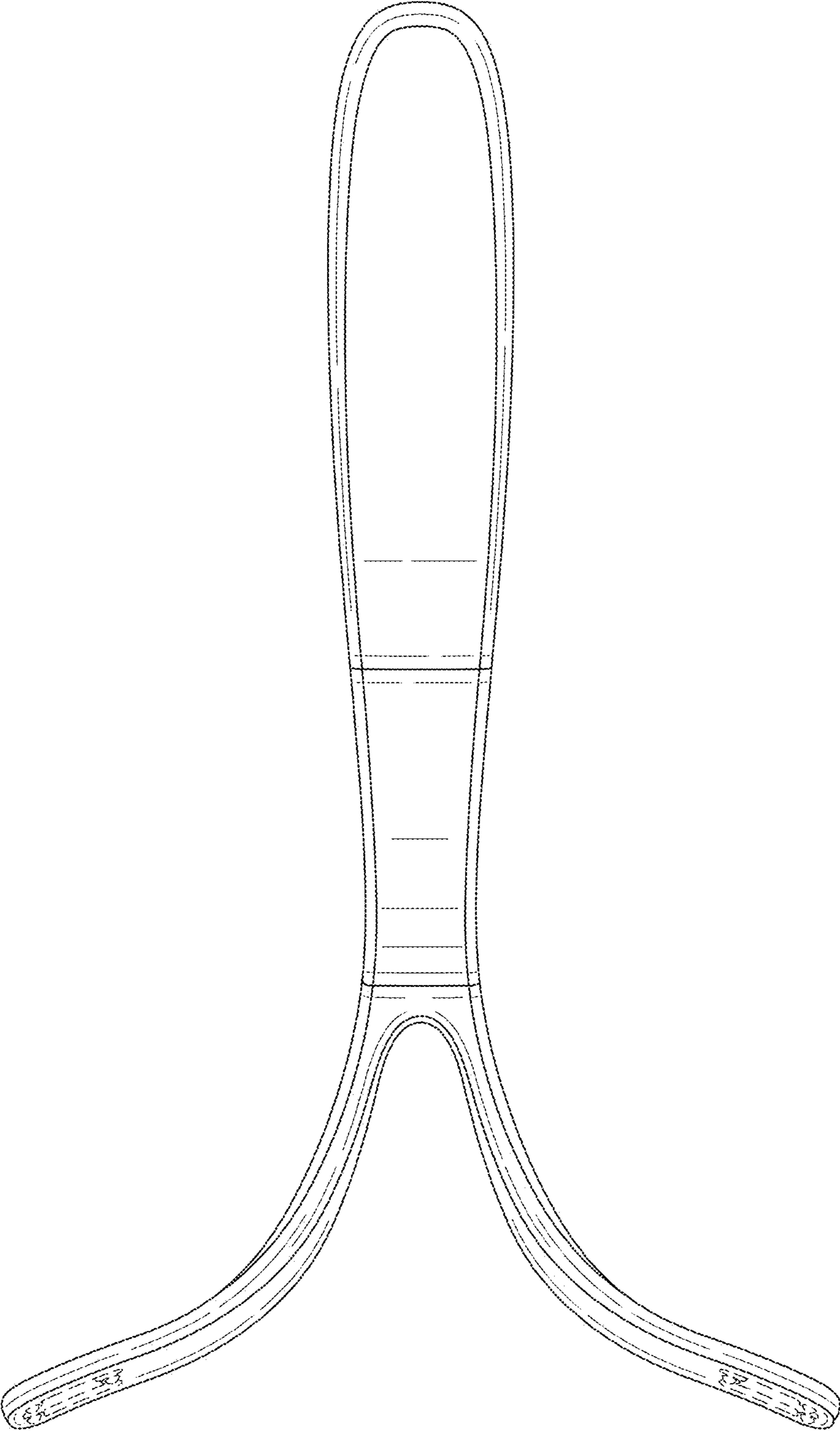


FIG. 10

FIG. 11



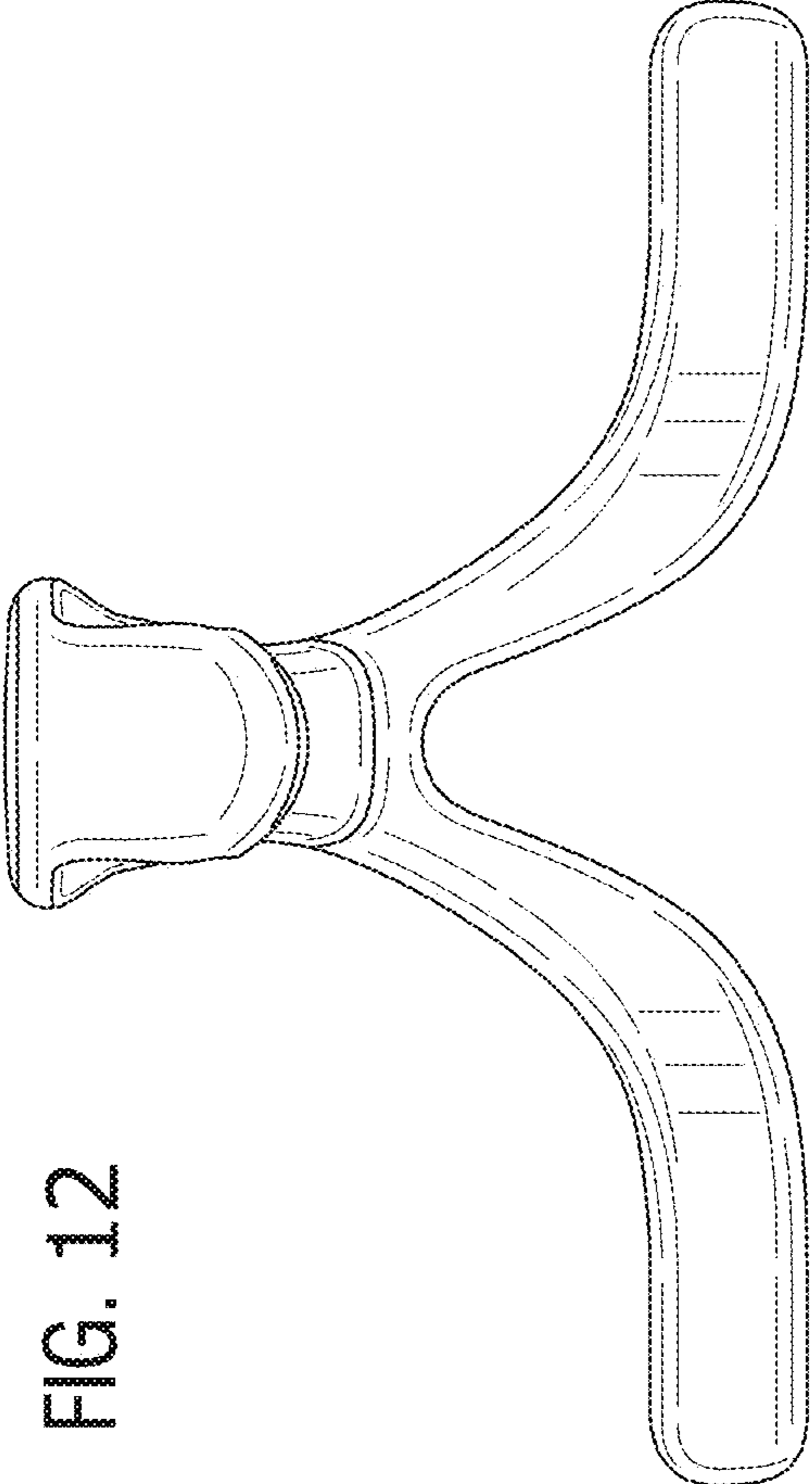


FIG. 12

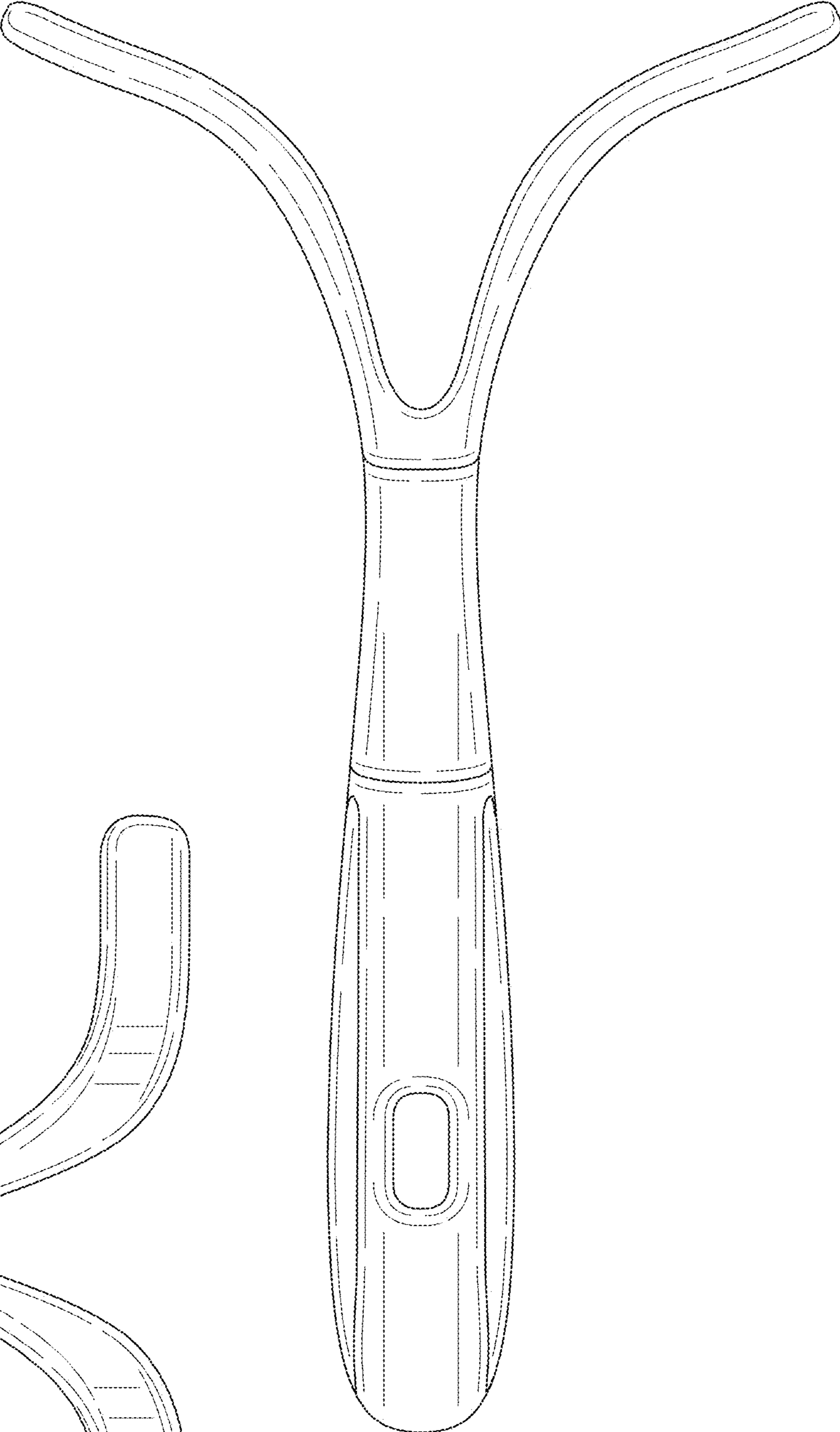


FIG. 13

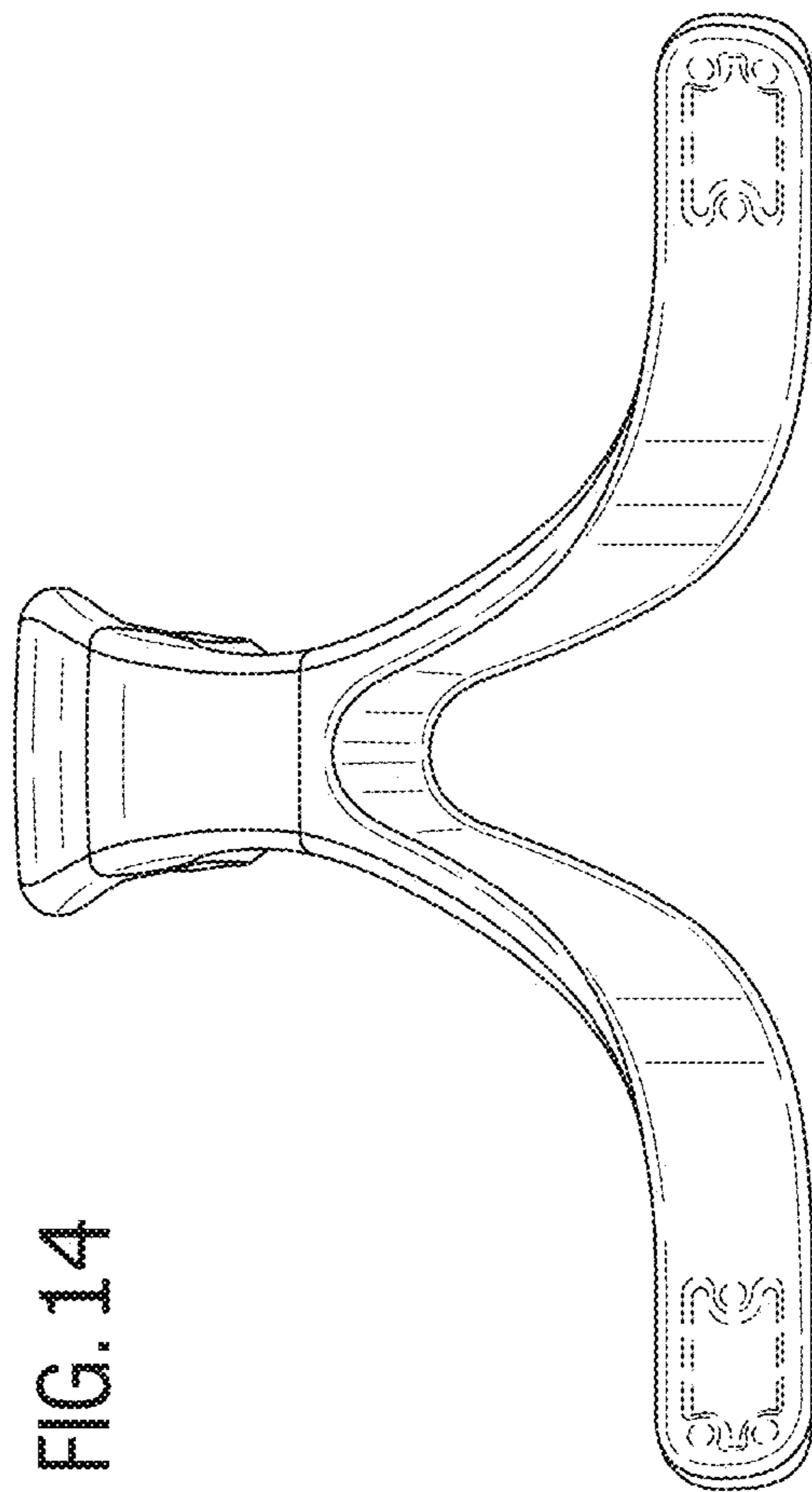


FIG. 14