



US00D972364S

(12) **United States Design Patent**
Wang

(10) **Patent No.:** **US D972,364 S**

(45) **Date of Patent:** **** Dec. 13, 2022**

(54) **LID**

(71) Applicant: **Hongyan Wang, Yuanjiang (CN)**

(72) Inventor: **Hongyan Wang, Yuanjiang (CN)**

(**) Term: **15 Years**

(21) Appl. No.: **29/792,897**

(22) Filed: **Apr. 29, 2022**

(51) **LOC (13) Cl.** **07-02**

(52) **U.S. Cl.**
USPC **D7/392.1; D9/454; D7/391**

(58) **Field of Classification Search**
USPC D9/434-436, 439, 440, 443, 444, 445,
D9/447, 449, 450, 451, 454, 499, 503,
D9/504, 505, 516, 529; D7/387, 391,
D7/392, 392.1, 396.2, 510, 511, 629, 900;
D3/202
CPC A45F 3/16; A47G 19/2272; A61J 1/00;
A61J 1/1412; B65D 1/00; B65D 1/02;
B65D 1/10; B65D 1/46; B65D 41/00;
B65D 41/38; B65D 41/56; B65D 41/62;
B65D 45/00; B65D 47/00; B65D 47/06;
B65D 47/08; B65D 2251/00; B65D
2543/00046; B65D 2543/00055; B65D
2543/00092; B65D 2543/00296; B65D
2581/3409

See application file for complete search history.

(56) **References Cited**

U.S. PATENT DOCUMENTS

D297,298 S *	8/1988	Sarnoff	D7/391
D390,462 S *	2/1998	Mao	D9/454
D547,114 S *	7/2007	Backaert	D7/392
D598,755 S *	8/2009	Bull	D9/454
D612,196 S	3/2010	Furlong		
D632,563 S	2/2011	Sitabkhan		
D655,160 S	3/2012	Daniel		
D655,162 S	3/2012	Daniel		
D655,582 S *	3/2012	Matsumoto	D7/629

D669,354 S *	10/2012	Davis	D9/454
D673,807 S	1/2013	Grider		
D719,828 S	12/2014	Henriksson		
D749,371 S *	2/2016	Kolano	D7/629
D810,491 S *	2/2018	Naden	D7/317
D817,765 S *	5/2018	Kim	D7/629
D845,763 S *	4/2019	Savenok	D9/454
D850,189 S *	6/2019	Burton	D7/392.1
D855,390 S *	8/2019	Lullie	D9/454
D867,134 S	11/2019	Savenok		
D872,521 S *	1/2020	Sitwell	D7/396.2
D903,408 S *	12/2020	Massucco	D7/392.1
D907,430 S *	1/2021	Pentelovitch	D7/391
D926,577 S *	8/2021	Woolery	D9/454

(Continued)

FOREIGN PATENT DOCUMENTS

CN 307381802 * 6/2022

OTHER PUBLICATIONS

<https://www.amazon.com/TVIA-Universal-Silicone-Standard-Multicolor/dp/B07N44LDV6>, from Amazon.com, printed on Aug. 3, 2022.

(Continued)

Primary Examiner — Wendy L Arminio

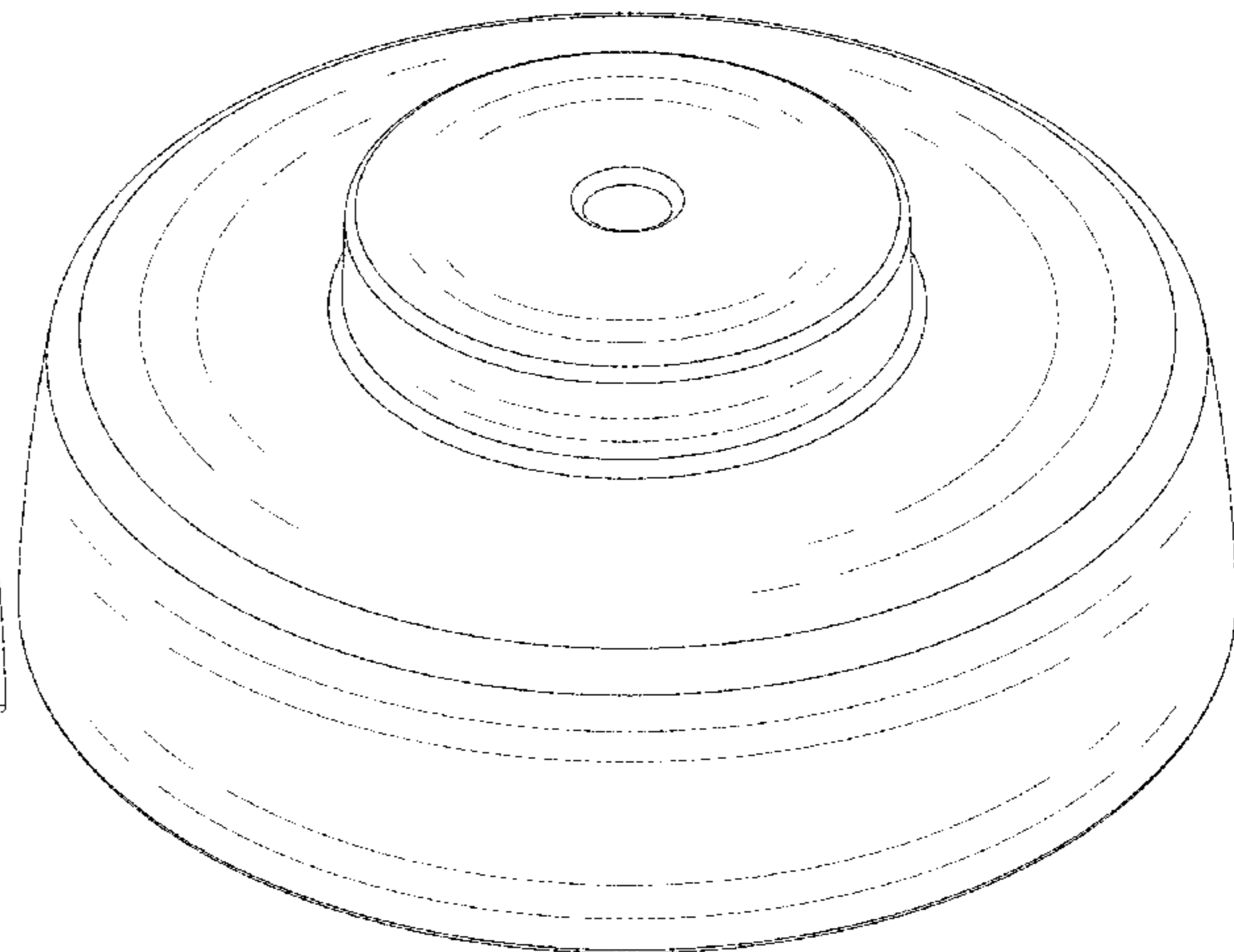
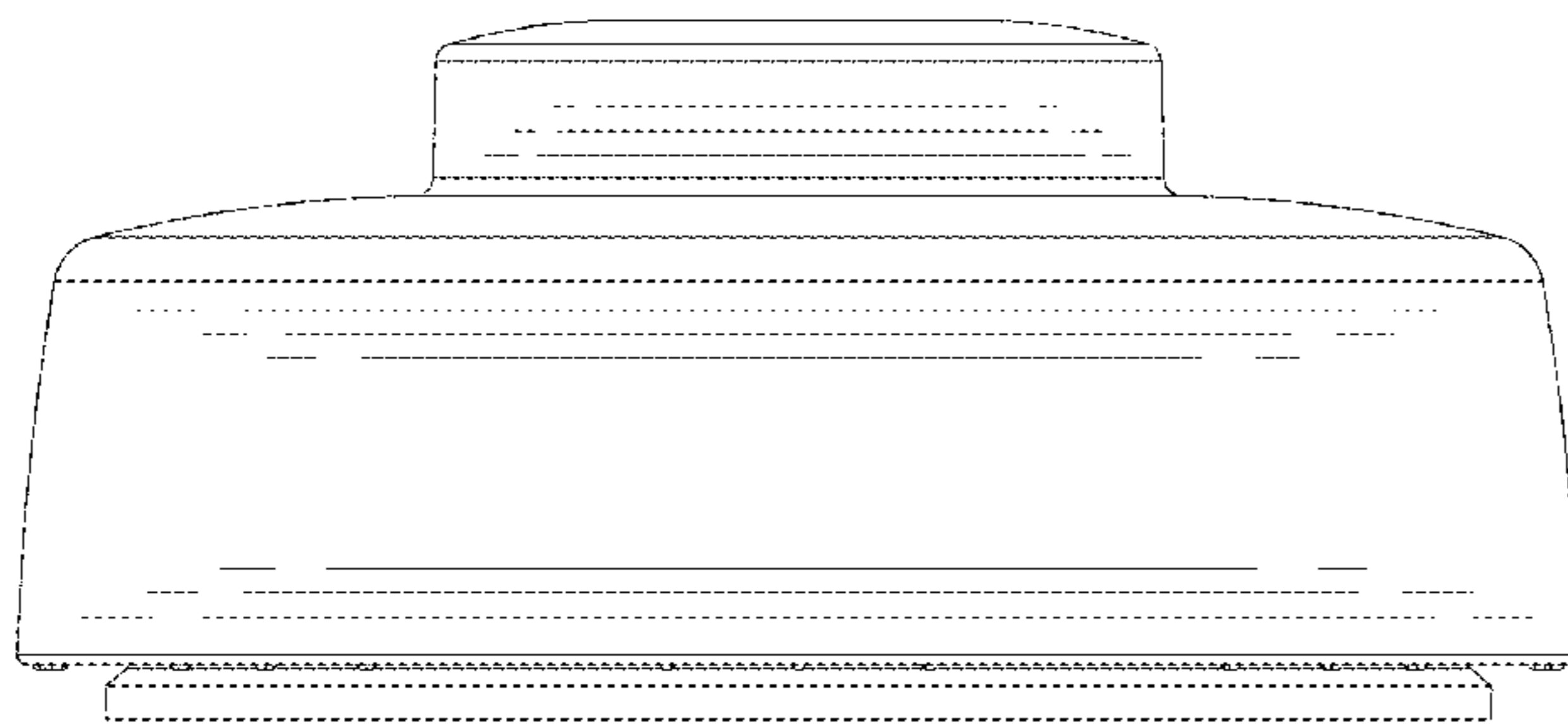
(57) **CLAIM**

The ornamental design for a lid, as shown and described.

DESCRIPTION

FIG. 1 is a front elevation view of a lid showing the new design;
FIG. 2 is a back elevation view thereof;
FIG. 3 is a left-side view thereof;
FIG. 4 is a right-side view thereof;
FIG. 5 is a top plan view thereof;
FIG. 6 is a bottom plan view thereof;
FIG. 7 is a perspective view thereof; and,
FIG. 8 is a perspective view thereof.

1 Claim, 8 Drawing Sheets



(56)

References Cited

U.S. PATENT DOCUMENTS

D951,091 S * 5/2022 Bontrager D9/454
D953,104 S * 5/2022 Seo D7/392

OTHER PUBLICATIONS

<https://www.amazon.com/Pyrex-Round-Plastic-Cover-4-Pack/dp/B07V25NQZX>, from Amazon.com, printed on Aug. 3, 2022.
<https://www.amazon.com/Regular-Secure-Plastisol-KooK-Silver/dp/B08BGCW533>, from Amazon.com, printed on Aug. 3, 2022.
<https://www.amazon.com/Count-Disposable-Plastic-Paper-Coffee/dp/B098R59SRV>, from Amazon.com, printed on Aug. 3, 2022.
<https://www.amazon.com/Solo-TLP316-0007-White-Traveler-Plastic/dp/B004122WAE>, from Amazon.com, printed on Aug. 3, 2022.

* cited by examiner

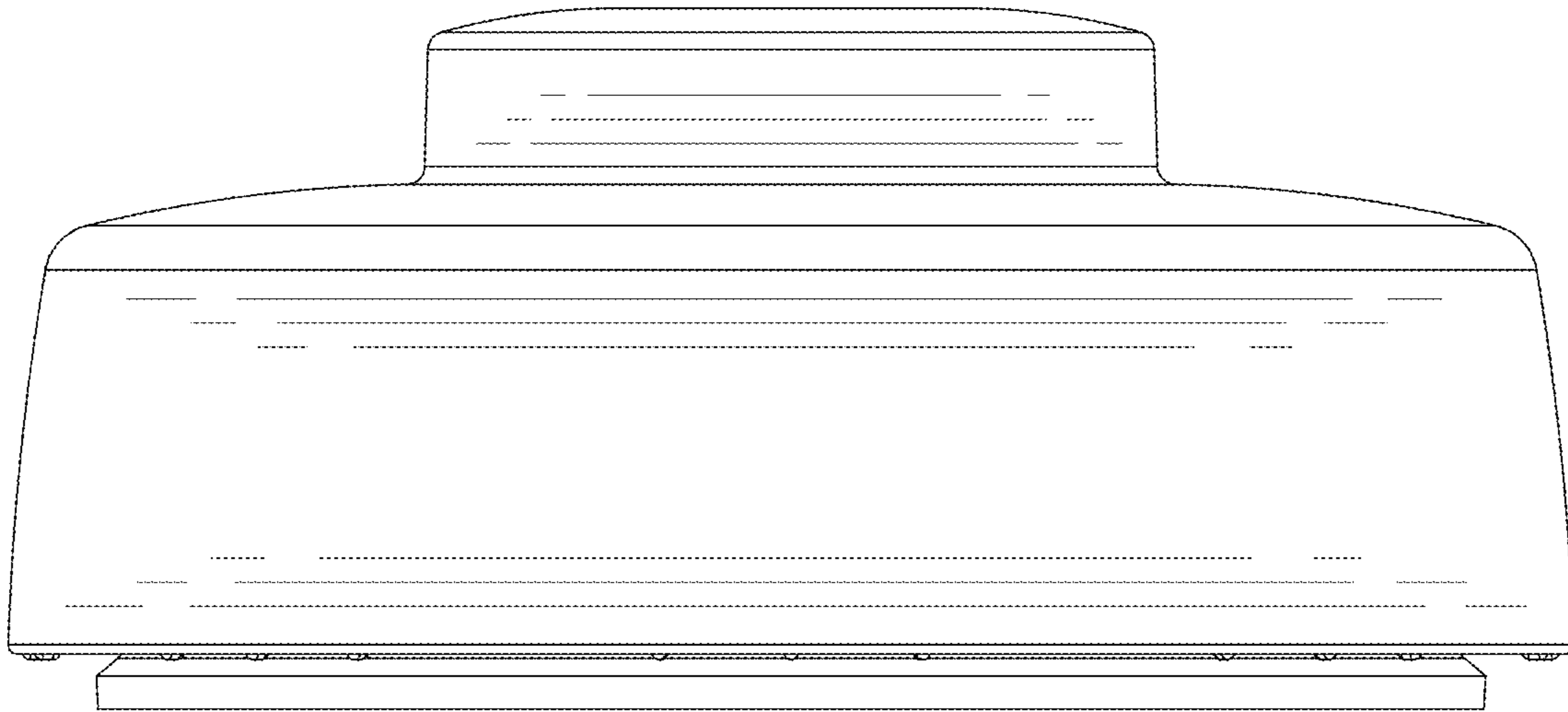


FIG. 1

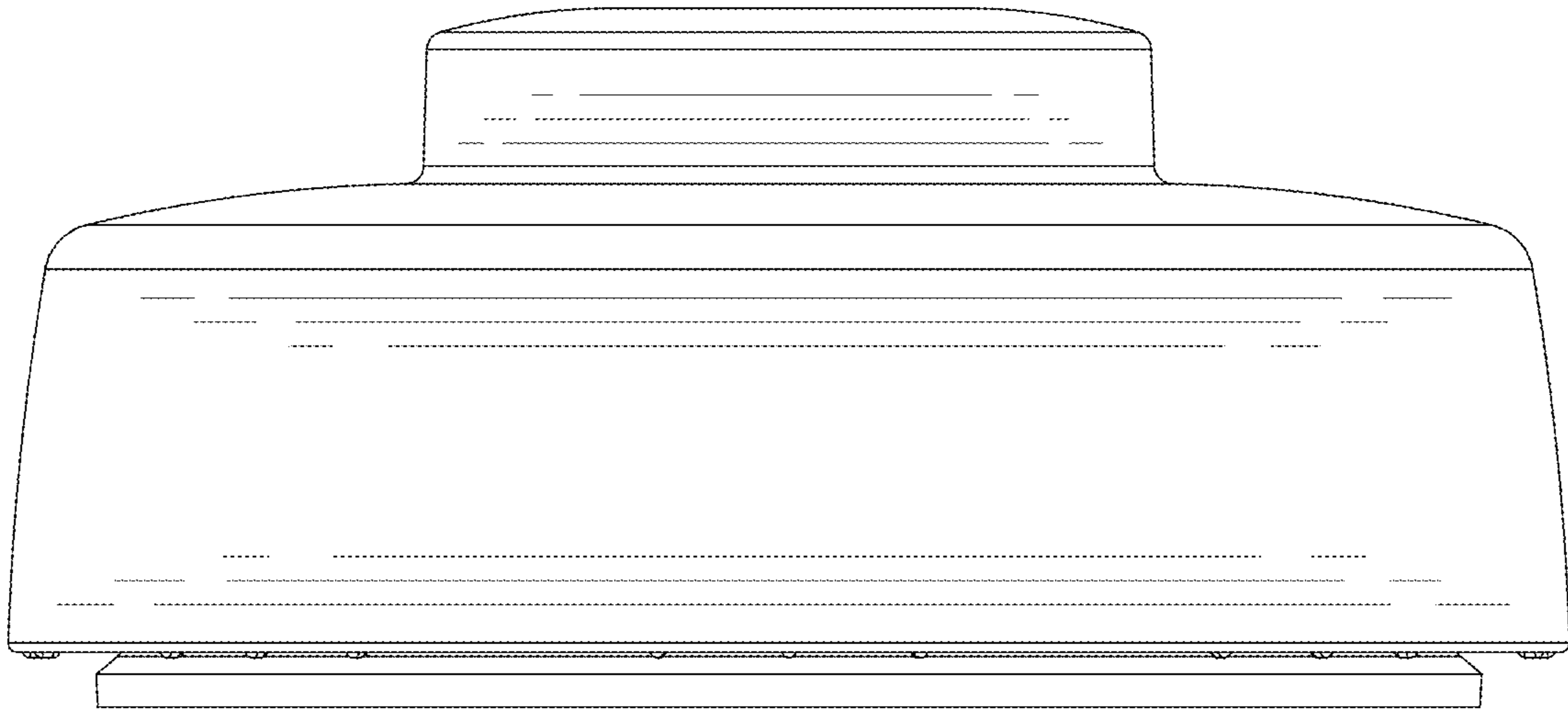


FIG. 2

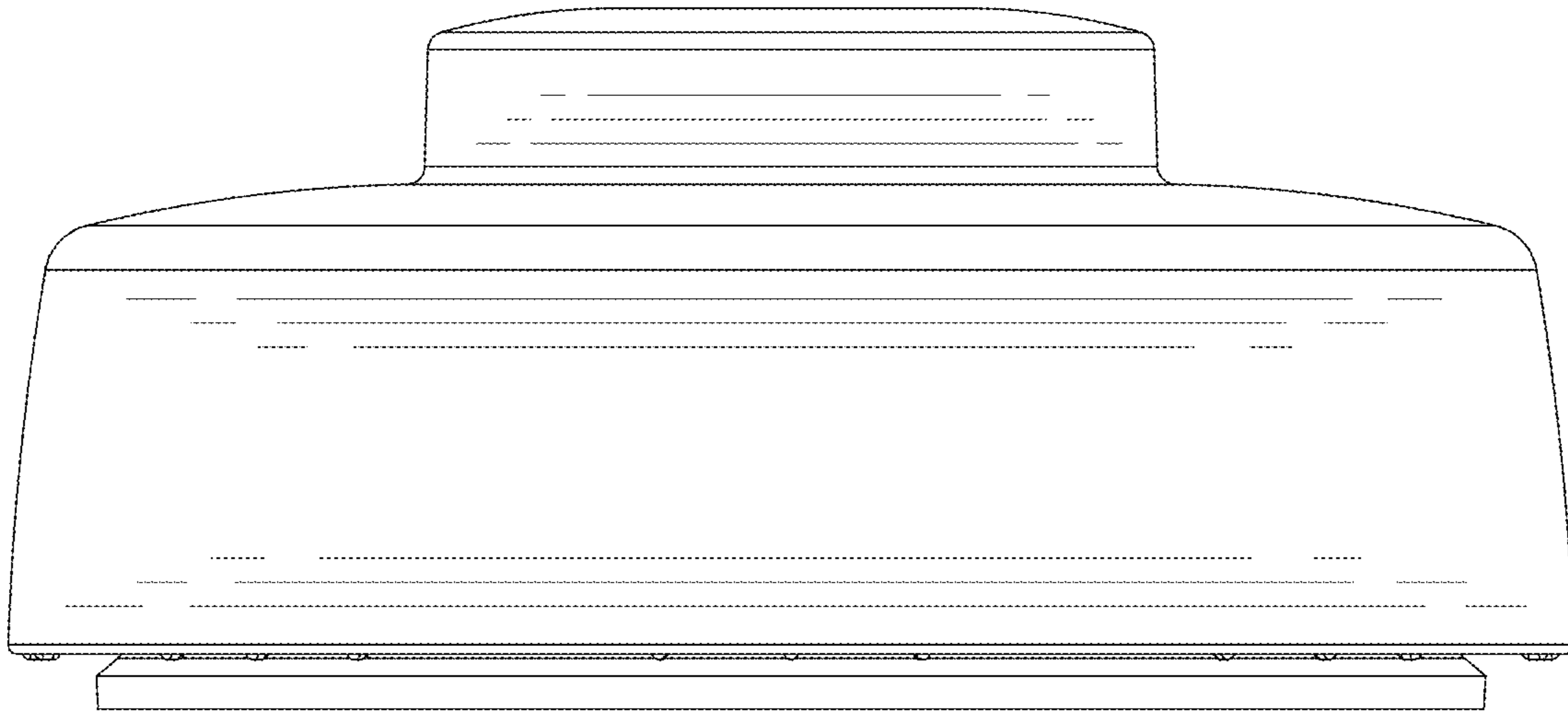


FIG. 3

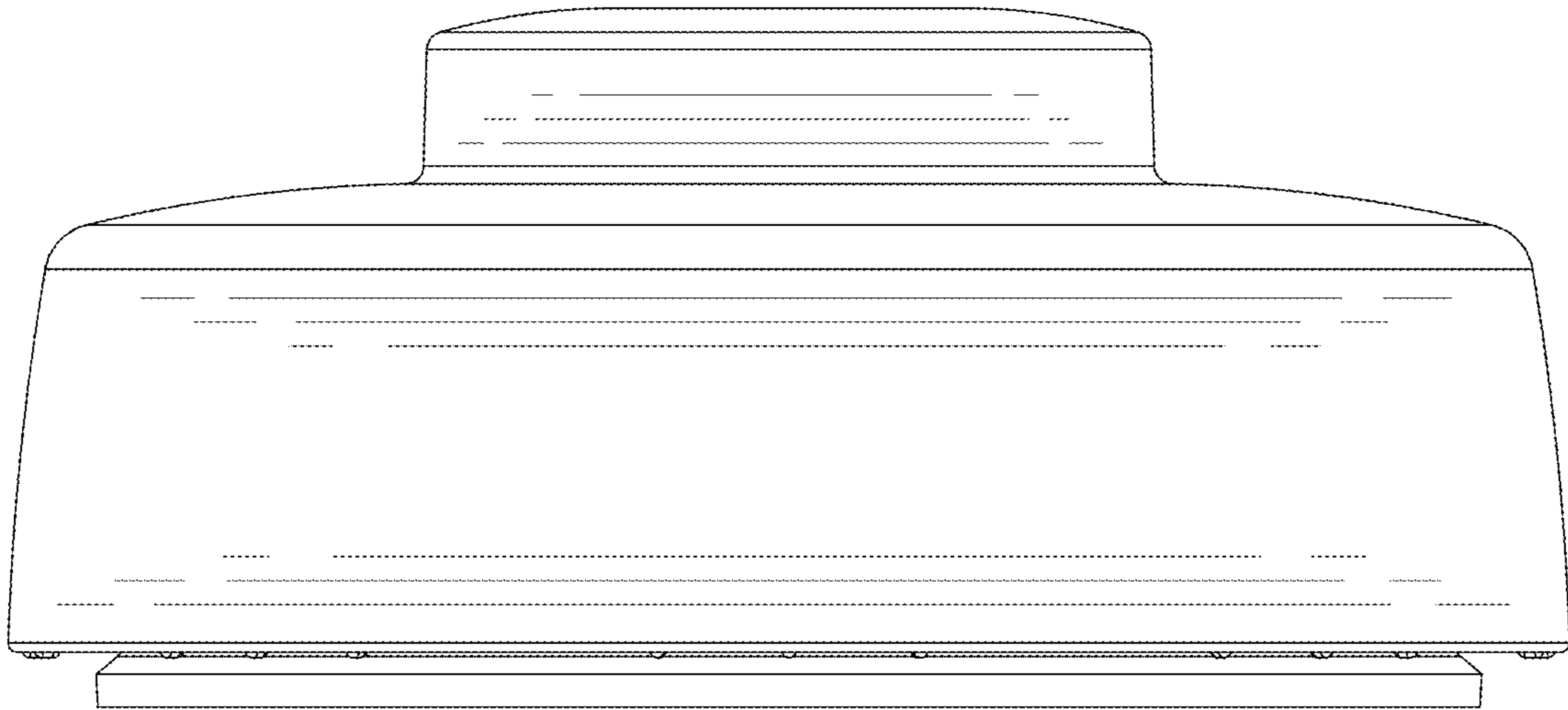


FIG. 4

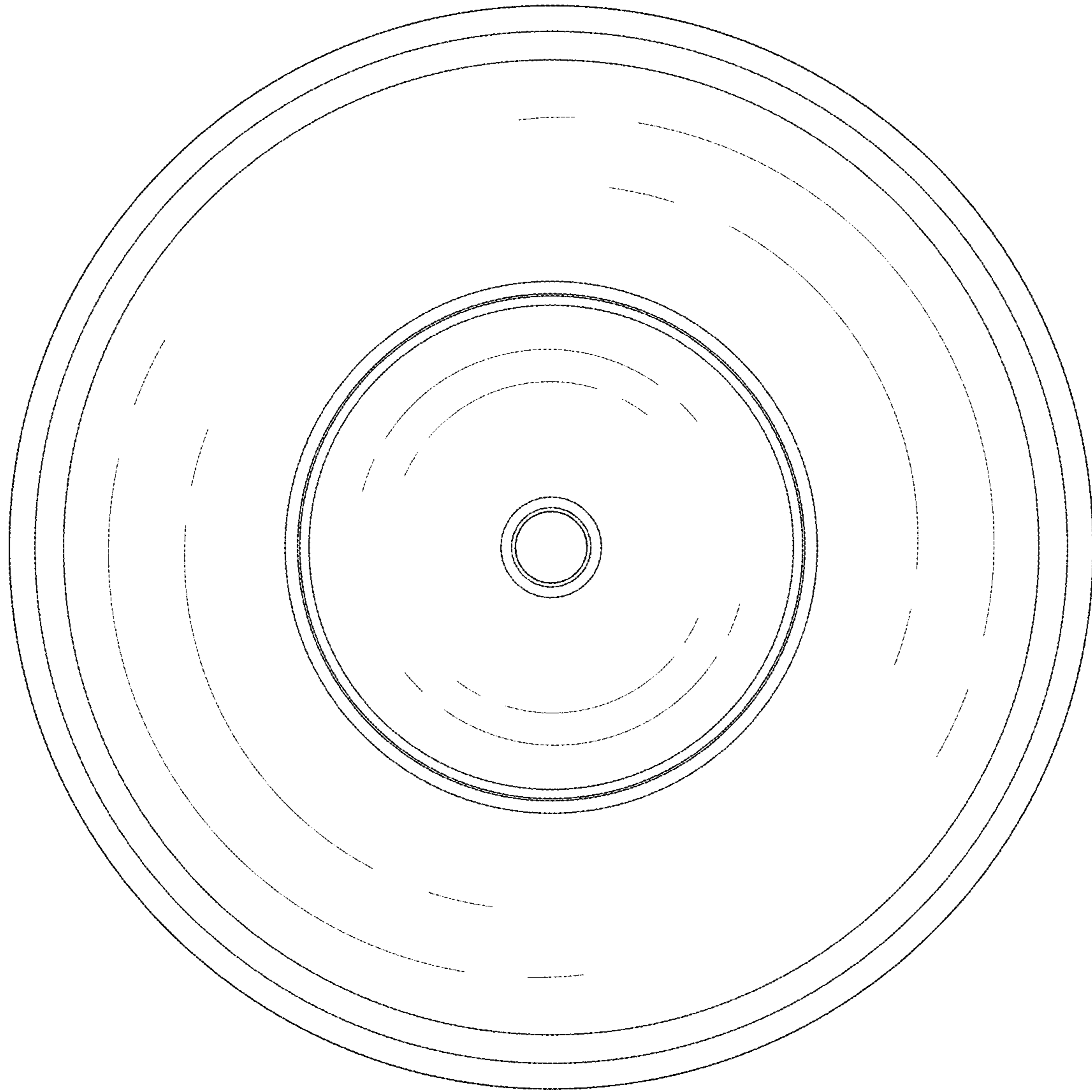


FIG. 5

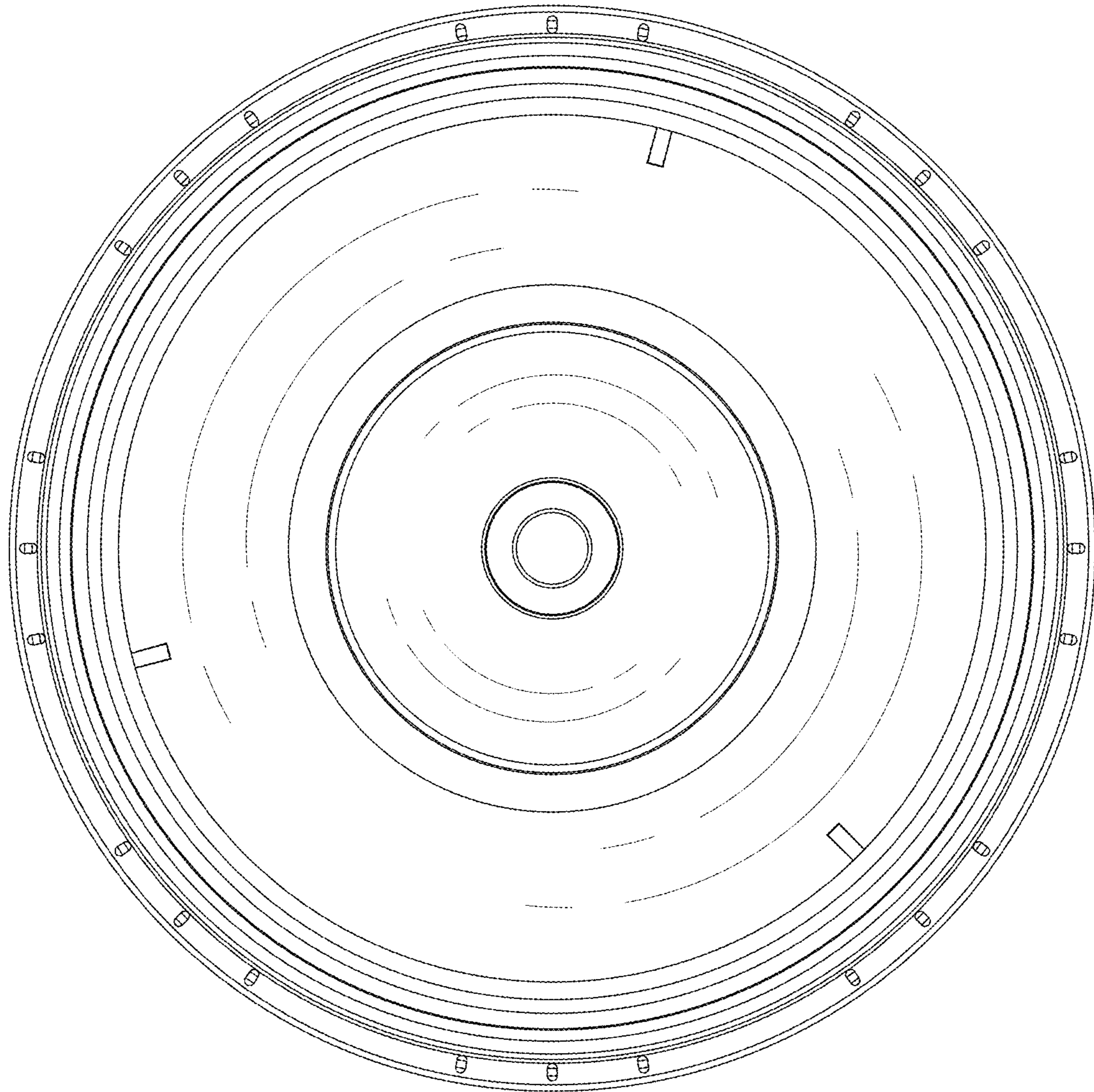


FIG. 6

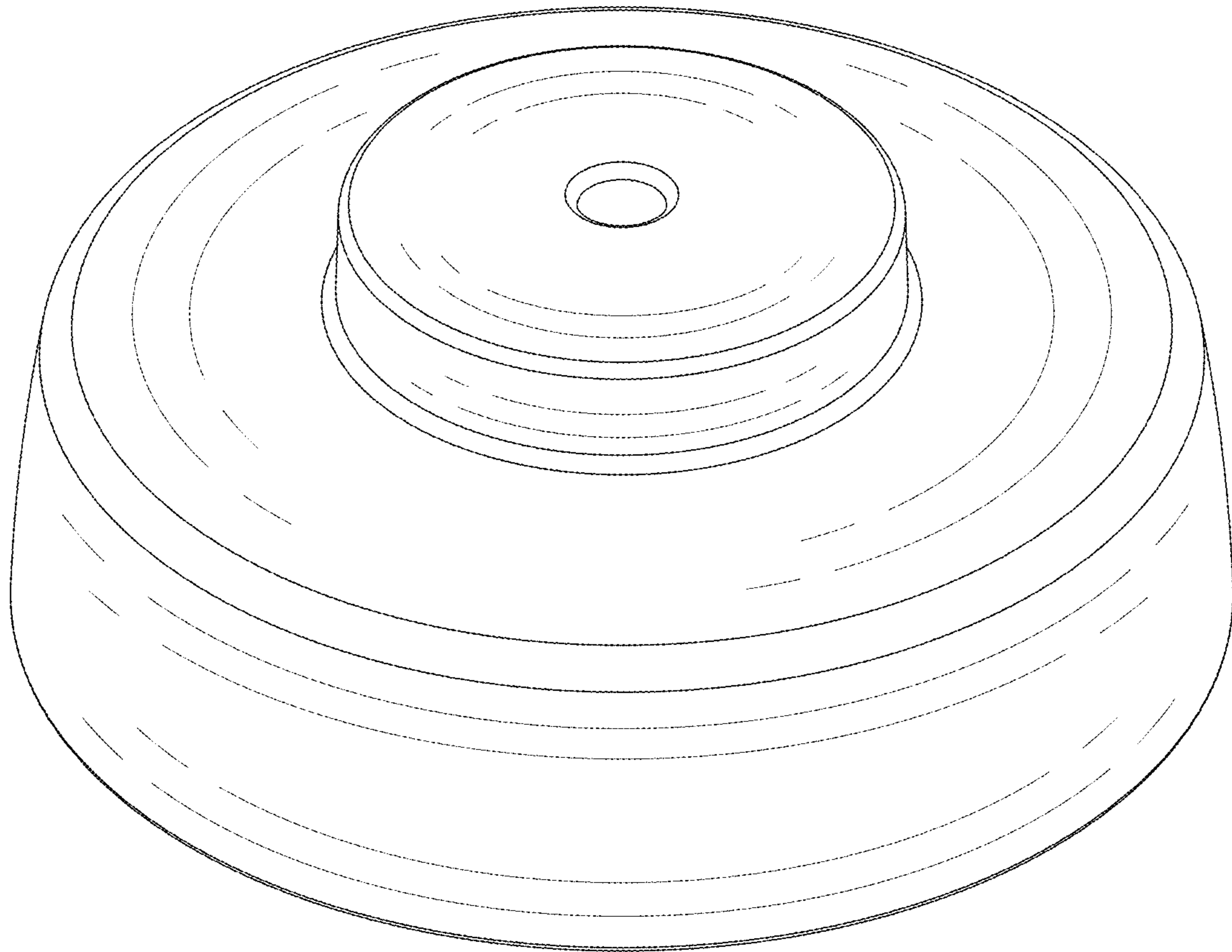


FIG. 7

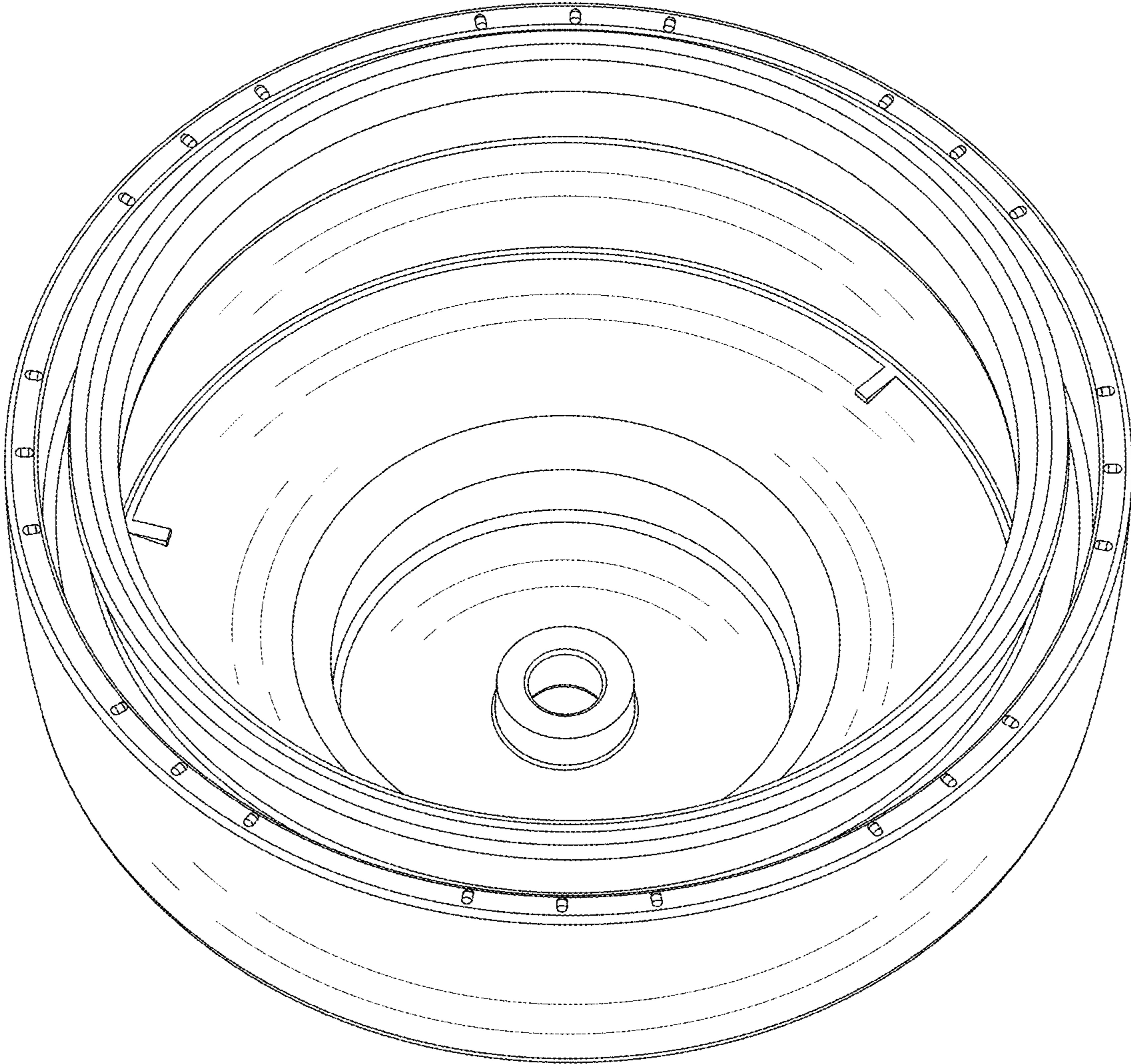


FIG. 8