

US00D972361S

(12) **United States Design Patent** (10) **Patent No.:** **US D972,361 S**  
**Yao** (45) **Date of Patent:** **\*\* Dec. 13, 2022**

(54) **ALUMINUM FOIL PAN**  
(71) Applicant: **Kong Yao**, Anqing (CN)  
(72) Inventor: **Kong Yao**, Anqing (CN)  
(\*\*) Term: **15 Years**  
(21) Appl. No.: **29/848,773**  
(22) Filed: **Aug. 5, 2022**  
(51) **LOC (13) Cl.** ..... **07-02**  
(52) **U.S. Cl.**  
USPC ..... **D7/359; D7/354**  
(58) **Field of Classification Search**  
USPC ..... D7/323, 354-361, 543, 545, 549, 550.1,  
D7/553.1-553.8, 554.1-554.4, 555, 584,  
D7/586; D9/425, 430-433, 455-456,  
D9/737, 756-762  
CPC .... A21B 3/00; A21B 3/13; A21B 3/15; A21B  
3/134; A21B 5/00; A21B 5/02; A47G  
23/0633; A47J 36/022; A47J 36/025;  
A47J 36/027; A47J 36/2405; A47J 37/00;  
A47J 37/04; B65D 1/22; B65D 1/24;  
B65D 1/34;

(Continued)

(56) **References Cited**

**U.S. PATENT DOCUMENTS**

D194,334 S \* 1/1963 Collins ..... D9/425  
D267,221 S \* 12/1982 Williams ..... 426/523  
D392,884 S \* 3/1998 Hayes ..... D9/431

(Continued)

**OTHER PUBLICATIONS**

Uxcell 12.4" x8.5" Aluminum Foil Pans. Date First Available on Amazon.com Jun. 1, 2022. <https://www.amazon.com/dp/B0B2VYZ45N/ref> (Year: 2022).\*

*Primary Examiner* — Ricky Pham

(74) *Attorney, Agent, or Firm* — Runit Ranjit Kanakia

(57) **CLAIM**

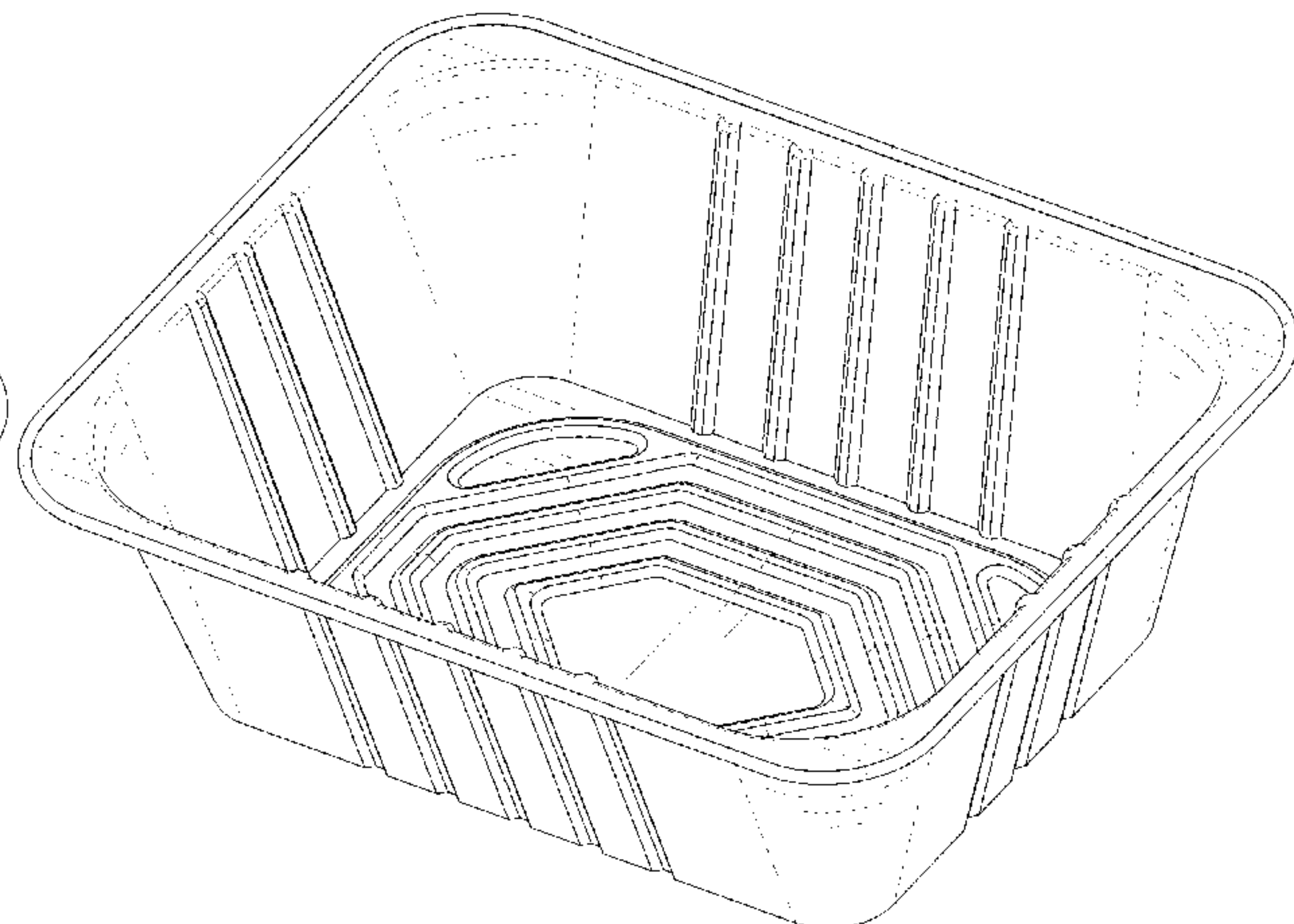
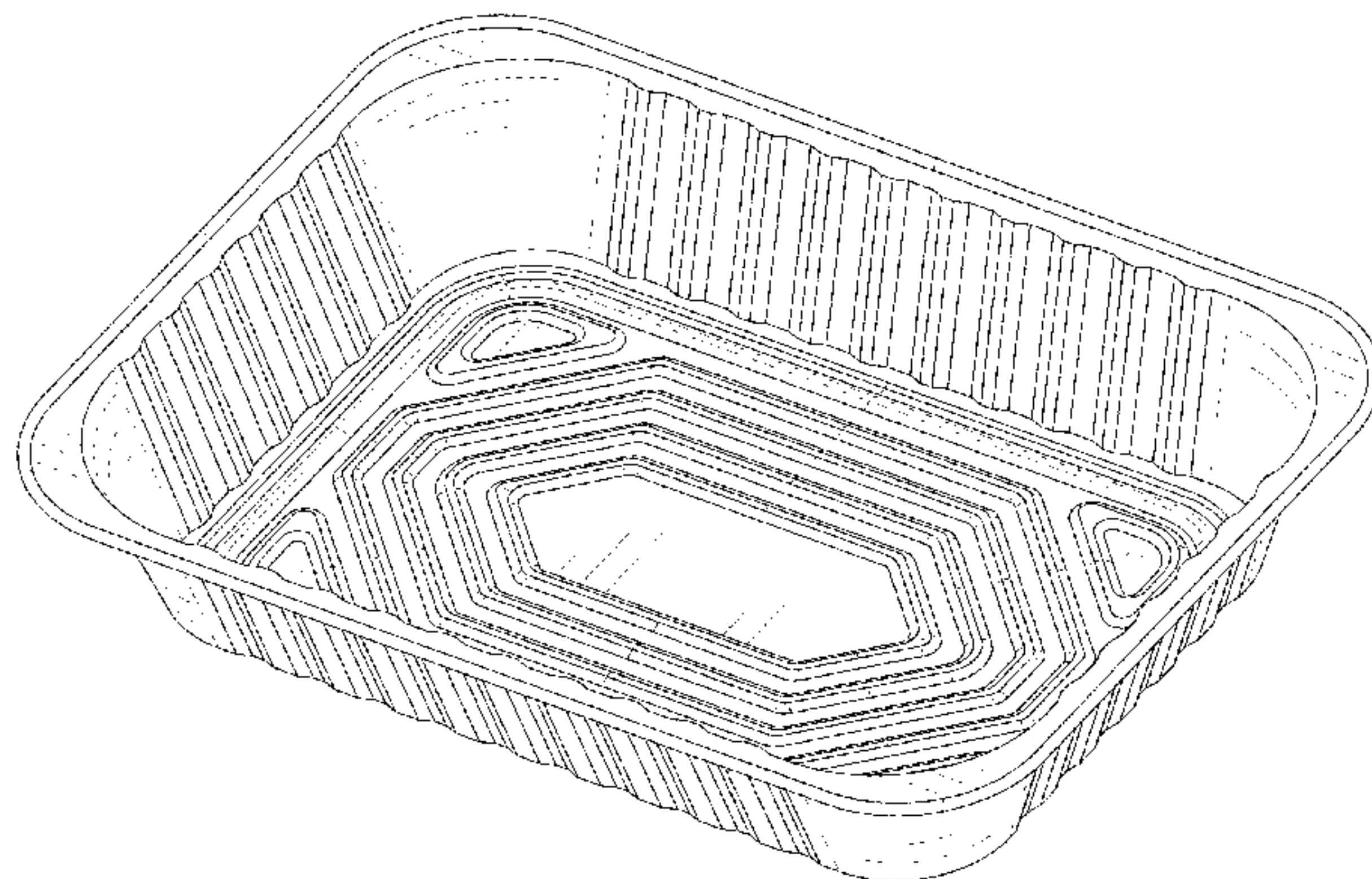
The ornamental design for a aluminum foil pan, as shown and described.

**DESCRIPTION**

FIG. 1 is a perspective view of a aluminum foil pan, showing the first embodiment of my new design;

FIG. 2 is another perspective view thereof;  
FIG. 3 is a front elevational view thereof, the rear elevational view is identical;  
FIG. 4 is a left side view thereof, the right side view is identical;  
FIG. 5 is a top plan view thereof;  
FIG. 6 is a bottom plan view thereof;  
FIG. 7 is a perspective view of a aluminum foil pan, showing the second embodiment of my new design;  
FIG. 8 is another perspective view thereof;  
FIG. 9 is a front elevational view thereof, the rear elevational view is identical;  
FIG. 10 is a left side view thereof, the right side view is identical;  
FIG. 11 is a top plan view thereof;  
FIG. 12 is a bottom plan view thereof;  
FIG. 13 is a perspective view of a aluminum foil pan, showing the third embodiment of my new design;  
FIG. 14 is another perspective view thereof;  
FIG. 15 is a front elevational view thereof, the rear elevational view is identical;  
FIG. 16 is a left side view thereof, the right side view is identical;  
FIG. 17 is a top plan view thereof;  
FIG. 18 is a bottom plan view thereof;  
FIG. 19 is a perspective view of a aluminum foil pan, showing the fourth embodiment of my new design;  
FIG. 20 is another perspective view thereof;  
FIG. 21 is a front elevational view thereof, the rear elevational view is identical;  
FIG. 22 is a left side view thereof, the right side view is identical;  
FIG. 23 is a top plan view thereof; and,  
FIG. 24 is a bottom plan view thereof.

**1 Claim, 21 Drawing Sheets**



(58) **Field of Classification Search**

CPC ... B65D 1/36; B65D 77/2008; B65D 81/343;  
B65D 85/36

See application file for complete search history.

(56) **References Cited**

U.S. PATENT DOCUMENTS

6,149,053 A \* 11/2000 Chatterton ..... B65D 1/34  
229/407  
D502,045 S \* 2/2005 Isler ..... D7/354  
D562,154 S \* 2/2008 Pelletier ..... D9/425  
D653,901 S 2/2012 Sarnoff  
D657,617 S 4/2012 Sarnoff  
D663,570 S 7/2012 Sarnoff  
D668,909 S 10/2012 Sarnoff  
D668,910 S 10/2012 Sarnoff  
D687,704 S \* 8/2013 Knight ..... D9/425  
D766,647 S 9/2016 Calkins  
D766,648 S 9/2016 Calkins  
9,510,699 B1 \* 12/2016 Miller ..... A47G 23/0633  
D800,492 S \* 10/2017 Sarnoff ..... D7/354  
D839,656 S 2/2019 Patel  
D904,183 S \* 12/2020 Bontrager ..... D9/425  
D906,753 S 1/2021 Sarnoff  
D931,035 S \* 9/2021 Sarnoff ..... D7/359  
D931,953 S 9/2021 Kuka  
2015/0136633 A1 \* 5/2015 Sarnoff ..... A47J 36/2405  
206/499  
2020/0268206 A1 \* 8/2020 Sarnoff ..... B65D 77/2008

\* cited by examiner



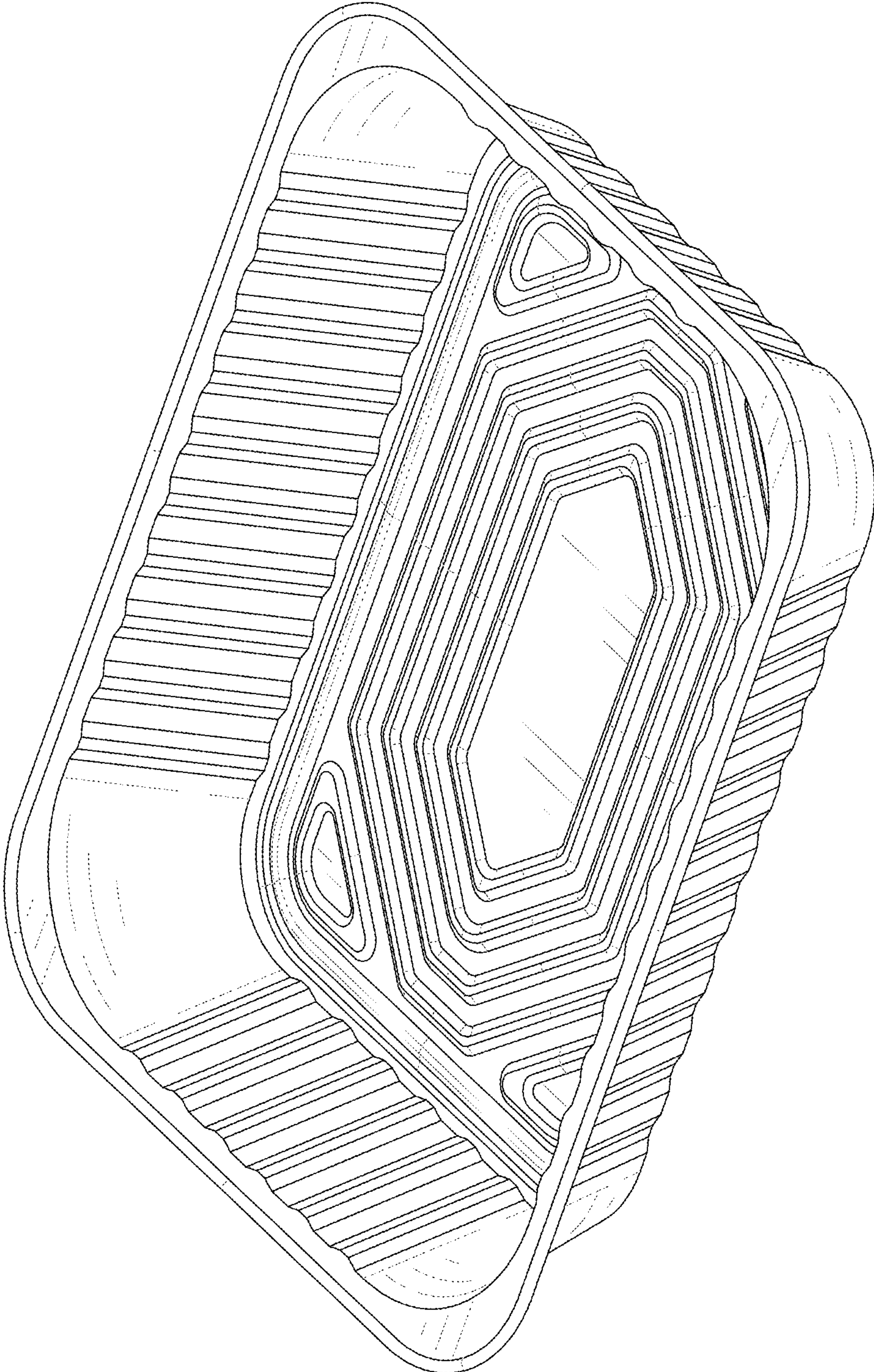


FIG. 1

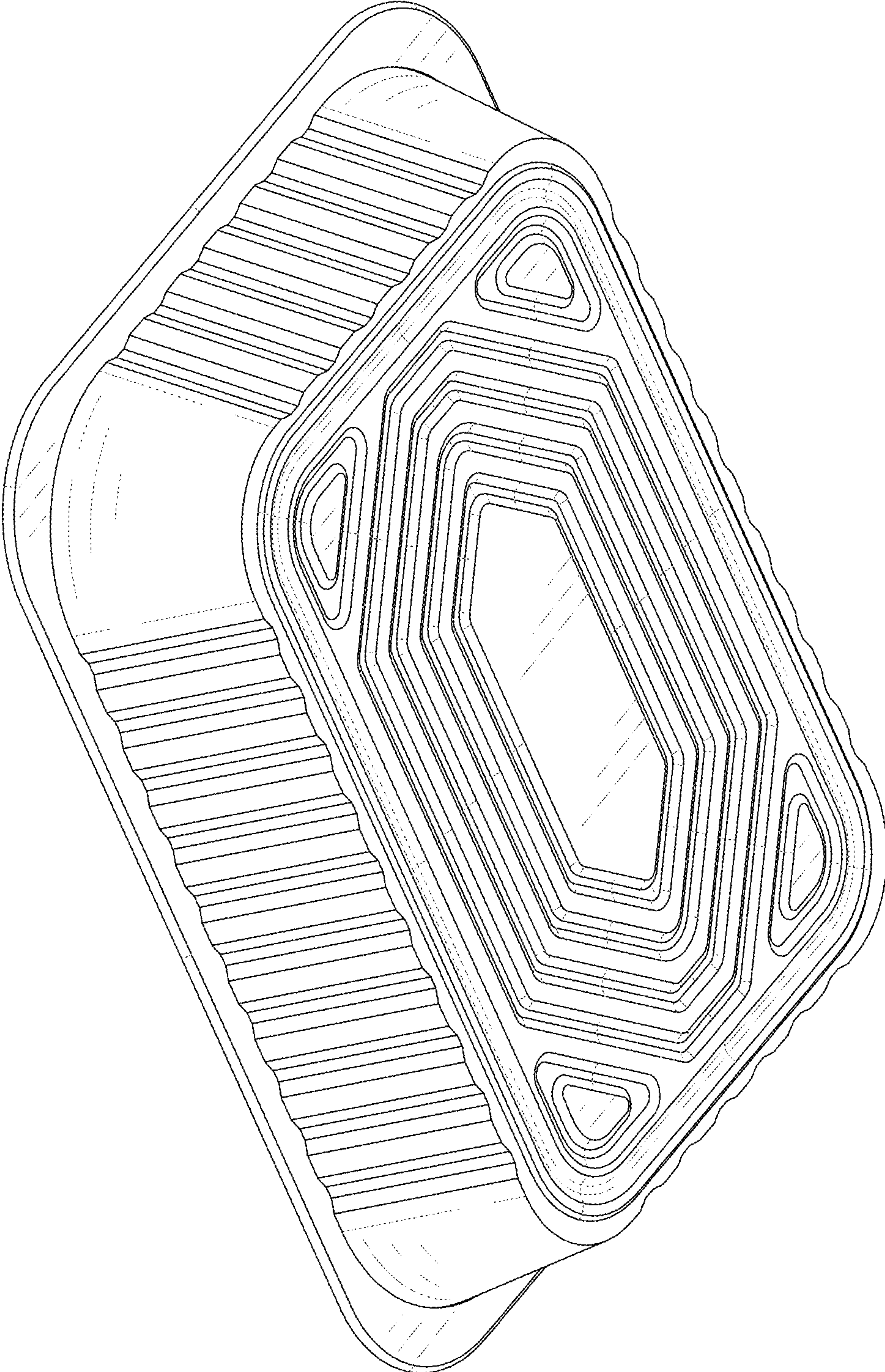
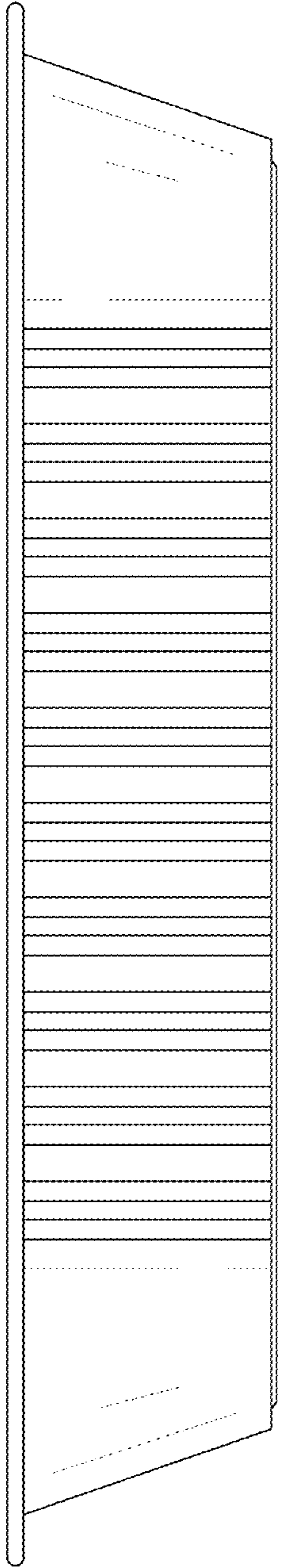
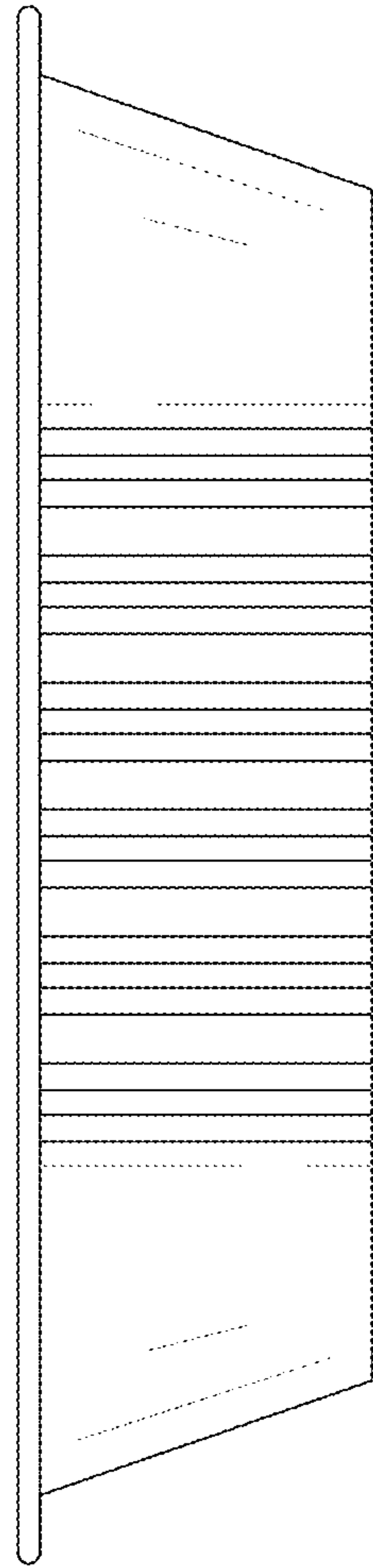


FIG. 2

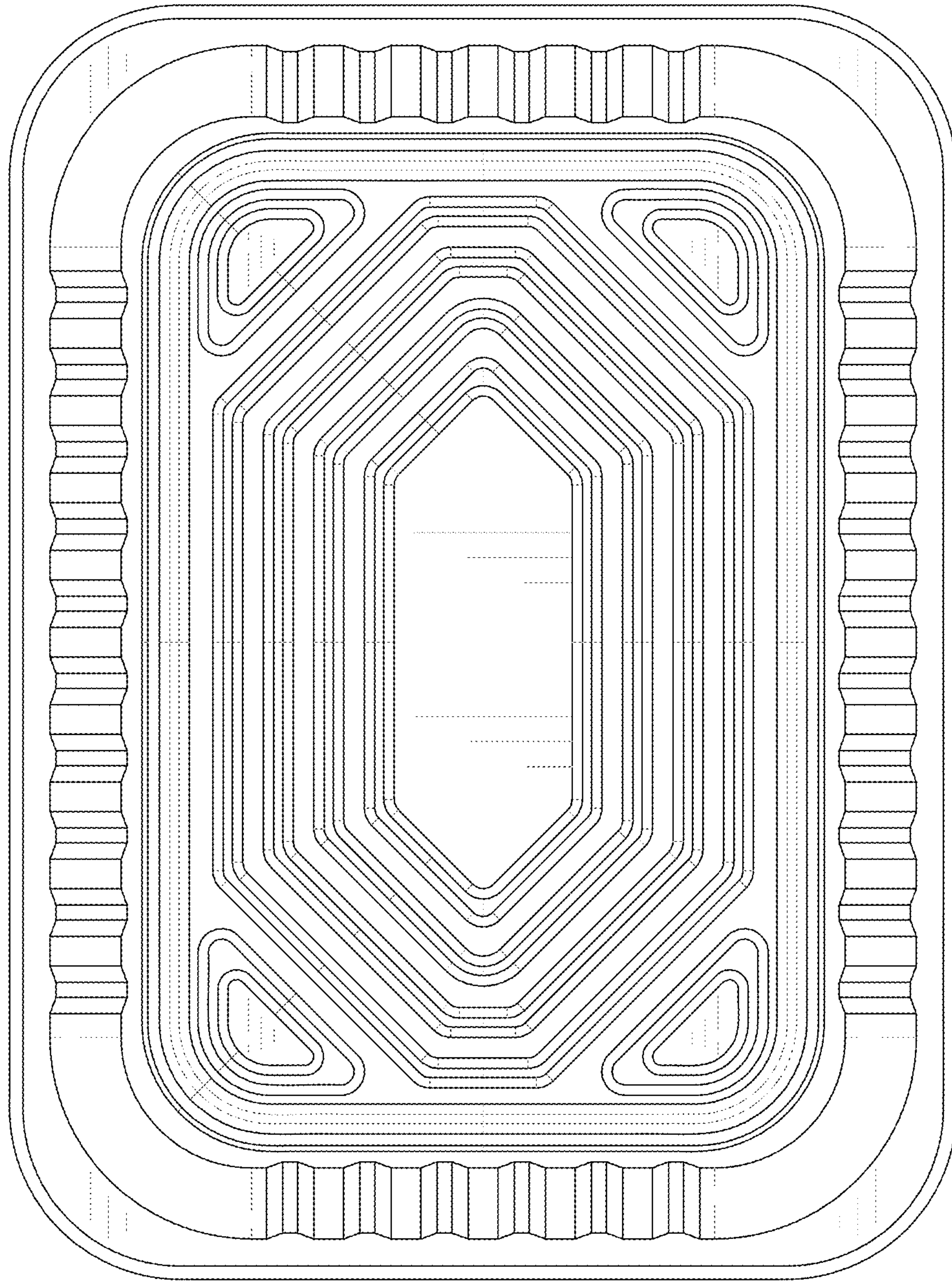


**FIG. 3**

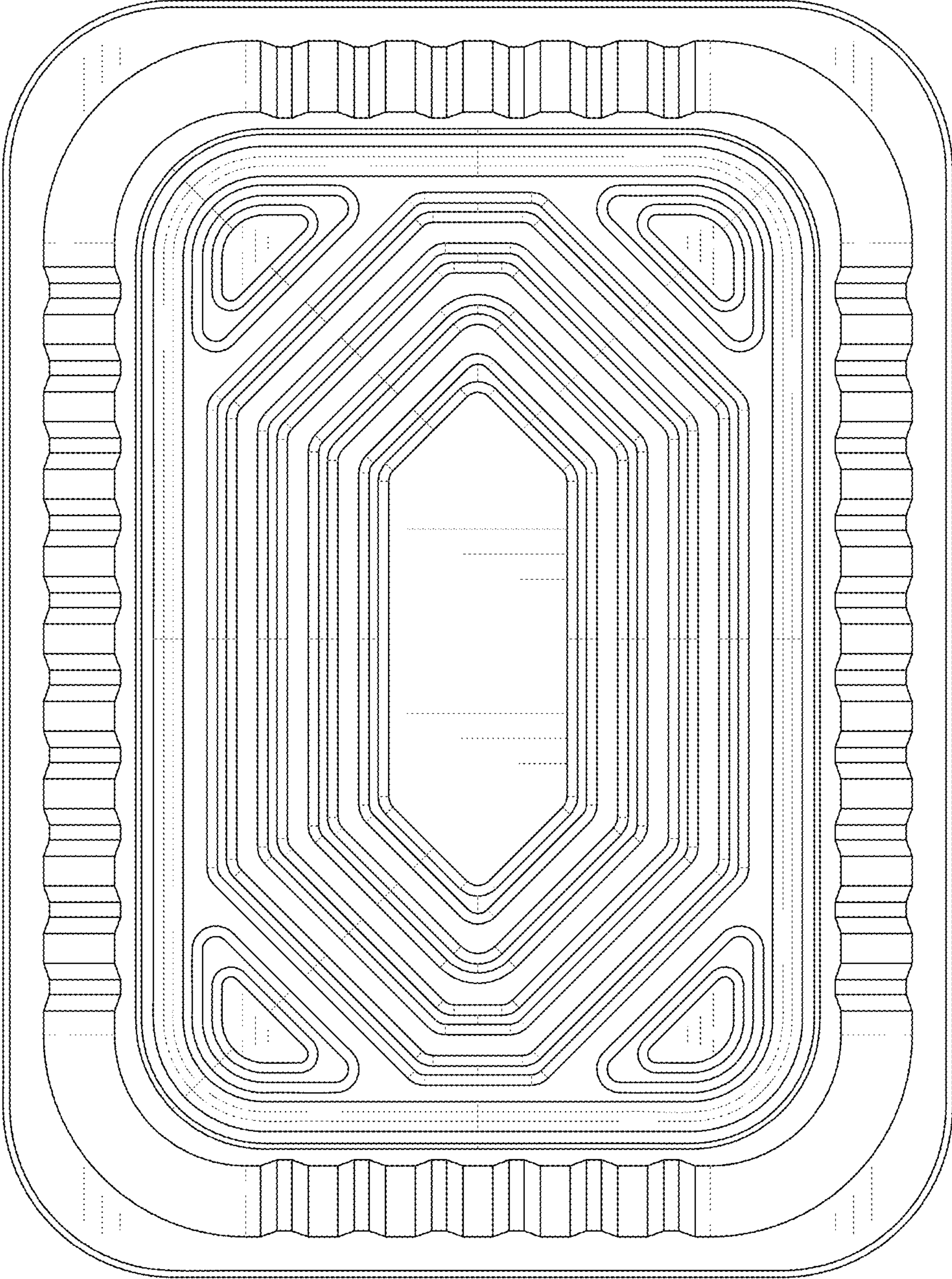


**FIG. 4**





**FIG. 5**



**FIG. 6**



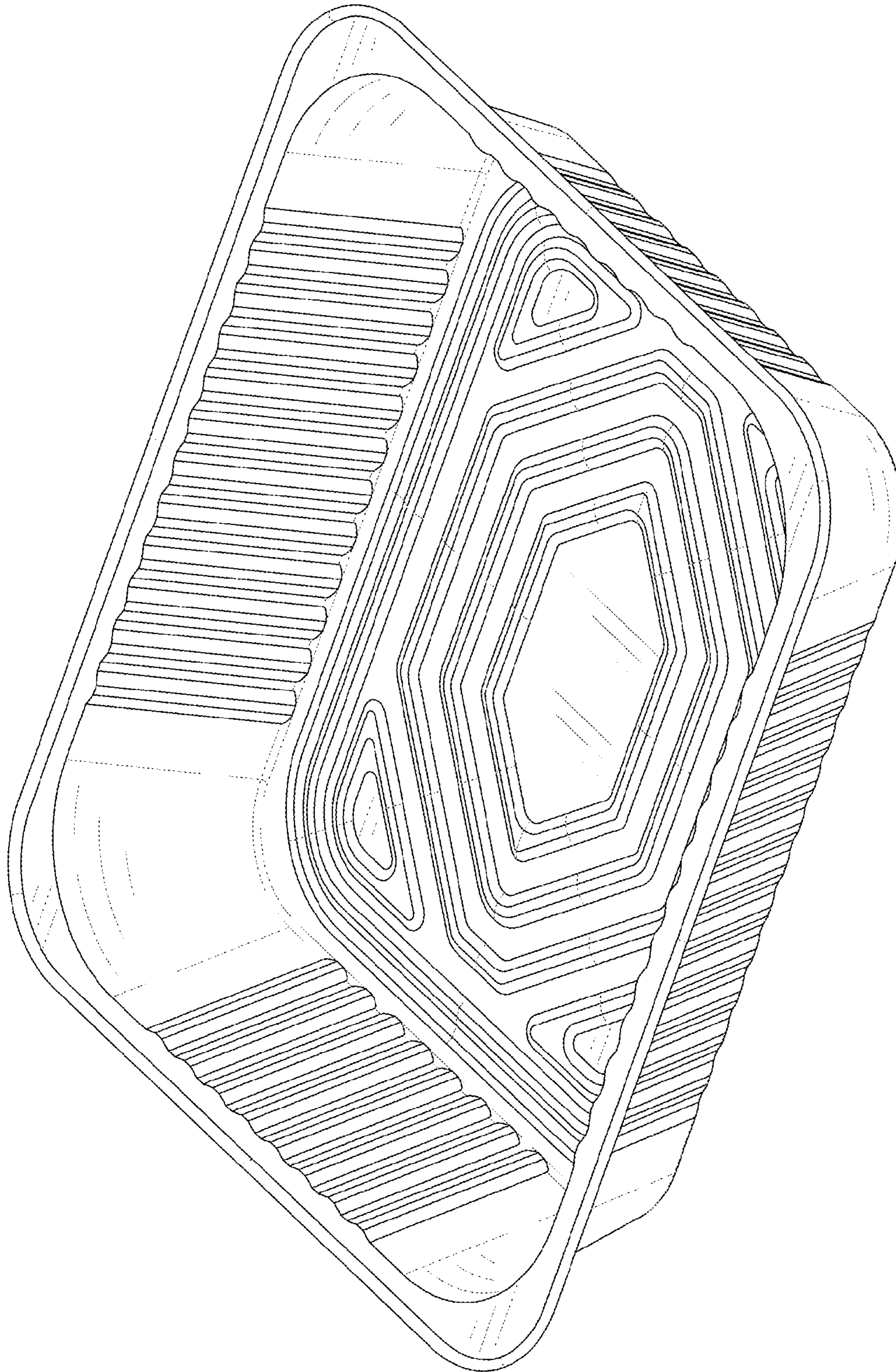


FIG. 7



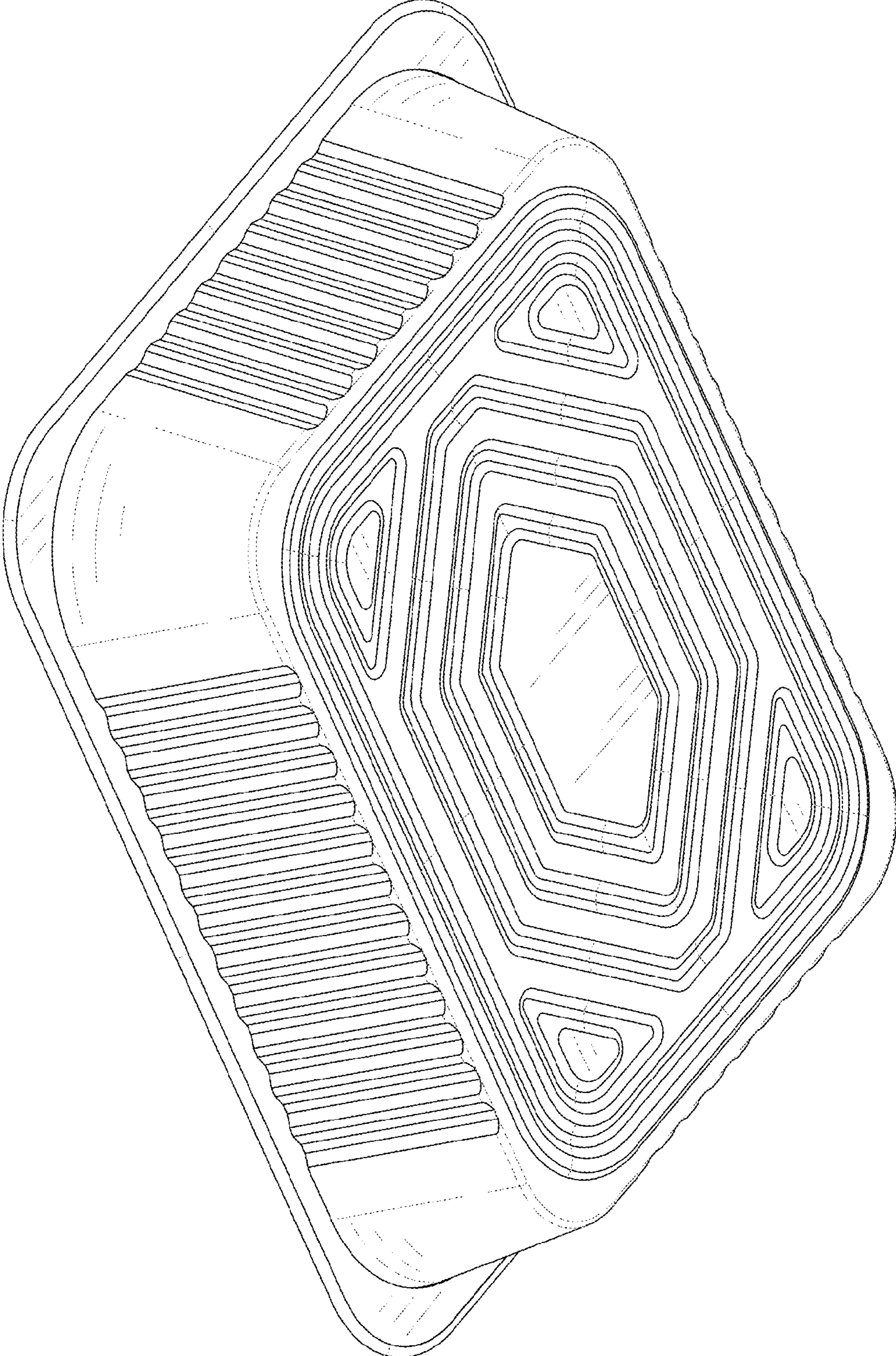
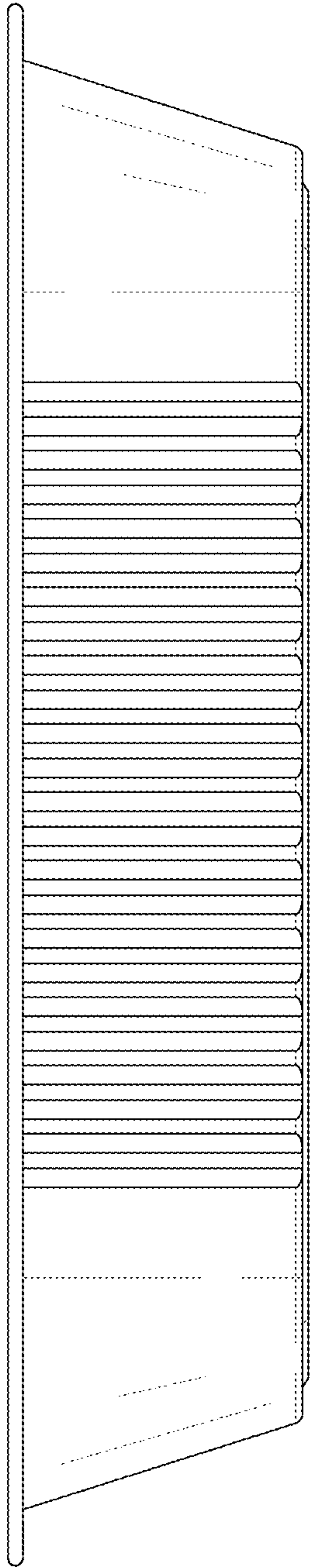
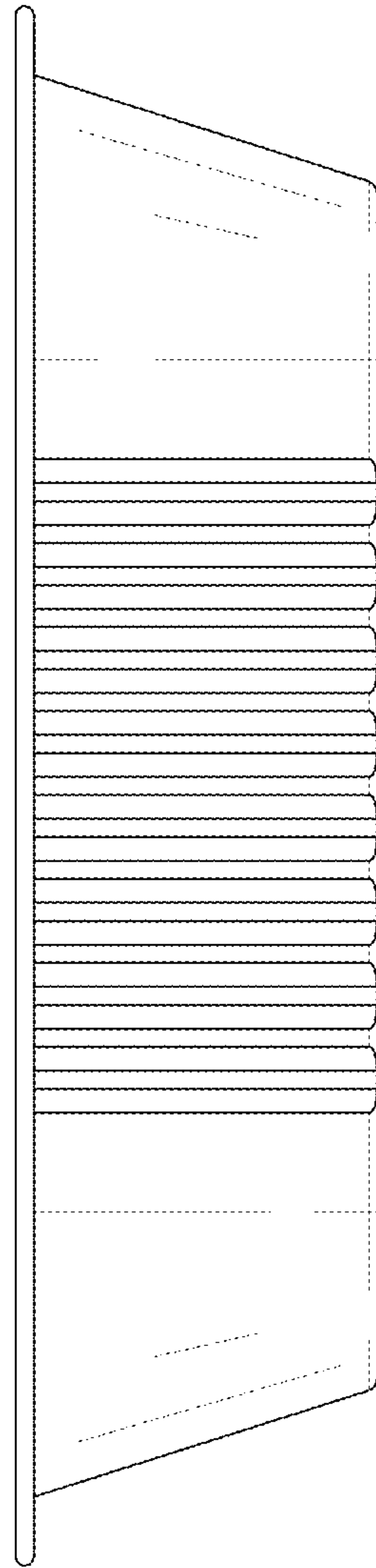


FIG. 8

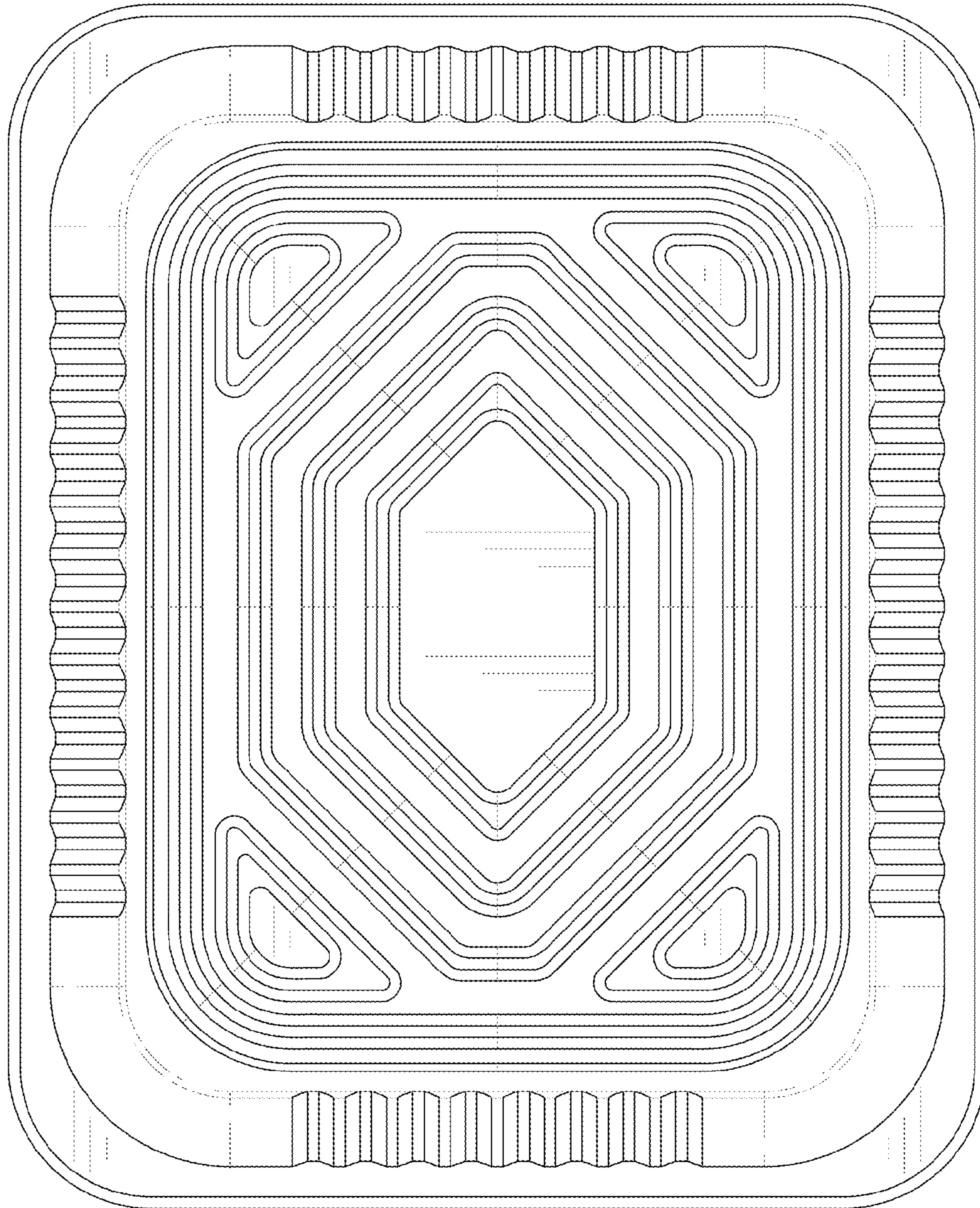


**FIG. 9**

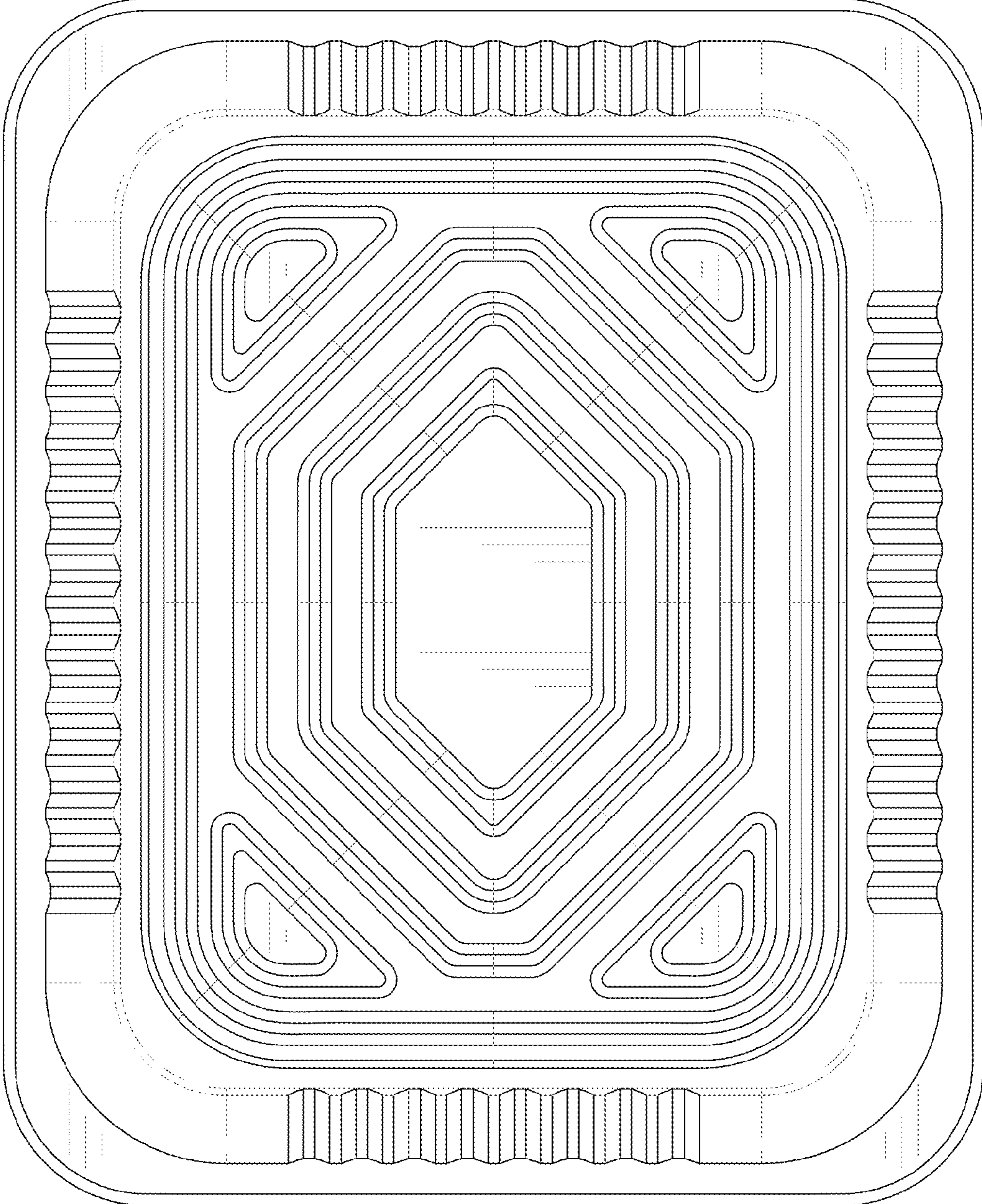


**FIG. 10**





**FIG. 11**



**FIG. 12**



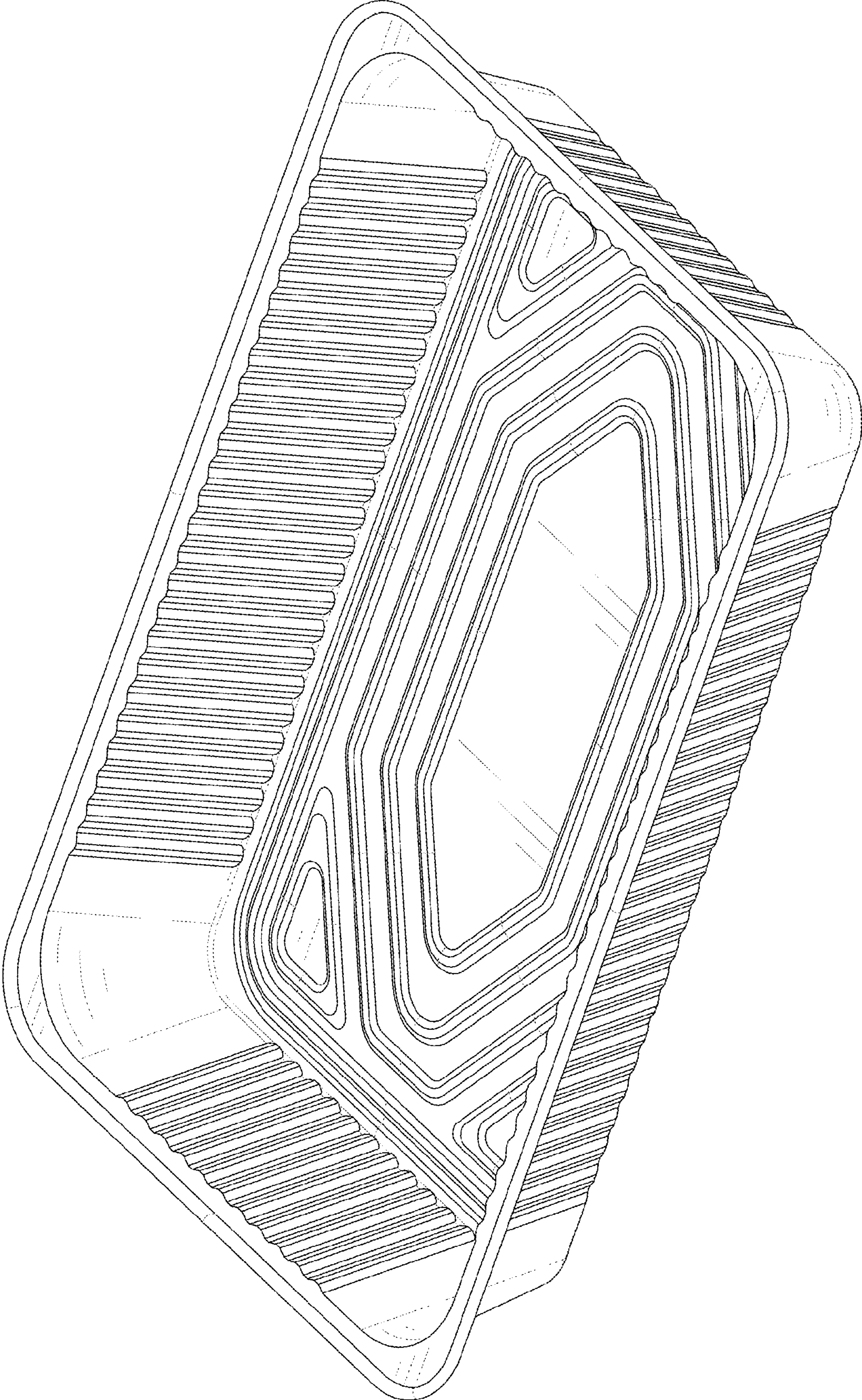
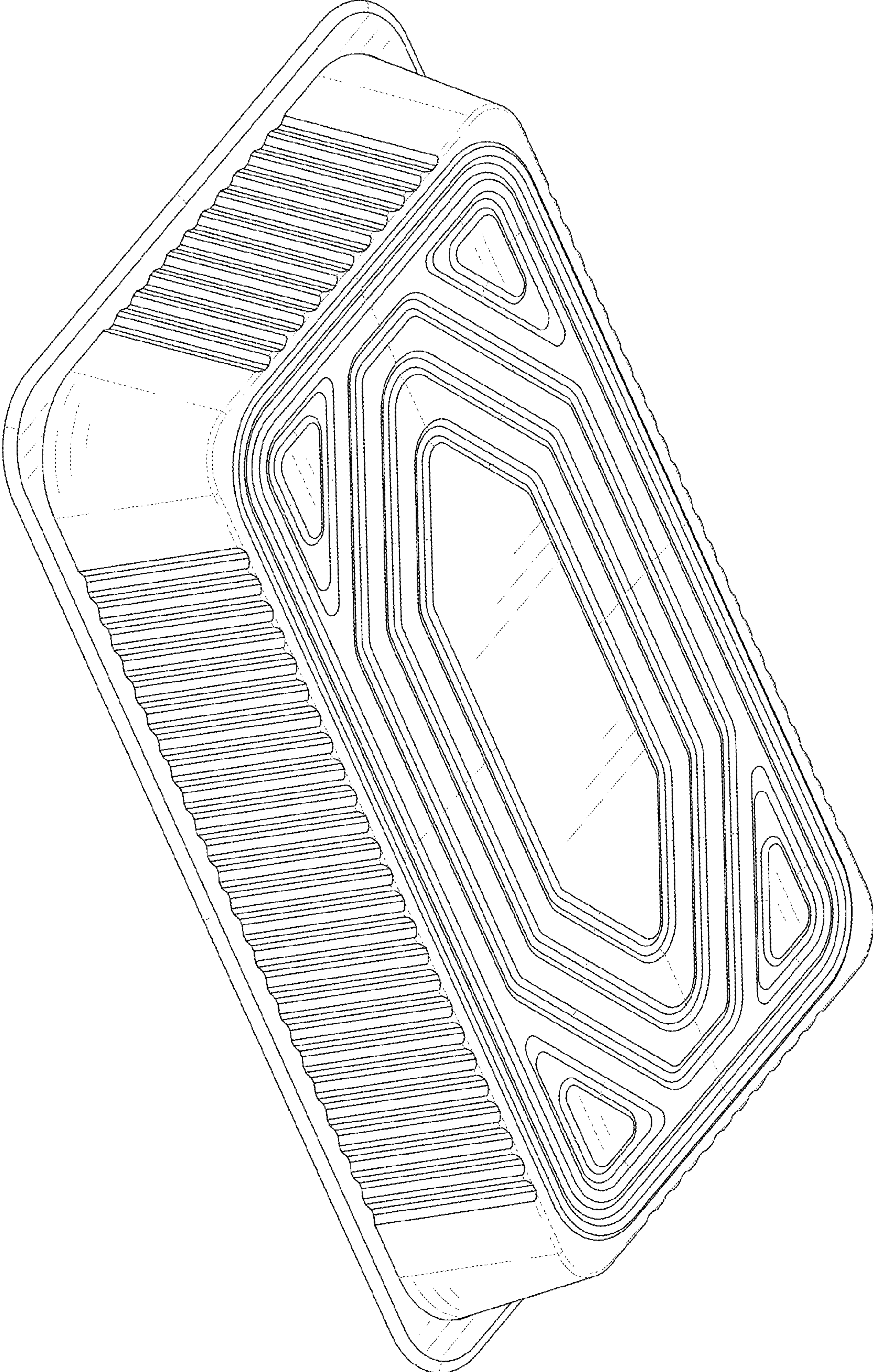


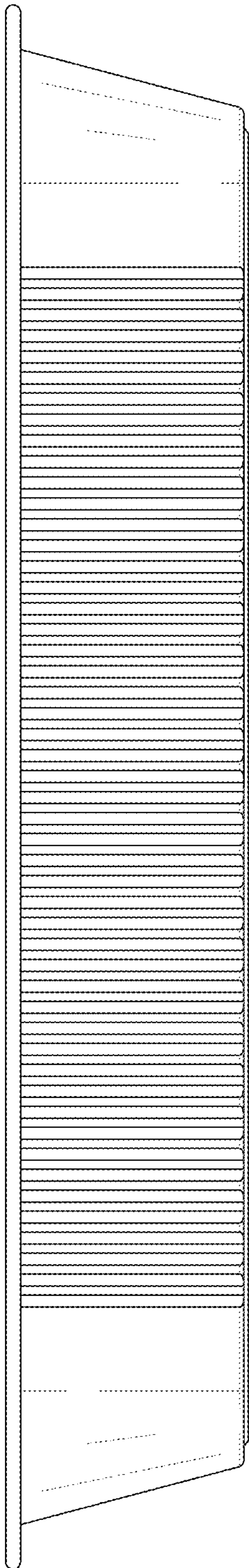
FIG. 13



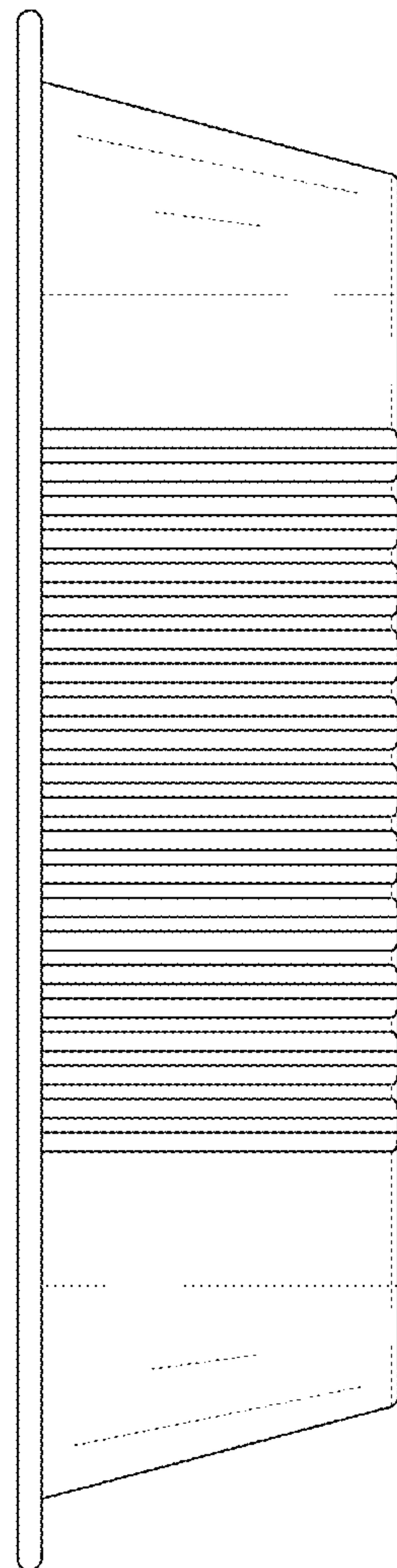


**FIG. 14**

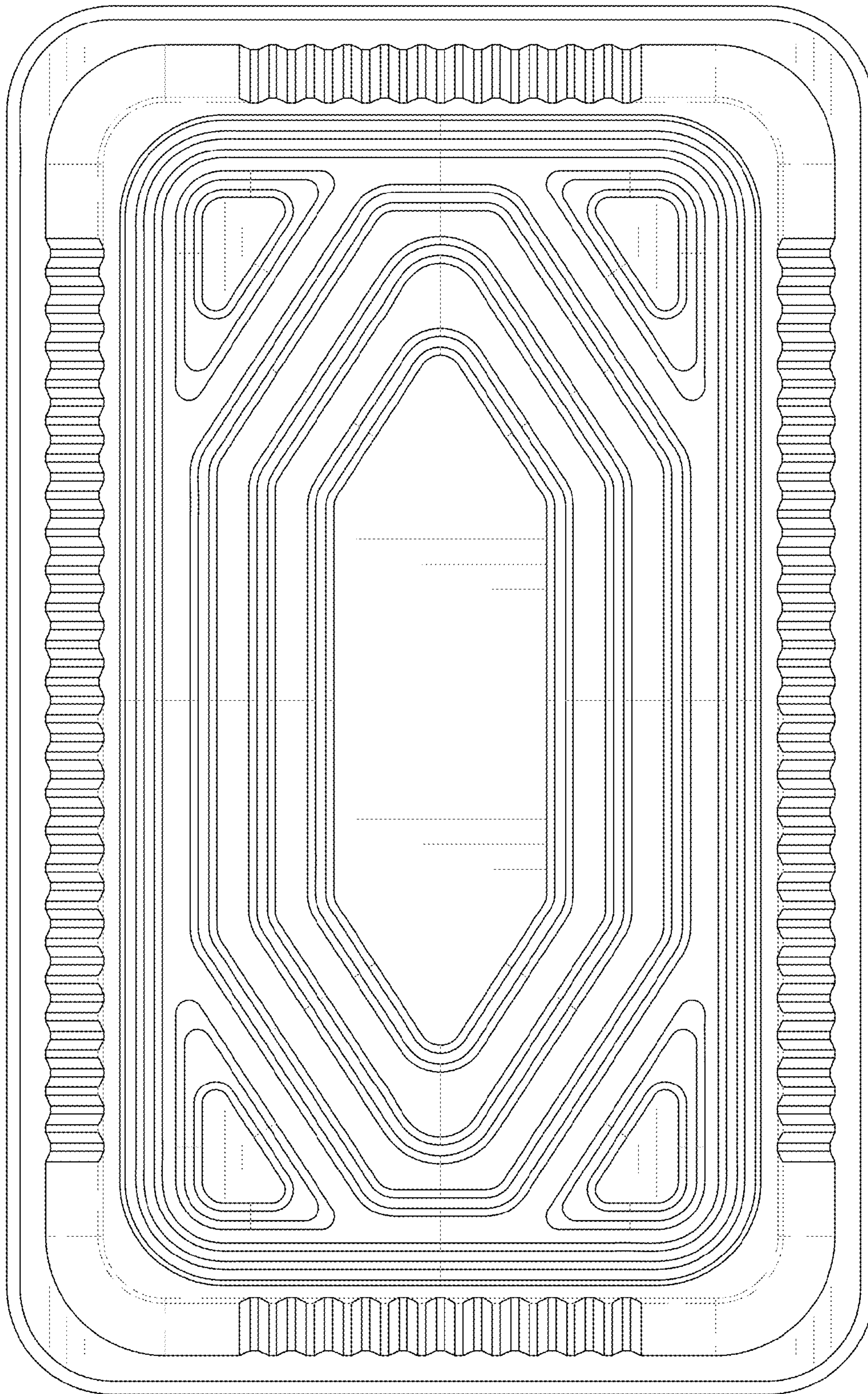




**FIG. 15**

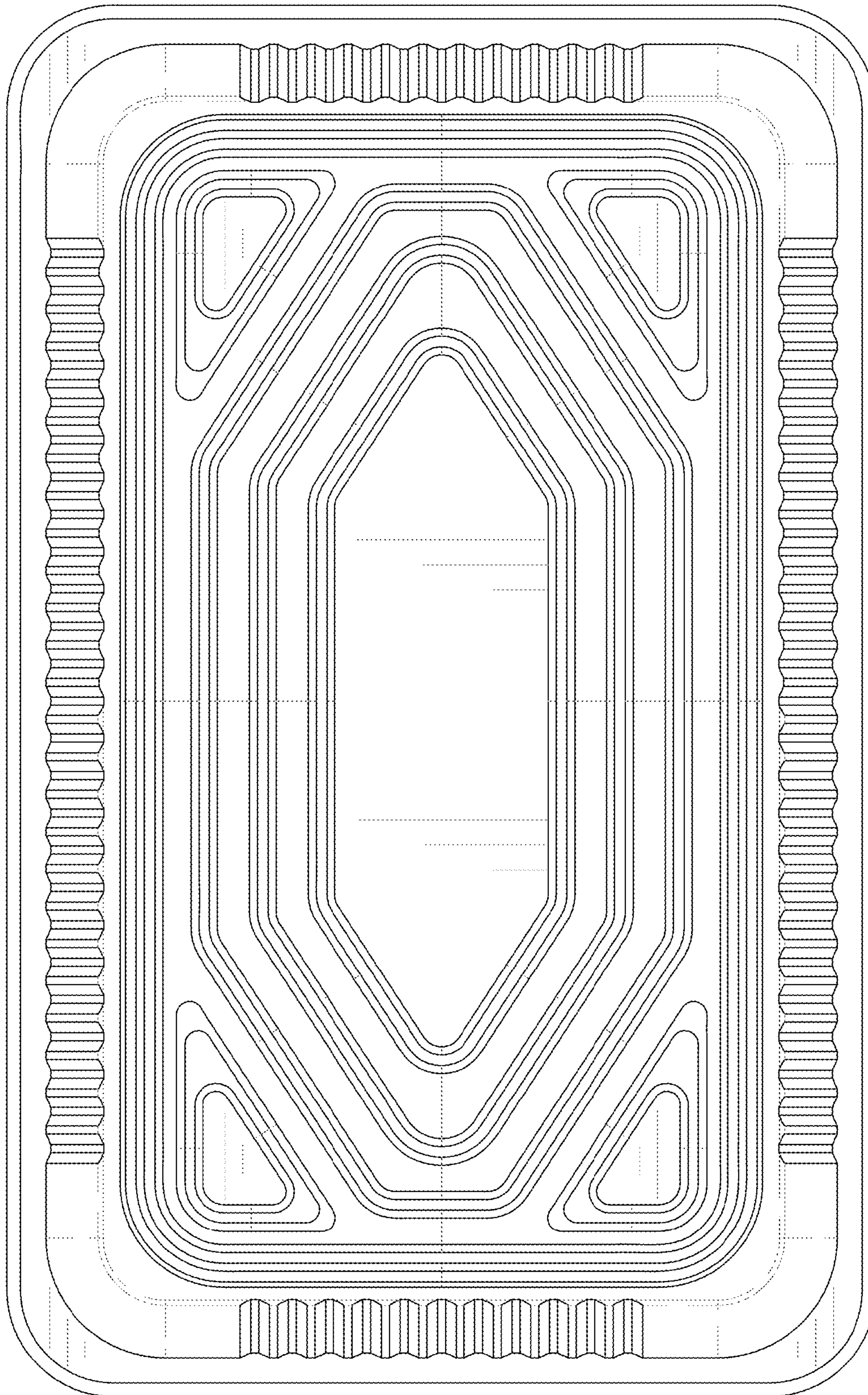


**FIG. 16**



**FIG. 17**





**FIG. 18**

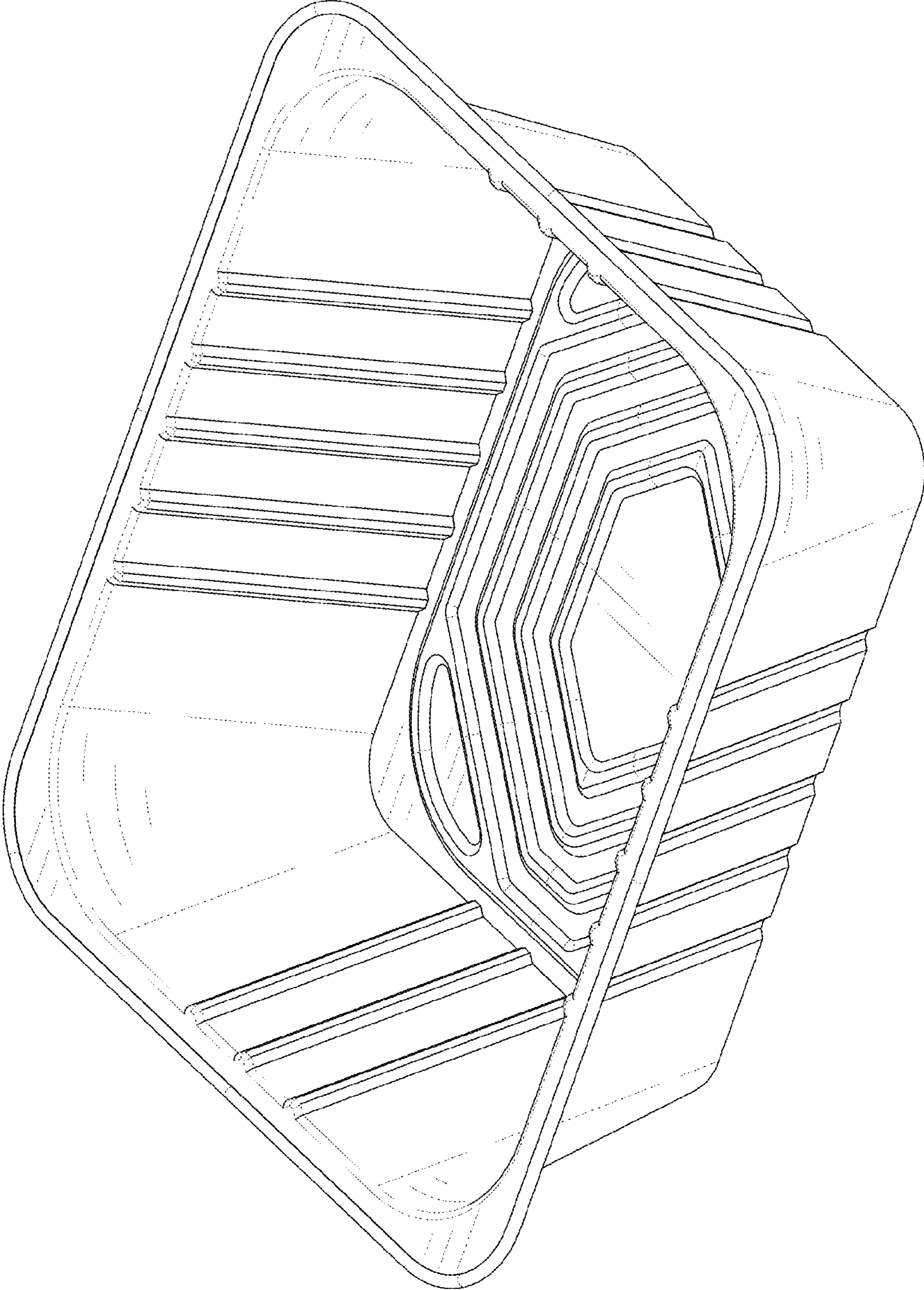


FIG. 19



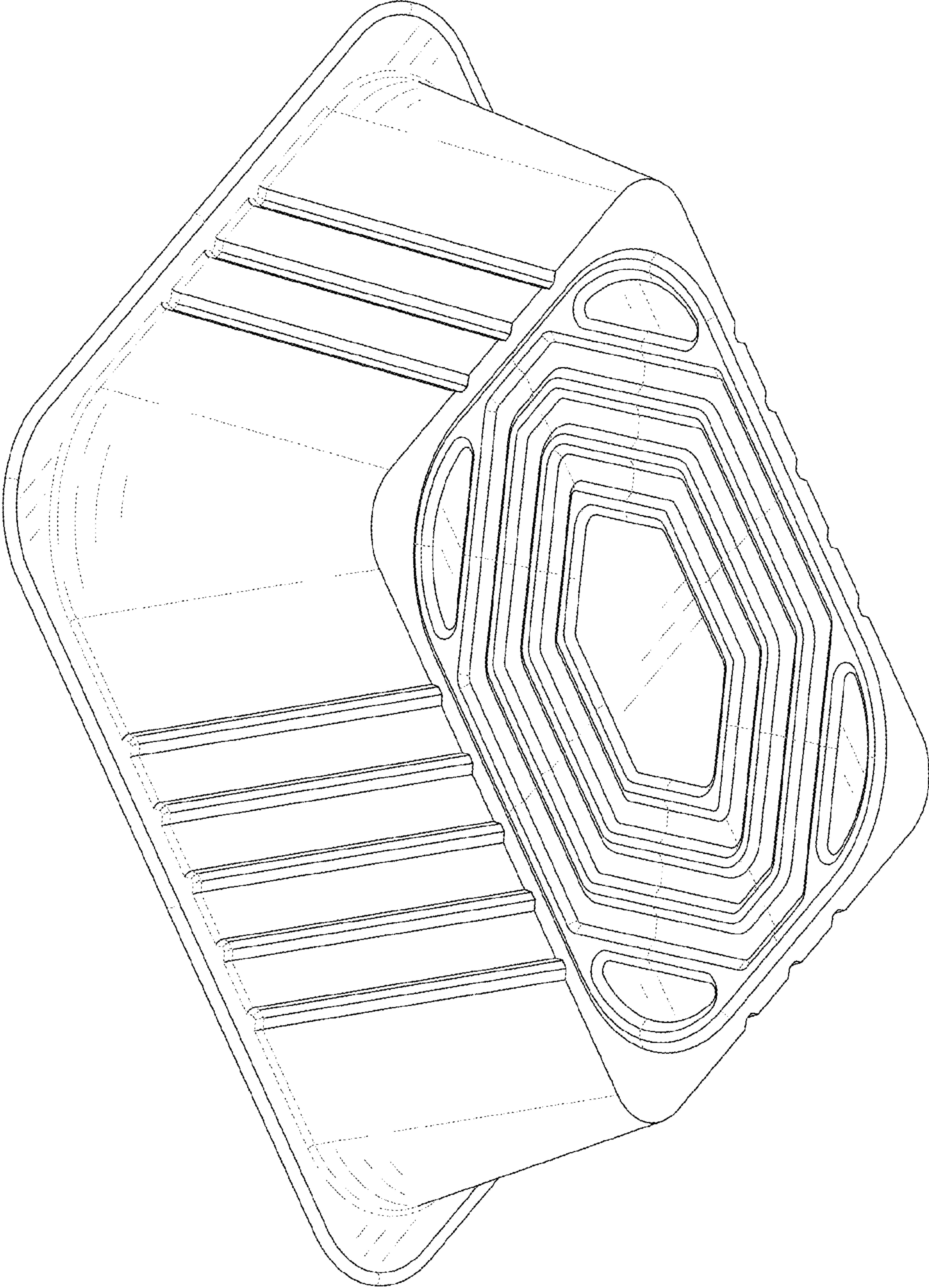


FIG. 20

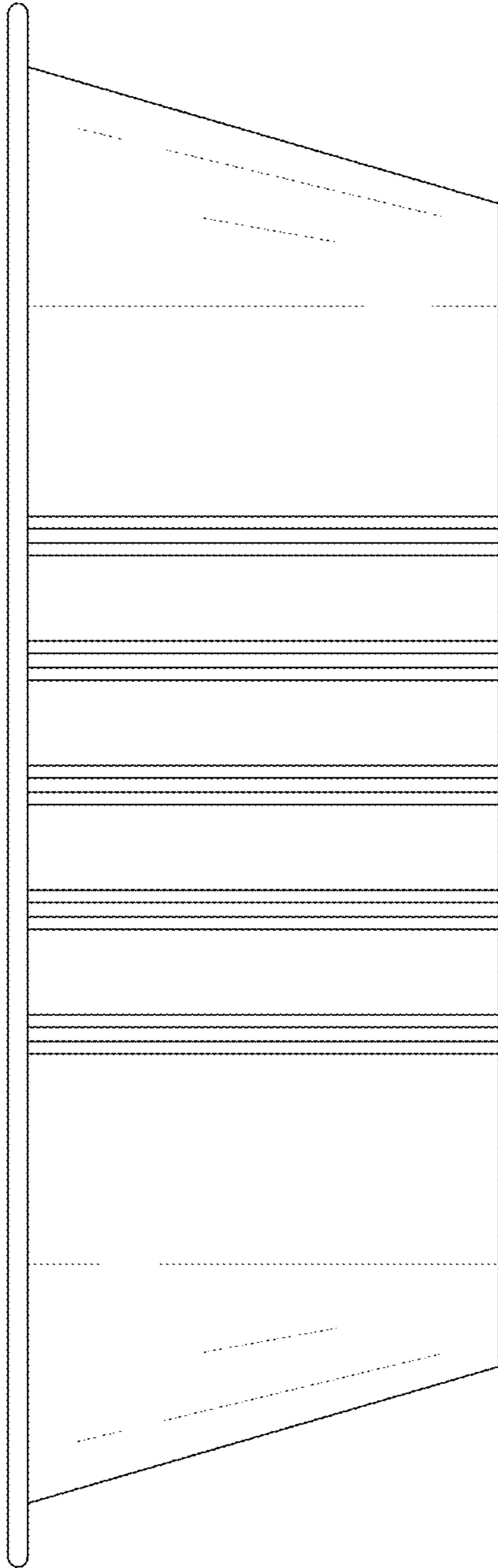


FIG. 21



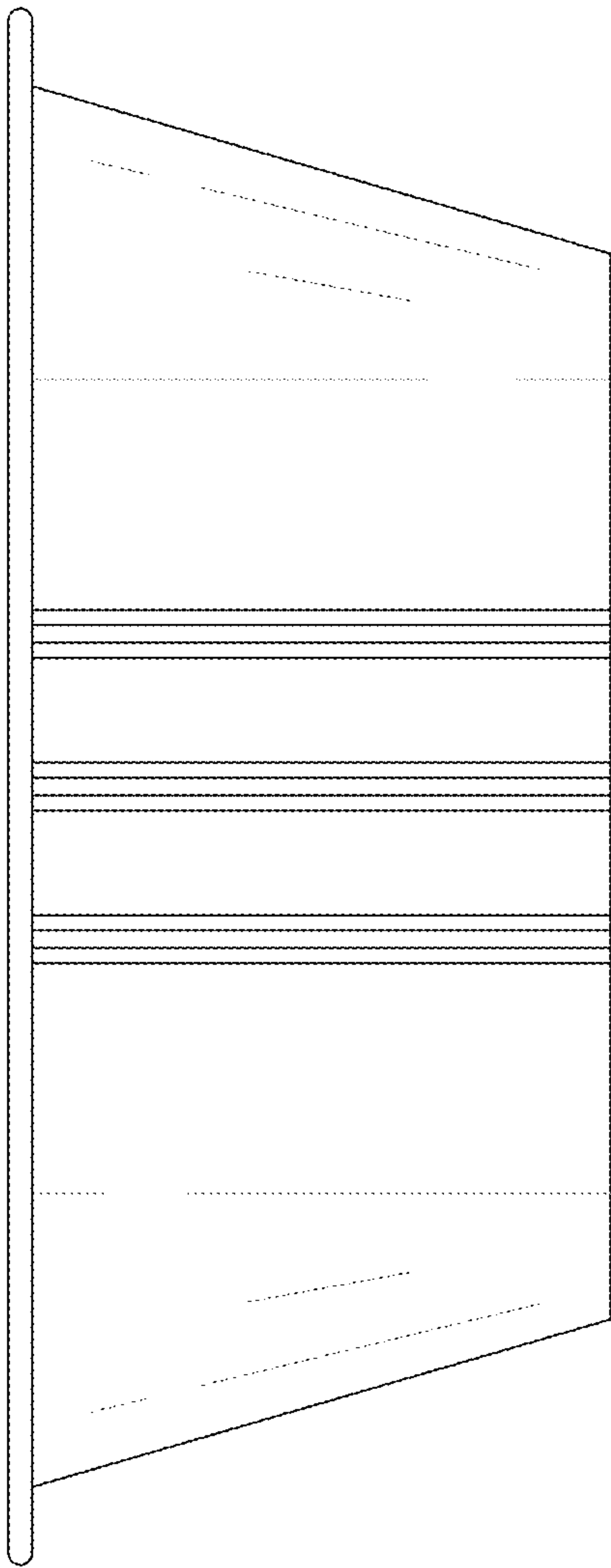
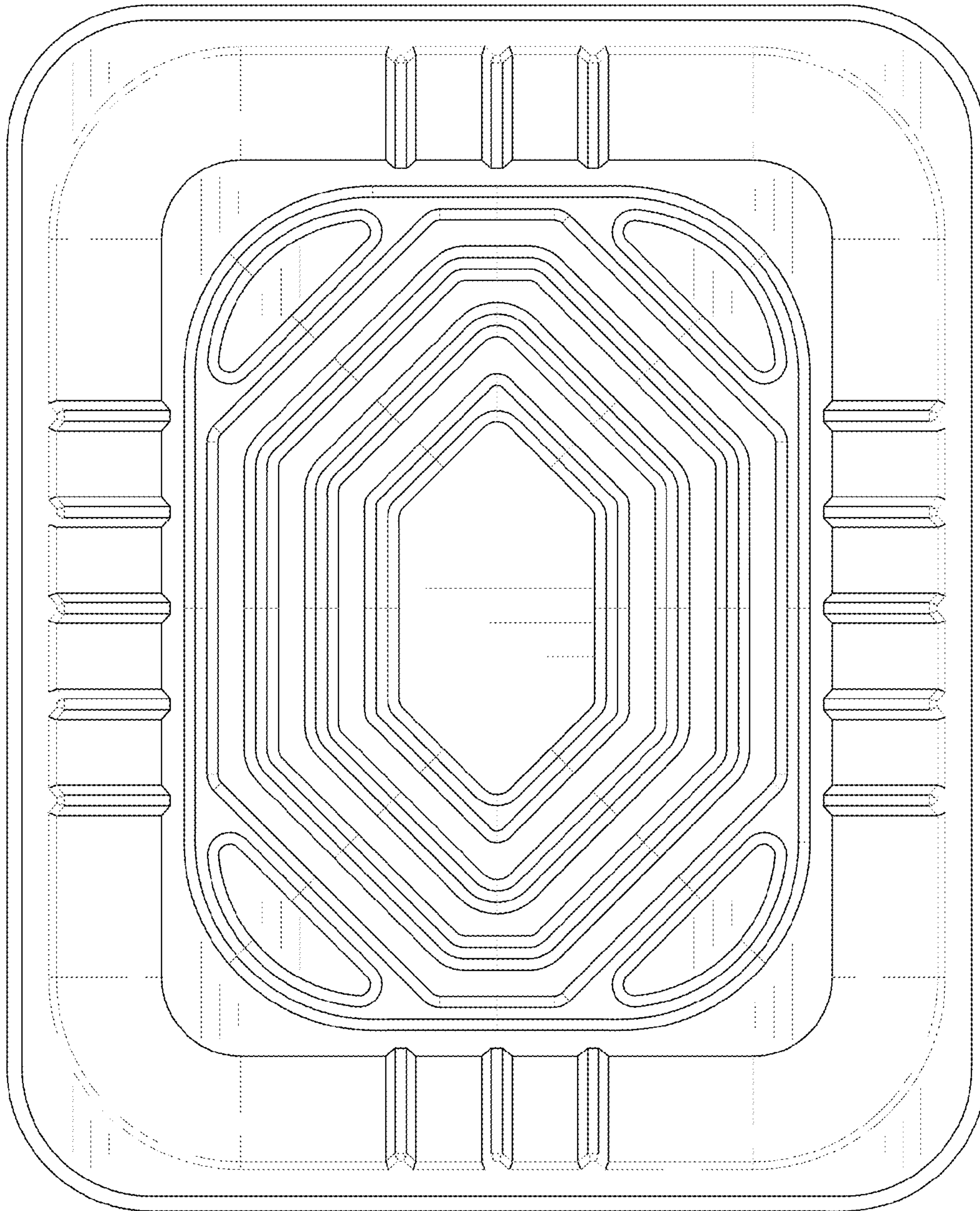
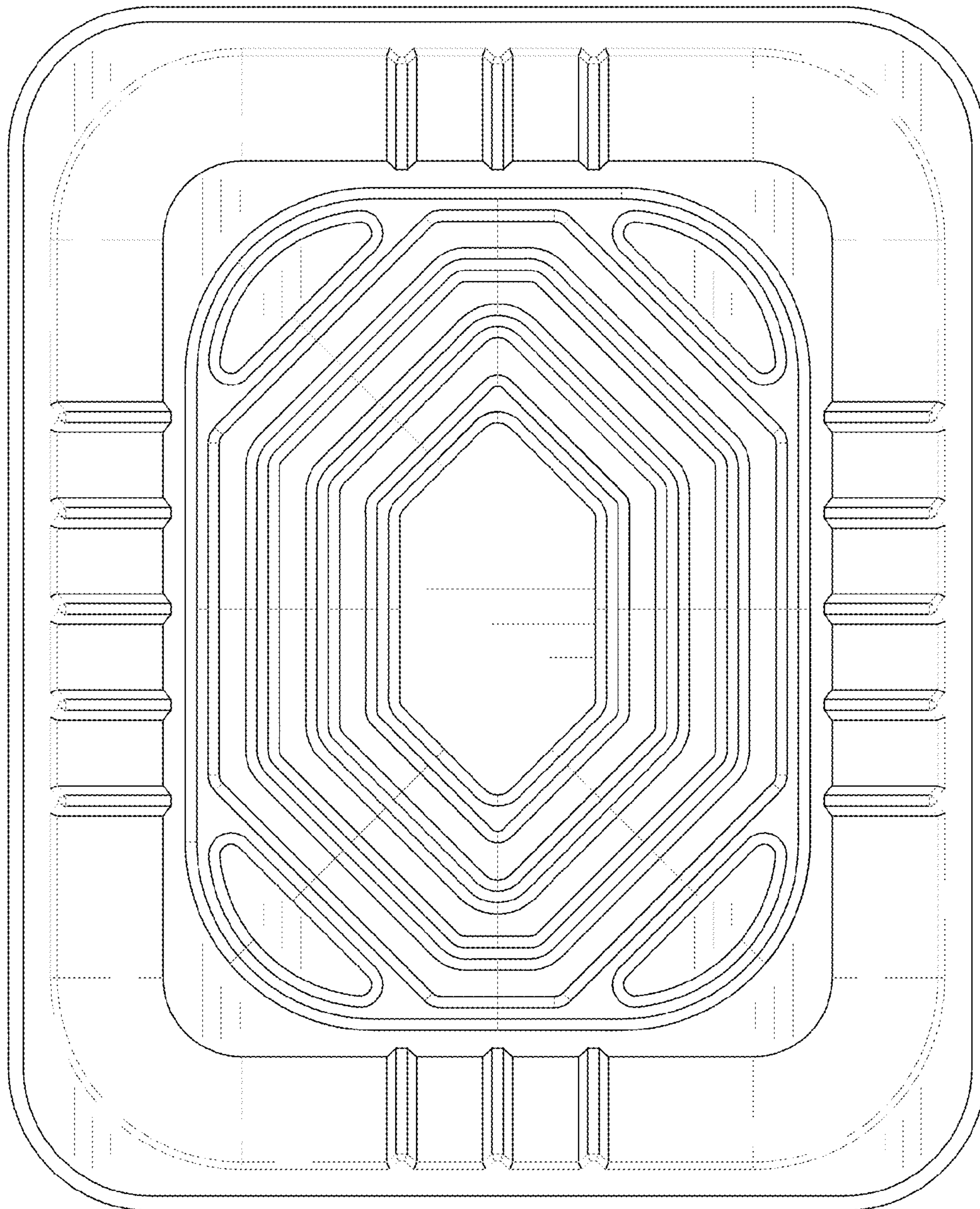


FIG. 22



**FIG. 23**





**FIG. 24**