



US00D972359S

(12) **United States Design Patent**  
**Won et al.**

(10) **Patent No.:** **US D972,359 S**  
(45) **Date of Patent:** **\*\* Dec. 13, 2022**

(54) **PORTABLE GAS RANGE**  
(71) Applicant: **DR. HOWS CO., LTD.**, Seoul (KR)  
(72) Inventors: **Se Kyung Won**, Incheon (KR); **Min Cheol Kim**, Goyang-si (KR); **So Yeon Seong**, Seoul (KR)  
(73) Assignee: **DR. HOWS CO., LTD.**, Seoul (KR)  
(\*\*) Term: **15 Years**

D244,664 S \* 6/1977 Monnet ..... D7/337  
D252,971 S \* 9/1979 Ito ..... D7/337  
4,399,351 A \* 8/1983 Koff ..... A47J 27/004  
219/430

(Continued)

**FOREIGN PATENT DOCUMENTS**

GB 4021495 \* 9/2011  
JP D1679475 \* 1/2021

(Continued)

**OTHER PUBLICATIONS**

Iwatani 35FW Butane Stove, announced Mar. 19, 2008, [site visited Dec. 13, 2021], available online URL: [https://www.amazon.com/dp/B00522F2R2/ref=cm\\_sw\\_em\\_r\\_mt\\_dp\\_6G8GT2X193KJC1E1K72M?\\_encoding=UTF8&pvc=1](https://www.amazon.com/dp/B00522F2R2/ref=cm_sw_em_r_mt_dp_6G8GT2X193KJC1E1K72M?_encoding=UTF8&pvc=1) (Year: 2008).\*

(Continued)

*Primary Examiner* — Andrew Kerr  
*Assistant Examiner* — Chariton Alexakis  
(74) *Attorney, Agent, or Firm* — Schmeiser, Olsen & Watts, LLP

(21) Appl. No.: **29/760,535**  
(22) Filed: **Dec. 2, 2020**  
(30) **Foreign Application Priority Data**  
Jun. 2, 2020 (KR) ..... 30-2020-0024398  
(51) **LOC (13) Cl.** ..... **07-02**  
(52) **U.S. Cl.**  
USPC ..... **D7/334**  
(58) **Field of Classification Search**  
USPC ..... D7/323, 336-341, 346-348, 352, 362, D7/365, 402, 407-409, 416, 334; D21/523-525; D23/397, 402, 415  
CPC .... F24C 1/00; F24C 1/16; F24C 3/002; F24C 3/008; F24C 3/022; F24C 3/027; F24C 3/08; F24C 3/082; F24C 3/087; F24C 7/00; F24C 7/002; F24C 7/046; F24C 7/067; F24C 15/02; F24C 15/04; F24C 15/10; F24C 15/102; F24C 15/107  
See application file for complete search history.

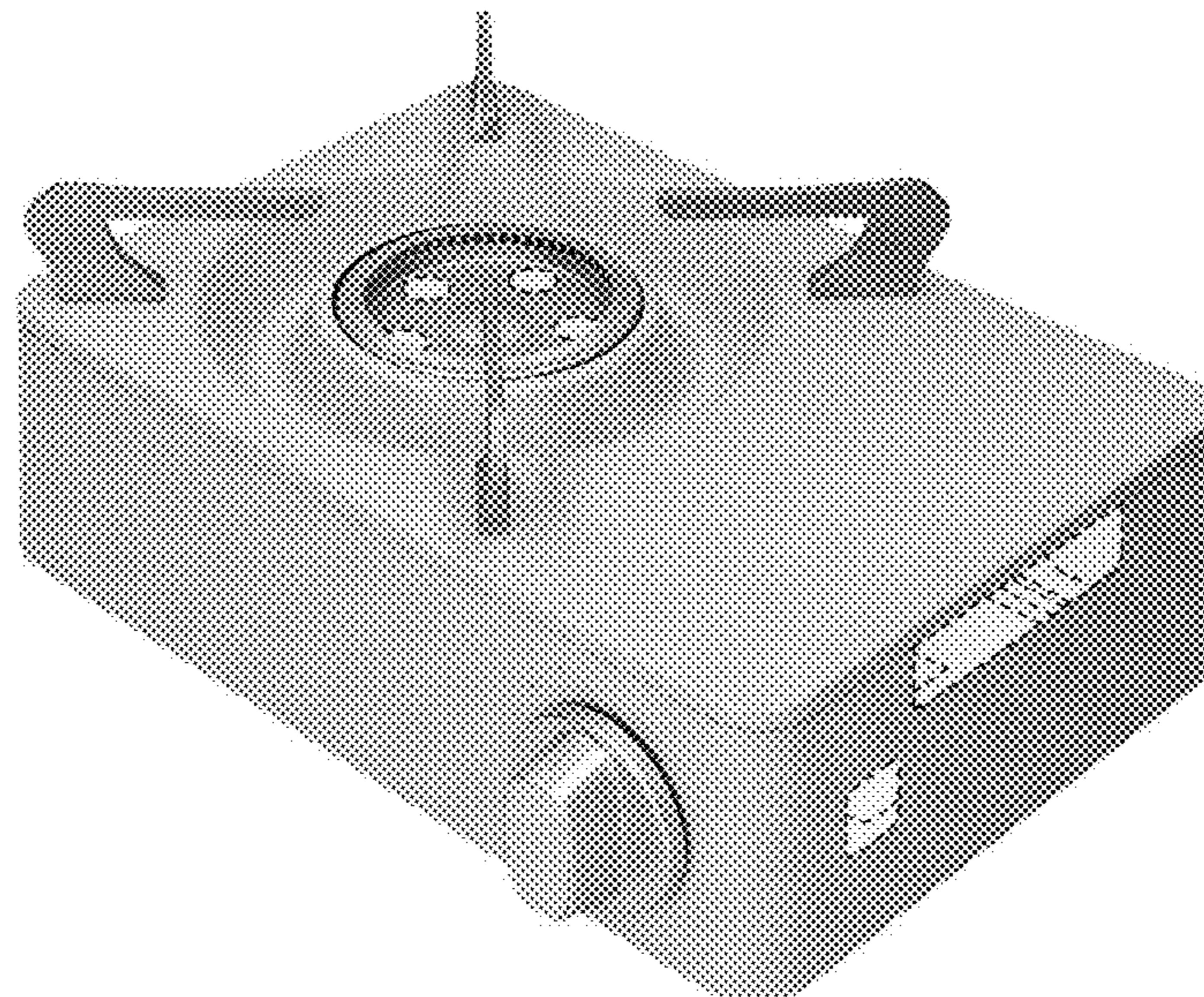
(57) **CLAIM**  
The ornamental design for a portable gas range, as shown and described.

**DESCRIPTION**

FIG. 1 is a perspective view of a portable gas range, showing our new design;  
FIG. 2 is a front view thereof;  
FIG. 3 is a rear view thereof;  
FIG. 4 is a left side view thereof;  
FIG. 5 is a right side view thereof;  
FIG. 6 is a top view thereof; and,  
FIG. 7 is a bottom view thereof.  
The de-emphasized or half-toned areas in the drawings depict portions of the portable gas range that form no part of the claimed design.

(56) **References Cited**  
**U.S. PATENT DOCUMENTS**  
D195,657 S \* 7/1963 Sullivan ..... D7/364  
3,400,704 A \* 9/1968 Schlamp ..... F24C 3/14  
126/38  
D215,514 S \* 10/1969 Betzer ..... D7/363

**1 Claim, 7 Drawing Sheets**



(56)

References Cited

OTHER PUBLICATIONS

U.S. PATENT DOCUMENTS

4,448,186 A \* 5/1984 Smith ..... F24C 15/10  
 126/214 D  
 D305,290 S \* 1/1990 Springer ..... D7/367  
 D336,008 S \* 6/1993 Kamata ..... D7/362  
 5,323,757 A \* 6/1994 Humphrey ..... F24C 1/16  
 126/24  
 5,431,146 A \* 7/1995 Humphrey ..... F24C 1/16  
 126/24  
 D369,509 S \* 5/1996 Kaga ..... D7/362  
 6,089,218 A \* 7/2000 Mifune ..... F17C 7/04  
 126/38  
 D544,291 S \* 6/2007 Kong ..... D7/337  
 D771,437 S \* 11/2016 Segers ..... D7/402  
 D775,888 S \* 1/2017 Kim ..... D7/337  
 2011/0265780 A1 \* 11/2011 Ryu ..... F24C 3/14  
 126/25 B  
 2016/0153665 A1 \* 6/2016 Adeleye ..... F17C 13/084  
 431/344  
 2019/0338948 A1 \* 11/2019 Oh ..... F24C 3/14

FOREIGN PATENT DOCUMENTS

KR 301097860.0000 \* 2/2021  
 KR 301119201.0000 \* 7/2021

Miyabi Iwatani CB-WA-35 Cooking Gas Stove, announced Mar. 8, 2013, [site visited Dec. 13, 2021], available online URL: [https://www.amazon.com/dp/B000WMDCUG/ref=cm\\_sw\\_em\\_r\\_mt\\_dp\\_JNG7DB6VSDZT5X3C0F8E?\\_encoding=UTF8&psc=1](https://www.amazon.com/dp/B000WMDCUG/ref=cm_sw_em_r_mt_dp_JNG7DB6VSDZT5X3C0F8E?_encoding=UTF8&psc=1) (Year: 2013).\*

Gas One Propane or Butane Stove, announced Jun. 29, 2016, [site visited Dec. 13, 2021], available online URL: <https://www.amazon.com/GS-3400P-Portable-Backpacking-Emergency-Preparedness/dp/B01HQRD8EO> (Year: 2016).\*

TECHEF—AGNI Portable Butane Gas Stove, announced Jan. 7, 2019, [site visited Dec. 13, 2021], available online URL: [https://www.amazon.com/TECHEF-AG28BK-Portable-Butane-Burner/dp/B07MJ9DRTW/ref=sr\\_1\\_18?keywords=gas+single+burner&qid=1639414162&s=home-garden&sr=1-18](https://www.amazon.com/TECHEF-AG28BK-Portable-Butane-Burner/dp/B07MJ9DRTW/ref=sr_1_18?keywords=gas+single+burner&qid=1639414162&s=home-garden&sr=1-18) (Year: 2019).\*

Dr.How's Twinkle Mini Camping Stove Burner, posted at Amazon.com on Jul. 26, 2020, [site visited Apr. 26, 2022]. Available from internet, URL: <https://www.amazon.com/Twinkle-Portable-Carrying-Outdoor-Camping/dp/B08DHX7Y4G/ref=> (Year: 2020).\*

\* cited by examiner

FIG. 1



FIG. 2

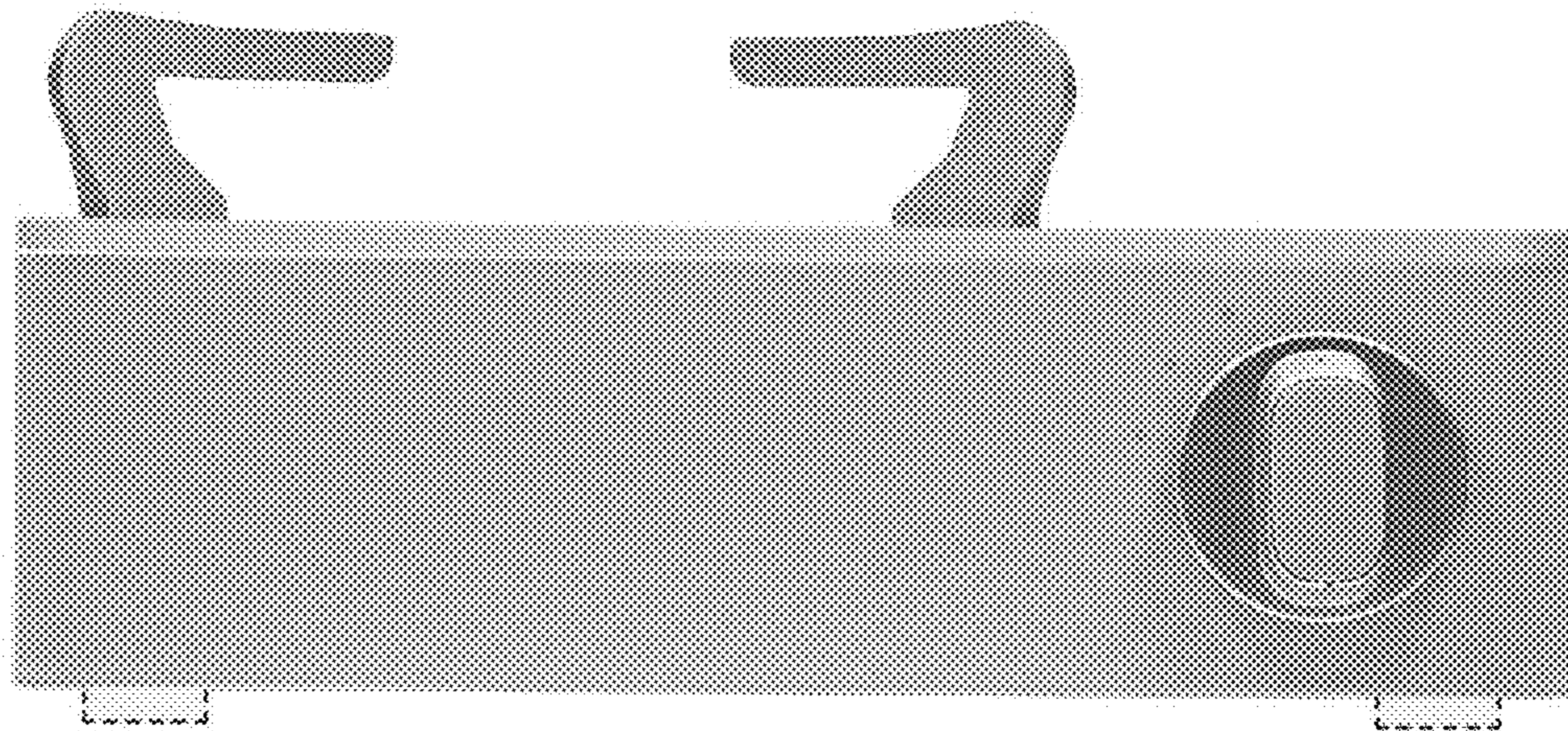


FIG. 3

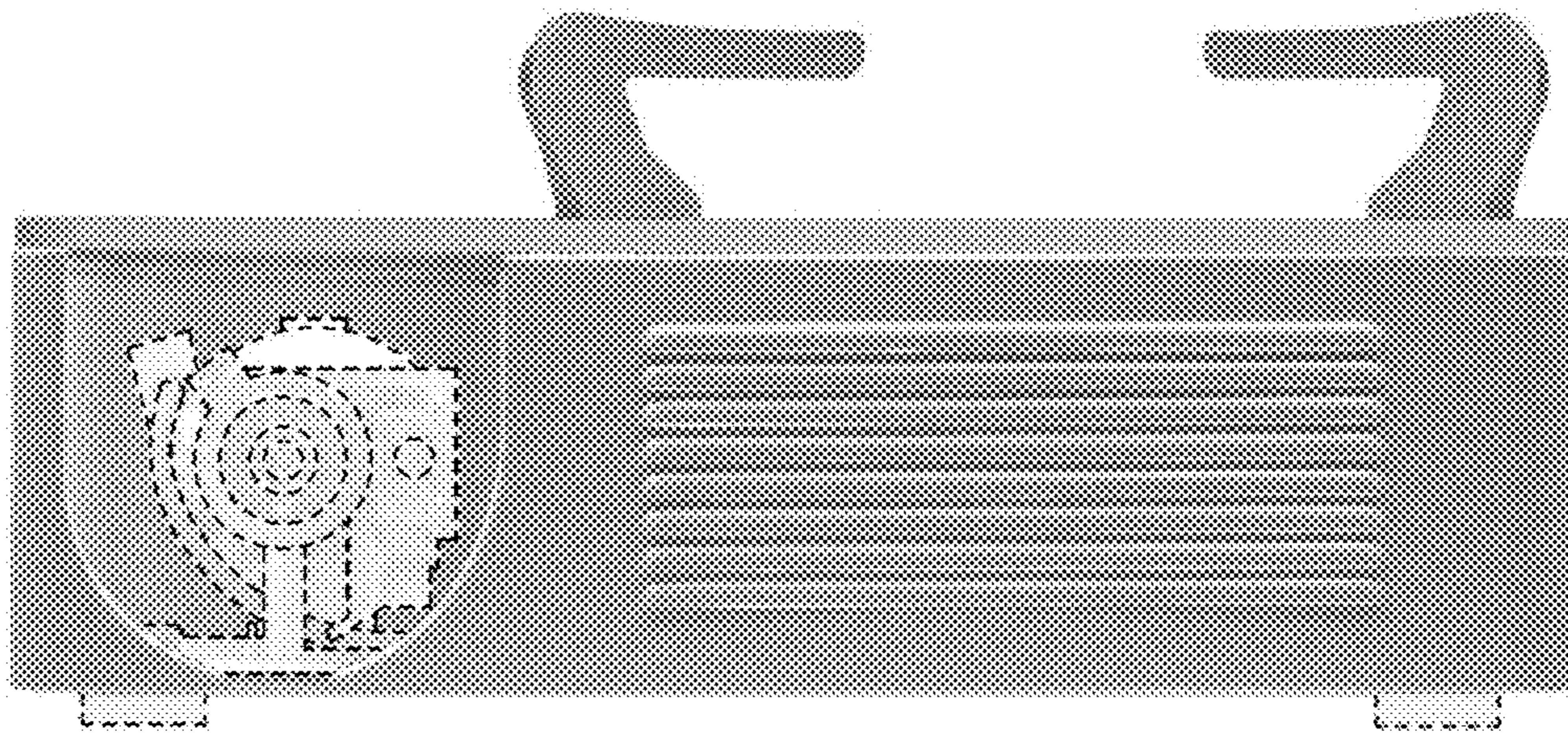


FIG. 4

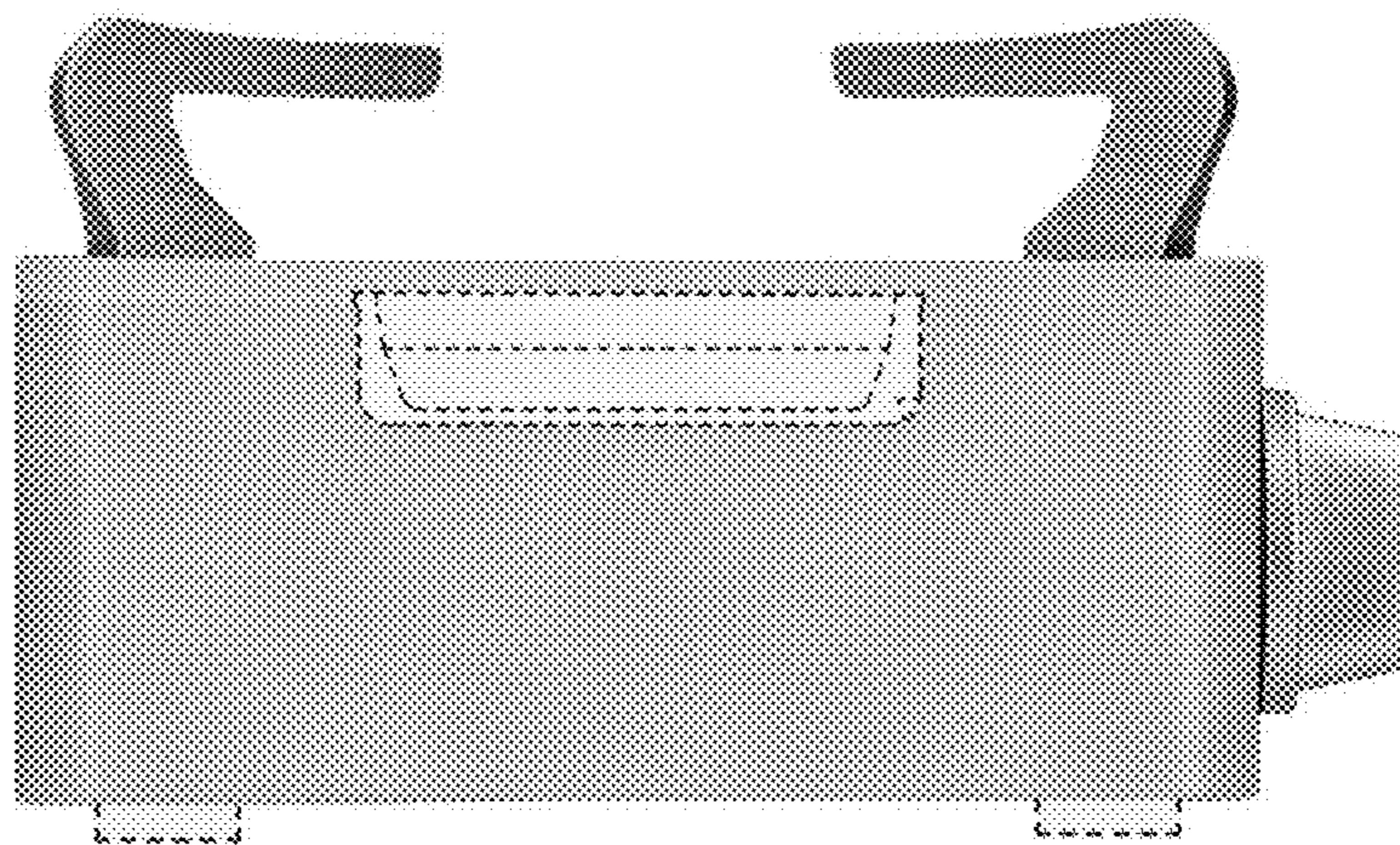


FIG. 5

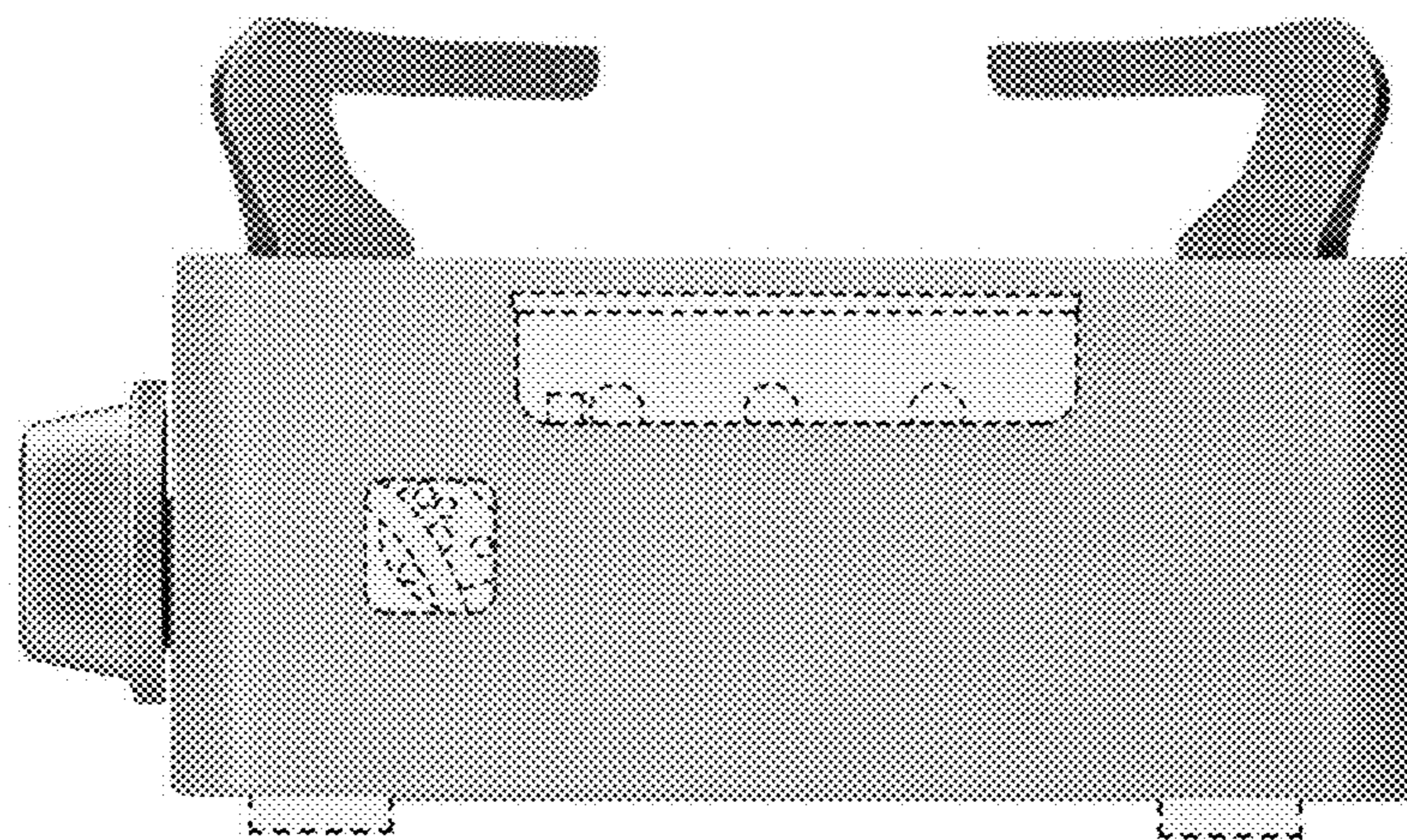


FIG. 6

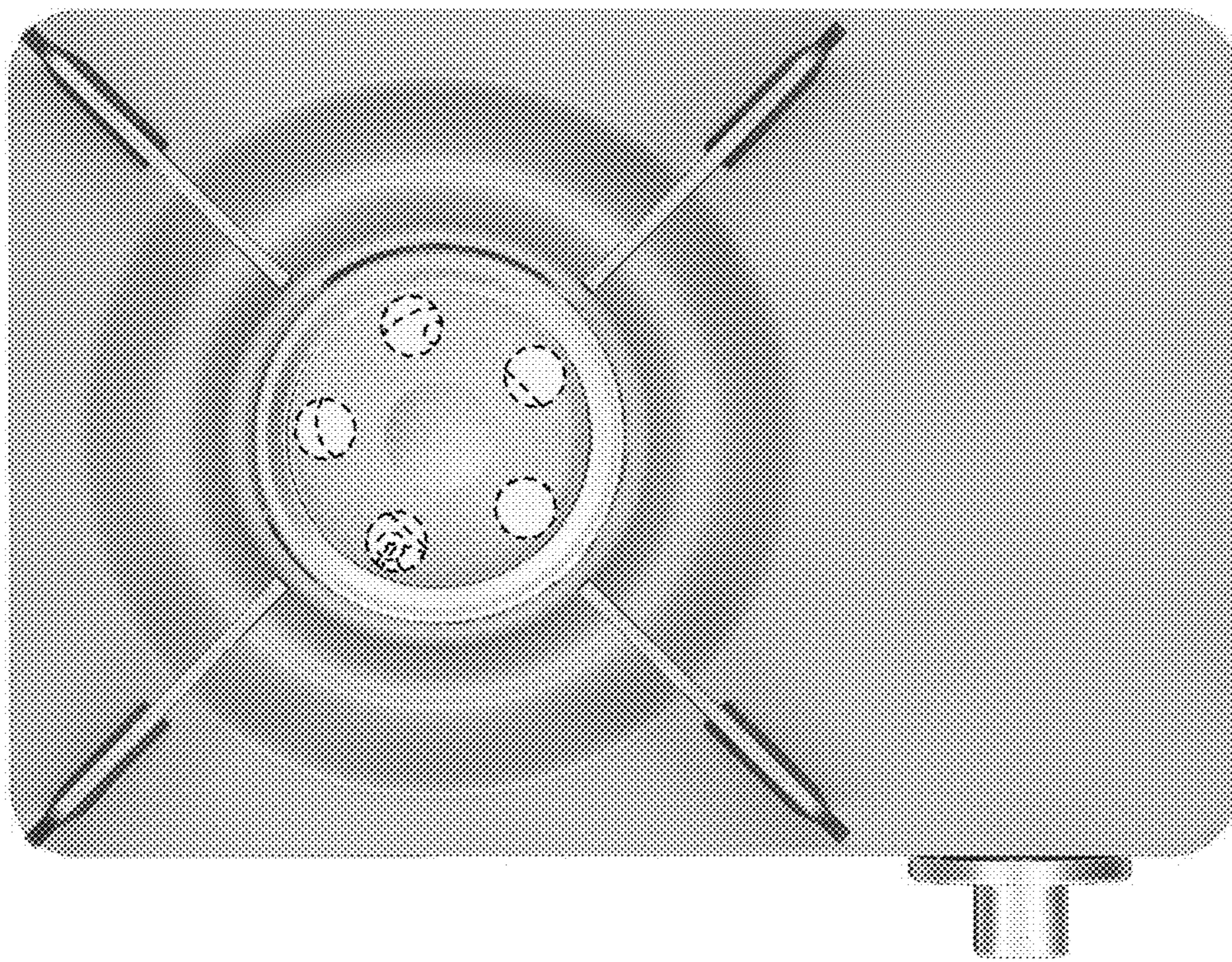




FIG. 7

