



US00D972356S

(12) **United States Design Patent** (10) **Patent No.:** **US D972,356 S**
Zhou (45) **Date of Patent:** **** Dec. 13, 2022**

(54) **LIQUID FILLING MACHINE**

FOREIGN PATENT DOCUMENTS

(71) Applicant: **Wenzhou Tongsen Welding Machine Manufacturing Co., Wenzhou (CN)**

CN 300825159 * 9/2008
CN 300844198 * 10/2008

(Continued)

(72) Inventor: **Baowang Zhou, Wenzhou (CN)**

OTHER PUBLICATIONS

(*) Notice: Patent file contains an affidavit/declaration under 37 CFR 1.130(b).

Vevor US, "Newest Design BSC-A03 Series 5-50ml Manual Liquid Filling Machine," Reviewed Sep. 10, 2020, Vevor US, www.vevor.com/liquid-filling-machine-c_10468/5-50ml-manual-liquid-paste-filling-machine-304-stainless-cream-cosmetic-filler-p_010937221674 (Year: 2020).*

(Continued)

(**) Term: **15 Years**

(21) Appl. No.: **29/803,316**

(22) Filed: **Aug. 12, 2021**

(51) **LOC (13) Cl.** **15-10**

(52) **U.S. Cl.**
USPC **D7/306; D10/101; D15/199**

(58) **Field of Classification Search**
USPC D7/306, 308, 310-313, 368, 372, 381, D7/700; D8/51, 105, 499; D10/46.2, D10/46.3, 96, 97, 101; D15/122-125, D15/132, 145, 199

CPC B65B 1/04; B65B 1/06; B65B 1/16; B65B 1/18; B65B 1/20; B65B 1/26; B65B 1/30; B65B 1/36; B65B 39/007; B67C 3/02
See application file for complete search history.

Primary Examiner — Joseph Kukella

Assistant Examiner — Arva P Adams

(74) *Attorney, Agent, or Firm* — Runit Ranjit Kanakia

(57) **CLAIM**

The ornamental design for a liquid filling machine, as shown and described.

DESCRIPTION

FIG. 1 is a front elevational view of a liquid filling machine showing my new design;

FIG. 2 is a rear elevational view thereof;

FIG. 3 is a left side view thereof;

FIG. 4 is a right side view thereof;

FIG. 5 is a top plan view thereof;

FIG. 6 is a bottom plan view thereof;

FIG. 7 is a perspective view thereof;

FIG. 8 is a second perspective view thereof;

FIG. 9 is a third perspective view thereof; and,

FIG. 10 is a partial enlarged view of the portion indicated in FIG. 8.

The even broken lines in the figures are for the purposes of illustrating portions of the liquid filling machine which form no part of the claimed design. The dot-dash broken lines surround the enlarged partial view and form no part of the claimed design.

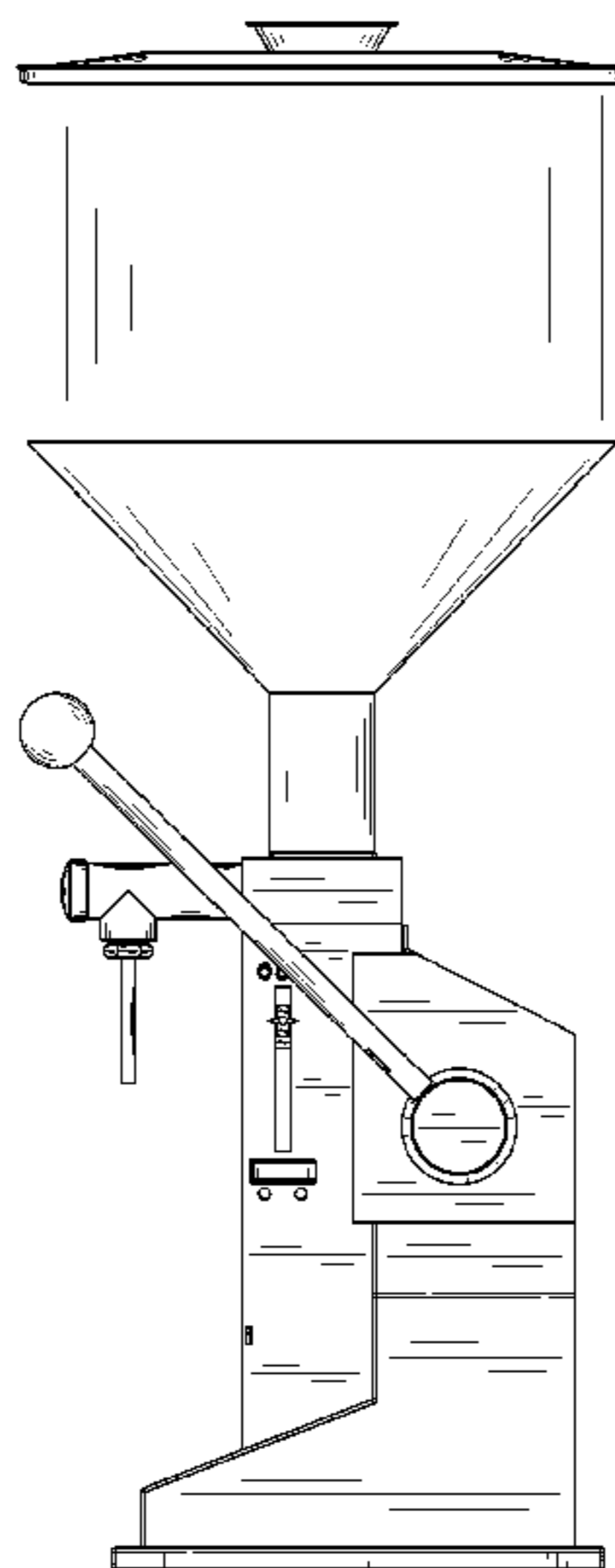
(56) **References Cited**

U.S. PATENT DOCUMENTS

1,083,183 A * 12/1913 Bednarowicz B67D 7/54
141/285
1,979,483 A * 11/1934 Marsh B65B 1/18
198/547
D138,363 S * 7/1944 Giuriati D7/308
2,801,545 A * 8/1957 Schottle A47J 44/02
366/314
D205,678 S * 9/1966 Williams D7/700
D220,211 S * 3/1971 Edstrom D15/127
D242,079 S * 10/1976 Twichell G01S 13/32
D15/122

(Continued)

1 Claim, 10 Drawing Sheets



(56)

References Cited

U.S. PATENT DOCUMENTS

D294,448 S * 3/1988 Otto A22C 11/0245
 D7/381
 D363,411 S * 10/1995 Mock D7/372
 6,132,302 A * 10/2000 Hiller A22C 11/0245
 452/45
 D651,445 S * 1/2012 Dal Gallo D7/311
 D708,921 S * 7/2014 Hoare D8/62
 8,899,117 B2 * 12/2014 Maile A22C 11/08
 73/862.541
 8,910,672 B2 * 12/2014 El Cheikh A47J 43/27
 141/391
 8,985,400 B2 * 3/2015 Swan B65D 88/66
 222/196
 D737,090 S 8/2015 Long
 D753,428 S 4/2016 Shao
 D755,629 S * 5/2016 Marraccini D9/447
 D814,841 S 4/2018 Sluijter
 D815,481 S 4/2018 Wendt
 D826,999 S * 8/2018 Yan D15/123
 D876,865 S 3/2020 Ellington
 D878,130 S 3/2020 Knoll
 D888,486 S 6/2020 Yang
 D891,845 S 8/2020 Rummel
 D892,529 S 8/2020 Fei

D898,500 S 10/2020 Leeds
 2017/0088295 A1 * 3/2017 Staudenrausch G01S 13/32
 2019/0365140 A1 * 12/2019 Wallis B65B 1/36

FOREIGN PATENT DOCUMENTS

CN 306562487 * 5/2021
 CN 306832537 * 9/2021
 CN 306832539 * 9/2021
 CN 306942751 * 11/2021

OTHER PUBLICATIONS

VTOPS-P1, "Semi Automatic Powder Filling Machine," Aug. 28, 2020, VTOPS, www.powder-fillers.com/product-detail/semi-automatic-powder-filler-machine/ (Year: 2020).
 Kimtem, "Kimtem Liquid Filling Machine," Oct. 9, 2020, Amazon.com, www.amazon.com/dp/B08KY786G7 (Year: 2020).
 Kimtem, "Kimtem Liquid Filling Machine," Apr. 12, 2021, Ubuy, www.u-buy.be/en/product/10QD6X4l-kimtem-manual-sausage-clipper-clipping-machine-u-shape-sausage-sealing-machine-tying-machine-for-sup (Year: 2021).
 Kimtem Liquid Filling Machine, Bottle filling Machine, A03 Pro Manual Filling machine For Liquid Paste Cosmetic Dream, Amazon.com, Oct. 9, 2020, Kimtem, <https://www.amazon.com/gp/product/B08KY786G7> (Last accessed Oct. 7, 2022).

* cited by examiner

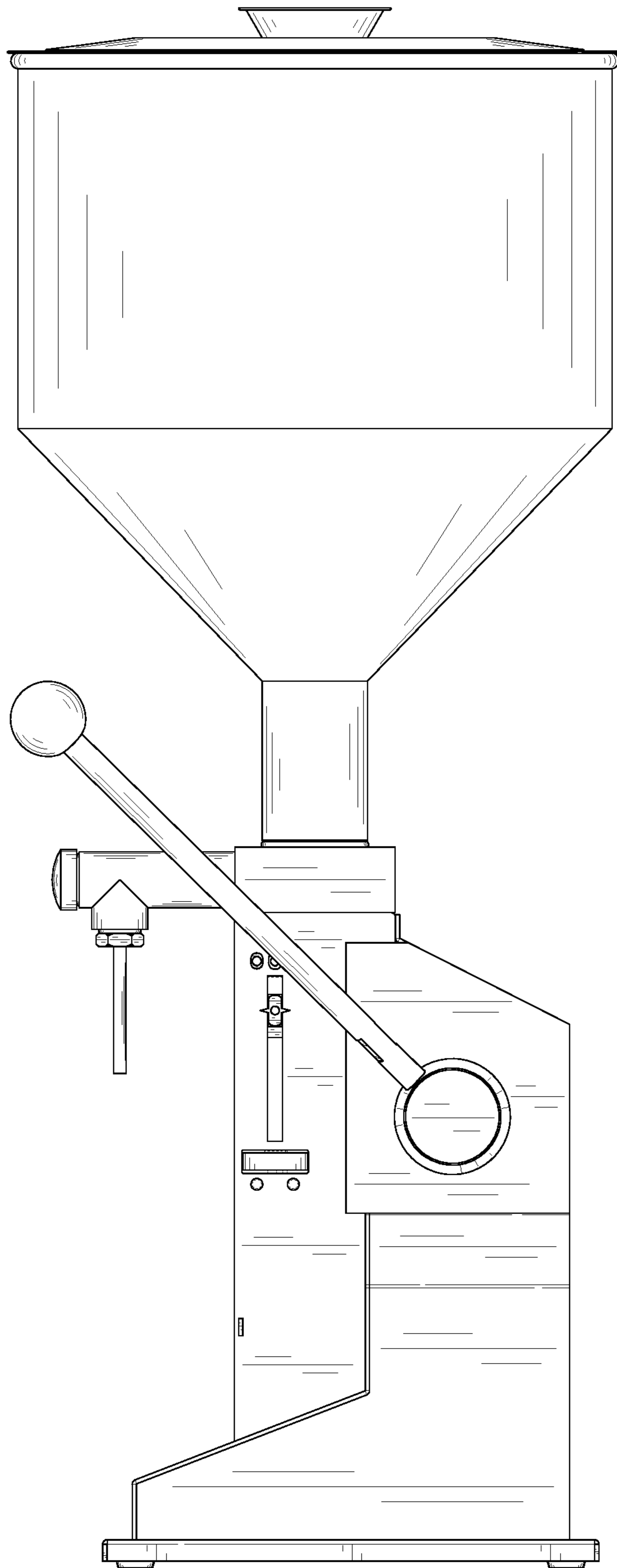


FIG. 1

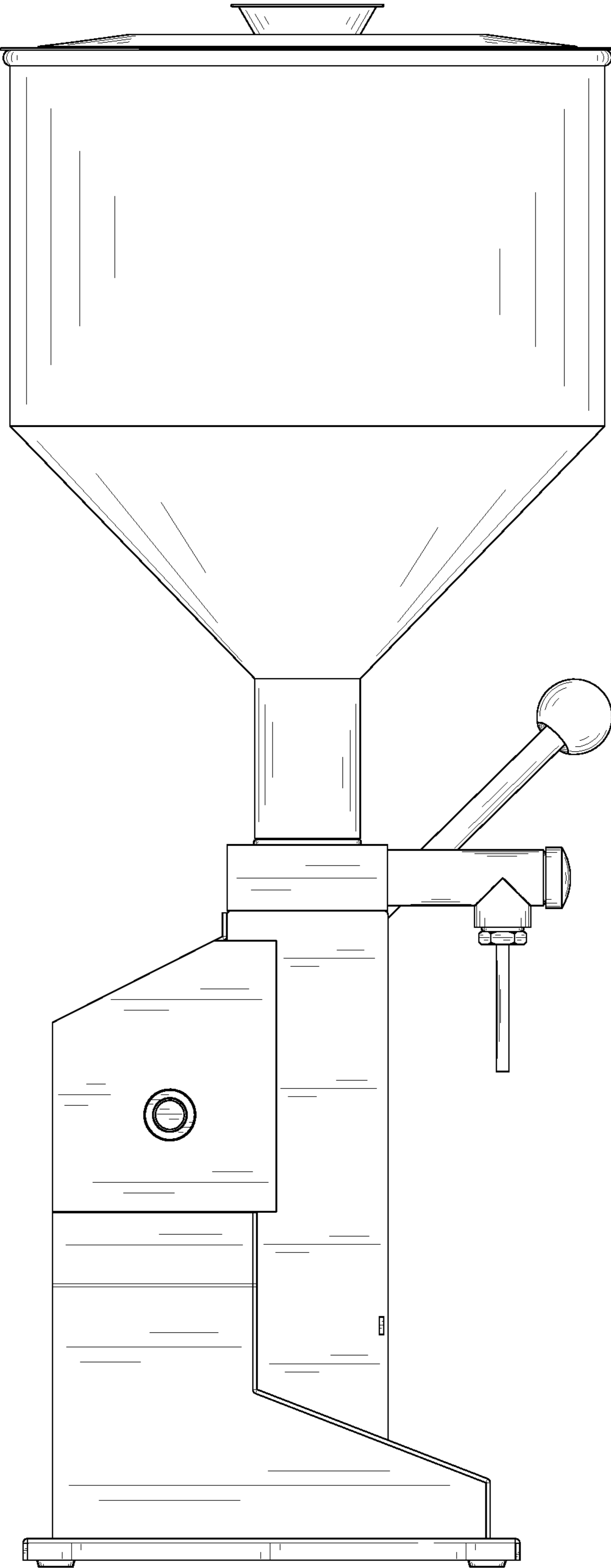


FIG. 2

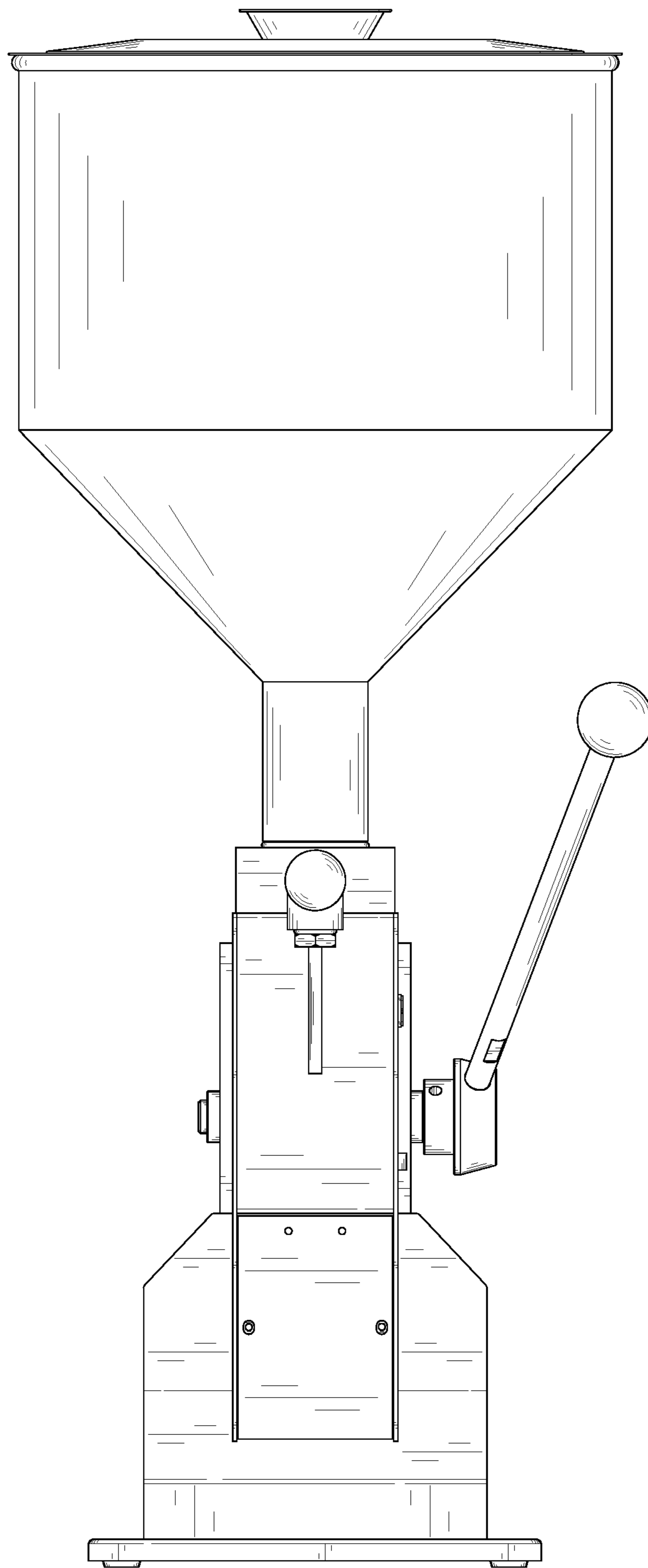


FIG. 3

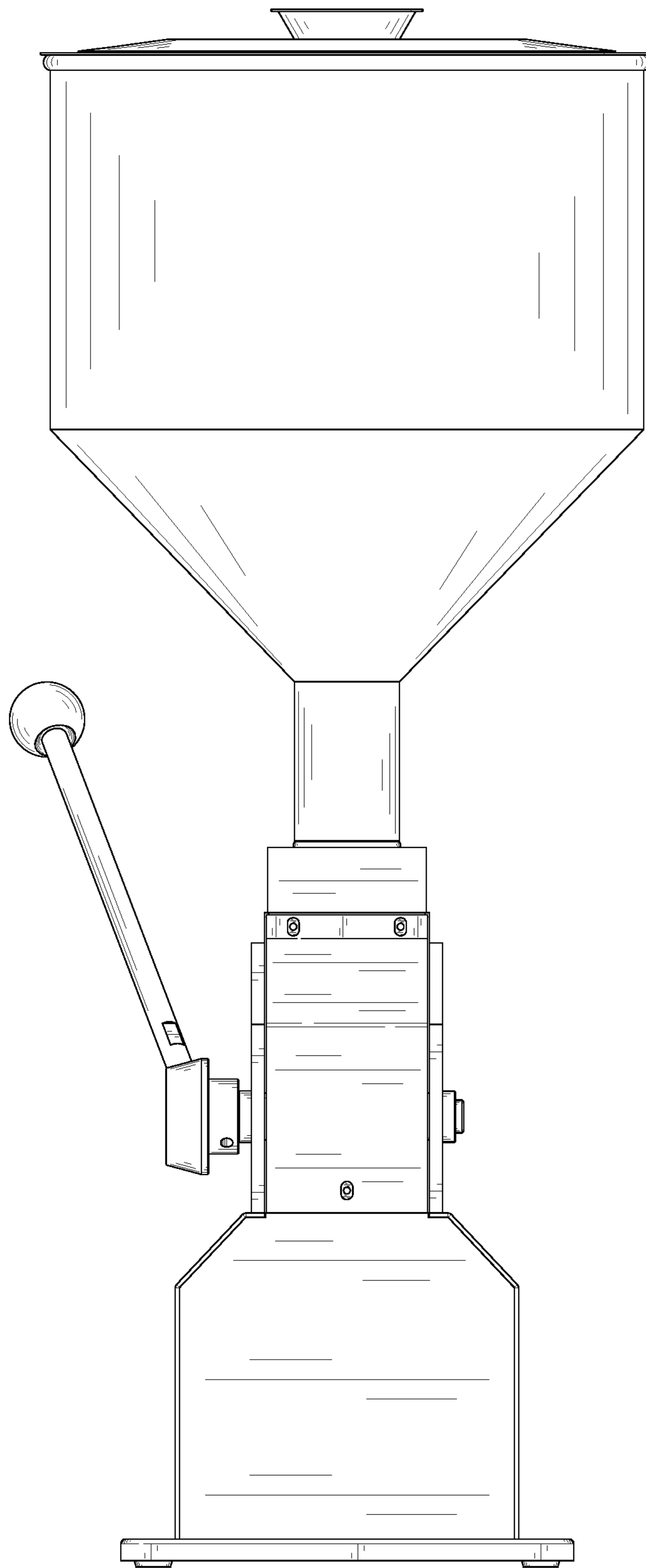


FIG. 4

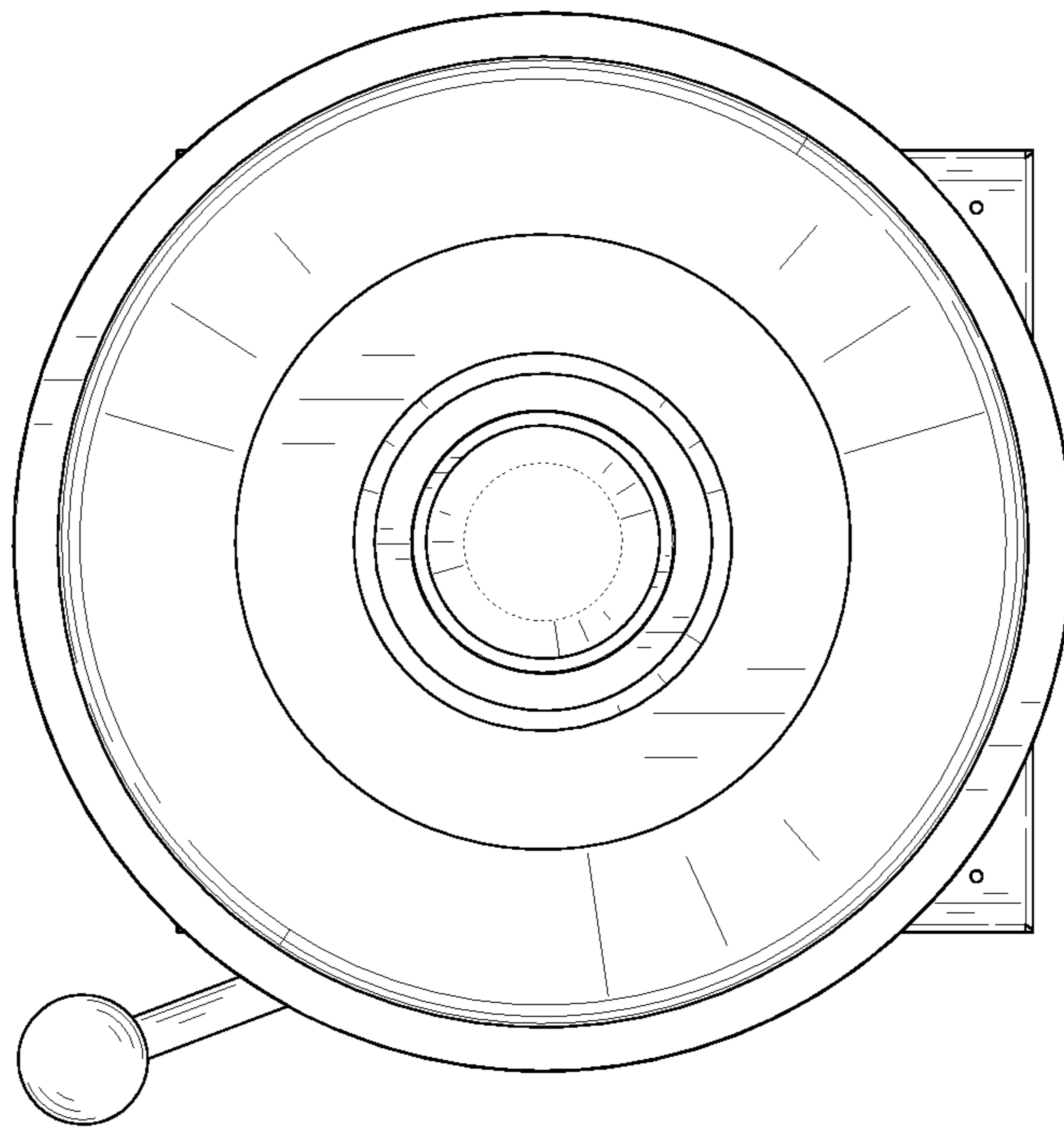


FIG. 5

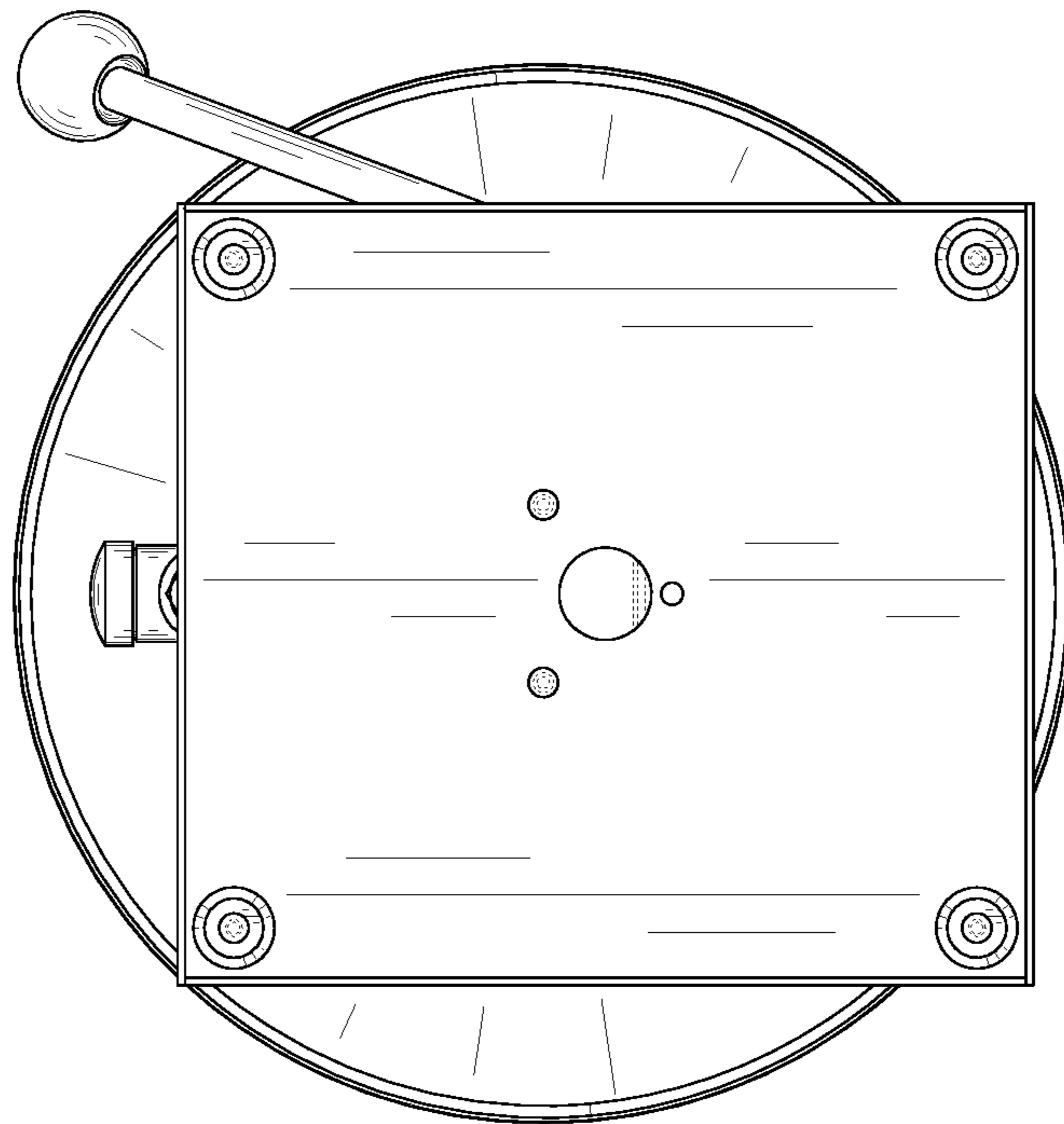


FIG. 6

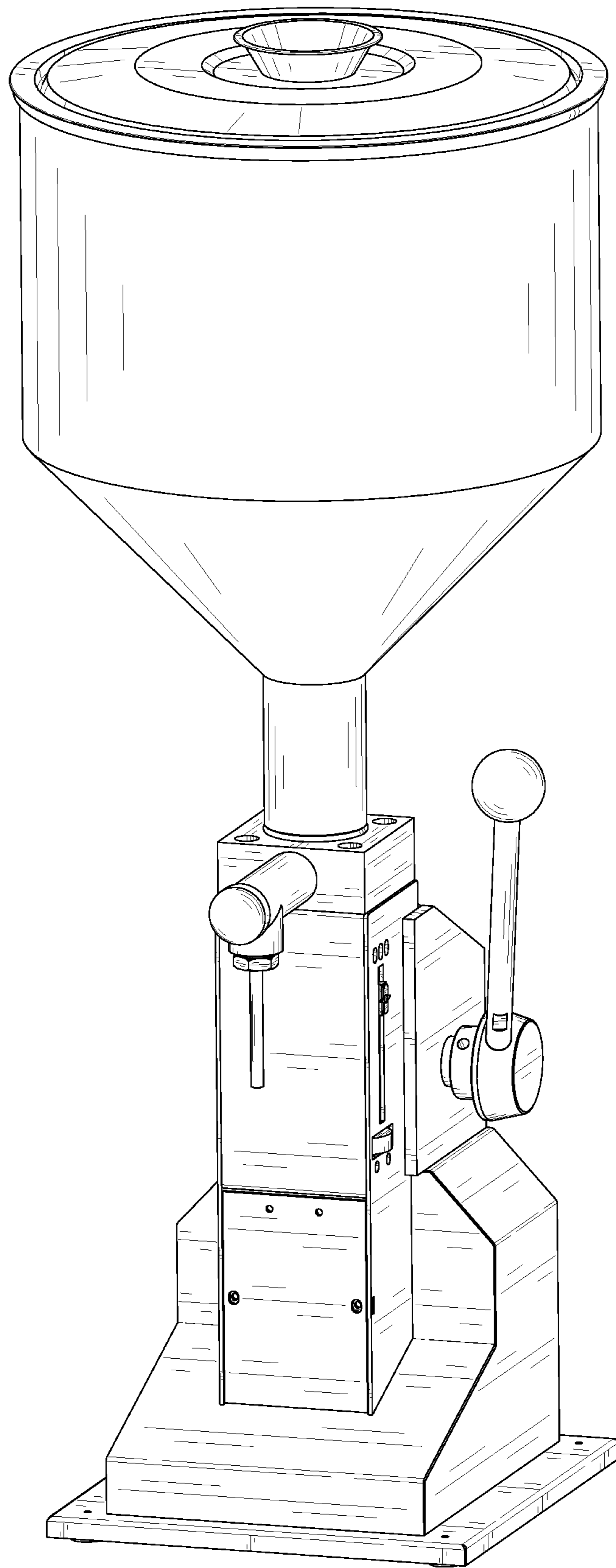


FIG. 7

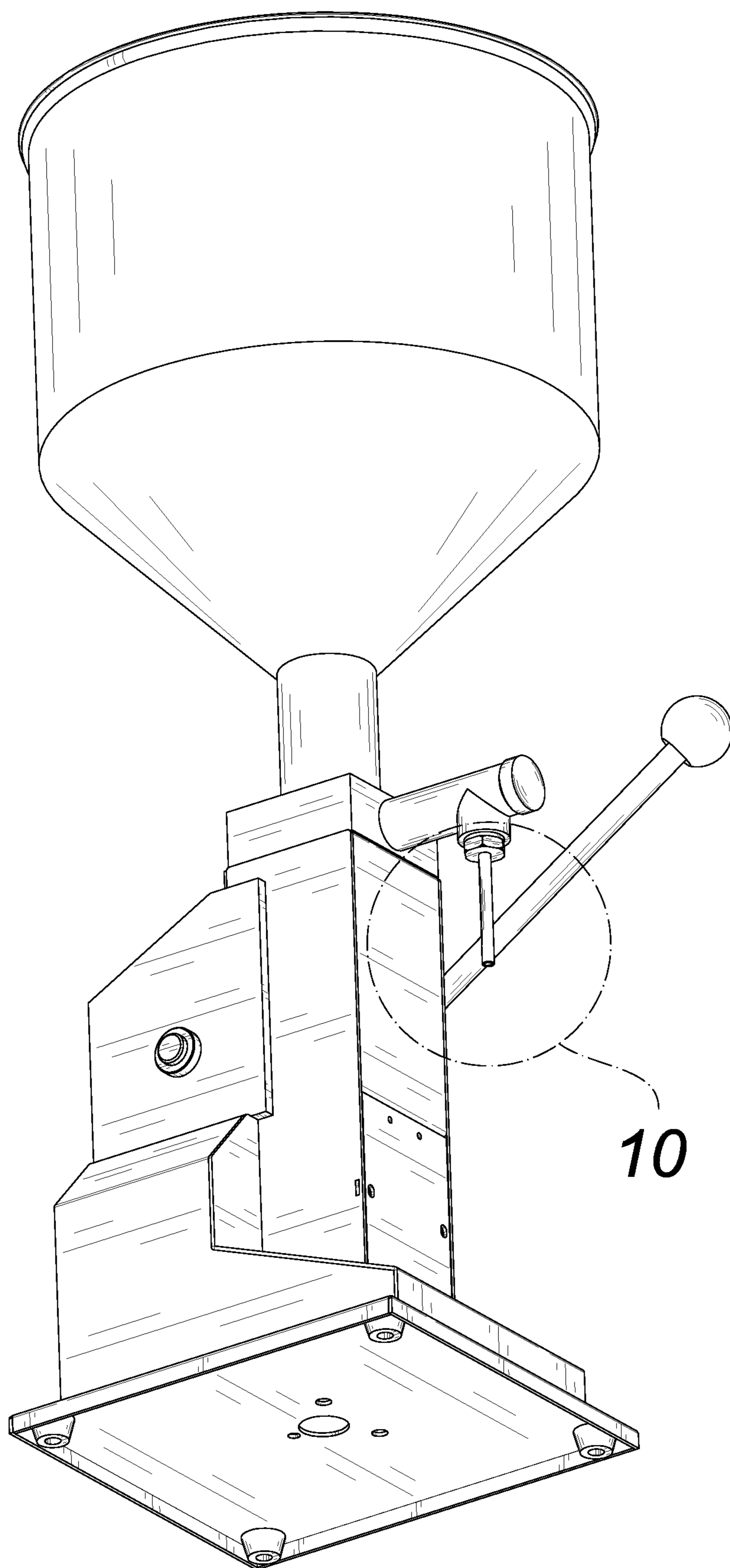


FIG. 8

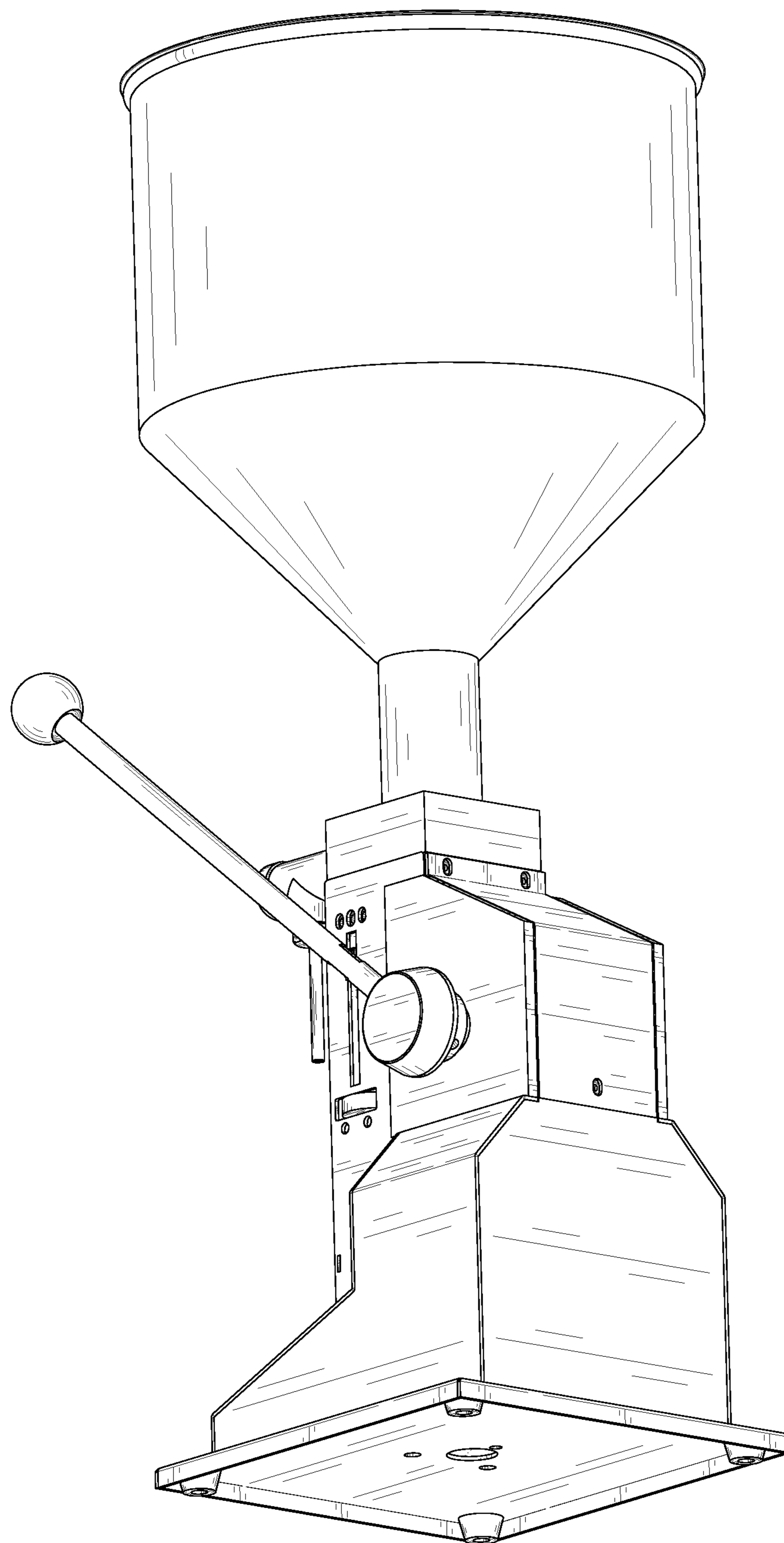


FIG. 9

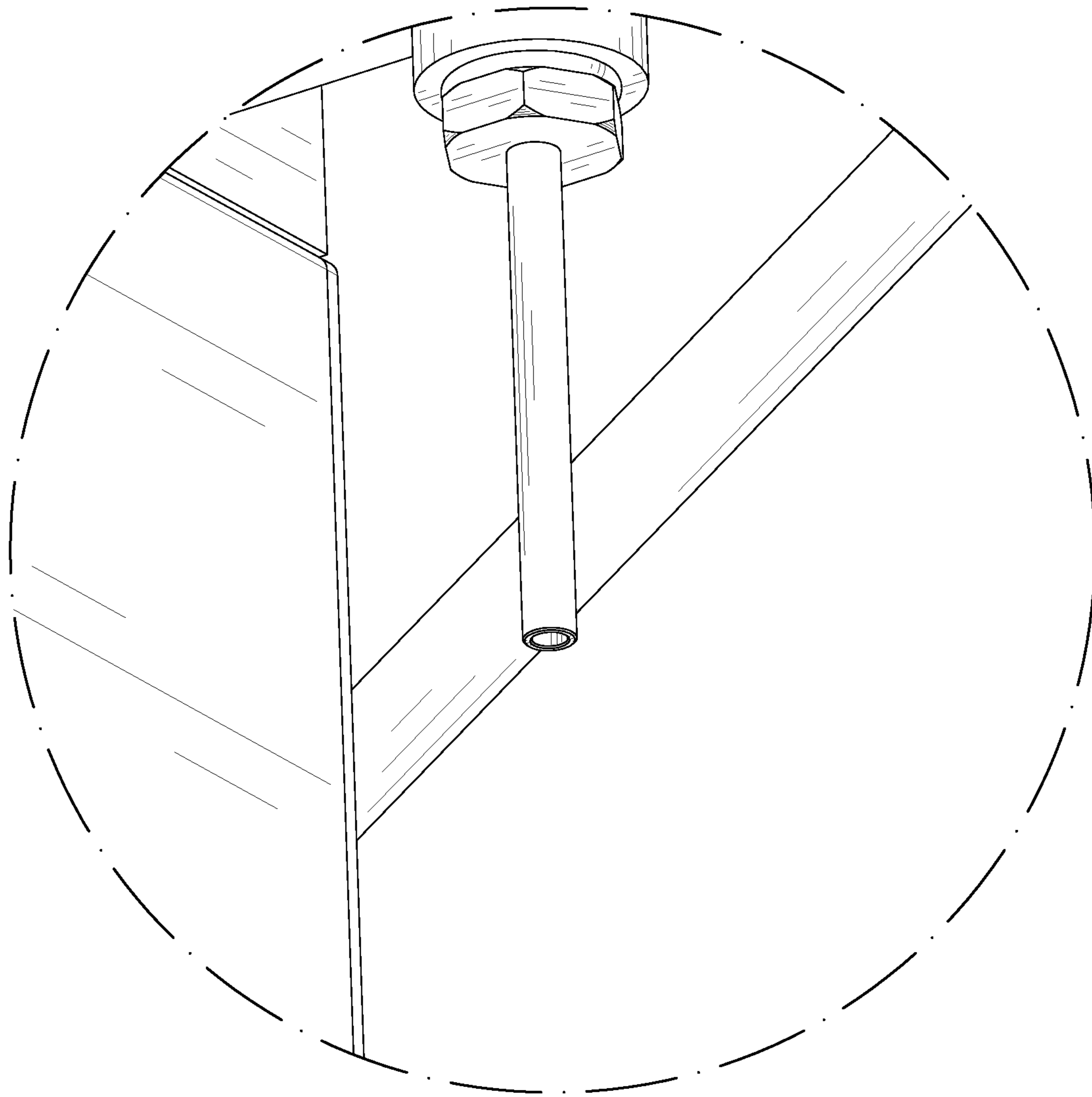


FIG. 10