



US00D972355S

(12) **United States Design Patent** (10) **Patent No.:** **US D972,355 S**
Yi (45) **Date of Patent:** **** Dec. 13, 2022**

(54) **COMBINED DECANTER, GLASSES AND BASE**

FOREIGN PATENT DOCUMENTS

GB 6123133 * 3/2021

(71) Applicant: **Pan Yi**, Shenzhen (CN)

OTHER PUBLICATIONS

(72) Inventor: **Pan Yi**, Shenzhen (CN)

(**) Term: **15 Years**

Whiskey & Wine Decanter Globe World Set with Globe Glasses, first available Jul. 12, 2018, Amazon, [online], [site visited Aug. 15, 2022], Available from internet URL: <https://www.amazon.com/Wine-Savant-World-Decanter-Matching/dp/B07FK5JJXZ> (Year: 2018).*

(21) Appl. No.: **29/827,868**

Globe Decanter Set with 2 Glasses, first available Apr. 14, 2021, Amazon, [online], [site visited Aug. 15, 2022], Available from internet URL: <https://www.amazon.com/dp/B092HS8CLT> (Year: 2021).*

(22) Filed: **Feb. 23, 2022**

(51) **LOC (13) Cl.** **07-01**

(52) **U.S. Cl.**
USPC **D7/305**

(58) **Field of Classification Search**

USPC D7/300, 301, 305, 505–507, 509, 514, D7/515, 550.1, 553.1–553.5, 554.3, 554.4, D7/387, 601–608, 619.1–620, 622–625; D9/544, 545, 600, 649, 678
CPC A47G 23/02; A47G 23/0208; A47G 23/0216; A47G 23/0233; A47G 23/0241; A47G 23/0266; A47G 23/0275; A47G 23/0283; A47G 23/0291
See application file for complete search history.

* cited by examiner

Primary Examiner — Mary Ann Calabrese
Assistant Examiner — Natalya M Rapundalo

(56) **References Cited**

U.S. PATENT DOCUMENTS

D149,125 S * 3/1948 Johns D9/678
D362,385 S * 9/1995 Wacker D9/519
D393,780 S * 4/1998 Stocco D7/619.1
D587,057 S * 2/2009 Mandel D7/301
D631,365 S * 1/2011 DeBoer D9/519
D824,263 S 7/2018 Hirschorn
D826,640 S 8/2018 Hirschorn
D851,454 S * 6/2019 Lefkowitz D7/505
D874,872 S * 2/2020 Godinger D11/131
D881,651 S * 4/2020 Hirschorn D9/544
D905,514 S * 12/2020 Sanders D7/701
D908,434 S * 1/2021 Murali D7/552.1
D914,425 S * 3/2021 Singh D9/680
D950,308 S * 5/2022 Hu D7/397

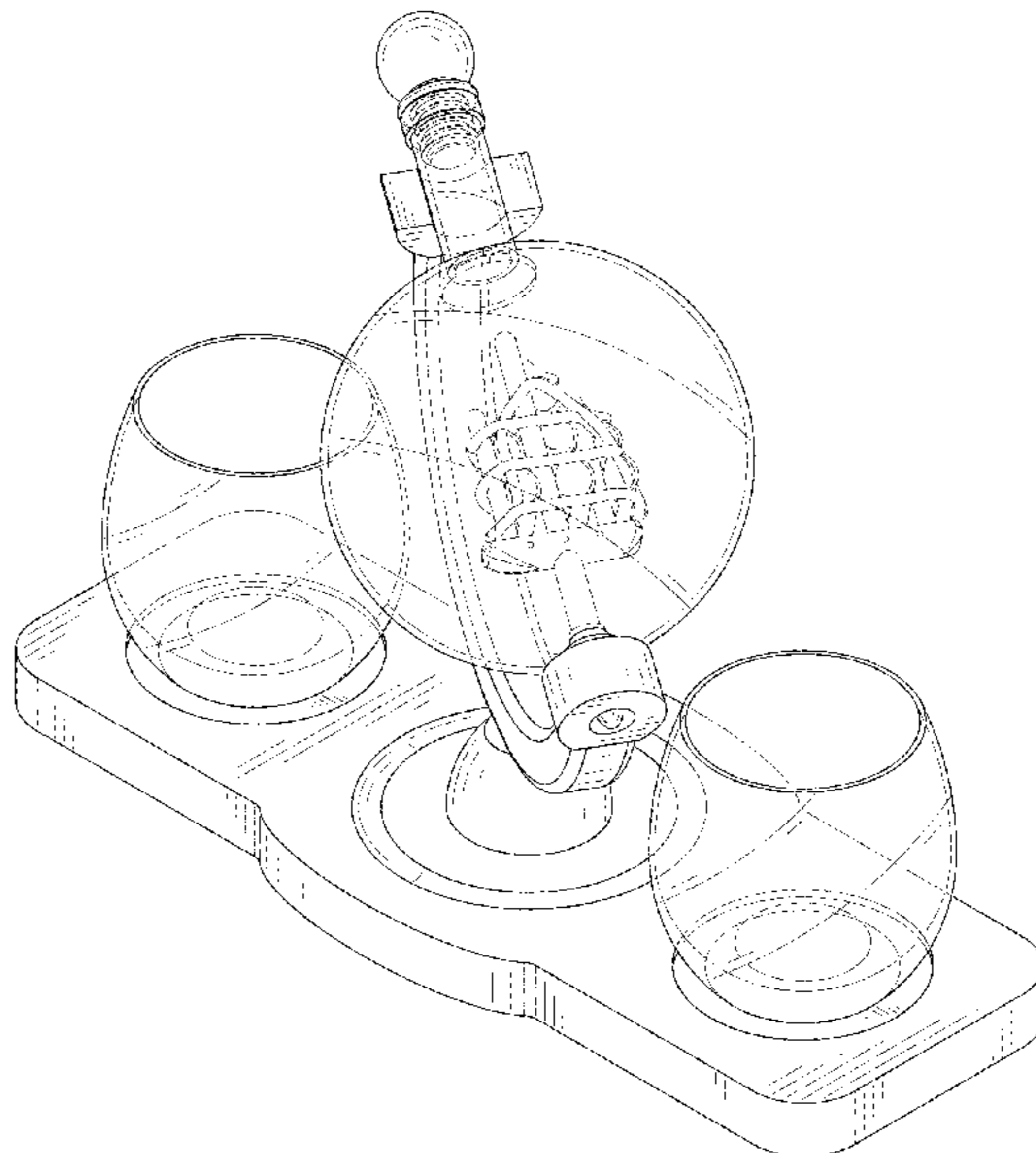
(57) **CLAIM**

The ornamental design for a combined decanter, glasses and base, as shown and described.

DESCRIPTION

FIG. 1 is a top, front perspective view of a combined decanter, glasses and base showing my new design; FIG. 2 is a bottom, rear perspective view thereof; FIG. 3 is a front elevational view thereof; FIG. 4 is a rear elevational view thereof; FIG. 5 is a left side elevational view thereof; FIG. 6 is a right side elevational view thereof; FIG. 7 is a top plan view thereof; and, FIG. 8 is a bottom plan view thereof. The broken lines in the drawings depict portions of the combined decanter, glasses and base that form no part of the claimed design.

1 Claim, 8 Drawing Sheets



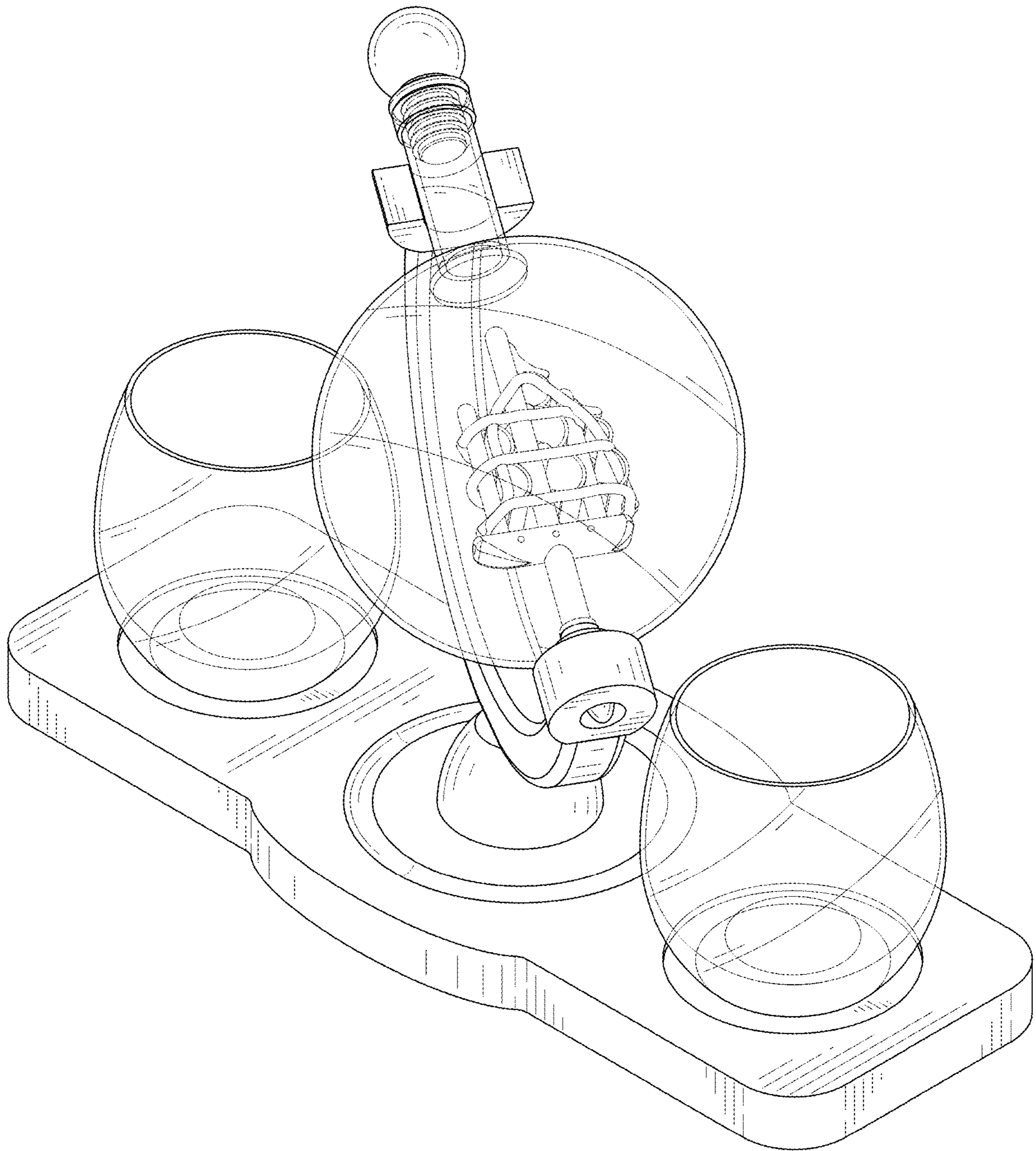


FIG. 1

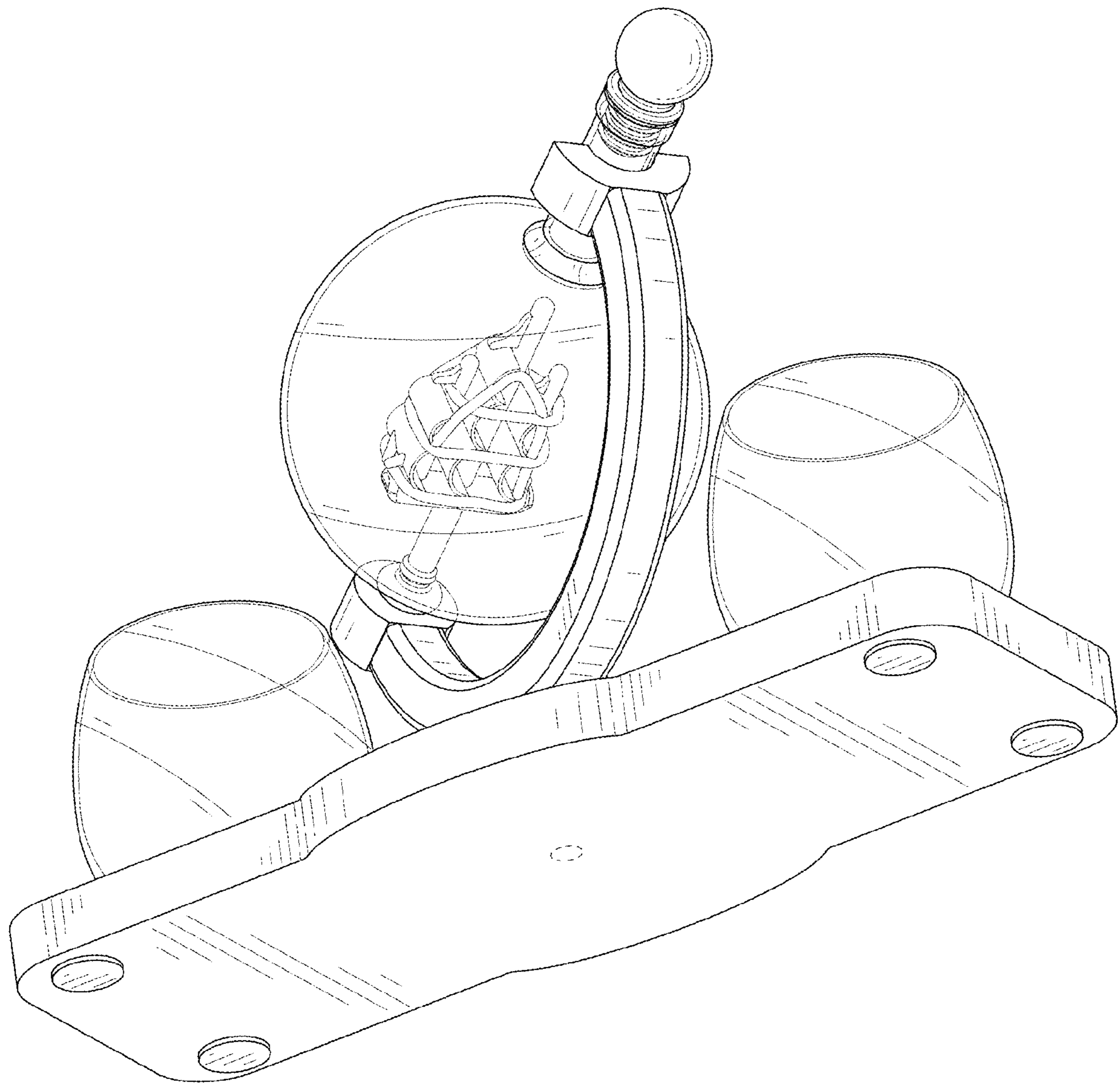


FIG. 2

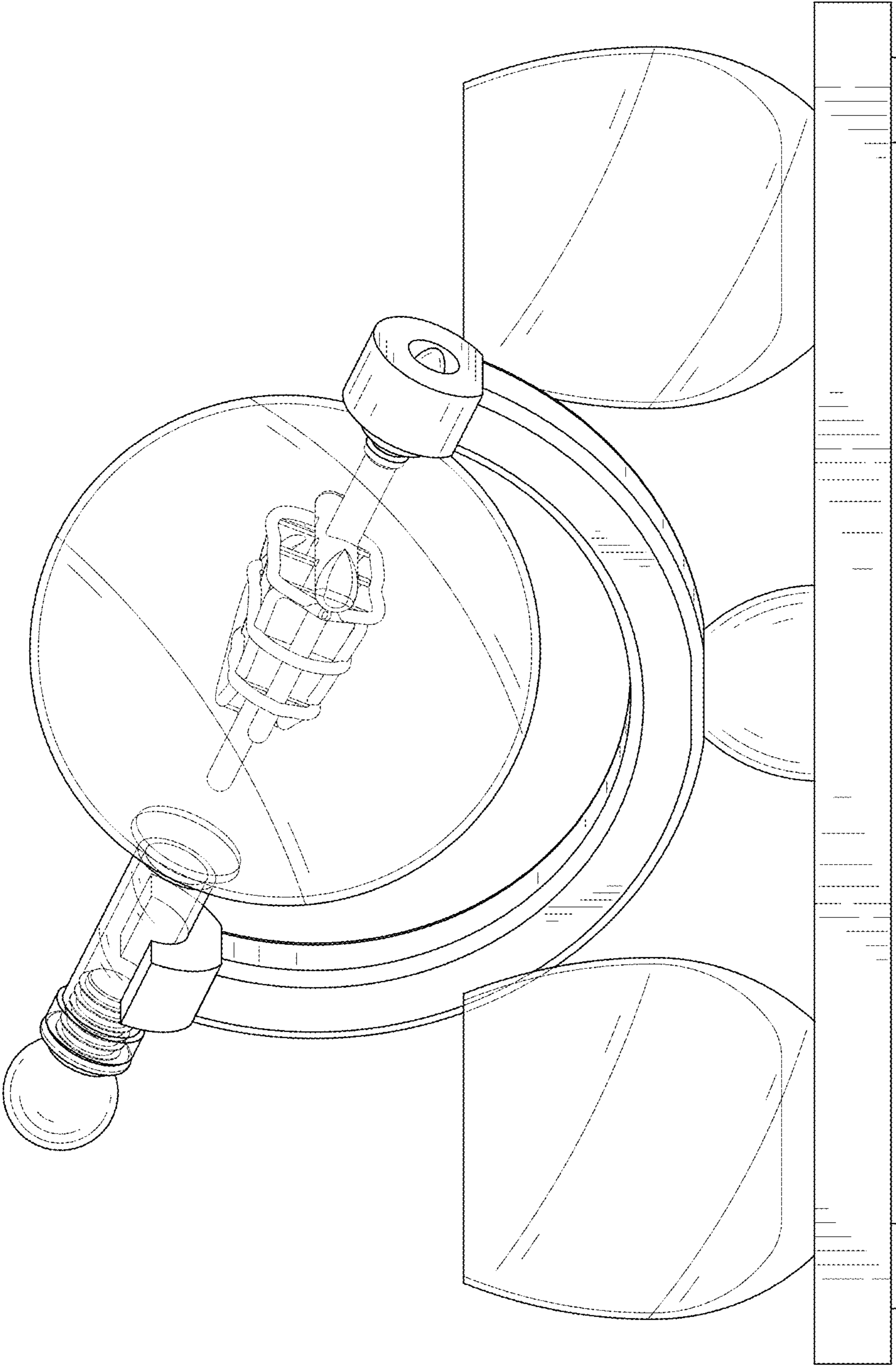


FIG. 3

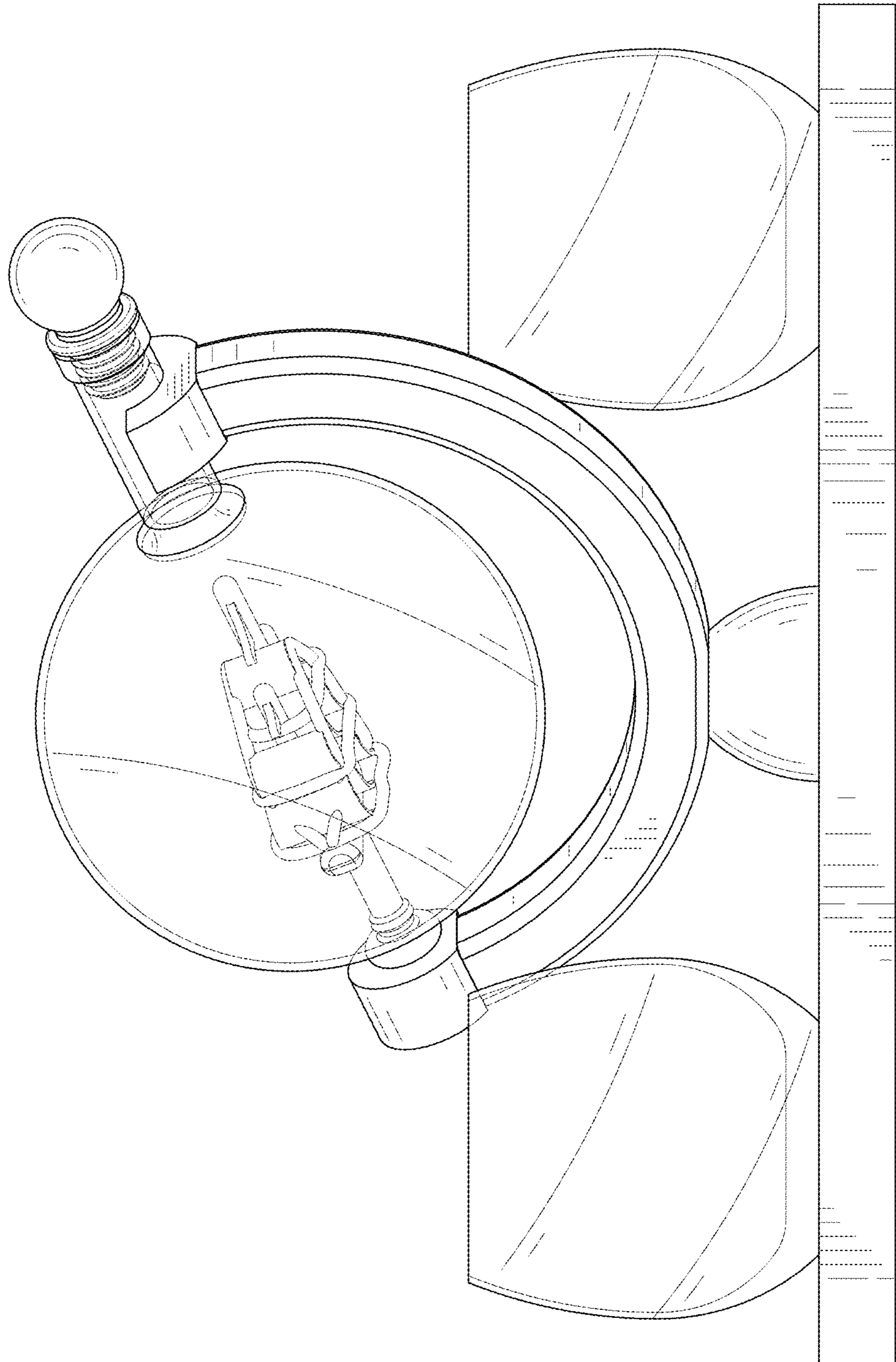


FIG. 4

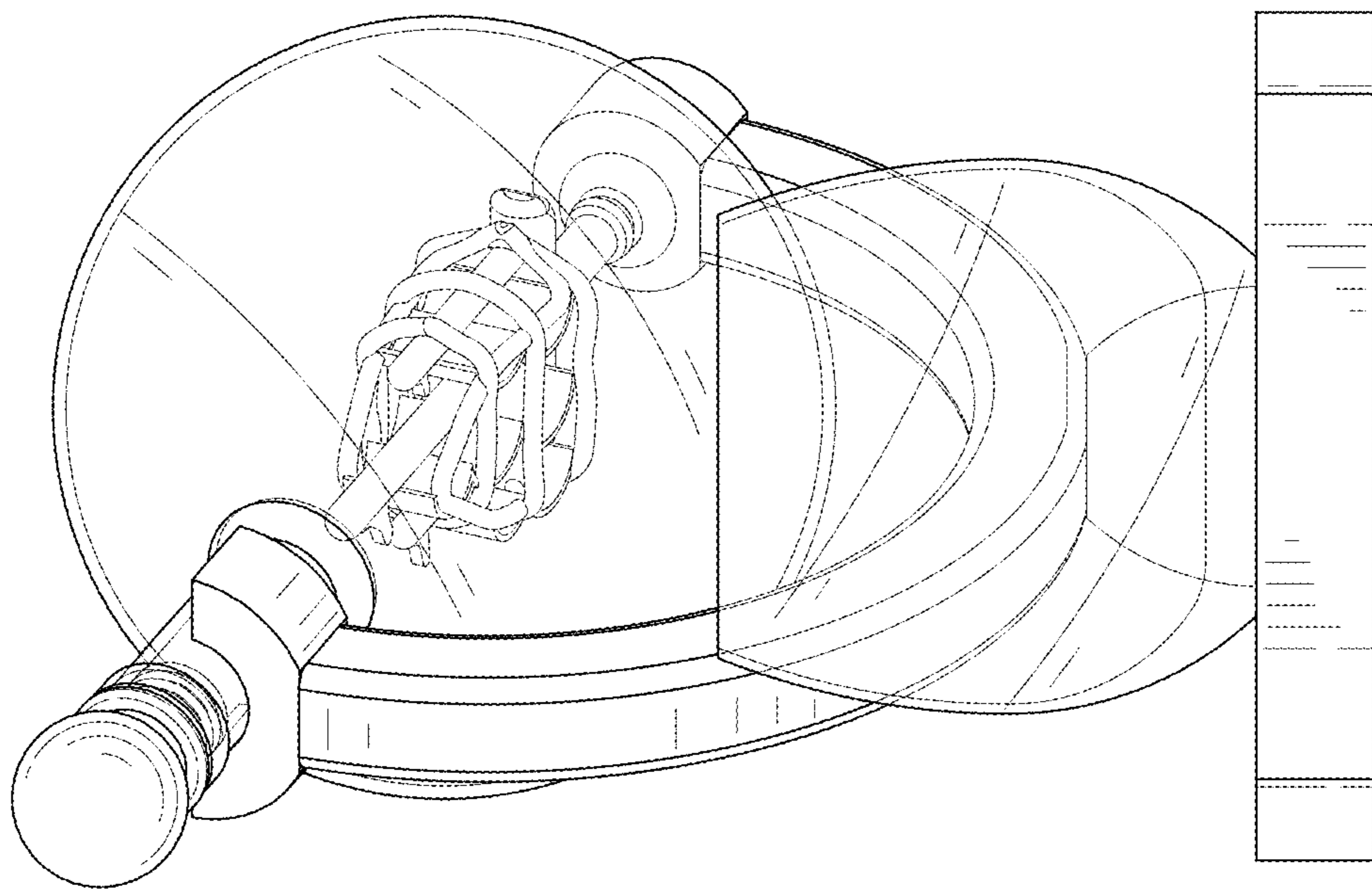


FIG. 5

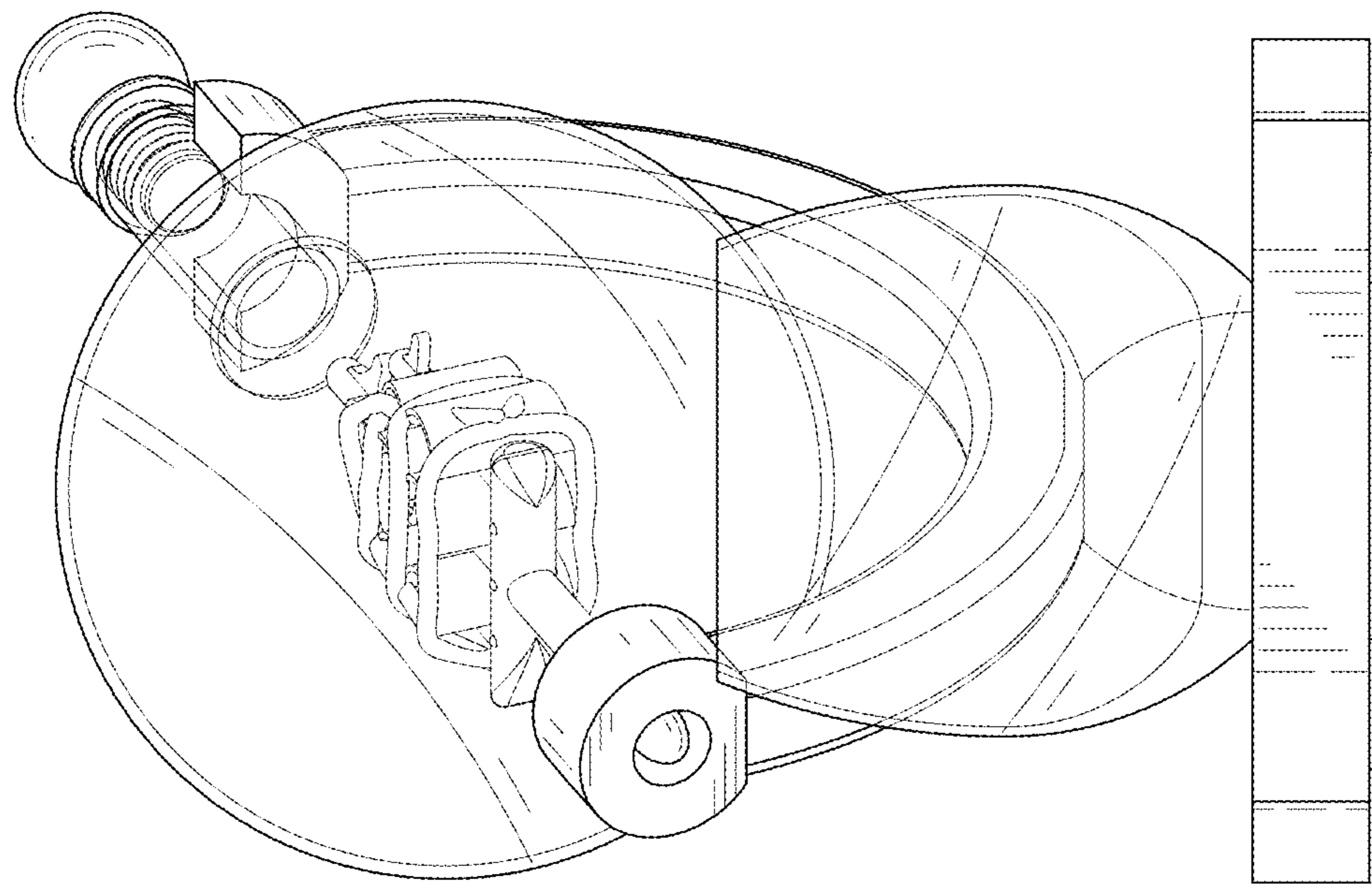


FIG. 6

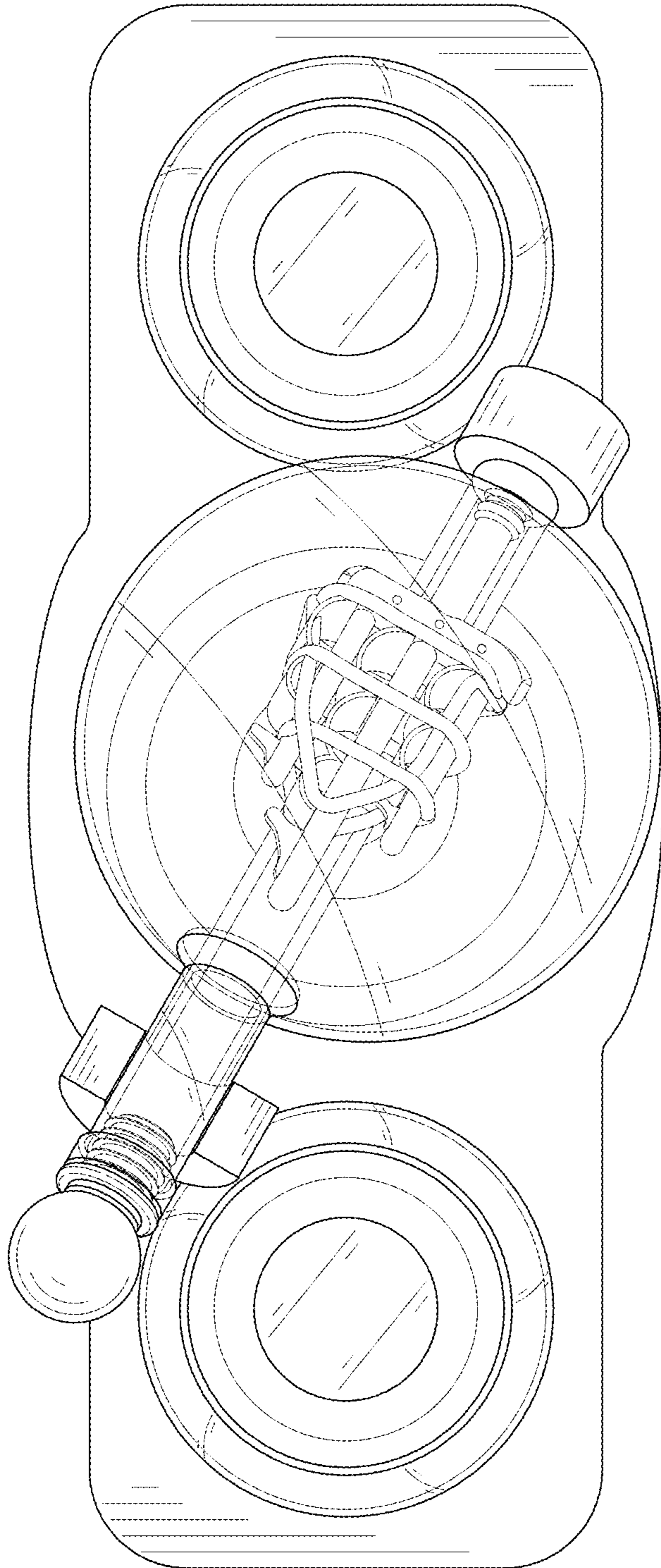


FIG. 7

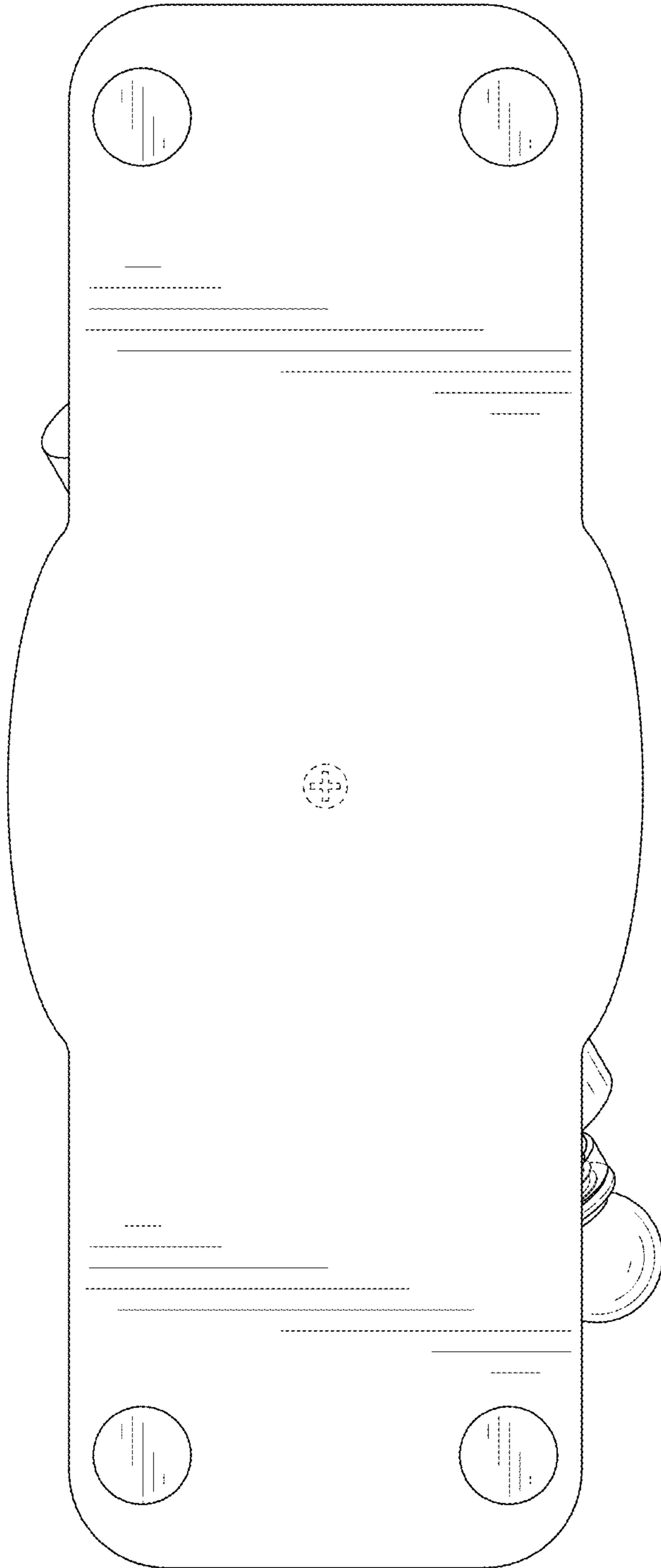


FIG. 8