



US00D972354S

(12) **United States Design Patent** (10) **Patent No.:** **US D972,354 S**
Wang (45) **Date of Patent:** **** Dec. 13, 2022**

(54) **ADJUSTABLE AUTOMOBILE HEADREST**

(71) Applicant: **Shenzhen Huimeng Business Information Technology Co., Ltd., Guangdong (CN)**

(72) Inventor: **Yanli Wang, Guangdong (CN)**

(73) Assignee: **Shenzhen Huimeng Business Information Technology Co., Ltd., Guangdong (CN)**

(**) Term: **15 Years**

(21) Appl. No.: **29/751,027**

(22) Filed: **Sep. 17, 2020**

(30) **Foreign Application Priority Data**

Sep. 4, 2020 (CN) 202030519994.4

(51) **LOC (13) Cl.** **06-06**

(52) **U.S. Cl.**
USPC **D6/716.5**

(58) **Field of Classification Search**
USPC D6/334-336, 356, 364, 365, 366, 367, D6/716, 716.1, 716.4, 716.5, 601; D24/184, 190
CPC A47C 7/38; A47C 7/386; A47C 7/383; B60N 2/00; B60N 2/20; B60N 2/58; B60N 2/64; B60N 2/646; B60N 2/686; B60N 2/80; B60N 2/803; B60N 2/806; B60N 2/882; B60N 2/885; B60N 2/832; B60N 2/856; A61H 23/0218

See application file for complete search history.

(56) **References Cited**

U.S. PATENT DOCUMENTS

D247,312 S * 2/1978 Zeiss D6/601
4,114,948 A * 9/1978 Perkey B60N 2/882
297/391

D251,168 S * 2/1979 Perkey D6/601
5,211,696 A * 5/1993 Lacy A47C 7/383
297/391
5,374,238 A * 12/1994 Xiao A61H 23/0218
601/56
6,669,300 B1 * 12/2003 Lee B60N 2/882
297/397
D542,071 S * 5/2007 Chan D6/601
11,225,180 B2 * 1/2022 Wang B60N 2/882
D949,614 S * 4/2022 Wang D6/716.5

FOREIGN PATENT DOCUMENTS

WO WO-2011089581 A1 * 7/2011 A47C 7/383

* cited by examiner

Primary Examiner — Mimoso De

(74) *Attorney, Agent, or Firm* — ScienBiziP, P.C.

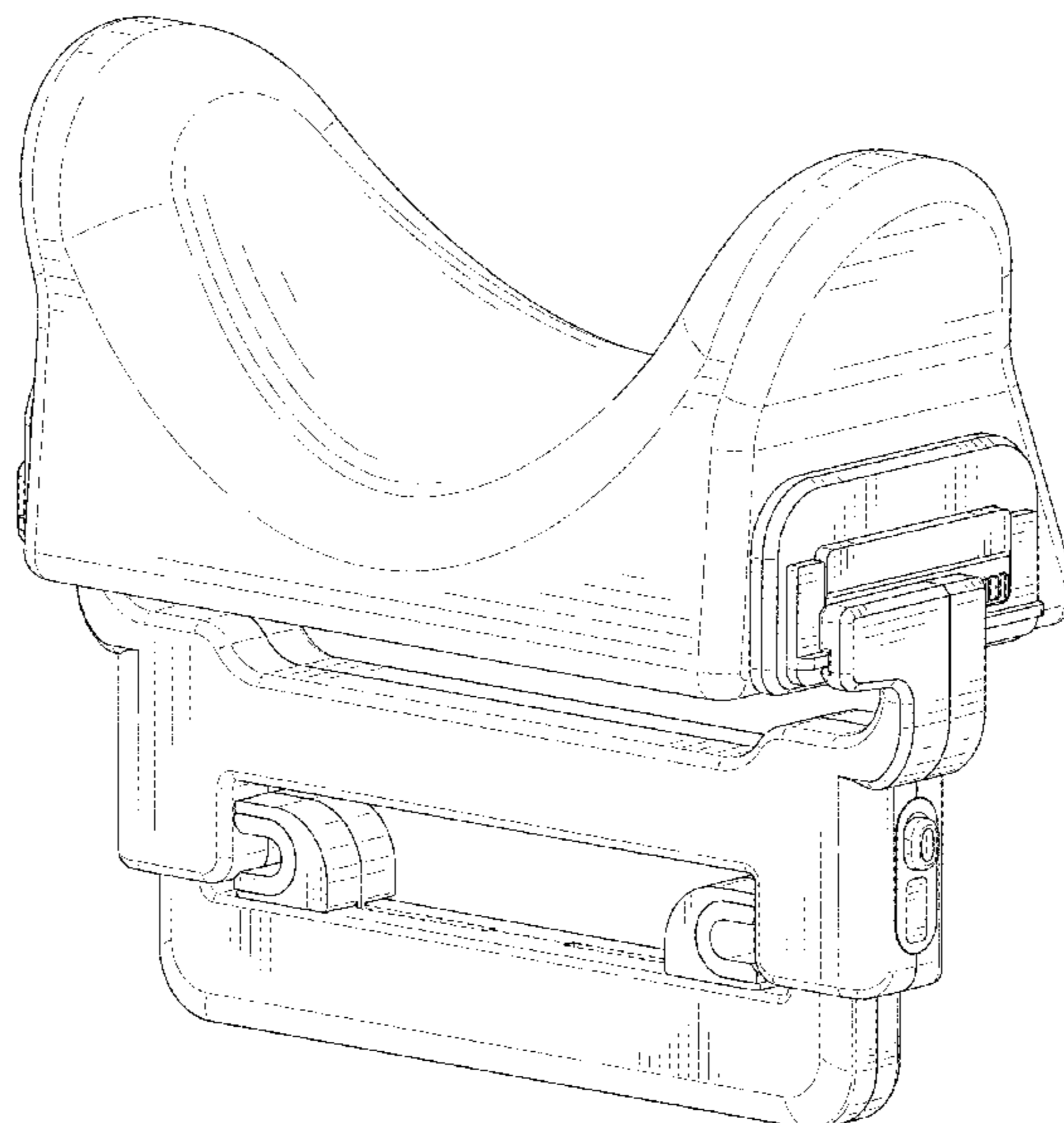
(57) **CLAIM**

The ornamental design for an adjustable automobile headrest, as shown and described.

DESCRIPTION

FIG. 1 is a perspective view of an adjustable automobile headrest, showing our design.
FIG. 2 is another perspective view thereof.
FIG. 3 is a front elevation view thereof.
FIG. 4 is a rear elevation view thereof.
FIG. 5 is a left side elevation view thereof.
FIG. 6 is a right side elevation view thereof.
FIG. 7 is a top plan view thereof; and,
FIG. 8 is a bottom plan view thereof.
The broken lines in the drawings depict environmental structure and boundaries and form no part of the claimed design.

1 Claim, 8 Drawing Sheets



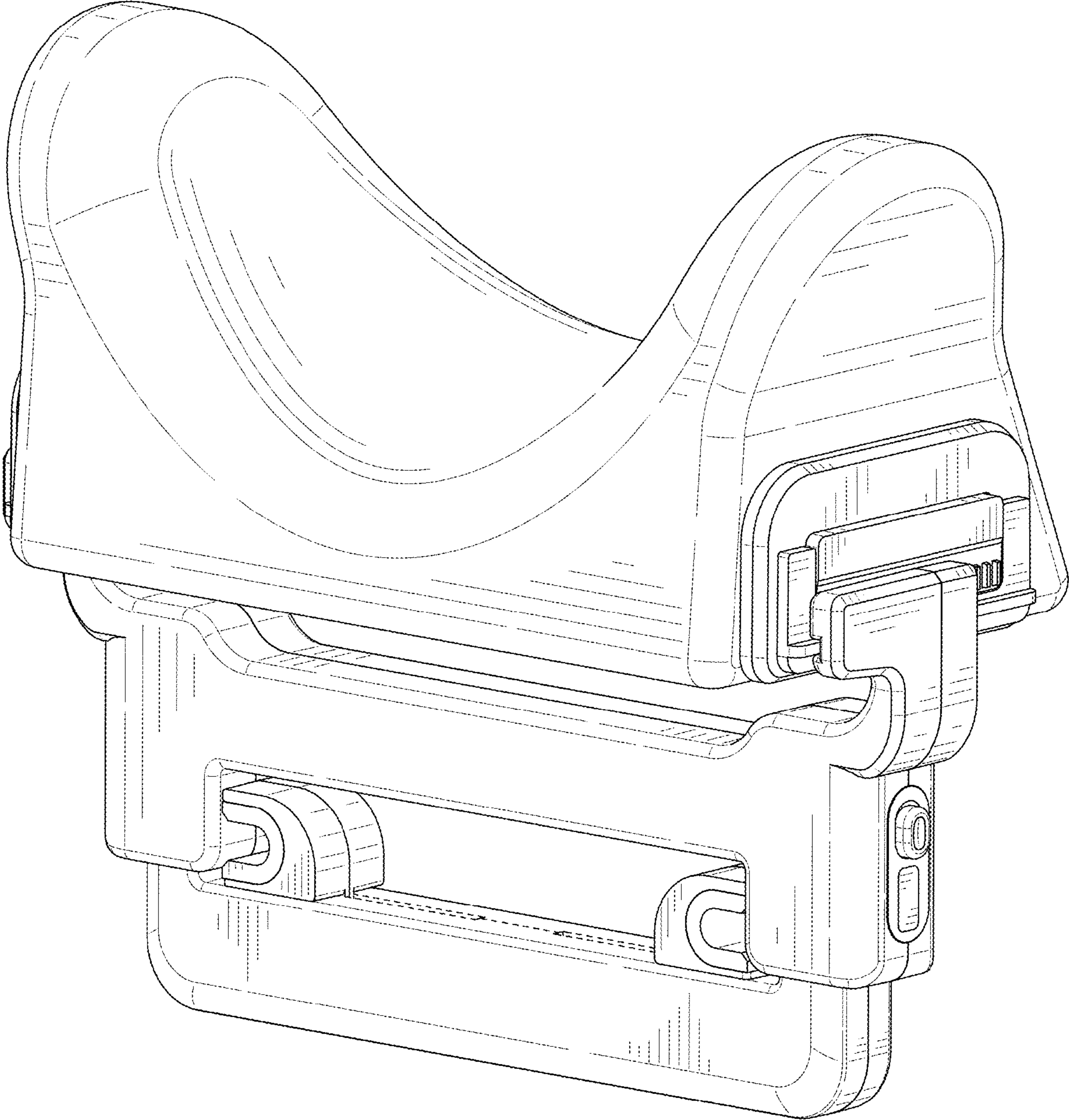


FIG. 1

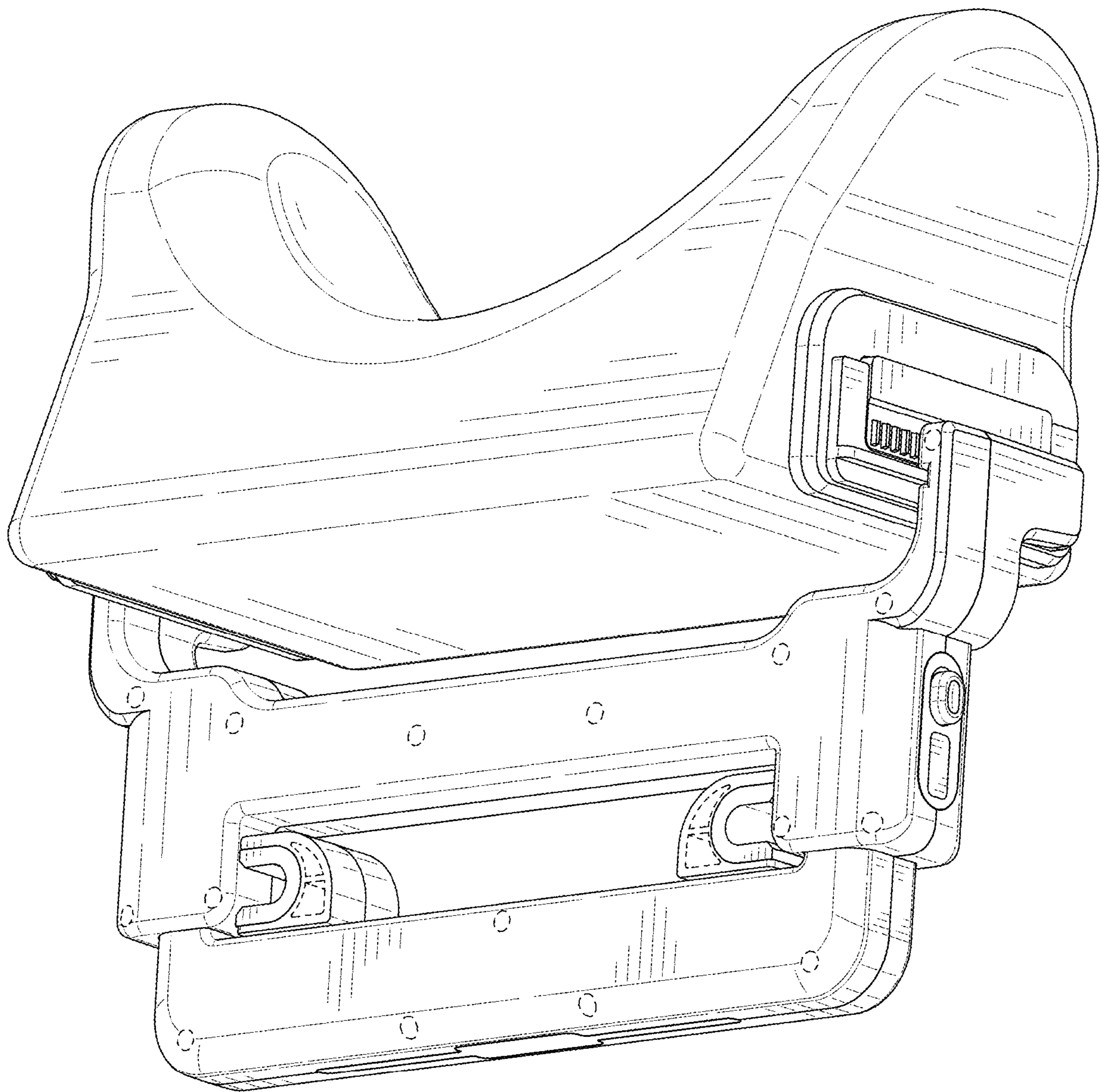


FIG. 2

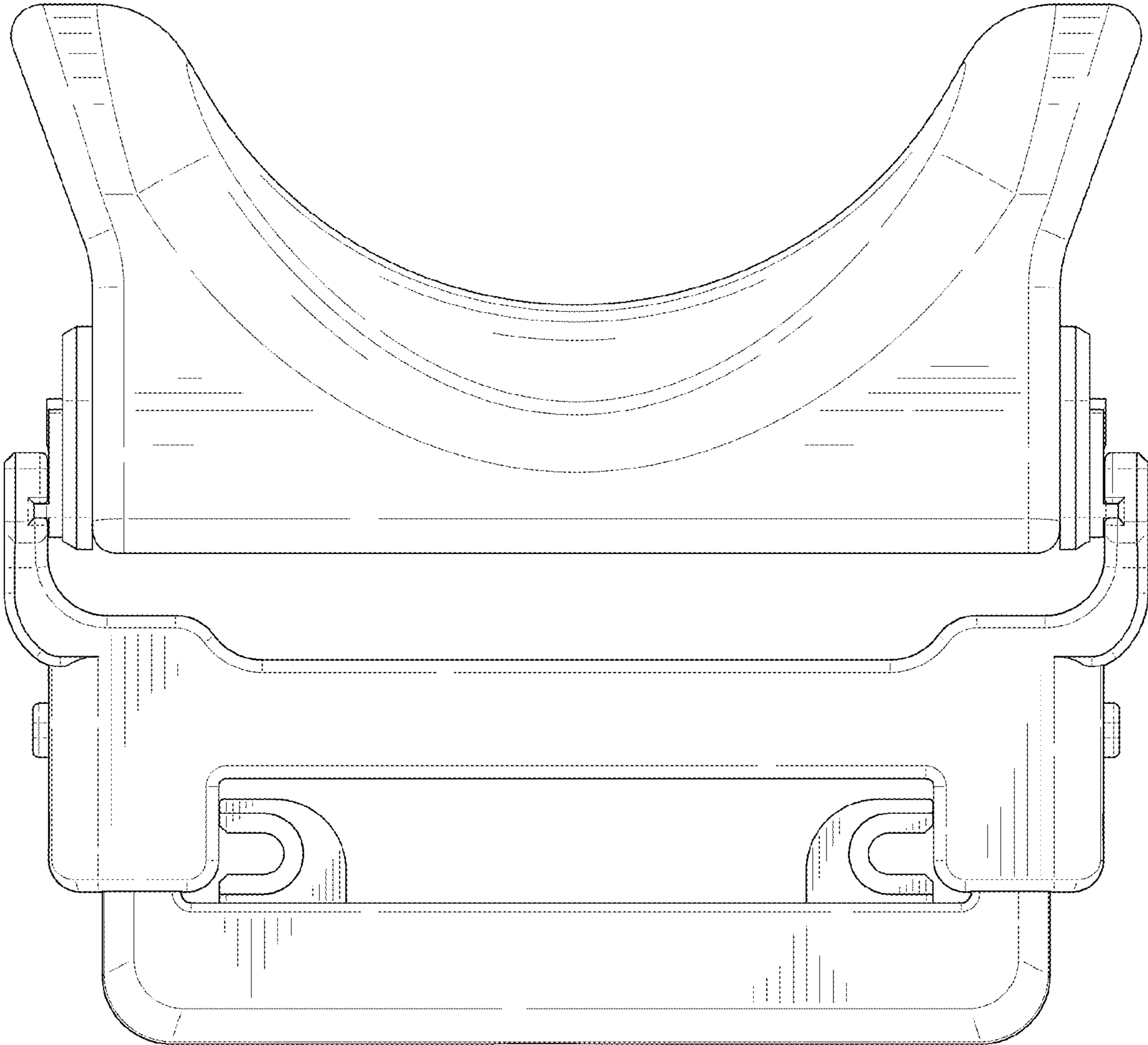


FIG. 3

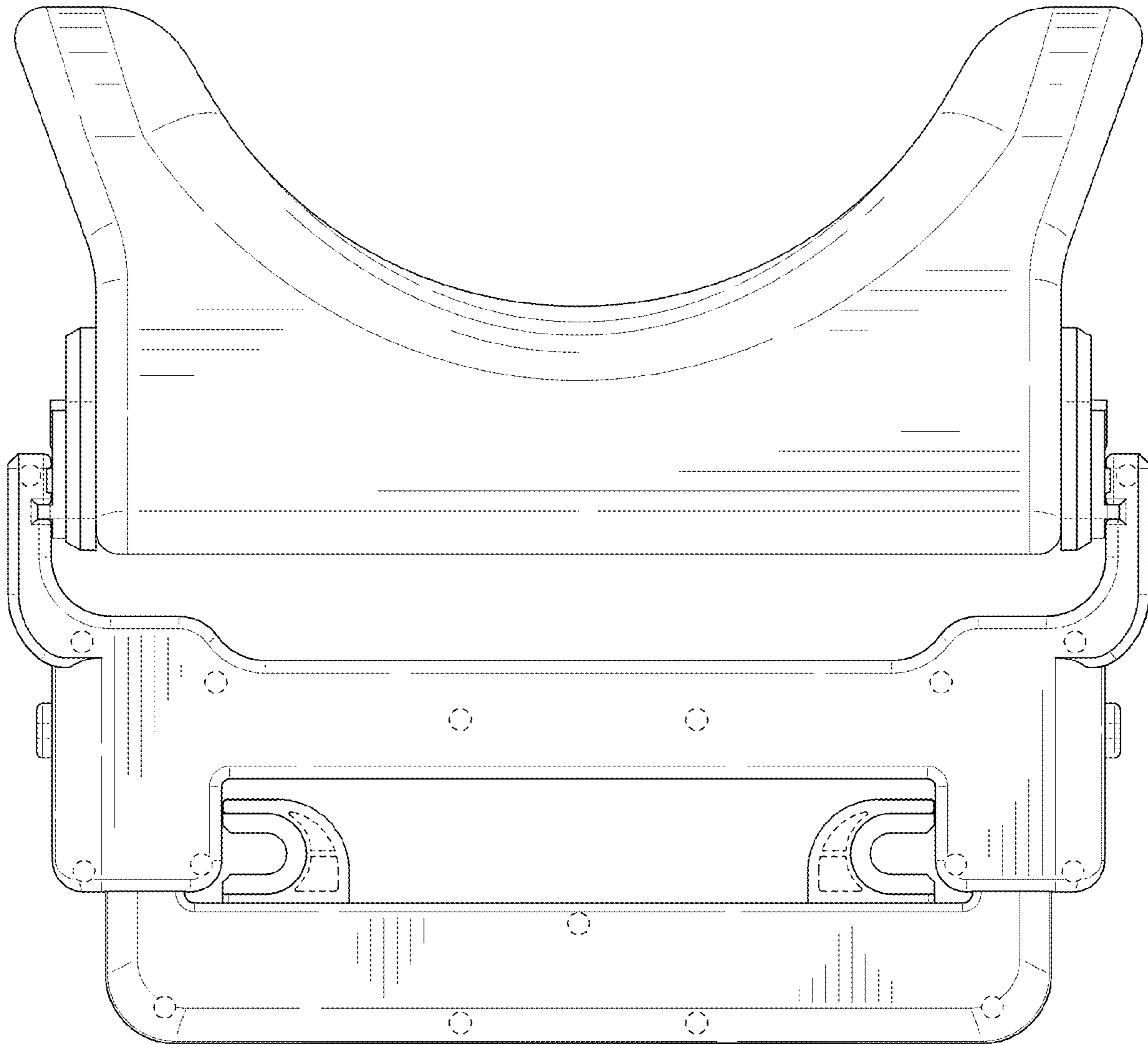


FIG. 4

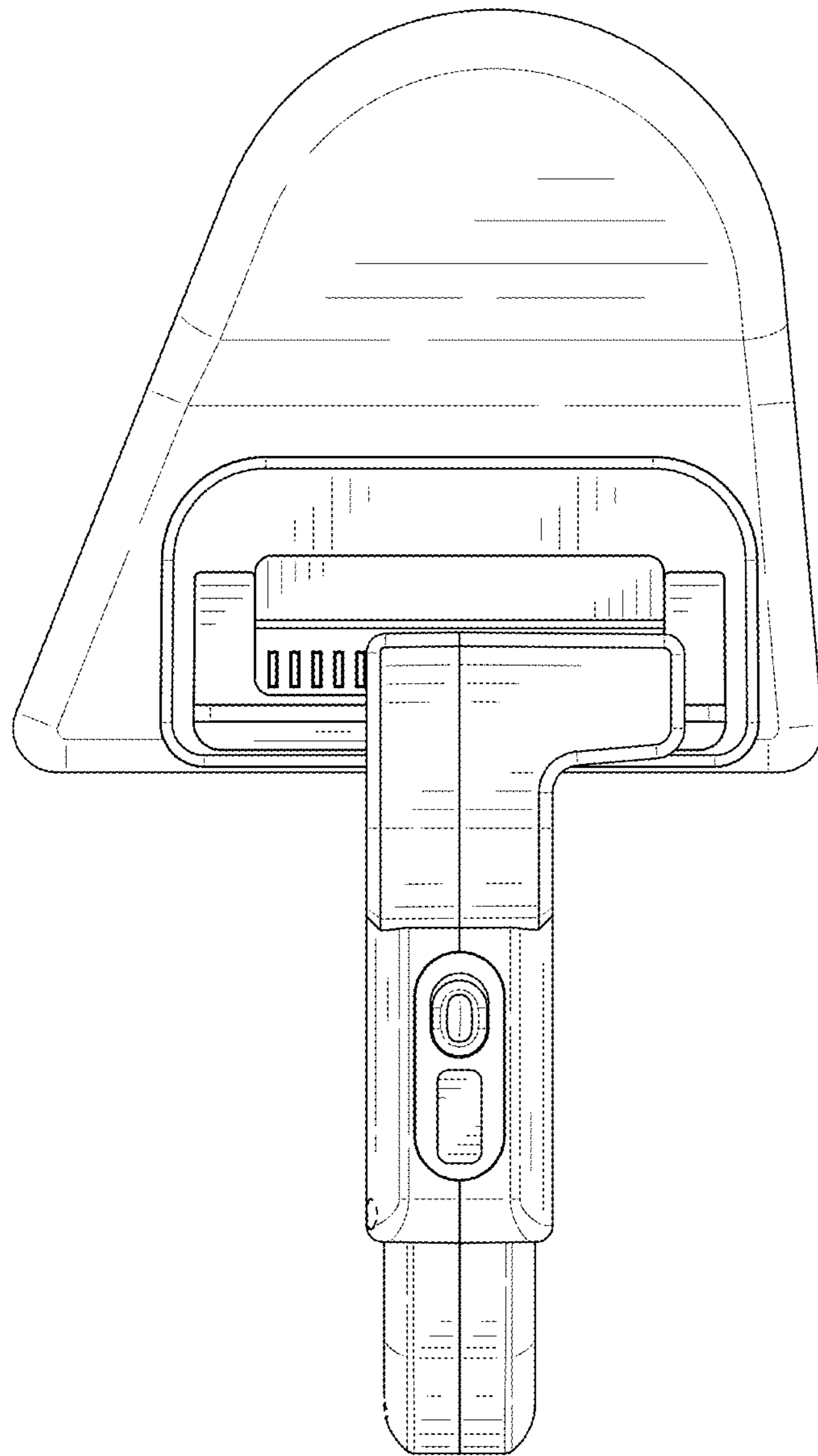


FIG. 5

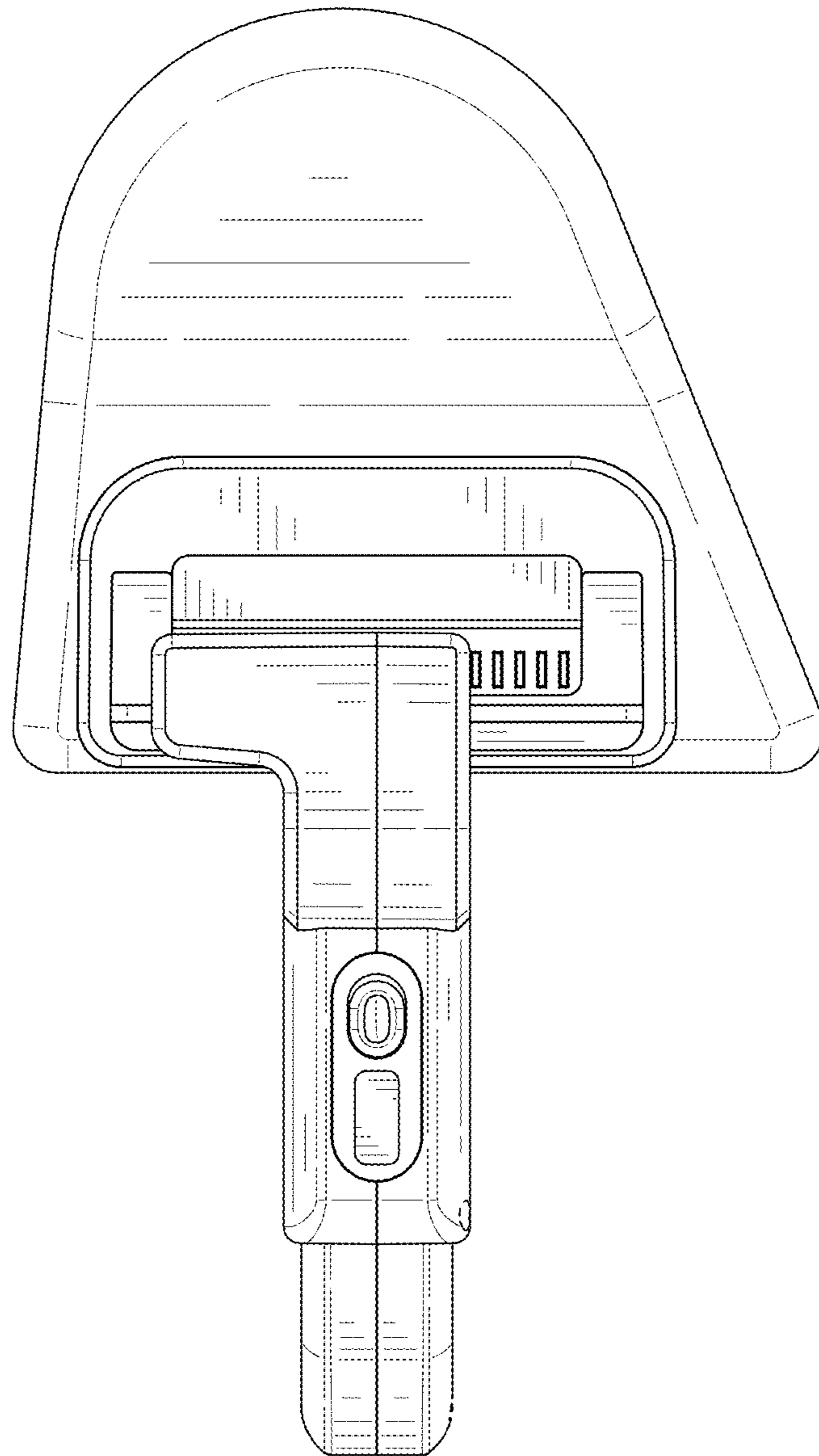


FIG. 6

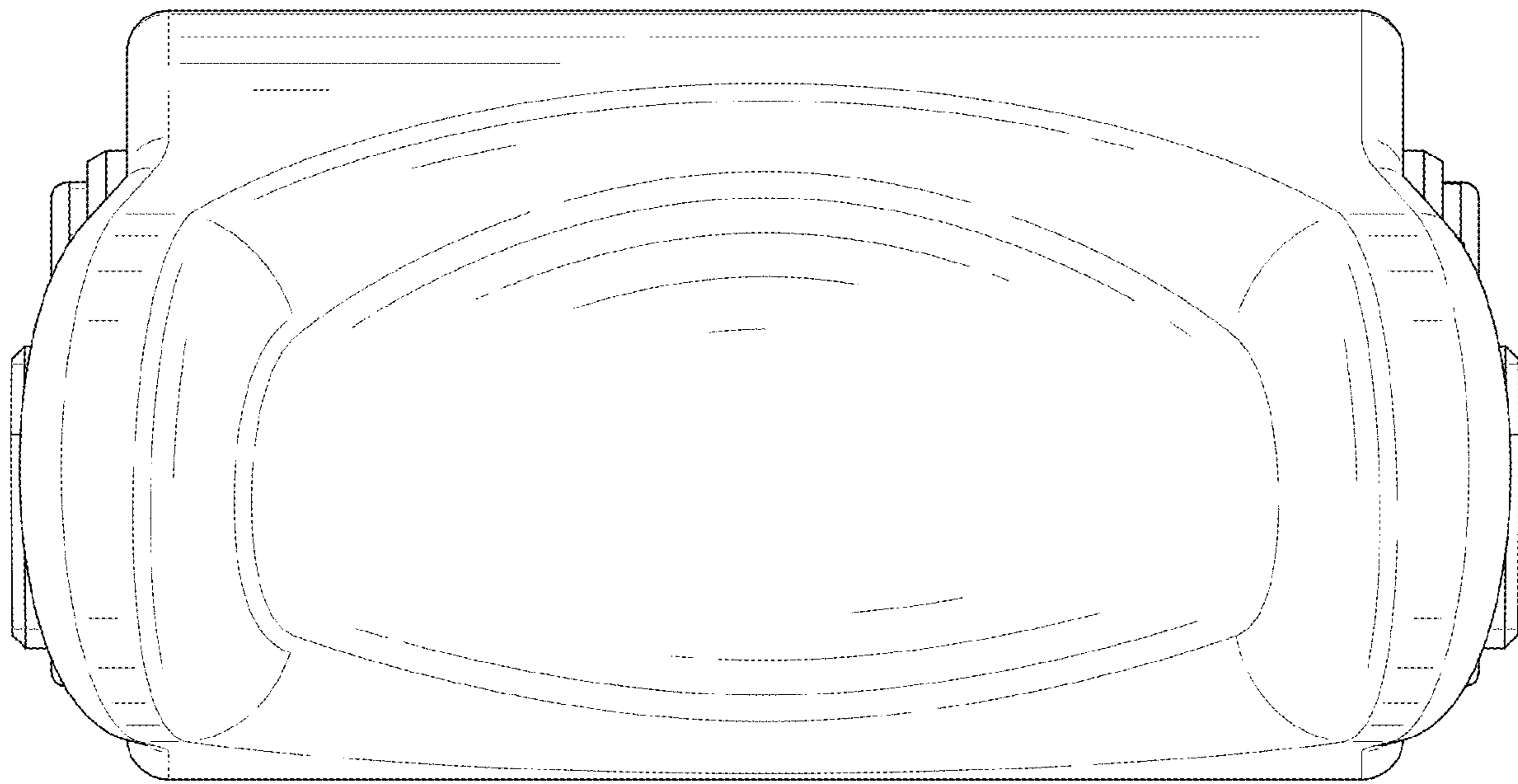


FIG. 7

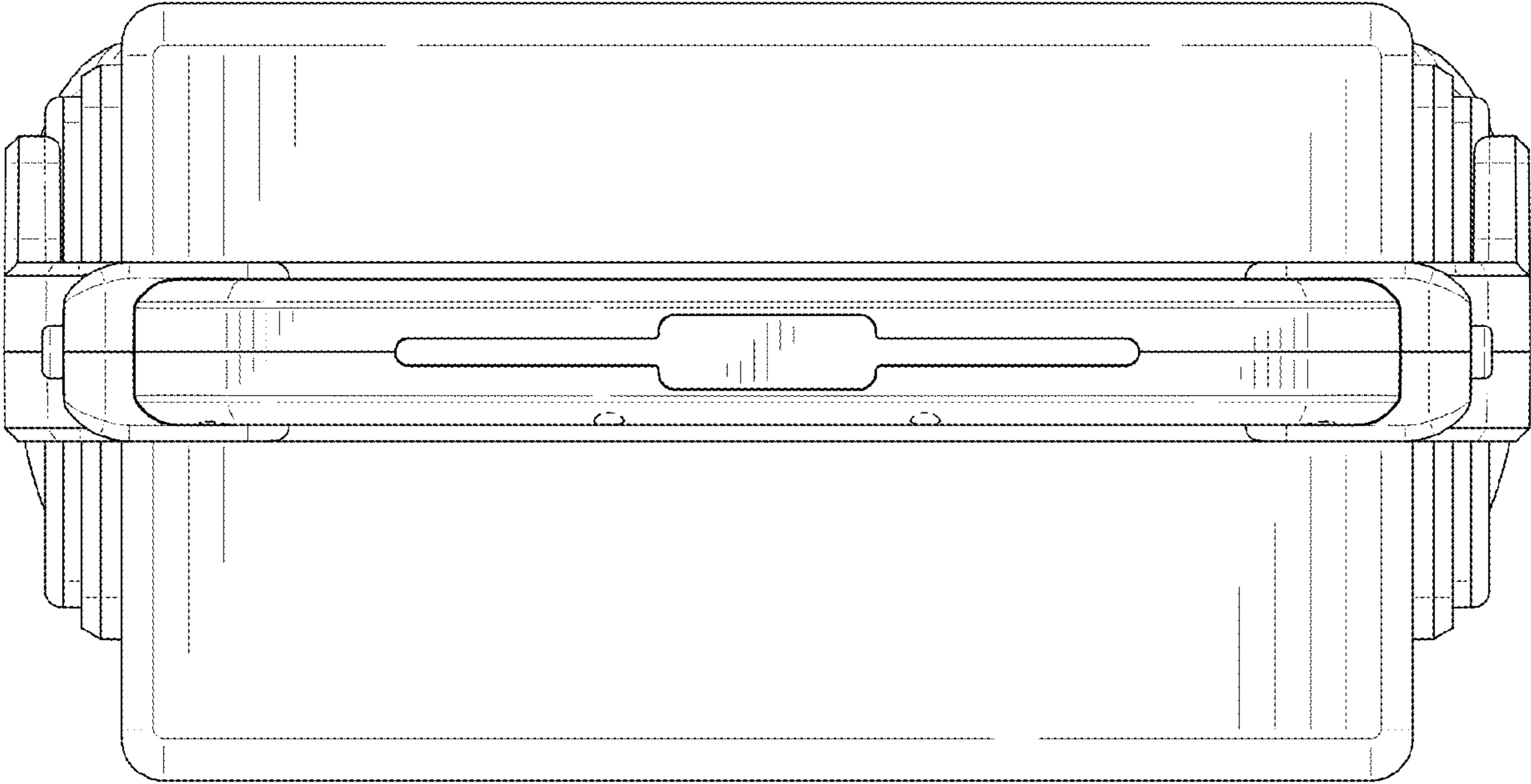


FIG. 8