



US00D972353S

(12) **United States Design Patent** (10) **Patent No.:** **US D972,353 S**  
**Kumazawa** (45) **Date of Patent:** **\*\* Dec. 13, 2022**

(54) **CHAIR**  
(71) Applicant: **Aichi Co., Ltd.**, Aichi-ken (JP)  
(72) Inventor: **Taku Kumazawa**, Nagoya (JP)  
(\*\*) Term: **15 Years**  
(21) Appl. No.: **35/511,187**  
(22) Filed: **Jul. 17, 2020**

D852,554 S \* 7/2019 Geelen ..... D6/673  
D853,143 S \* 7/2019 Kumazawa ..... D6/373  
D887,760 S \* 6/2020 Guelfo ..... D6/716.2  
D888,479 S \* 6/2020 Ludwig ..... D6/716.2

FOREIGN PATENT DOCUMENTS

JP D1376732 S 12/2009  
JP D1458898 S 1/2013  
JP D1478054 S 8/2013  
JP D1482466 S 10/2013  
JP D1482588 S 10/2013

(Continued)

(80) **Hague Agreement Data**

Int. Filing Date: **Jul. 17, 2020**  
Int. Reg. No.: **DM/209539**  
Int. Reg. Date: **Jul. 17, 2020**  
Int. Reg. Pub. Date: **Jan. 22, 2021**

OTHER PUBLICATIONS

Armrest (SX\_A), Axona Aichi X50 Chair, p. 3—axona Aichi About Products Award Information, 2017, 2018, 2020 axona AICHI.com—<https://www.axona-aichi.com/en/products/chairs/x50> retrieved from the internet on May 25, 2022.\*

(Continued)

*Primary Examiner* — Mary Ann Calabrese

(51) **LOC (13) Cl.** ..... **06-06**  
(52) **U.S. Cl.**  
USPC ..... **D6/716.2**  
(58) **Field of Classification Search**  
USPC ..... D6/334, 371–373, 376, 379–381, 716,  
D6/716.2, 716.3  
CPC .... A47C 7/00; A47C 7/02; A47C 7/16; A47C  
7/18; A47C 7/36; A47C 7/40; A47C 7/50;  
A47C 7/54

(57) **CLAIM**

The ornamental design for a chair, as shown and described.

See application file for complete search history.

**DESCRIPTION**

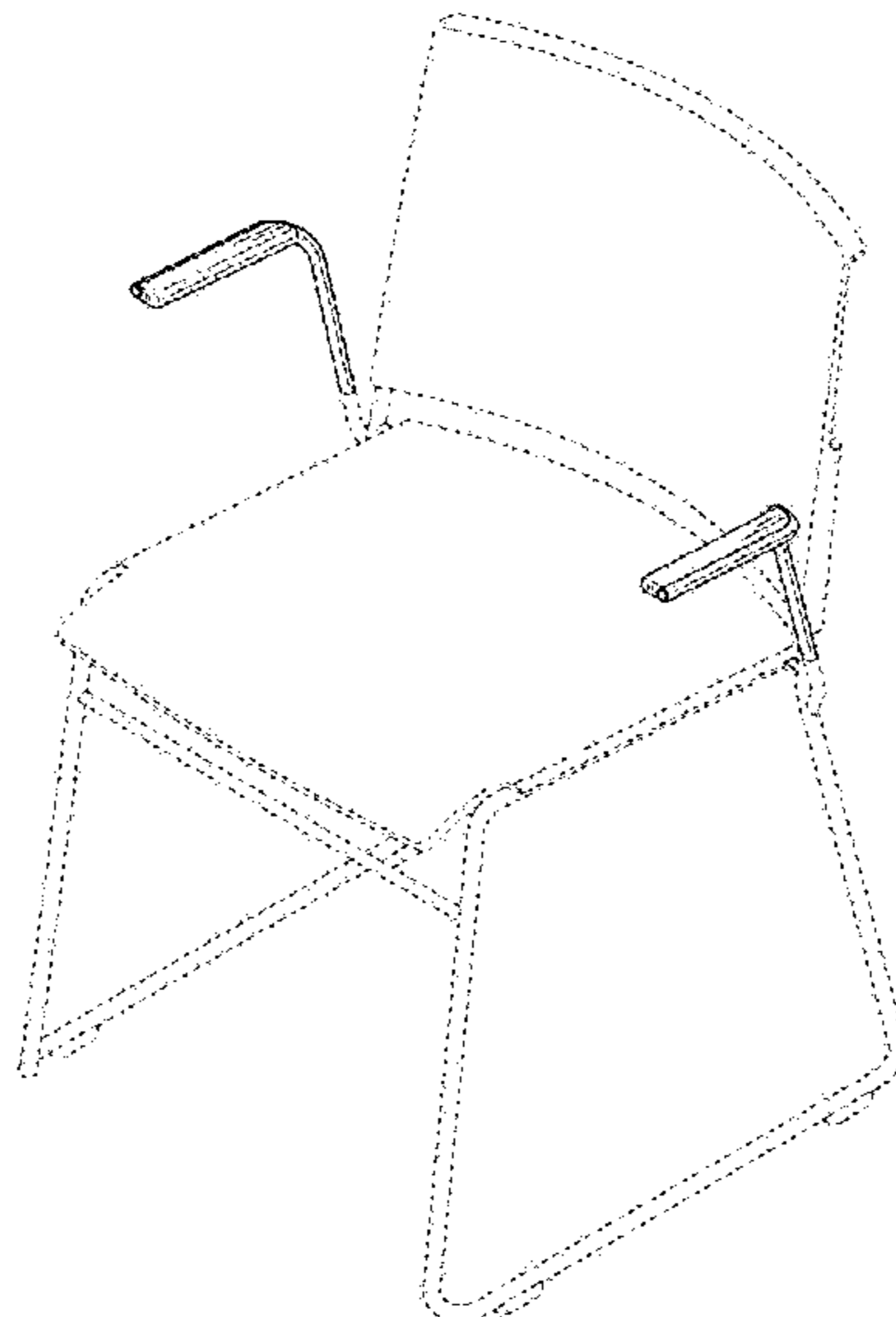
**2.1:** an top perspective view of the chair.  
**2.2:** a bottom perspective view thereof.  
**2.3:** a front elevational view thereof.  
**2.4:** a rear elevational view thereof.  
**2.5:** a top plan view thereof.  
**2.6:** a bottom plan view thereof.  
**2.7:** a left elevational view thereof.  
**2.8:** a right elevational view thereof.  
In the drawings, the dash-dash broken lines show portions of the chair that form no part of the claimed design. The dot-dash-dot lines define the boundaries of the claim and form no part thereof.

(56) **References Cited**

U.S. PATENT DOCUMENTS

3,278,227 A \* 10/1966 Rowland ..... A47C 1/124  
297/239  
D525,057 S \* 7/2006 Koch ..... D6/366  
D618,004 S \* 6/2010 DeSanta ..... D6/366  
D620,273 S \* 7/2010 Brooks ..... D6/373  
D655,102 S \* 3/2012 Yetman ..... D6/373  
D661,135 S \* 6/2012 Diffrient ..... A47C 1/124  
D6/716.2  
D731,806 S \* 6/2015 Olano Jauregui ..... D6/373  
D771,989 S \* 11/2016 Giugiaro ..... D6/716.2  
D829,033 S \* 9/2018 Peterson ..... D6/366

**1 Claim, 8 Drawing Sheets**



(56)

**References Cited**

FOREIGN PATENT DOCUMENTS

JP D1578199 S 6/2017

OTHER PUBLICATIONS

Notice of Reasons for Rejection for Japanese Design Application No. 2020-014872 dated Apr. 27, 2021 (4 pages including English translation).

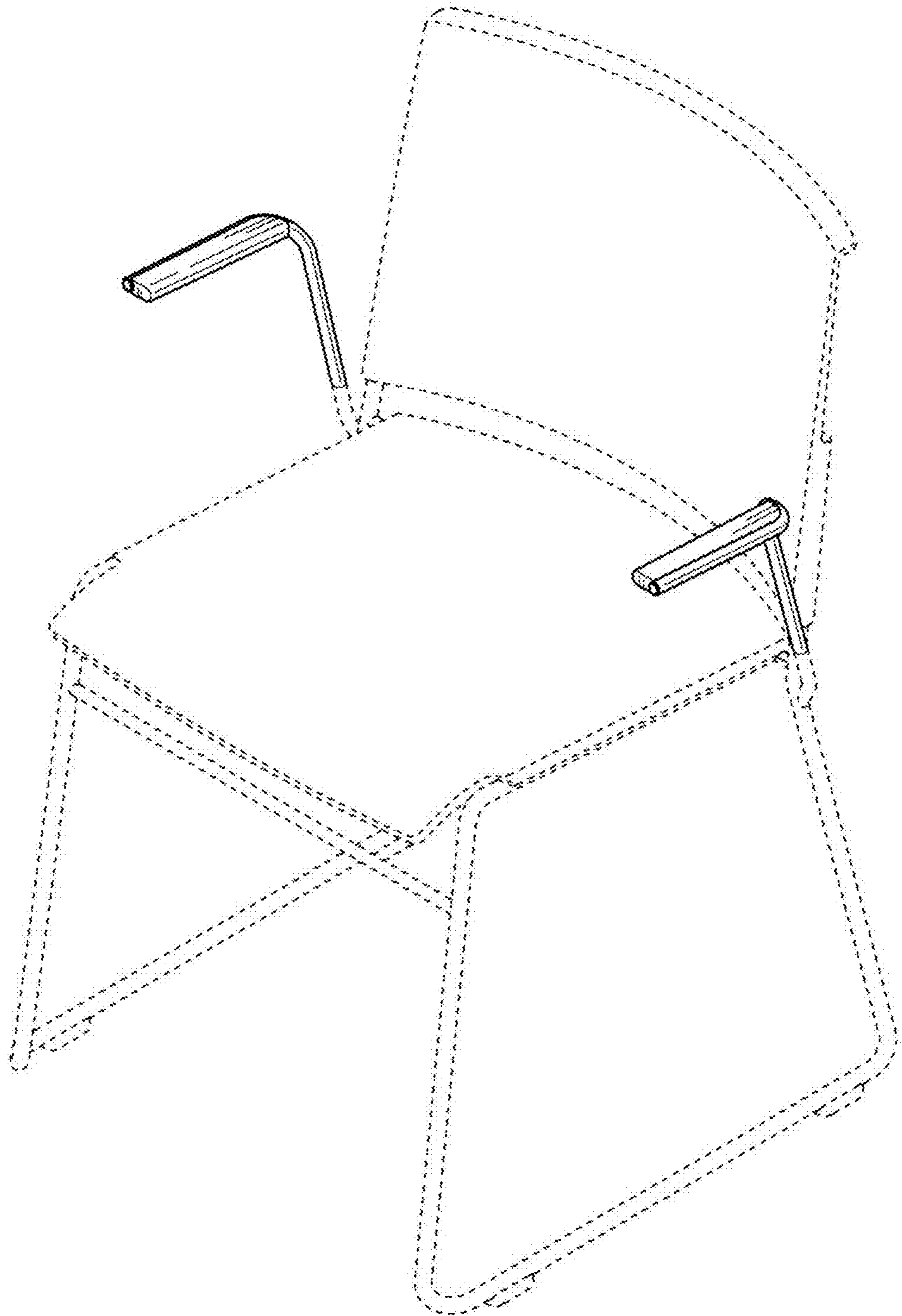
Decision of Rejection for Japanese Design Application No. 2020-014872 dated Oct. 12, 2021 (2 pages including English translation).

Notification of Refusal for Korean Territorial Extension of International Design Registration No. DM/209539 dated Jan. 11, 2022, 4 pages.

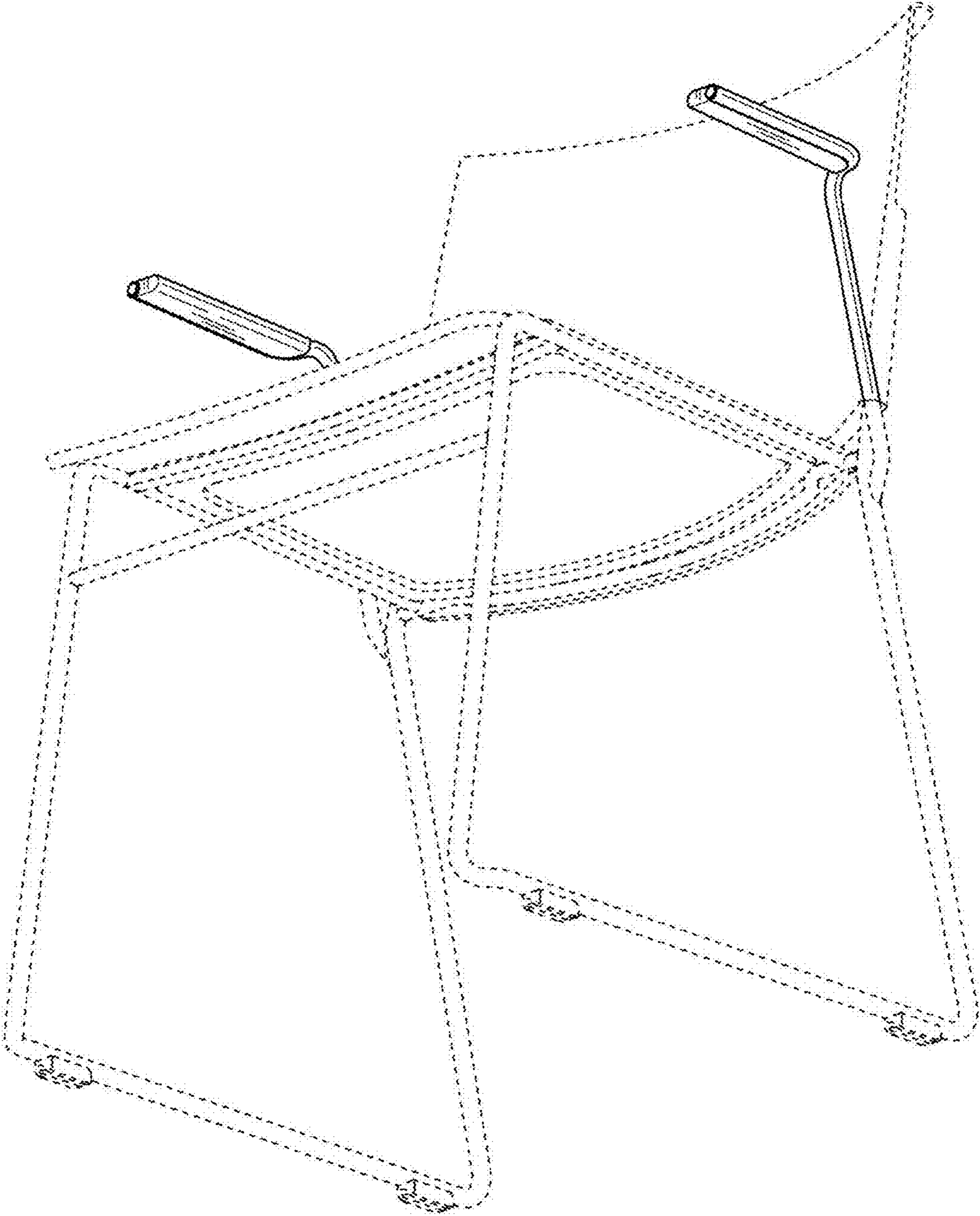
Axona Aichi Product Catalog entry for X50-SX-A [retrieved on Mar. 28, 2022]. Retrieved from the Internet: <URL:https://www.axona-aichi.com/digitalbook/catalog/x50/#page=9>, 1 page.

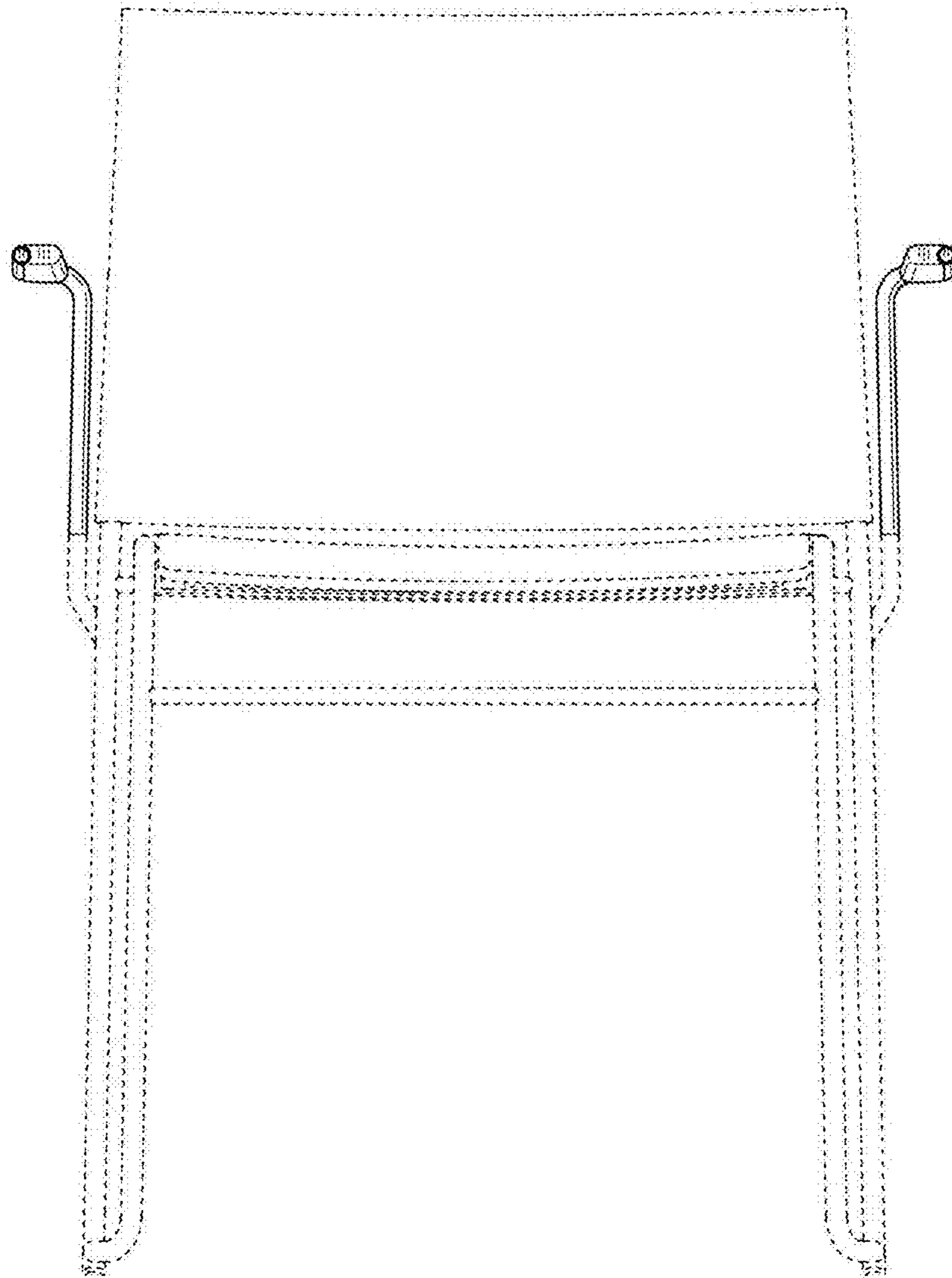
\* cited by examiner

2.1



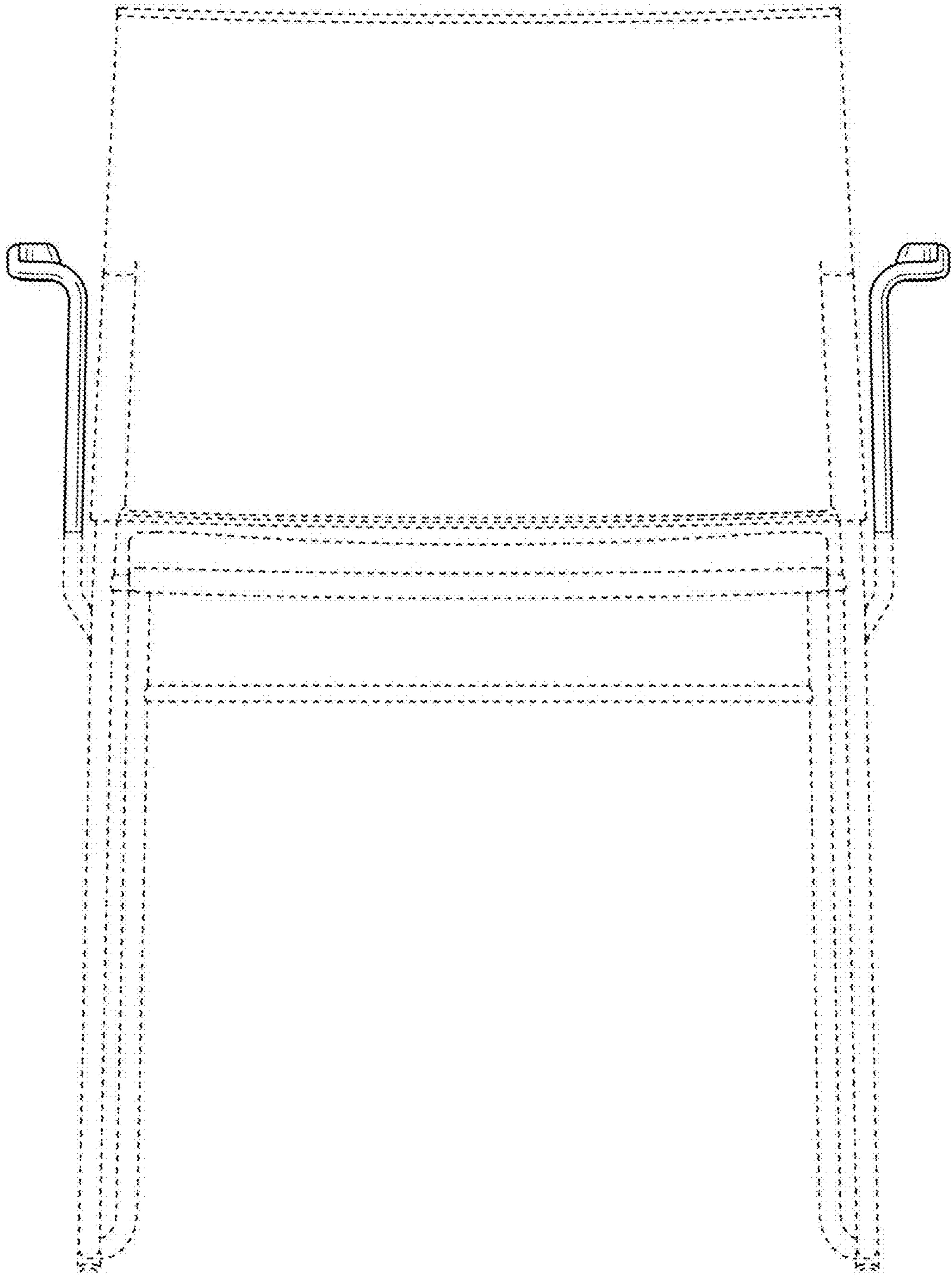
2.2

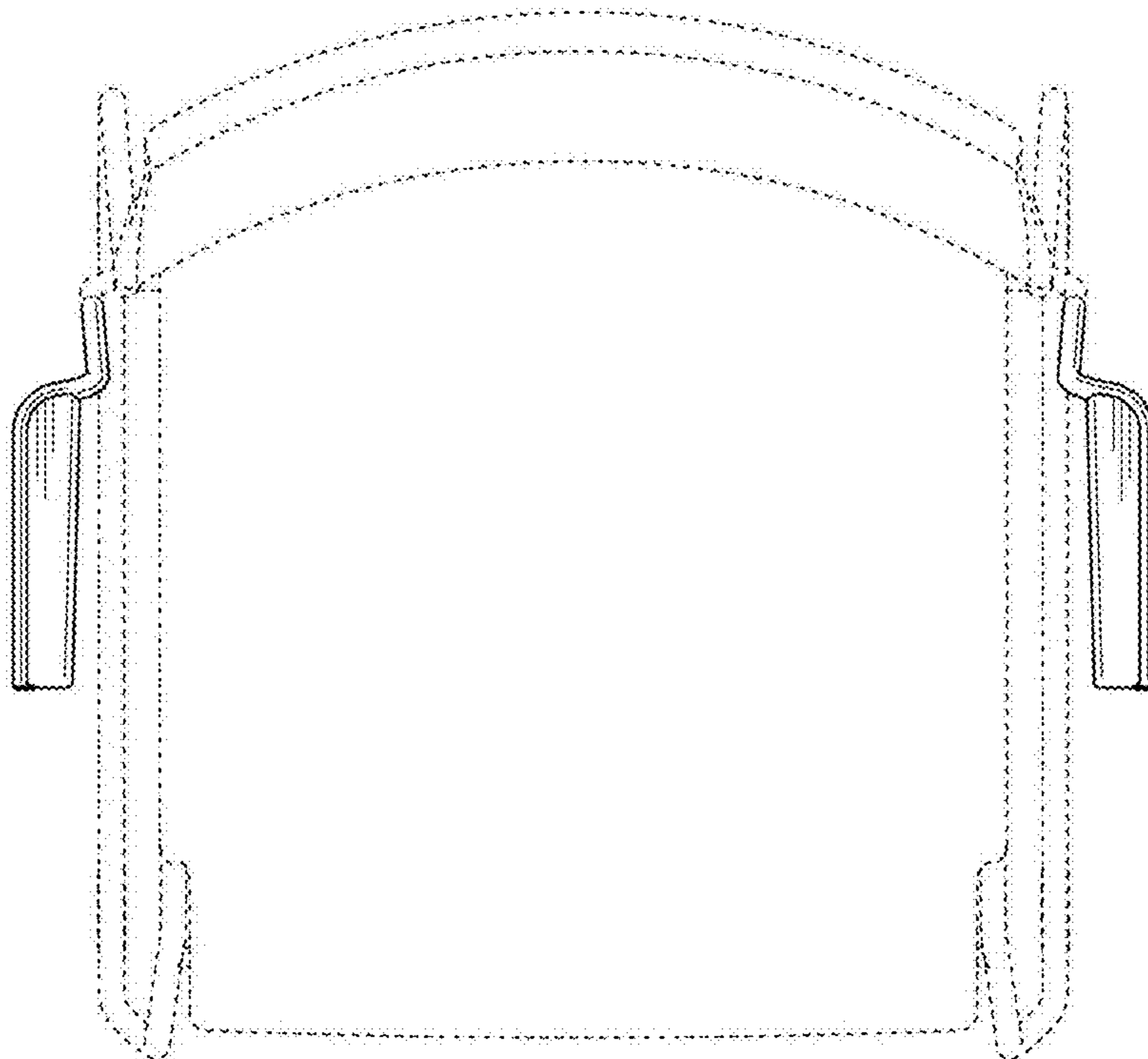




2.3

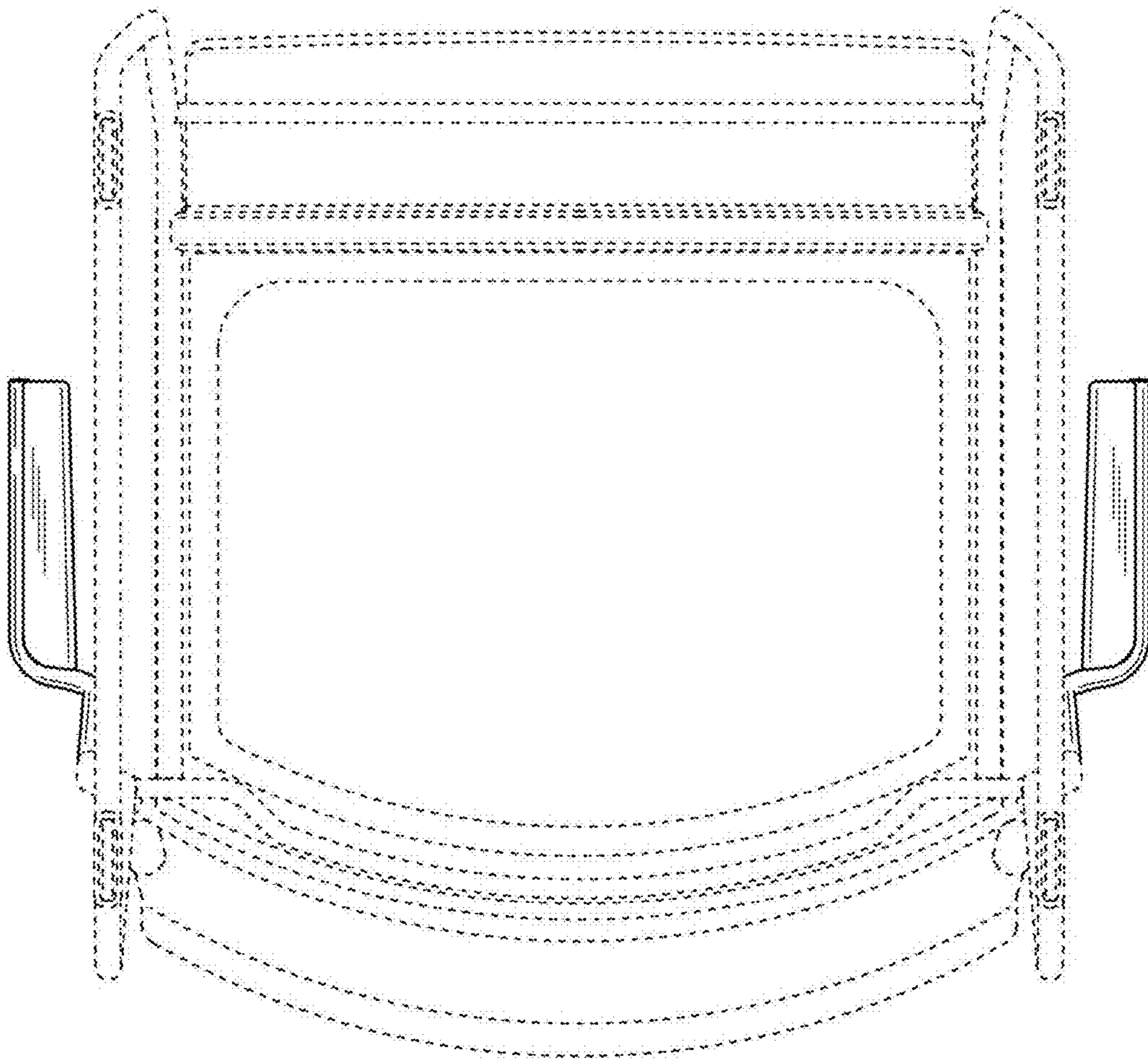
2.4





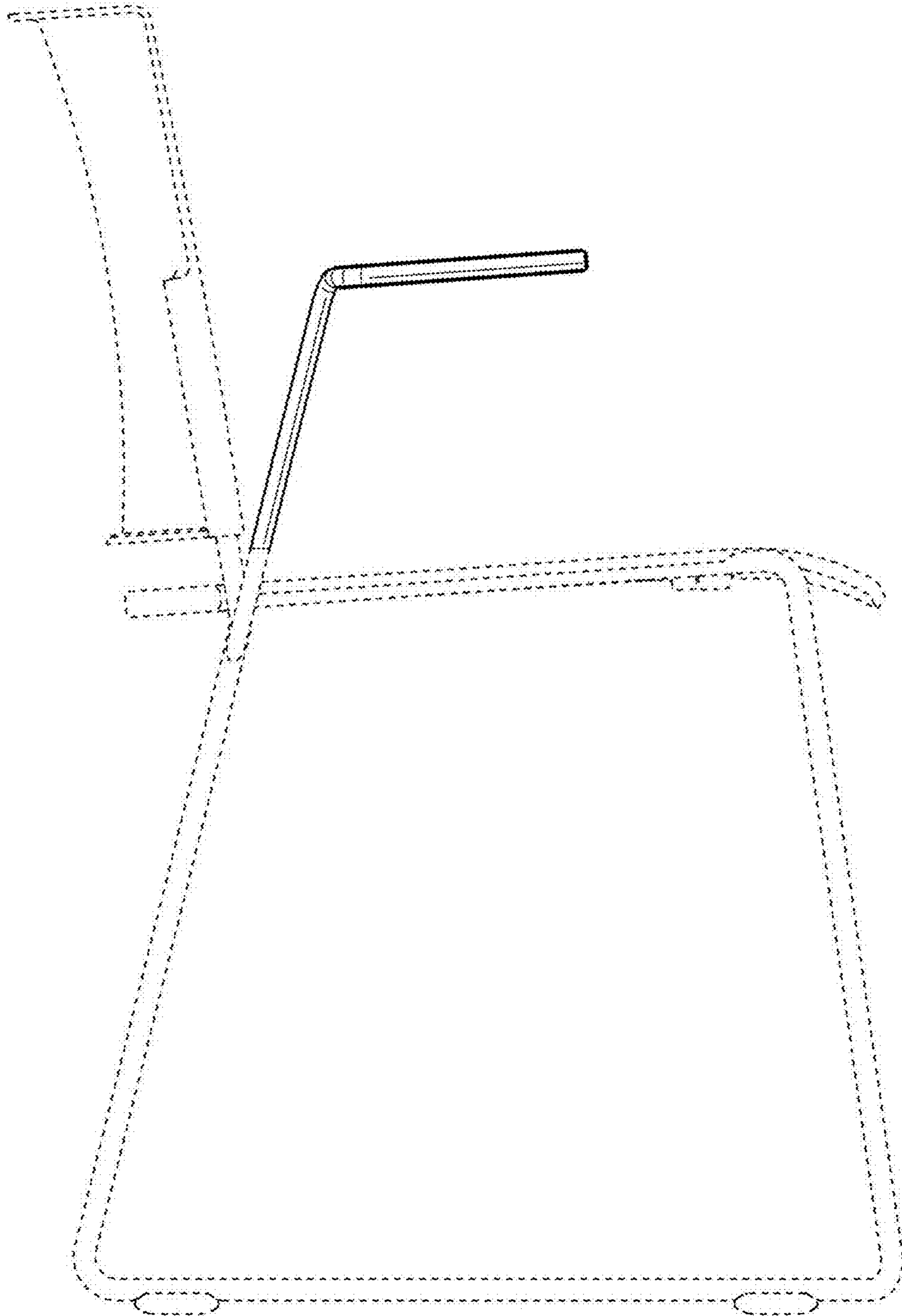
2.5

2.6





2.7



2.8

