



US00D972349S

(12) **United States Design Patent**  
**Chen**

(10) **Patent No.:** **US D972,349 S**

(45) **Date of Patent:** **\*\* Dec. 13, 2022**

(54) **HEIGHT-ADJUSTABLE TABLE**

(71) Applicant: **Inno-Sports Co., Ltd.**, Xiamen (CN)

(72) Inventor: **Renhua Chen**, Xiamen (CN)

(73) Assignee: **Inno-Sports Co., Ltd.**, Xiamen (CN)

(\*\*) Term: **15 Years**

(21) Appl. No.: **29/728,684**

(22) Filed: **Mar. 20, 2020**

(30) **Foreign Application Priority Data**

Sep. 20, 2019 (CN) ..... 201930518212.2

(51) **LOC (13) Cl.** ..... **06-03**

(52) **U.S. Cl.**  
USPC ..... **D6/691.6**

(58) **Field of Classification Search**  
USPC ..... D6/684-686, 691, 691.1-691.9

(Continued)

(56) **References Cited**

**U.S. PATENT DOCUMENTS**

2,875,007 A \* 2/1959 Fox ..... A47B 9/14  
248/188.5  
2,999,729 A \* 9/1961 Semmelroth ..... A47B 9/14  
108/146

(Continued)

**FOREIGN PATENT DOCUMENTS**

EP 1492432 B1 10/2016

**OTHER PUBLICATIONS**

4 ft. One Hand Adjustable Height Fold-in-Half Table—Home Depot  
<https://www.homedepot.com/p/Lifetime-4-ft-One-Hand-Adjustable-Height-Fold-in-Half-Table-Almond-80726/305551875> retrieved from the internet on May 9, 2022.\*

(Continued)

*Primary Examiner* — Mary Ann Calabrese

(74) *Attorney, Agent, or Firm* — Morgan, Lewis & Bockius LLP

(57) **CLAIM**

The ornamental design for a height-adjustable table, as shown and described.

**DESCRIPTION**

FIG. 1 is a perspective view of a first embodiment of my new design for a height-adjustable table shown at a lowered height;

FIG. 2 is a perspective view of my new design for a height-adjustable table shown at an alternate raised height; FIG. 3 is a front view of FIG. 2, wherein the opposite side of the height-adjustable table is a mirror image thereof;

FIG. 4 is a side view of FIG. 2, wherein the opposite side of the height-adjustable table is a mirror image thereof;

FIG. 5 is a top view of FIG. 2;

FIG. 6 is a perspective view of a second embodiment of my new design for a height-adjustable table shown at a lowered height;

FIG. 7 is a front view of FIG. 6, wherein the opposite side of the height-adjustable table is a mirror image thereof;

FIG. 8 is a side view of FIG. 6, wherein the opposite side of the height-adjustable table is a mirror image thereof;

FIG. 9 is a top view of FIG. 6;

FIG. 10 is a perspective view of a third embodiment of my new design for a height-adjustable table shown at a lowered height;

FIG. 11 is a perspective view of my new design for a height-adjustable table shown at an alternate raised height;

FIG. 12 is a front view of FIG. 11, wherein the opposite side of the height-adjustable table is a mirror image thereof;

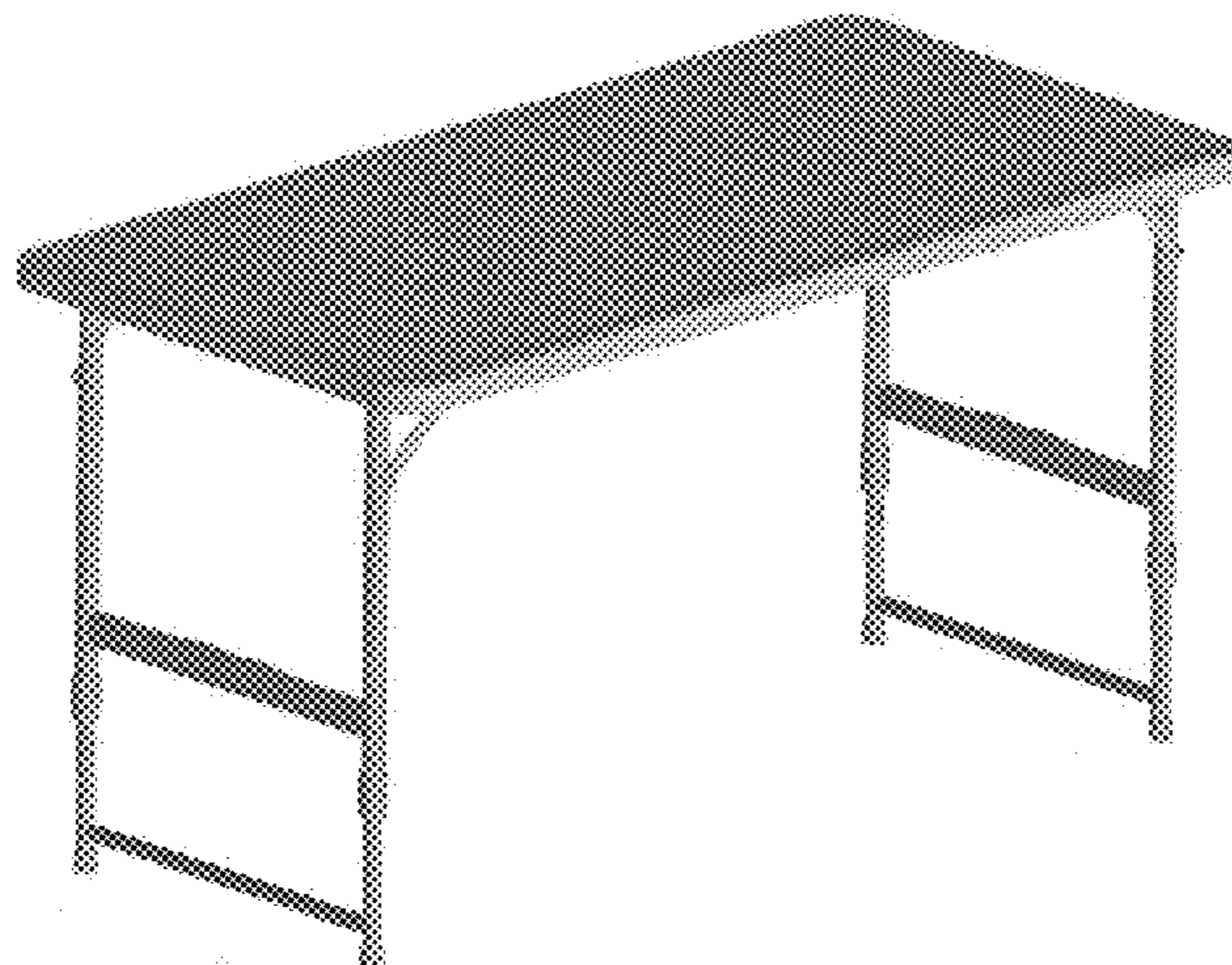
FIG. 13 is a side view of FIG. 11, wherein the opposite side of the height-adjustable table is a mirror image thereof;

FIG. 14 is a top view of FIG. 11; and,

FIG. 15 is an enlarged detailed view of the encircled area labeled FIG. 15 in FIG. 11.

The broken lines showing foot bases, fasteners, holes, oblique supports and locking/unlocking mechanisms shown

(Continued)



in the drawings illustrate portions of the height-adjustable table that form no part of the claimed design.

**1 Claim, 15 Drawing Sheets**

(58) **Field of Classification Search**

CPC .. A47B 3/00; A47B 3/002; A47B 3/02; A47B 3/08; A47B 2003/008; A47B 7/00; A47B 9/00; A47B 9/14; A47B 13/00; A47B 13/02; A47B 13/04; A47B 13/06; A47B 13/10; A47B 13/12; A47B 17/00; A47B 21/00; A47B 2200/0001; A47B 2200/0011; A47B 2200/002

See application file for complete search history.

(56) **References Cited**

U.S. PATENT DOCUMENTS

4,597,553	A	7/1986	Rorabaugh
6,371,496	B1	4/2002	Balolia
6,843,183	B2	1/2005	Strong
D515,841	S *	2/2006	Hsu ..... A47B 3/0915 D6/691.6
7,059,254	B2	6/2006	Strong et al.
7,096,799	B2	8/2006	Strong et al.
D535,491	S	1/2007	Wise
7,171,910	B2	2/2007	Neunzert et al.
7,428,872	B2	9/2008	Strong et al.
7,475,643	B2	1/2009	Haney et al.
7,475,644	B2	1/2009	Strong et al.
7,634,969	B2	12/2009	Neunzert et al.
7,640,870	B2	1/2010	Strong et al.

7,644,667	B2	1/2010	Strong et al.
7,735,431	B2	6/2010	Neunzert et al.
8,006,630	B2	8/2011	Strong et al.
8,033,228	B2	10/2011	Haney et al.
8,042,475	B2	10/2011	Larcom et al.
8,156,875	B2	4/2012	Neunzert et al.
8,302,541	B2	11/2012	Haney et al.
8,342,107	B2	1/2013	Mover et al.
8,534,205	B1	9/2013	Johnson et al.
8,578,865	B2	11/2013	Haney et al.
8,622,007	B2	1/2014	Peery et al.
8,746,155	B2	6/2014	Haney et al.
8,757,069	B2	6/2014	Peery et al.
D748,418	S	2/2016	Johnson et al.
9,277,808	B2	3/2016	Cai et al.
D756,694	S	5/2016	Johnson et al.
9,351,563	B2	5/2016	Bennett et al.
10,039,373	B2	8/2018	Choi
10,349,738	B1	7/2019	Choi
10,470,561	B2	11/2019	Clegg et al.
10,813,446	B2	10/2020	Wise
10,939,751	B1	3/2021	Chen
11,027,413	B2	6/2021	Wise
11,241,087	B2 *	2/2022	Choi ..... A47B 83/024
2002/0152934	A1	10/2002	Haney
2012/0199050	A1 *	8/2012	Neunzert ..... A47B 3/0915 108/50.11
2019/0150608	A1	5/2019	Johnson et al.
2021/0062842	A1	3/2021	Chen

OTHER PUBLICATIONS

Office Star Resin Multipurpose Rectangle Table—Amazon <https://www.amazon.com/Office-Star-Multipurpose-Rectangle-Adjustable/dp/B00797NW34?th=1> retrieved from the internet on May 9, 2022.\*

\* cited by examiner





Figure 1



Figure 2

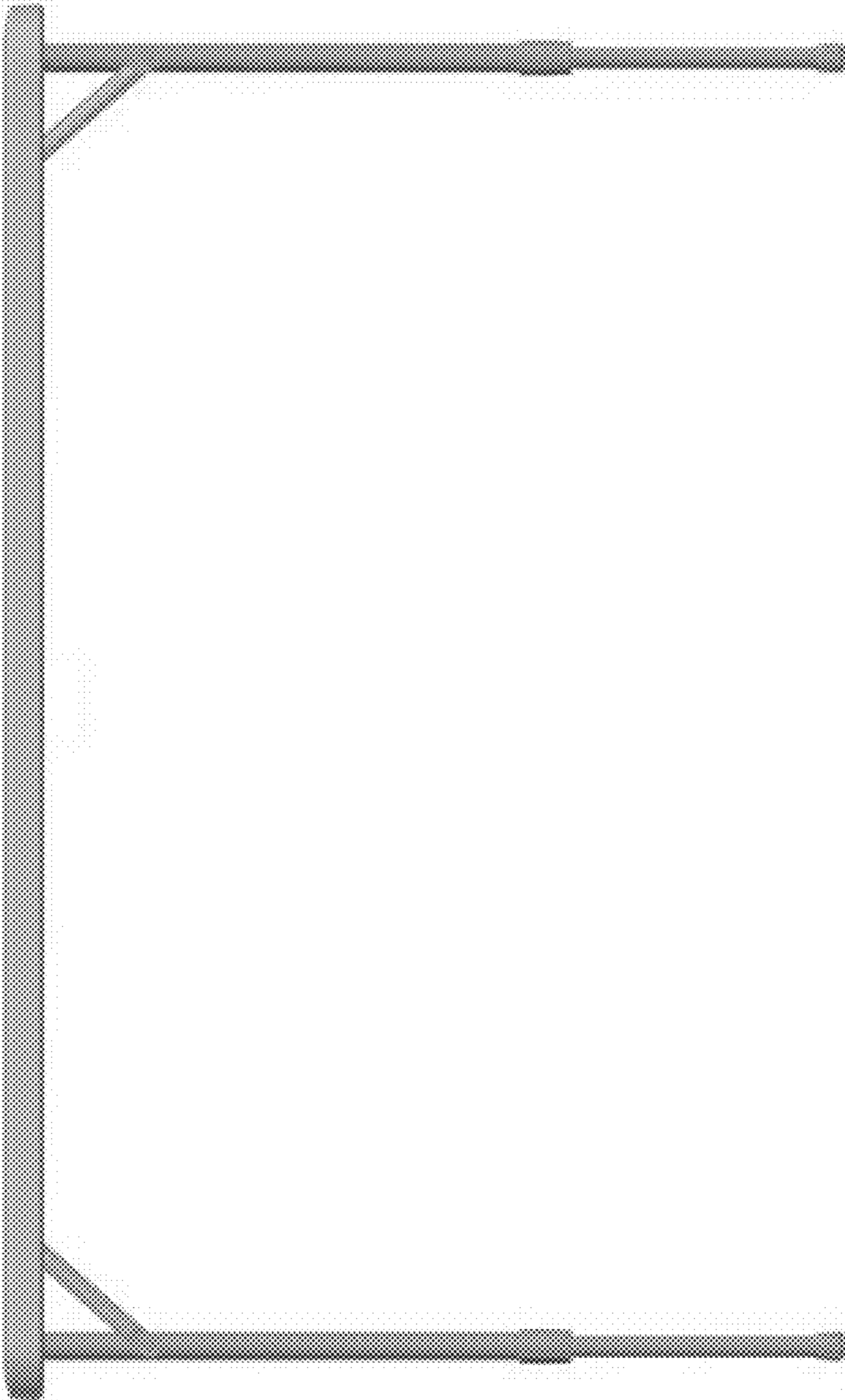


Figure 3



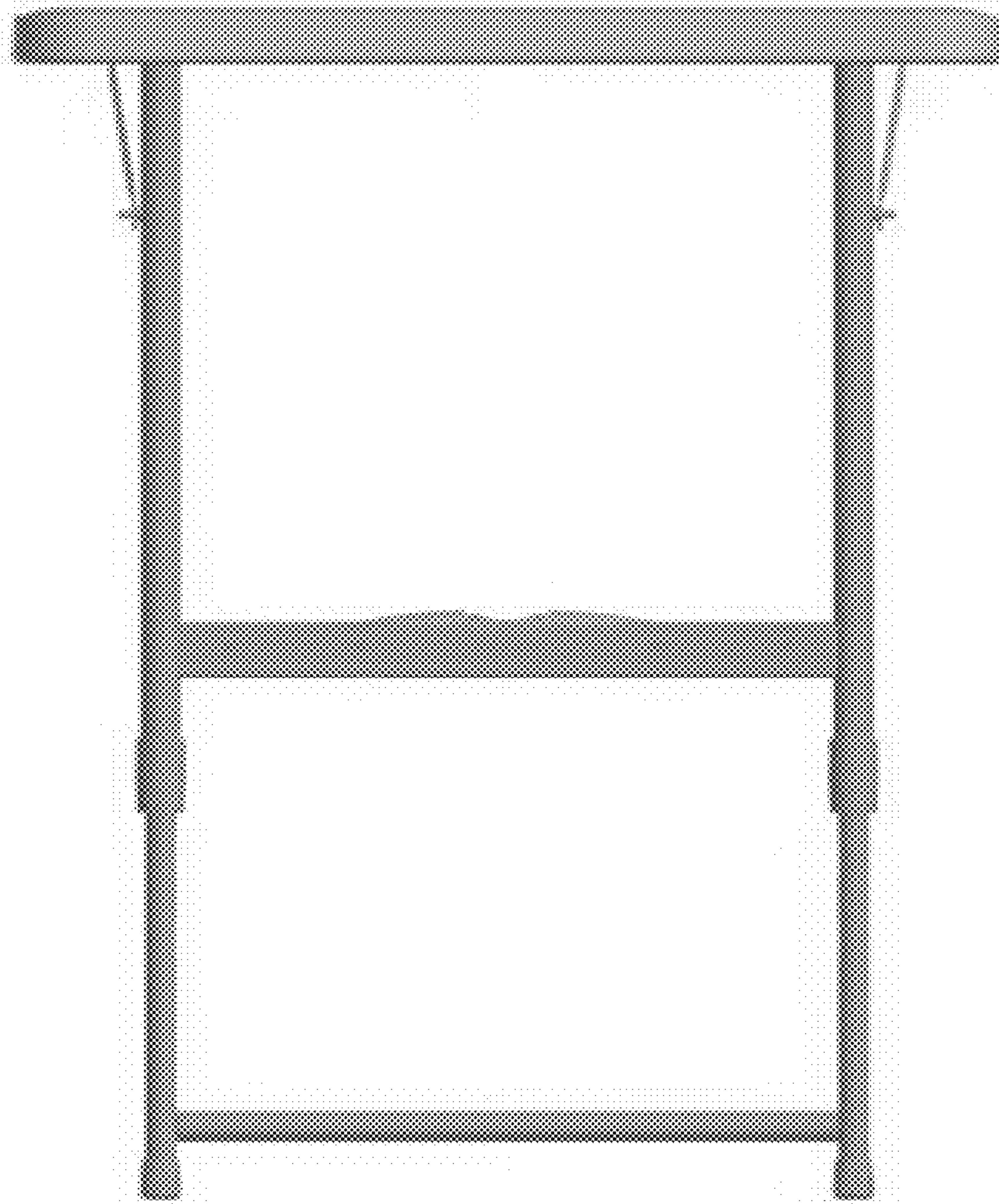


Figure 4



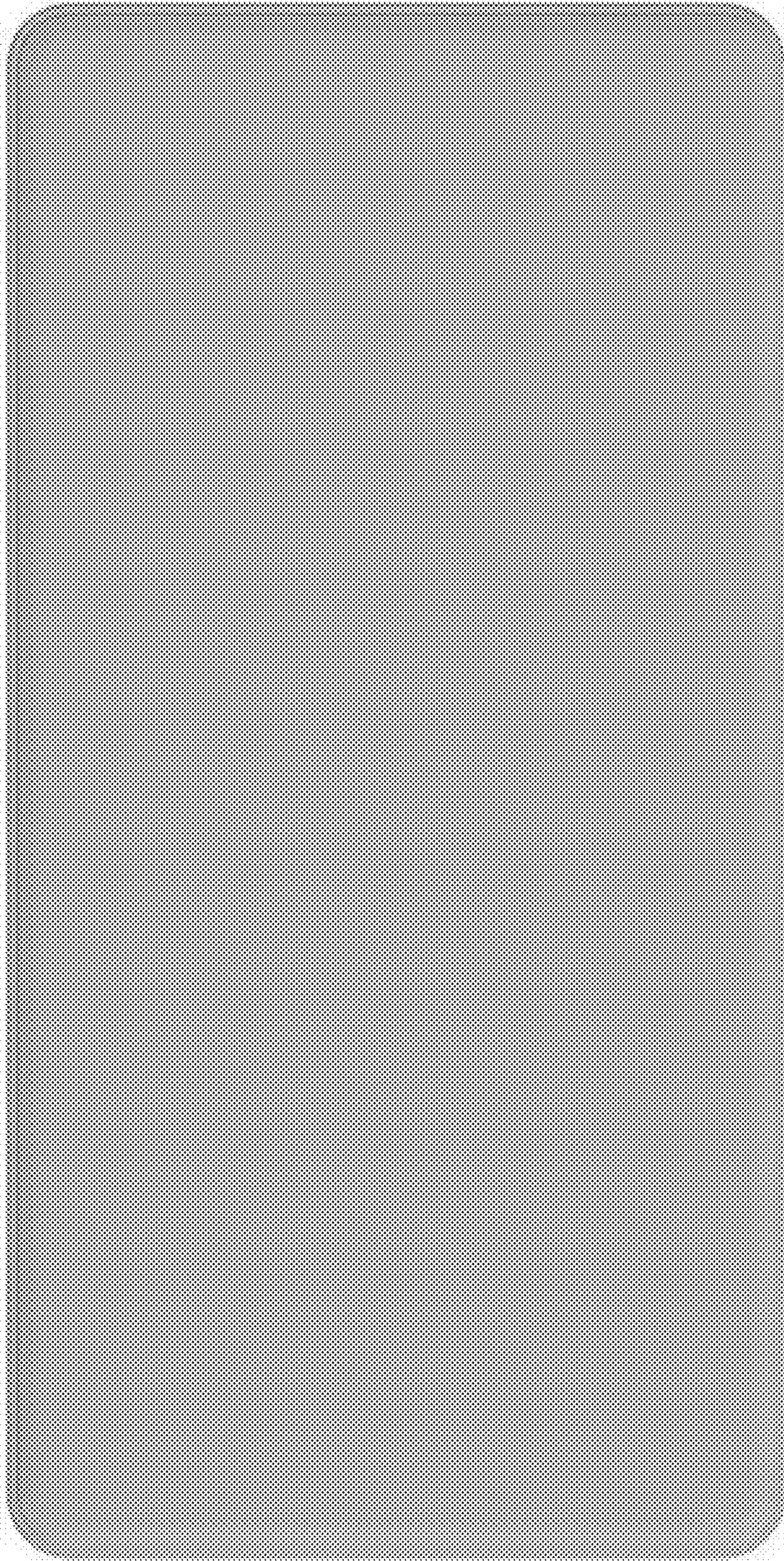


Figure 5



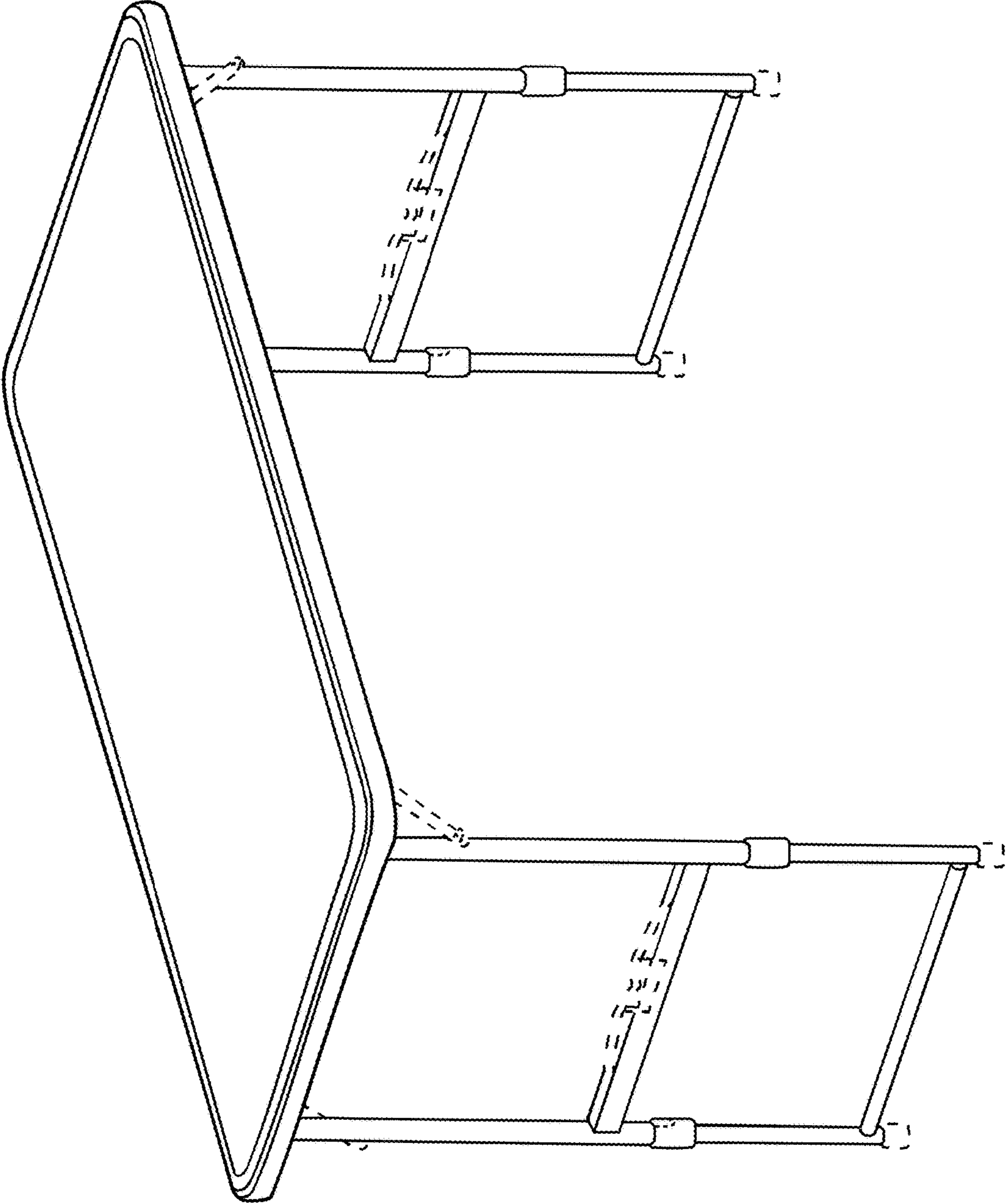


Figure 6





Figure 7

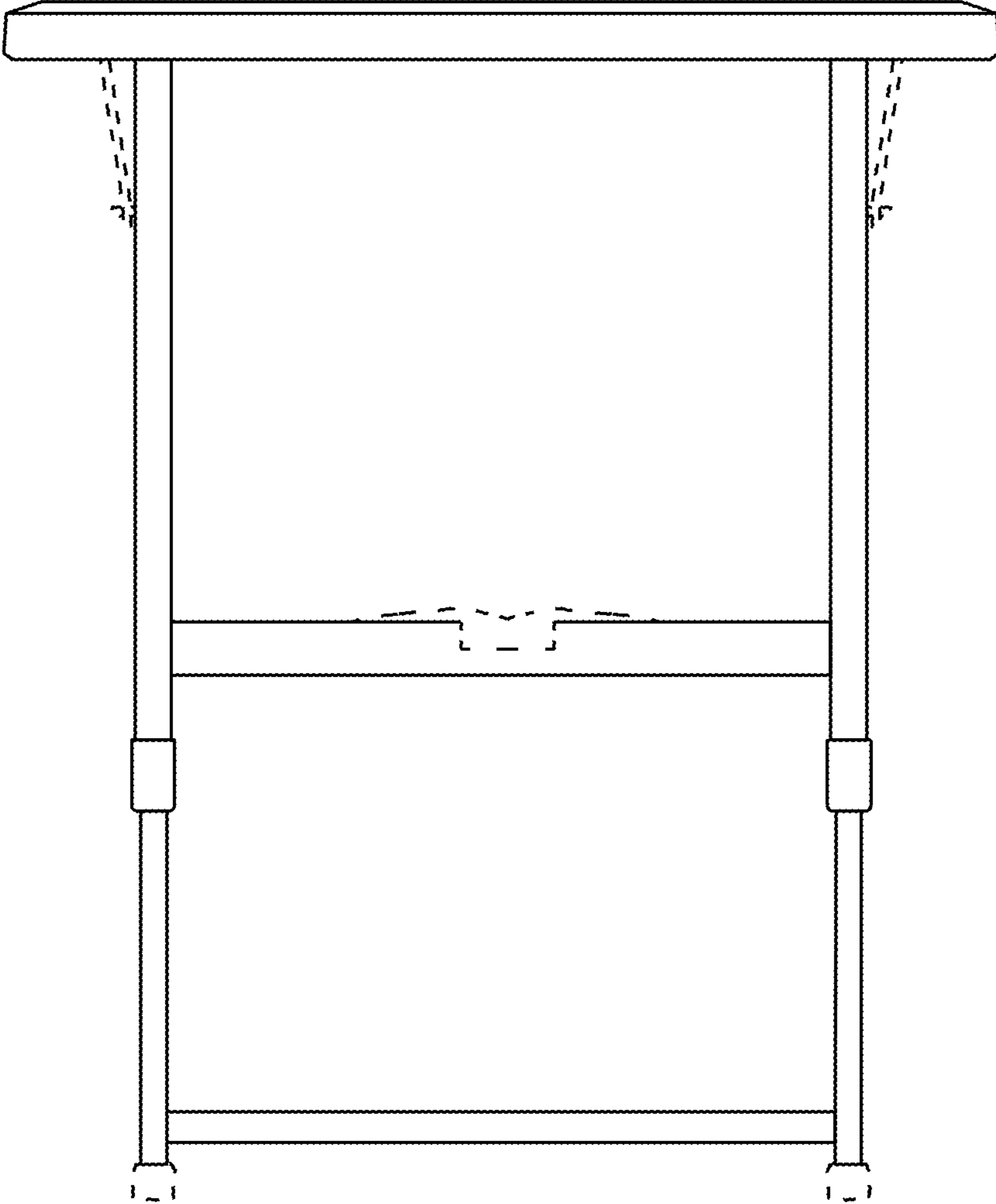


Figure 8



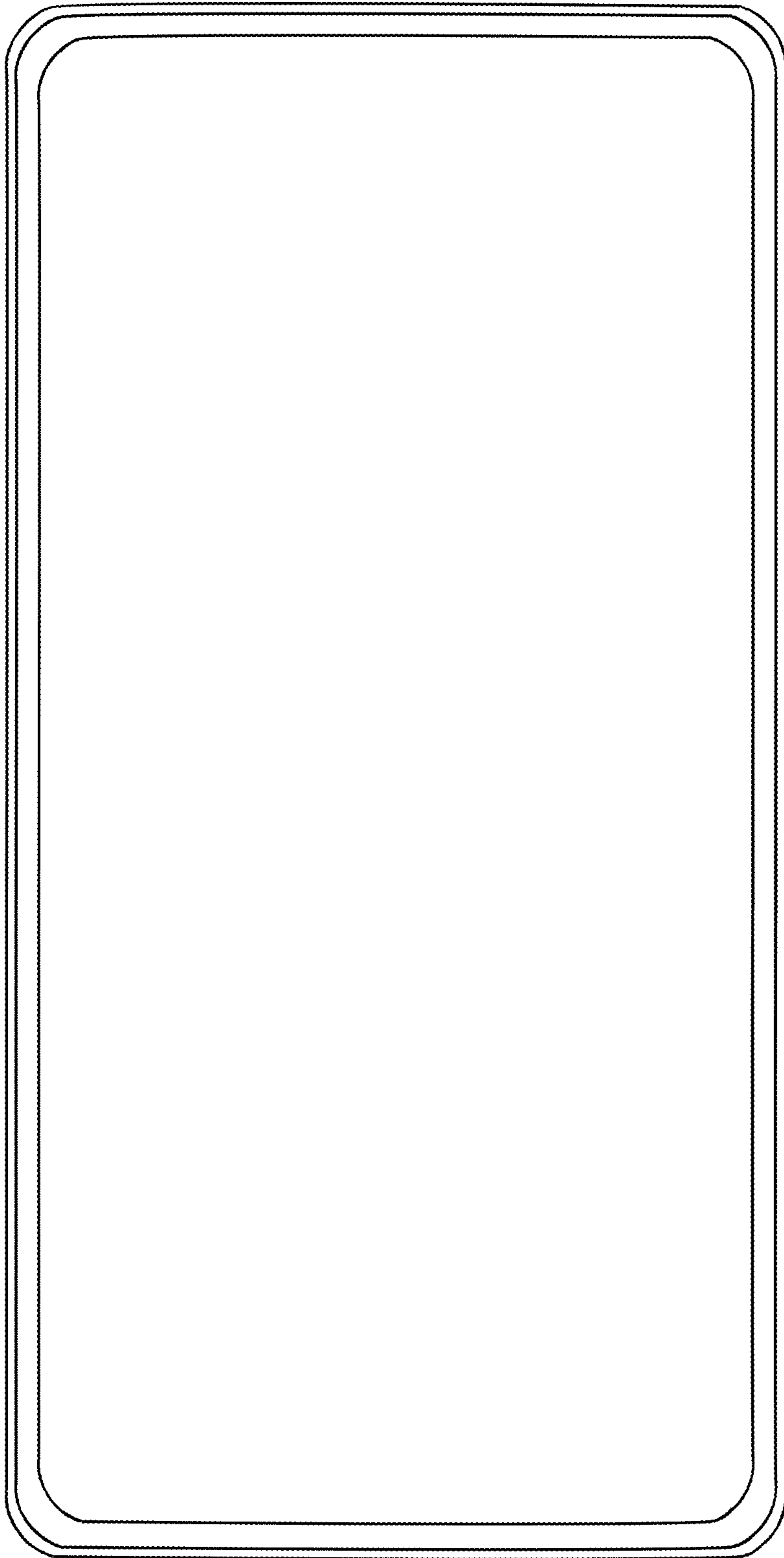


Figure 9

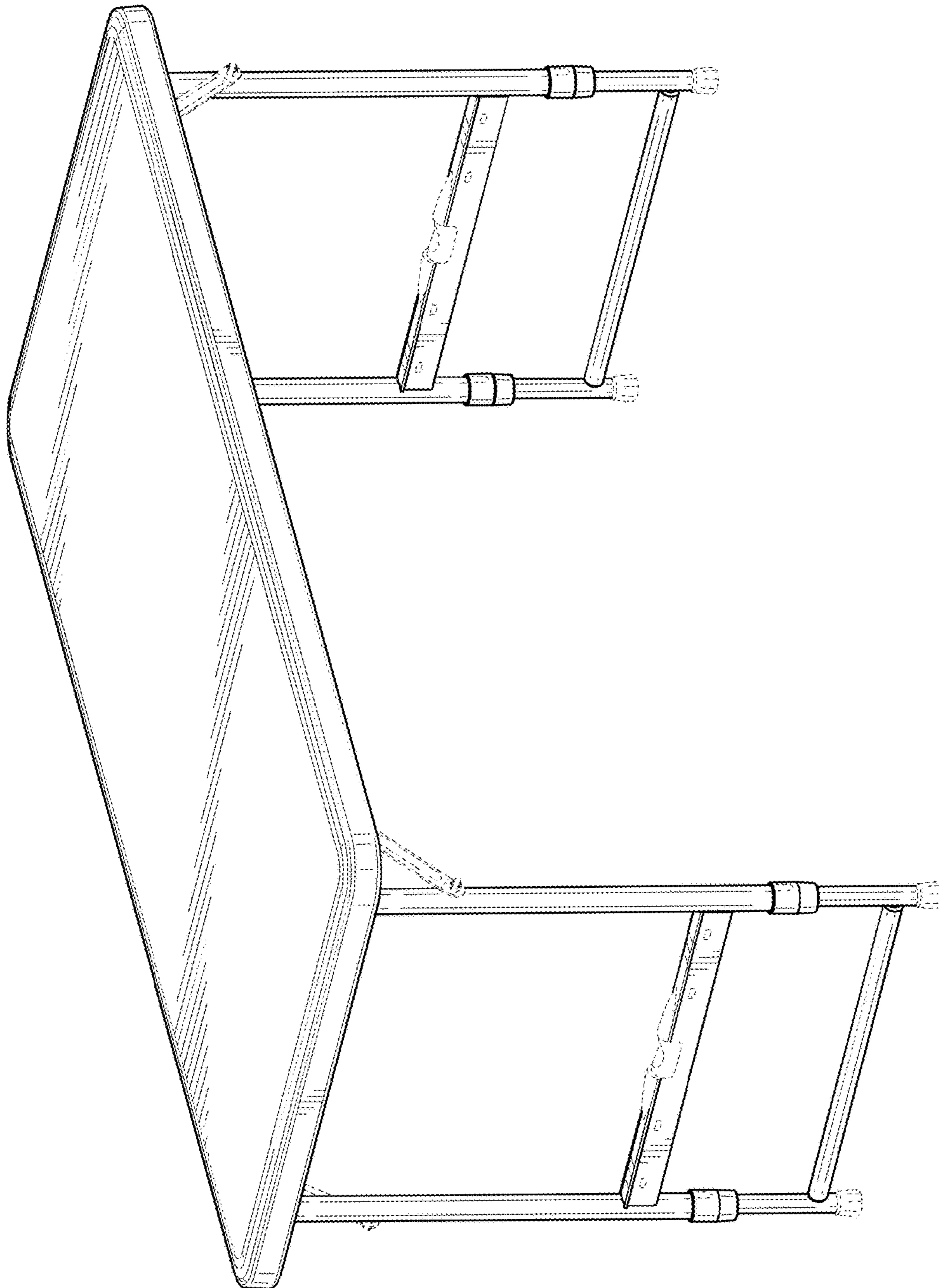


Figure 10



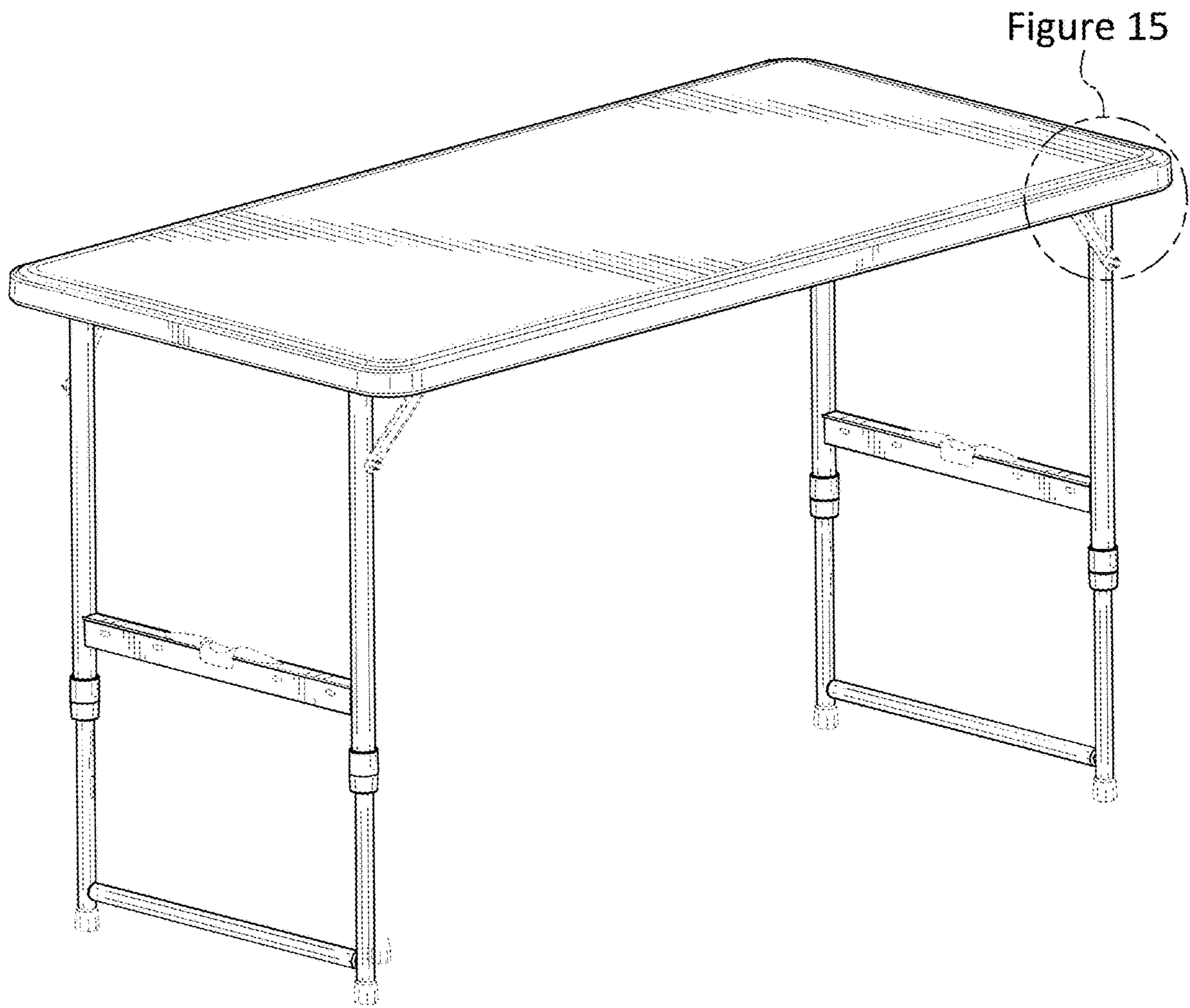


Figure 11

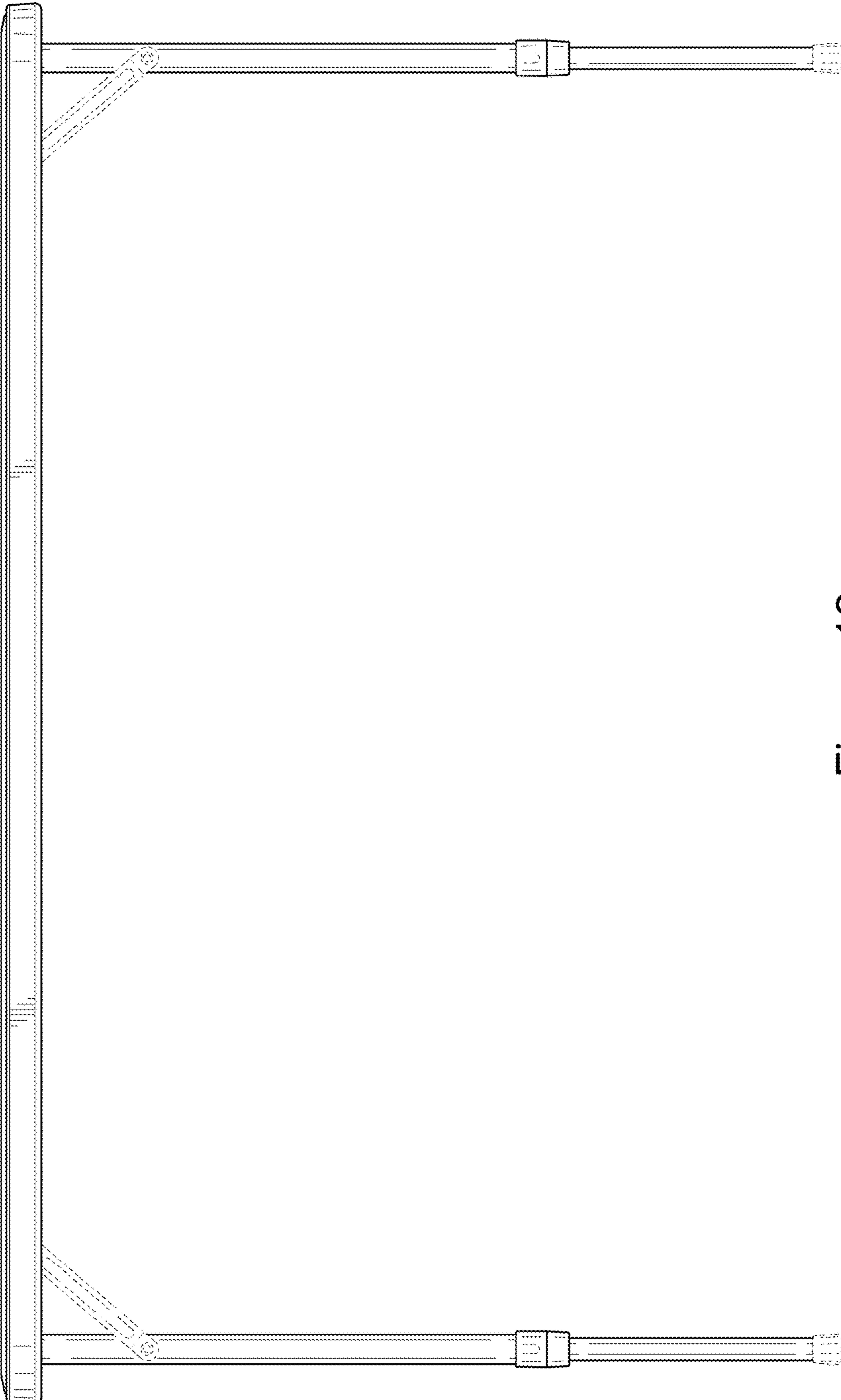


Figure 12



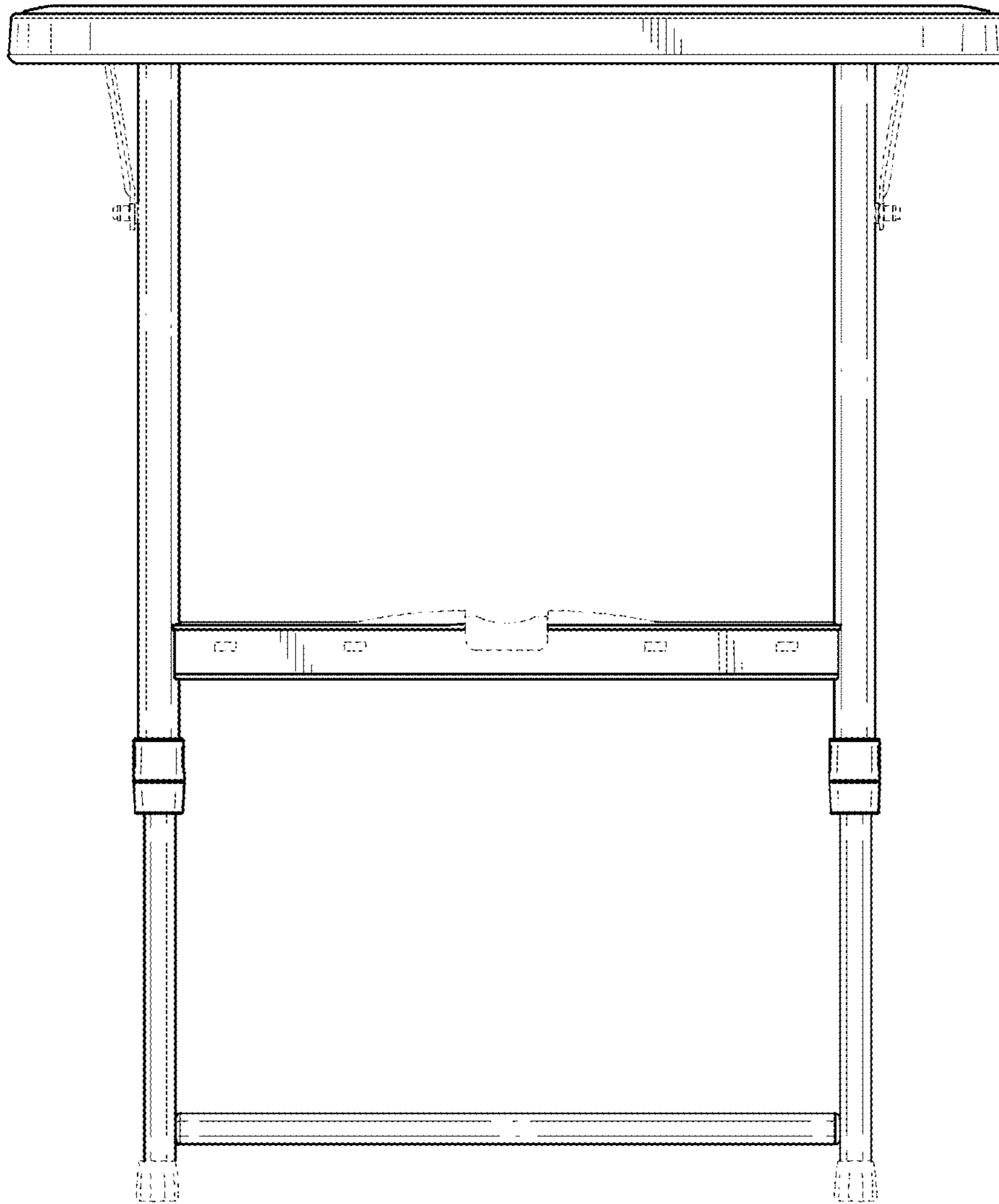


Figure 13

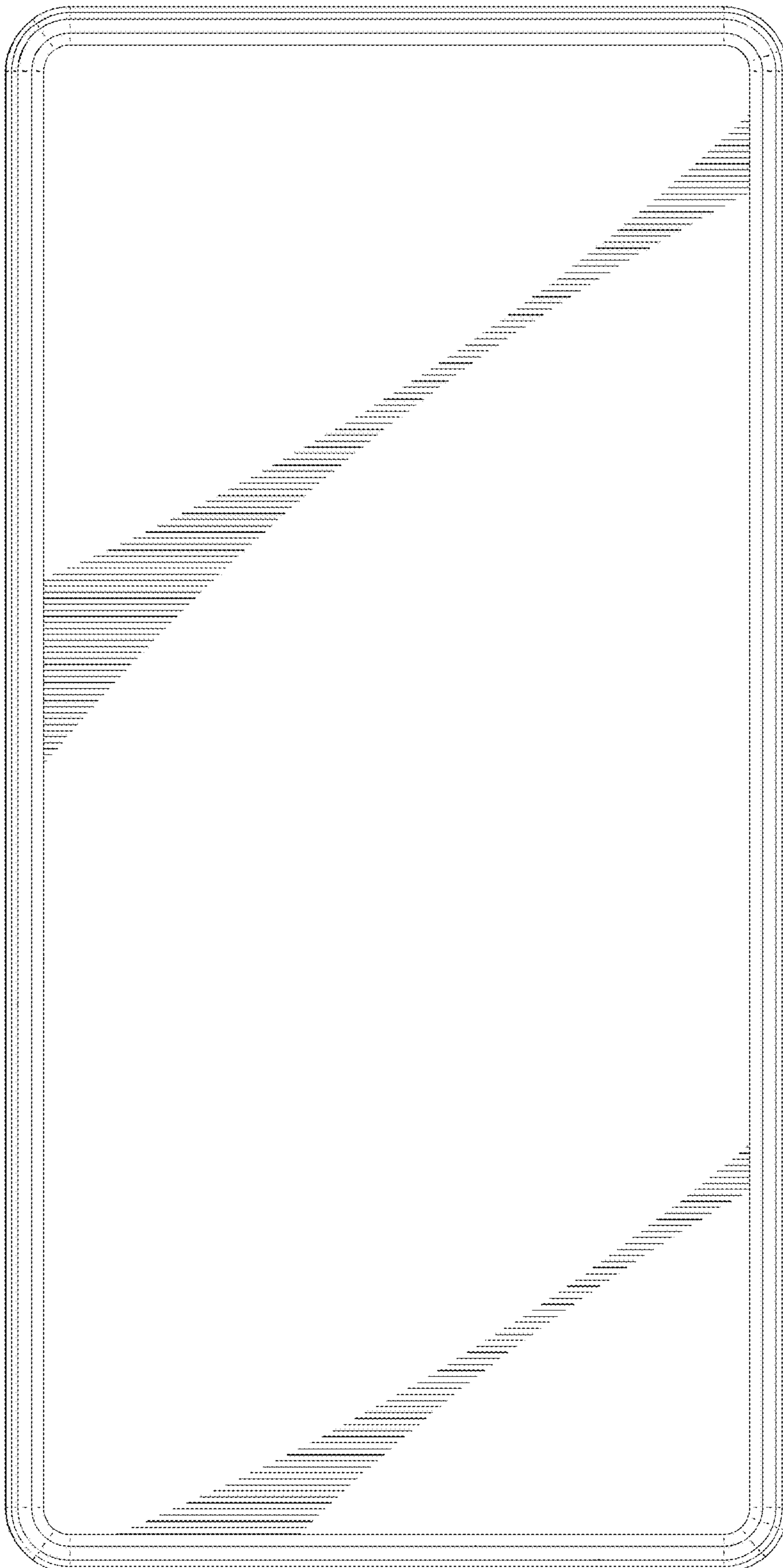


Figure 14

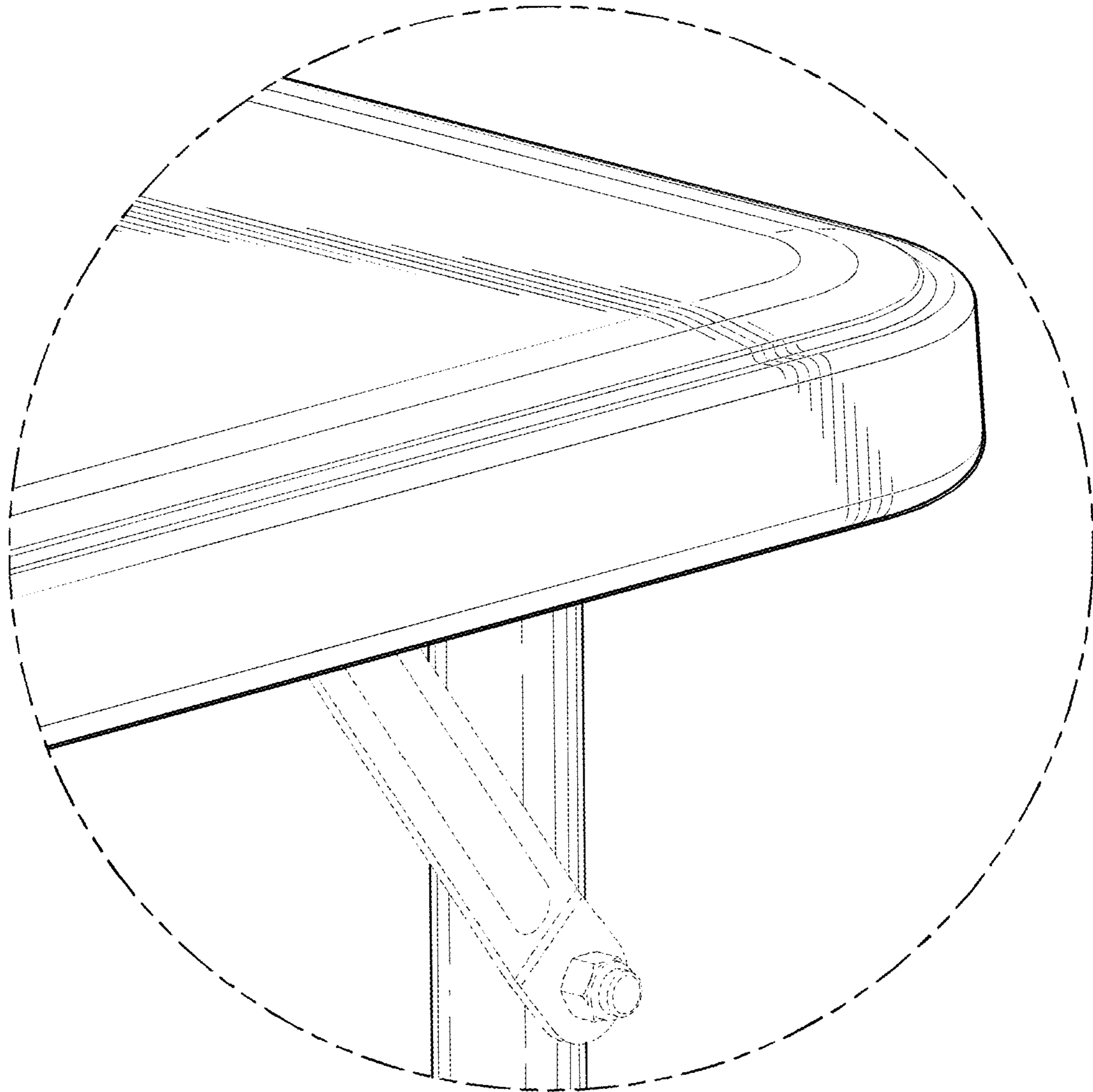


Figure 15