



US00D972347S

(12) **United States Design Patent** (10) **Patent No.:** **US D972,347 S**
Xu (45) **Date of Patent:** **** Dec. 13, 2022**

(54) **SHELF**

(71) Applicant: **Yong Xu**, Suizhou (CN)

(72) Inventor: **Yong Xu**, Suizhou (CN)

(**) Term: **15 Years**

(21) Appl. No.: **29/815,128**

(22) Filed: **Nov. 11, 2021**

(51) **LOC (13) Cl.** **06-06**

(52) **U.S. Cl.**
USPC **D6/675.3**

(58) **Field of Classification Search**
USPC D6/672, 675, 675.1, 675.3, 676.3, 705
CPC A47B 43/00; A47B 96/00; A47B 96/02;
A47B 5/0081; A47F 5/0043; A47F 5/10
See application file for complete search history.

(56) **References Cited**

U.S. PATENT DOCUMENTS

D105,123 S *	6/1937	Mills	D6/675.3
D106,184 S *	9/1937	Erickson	D6/675.3
D133,723 S *	9/1942	May	D34/24
D160,378 S *	10/1950	Falkenberg et al.	D6/675.2
2,848,119 A *	8/1958	Fitser	A47B 55/02 211/186
D273,919 S *	5/1984	Pasinski	D6/350
D287,444 S *	12/1986	Norling	D6/675.3
D518,316 S *	4/2006	Gusdorf	D6/675.3

D555,936 S	11/2007	King		
D557,936 S *	12/2007	Van Es	D6/675.3
D637,016 S	5/2011	Pohl		
D737,079 S *	8/2015	Tsai	D6/675.3
D774,812 S *	12/2016	Nafziger	D6/698
D802,347 S *	11/2017	Yoshida	D6/350
D802,370 S *	11/2017	Tsai	D7/600.4
D871,117 S *	12/2019	Johnson	D6/675.3
D875,446 S	2/2020	Marconi		
D882,306 S *	4/2020	Chiang	D6/675.3
D931,057 S *	9/2021	Xin	D7/600.4

* cited by examiner

Primary Examiner — Kelley A Donnelly
(74) *Attorney, Agent, or Firm* — Che-Yang Chen; Law Office of Michael Chen

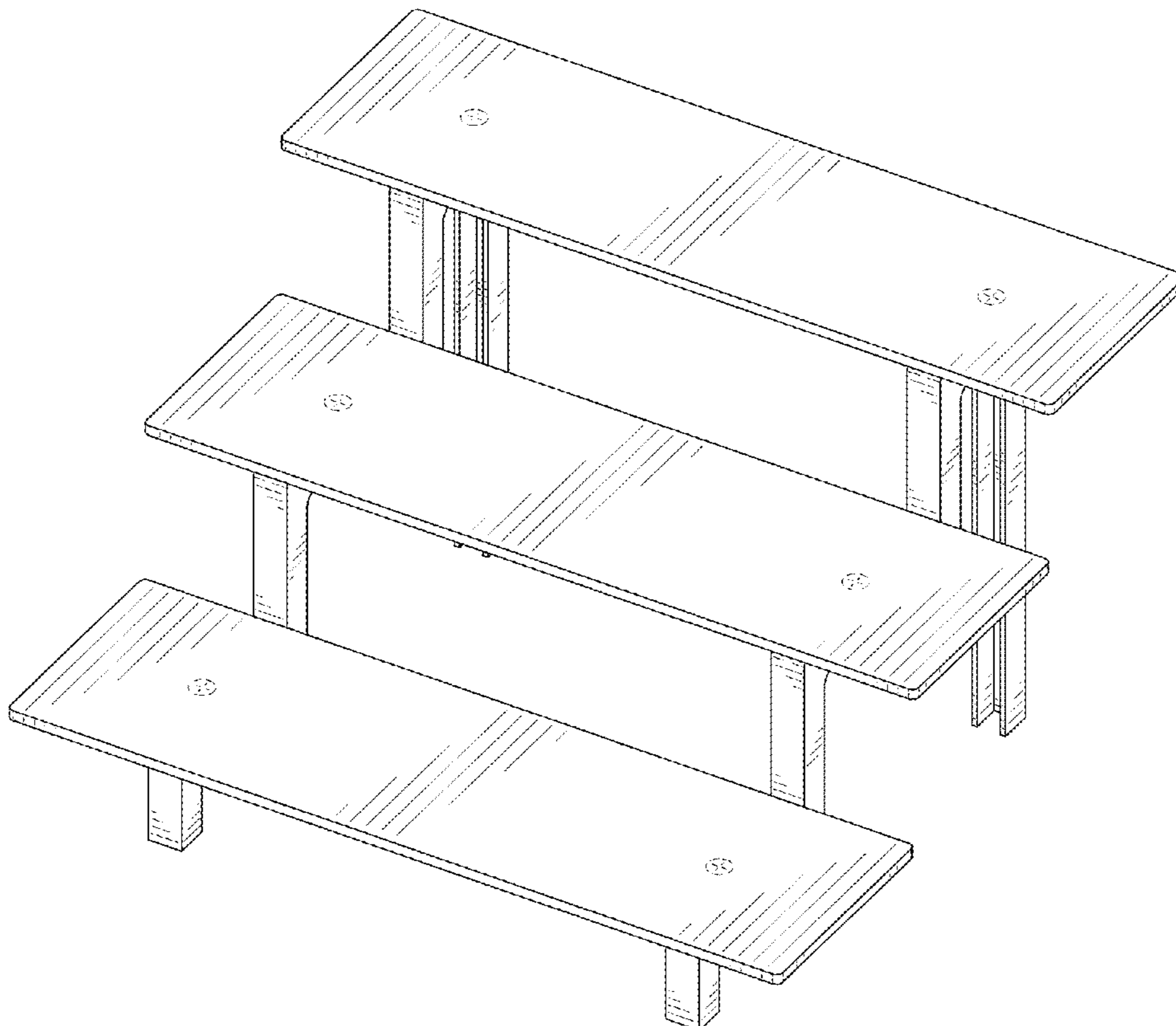
(57) **CLAIM**

The ornamental design for a shelf, as shown and described.

DESCRIPTION

FIG. 1 is a perspective view of the shelf showing my new design;
FIG. 2 is a perspective view thereof from another angle;
FIG. 3 is a front elevational view thereof;
FIG. 4 is a rear elevational view thereof;
FIG. 5 is a left side elevational view thereof;
FIG. 6 is a right side elevational view thereof;
FIG. 7 is a top plan view thereof; and,
FIG. 8 is a bottom plan view thereof.

1 Claim, 8 Drawing Sheets



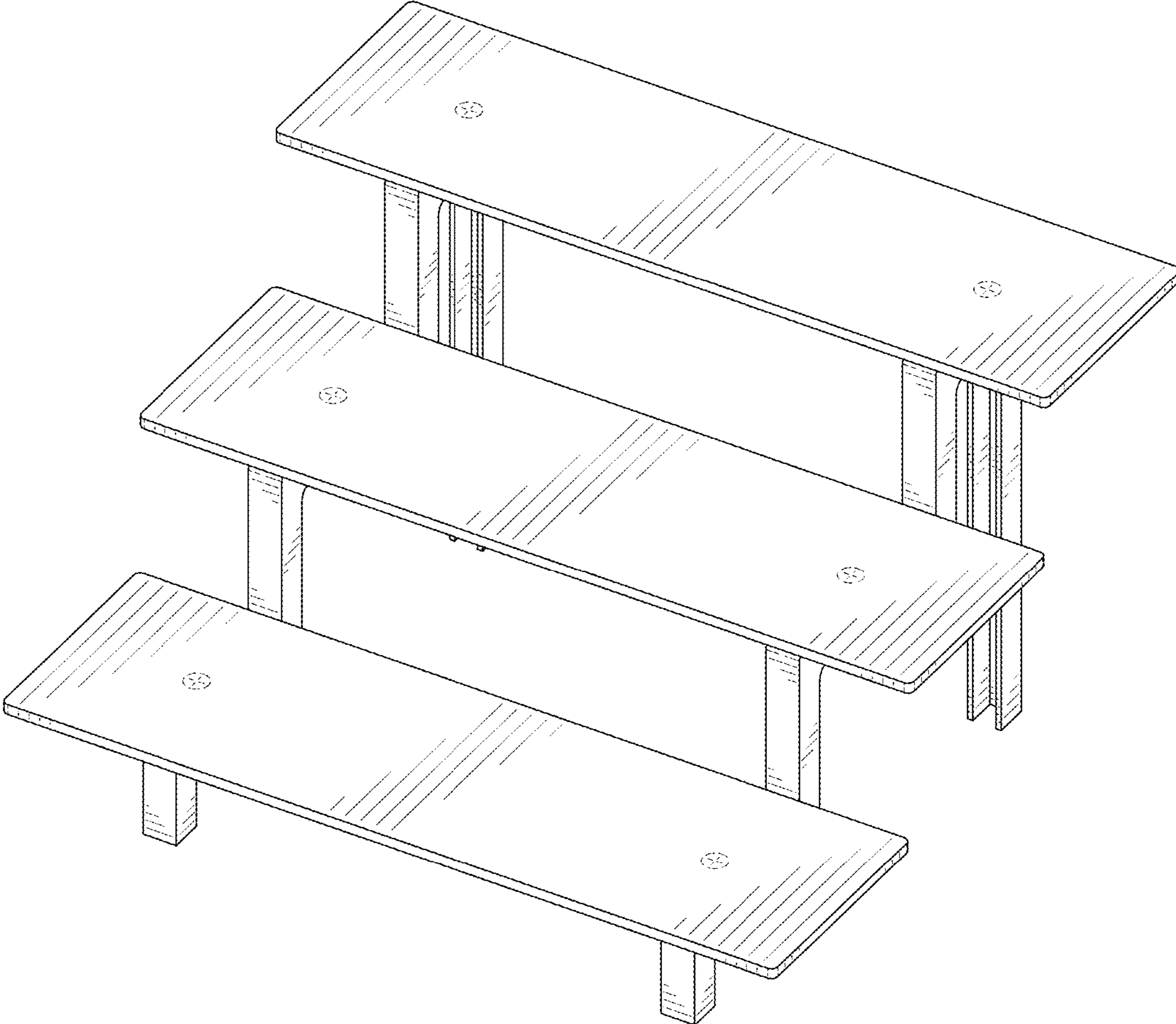


FIG. 1

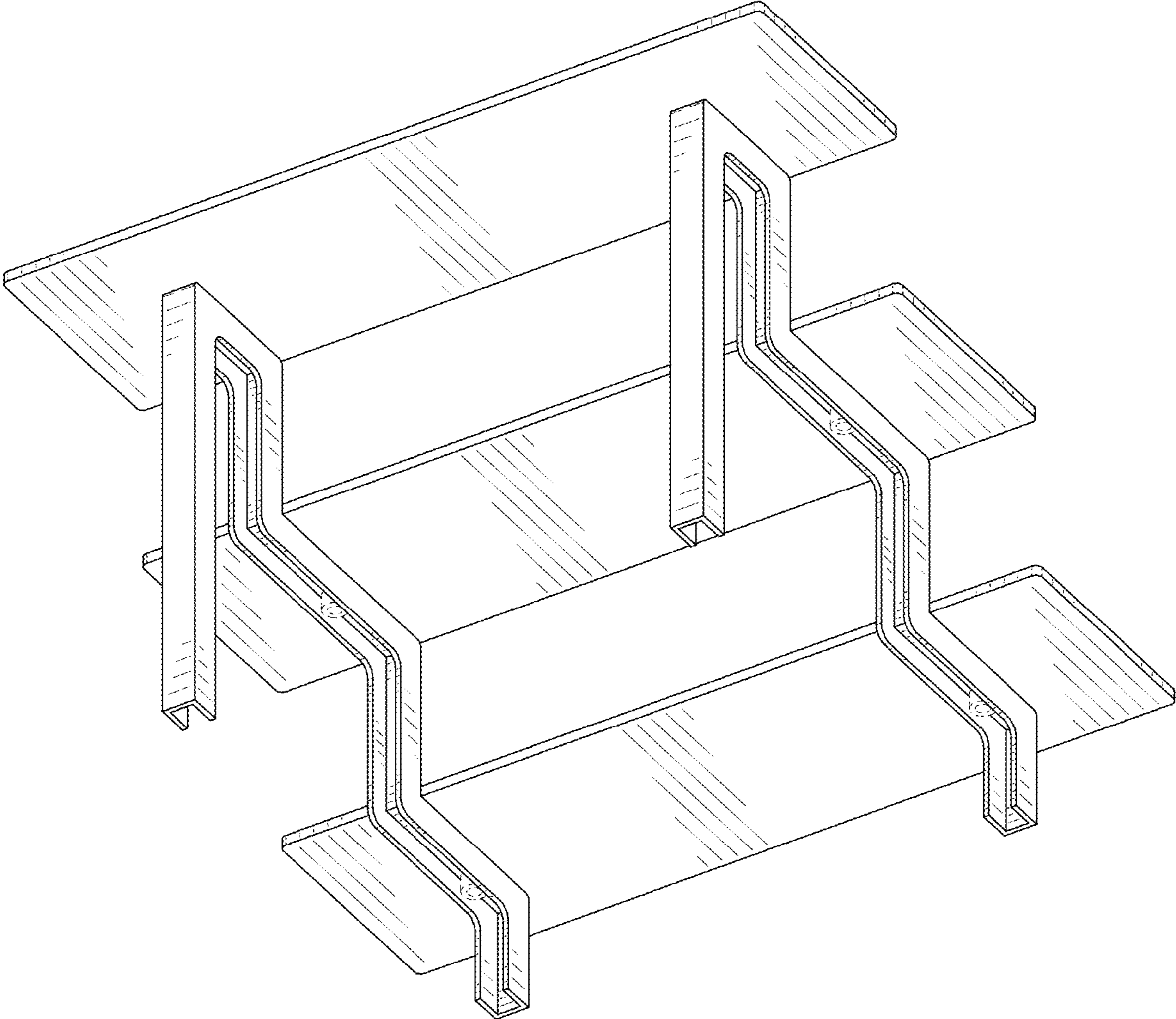


FIG. 2

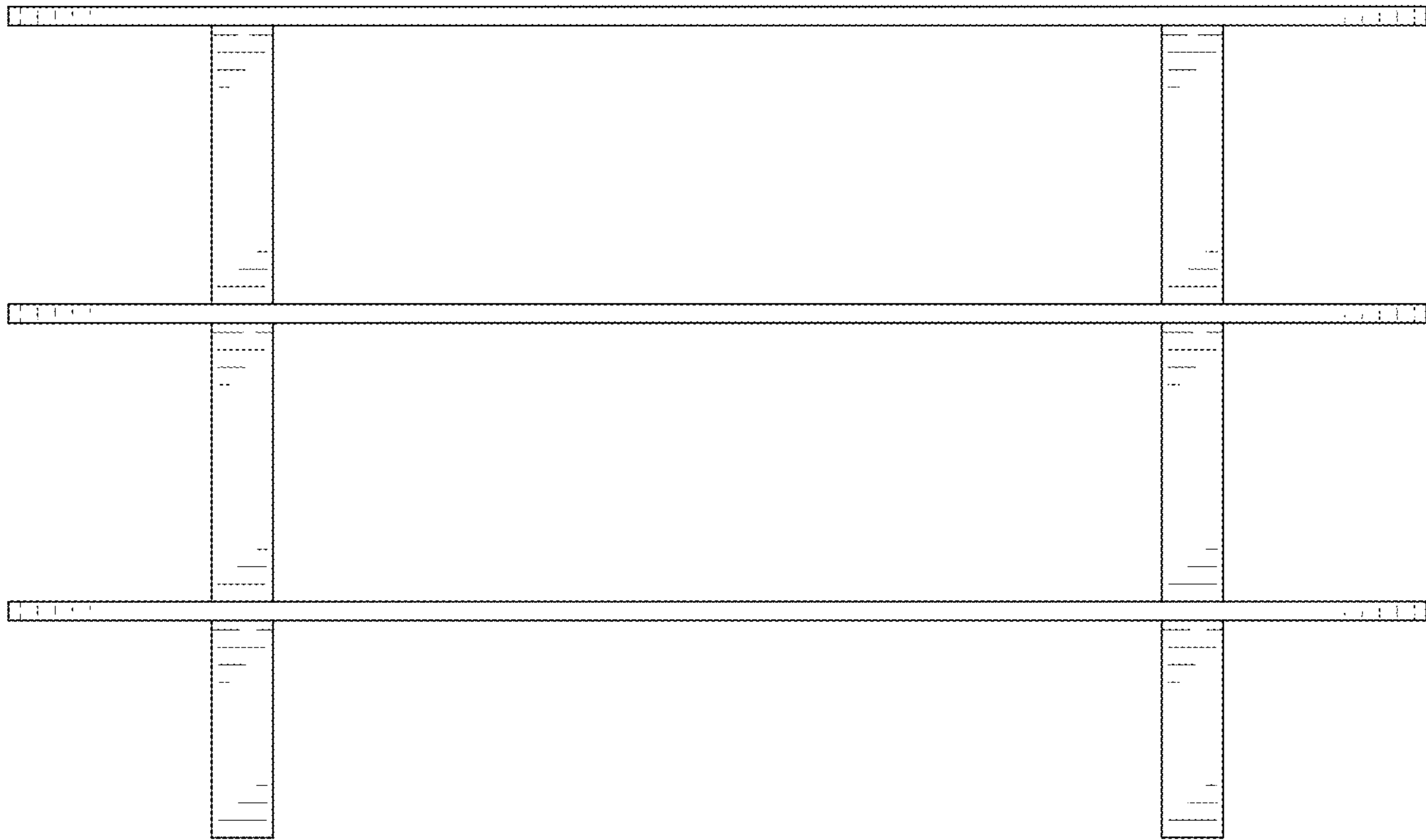


FIG. 3



FIG. 4

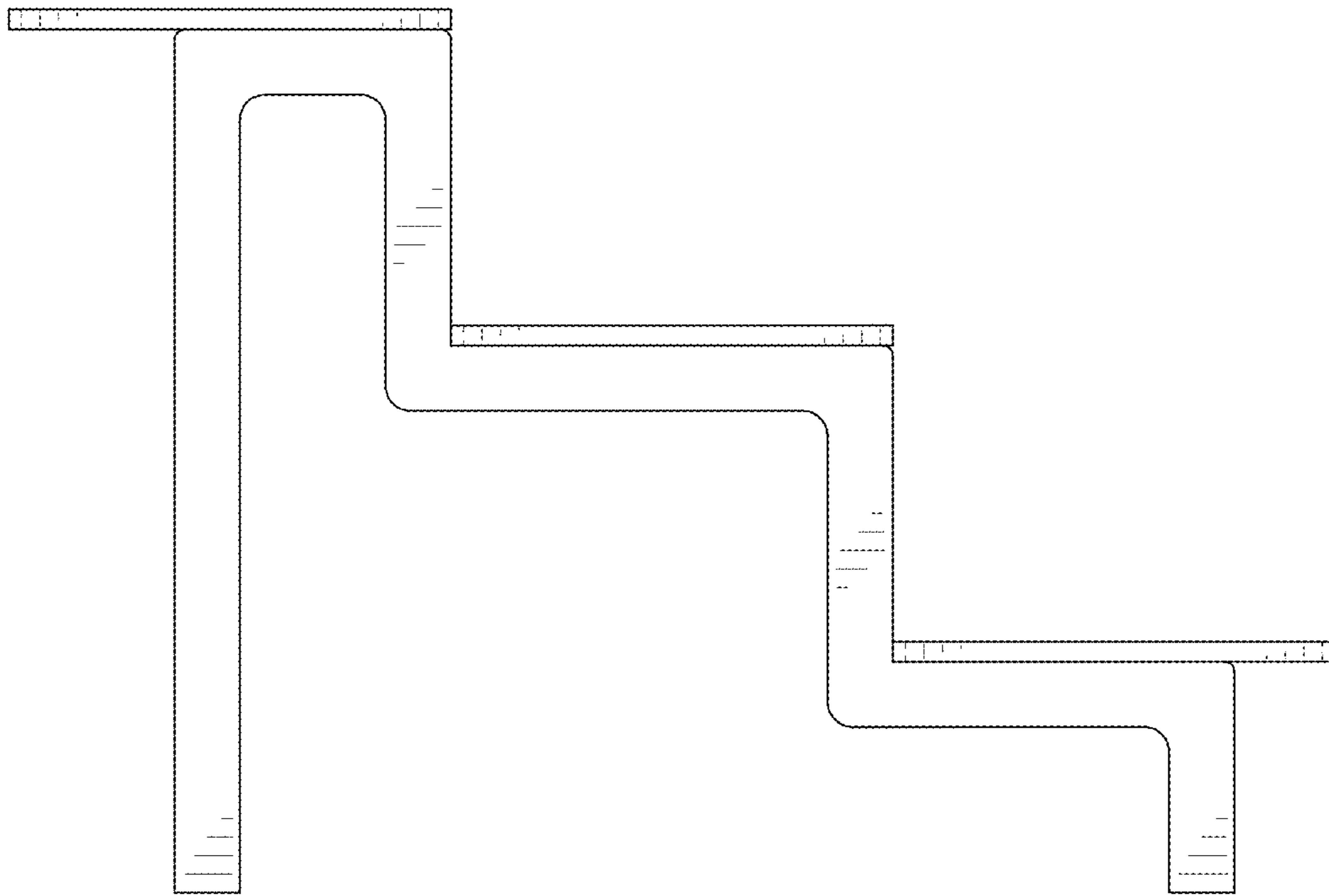


FIG. 5

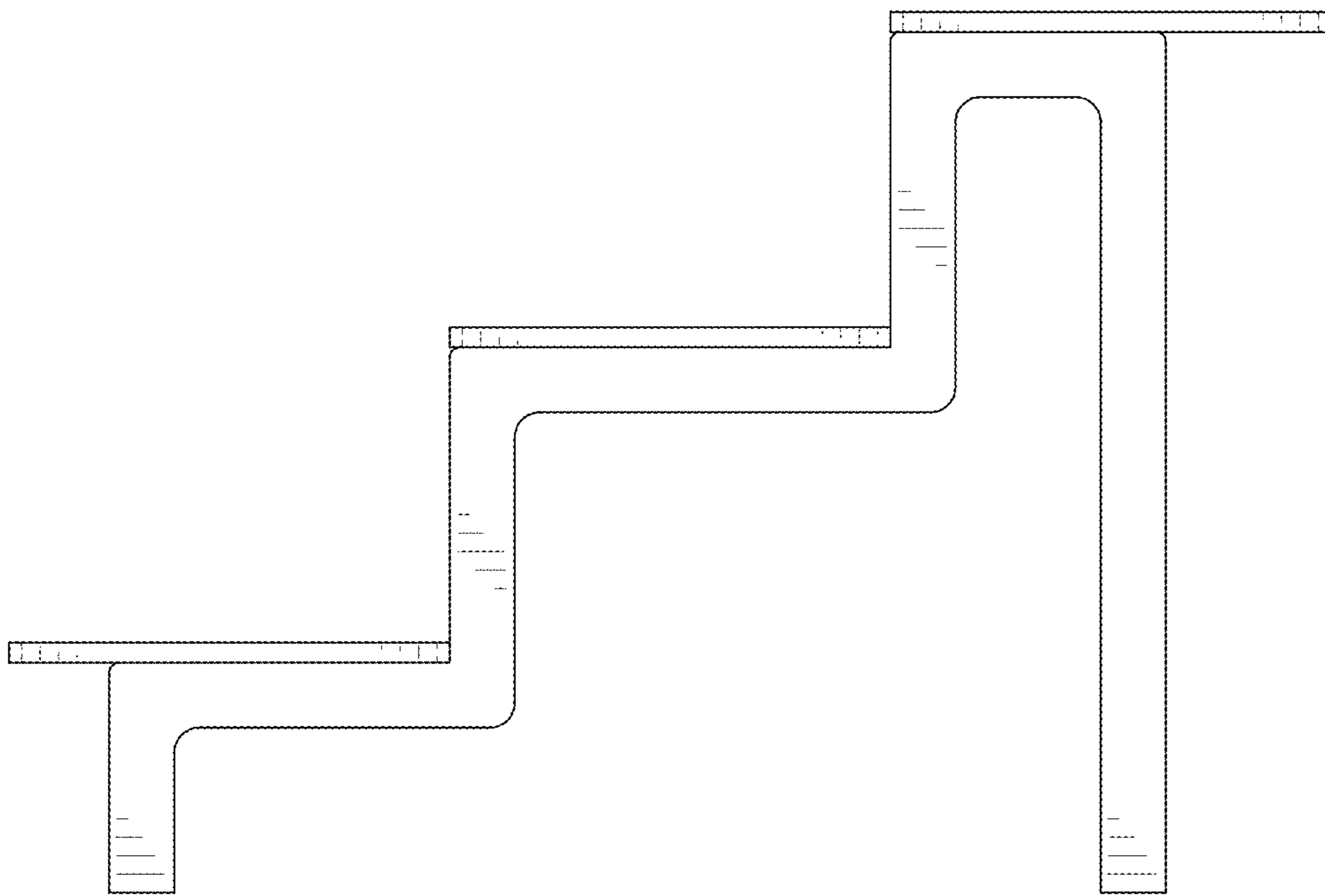


FIG. 6

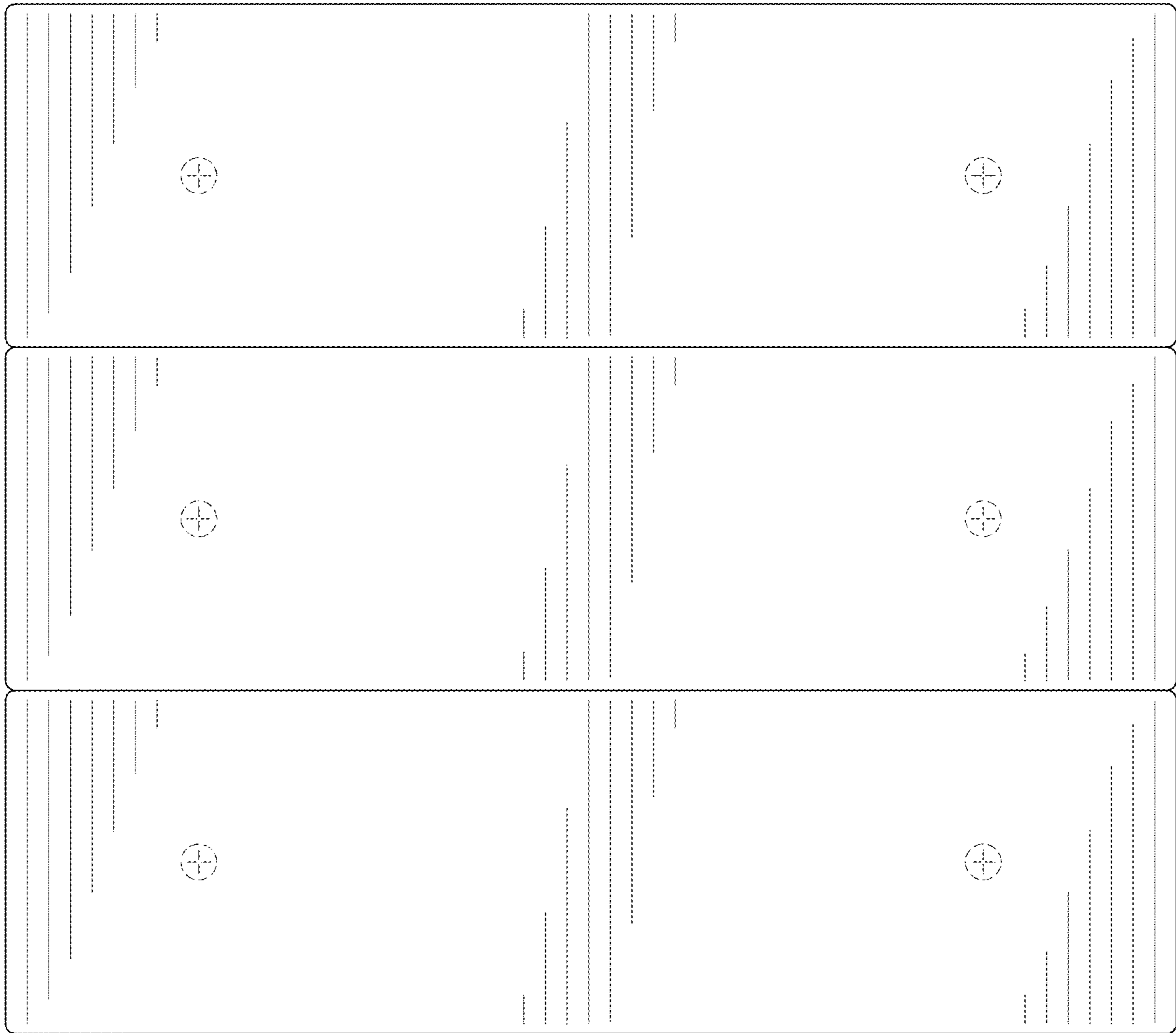


FIG. 7

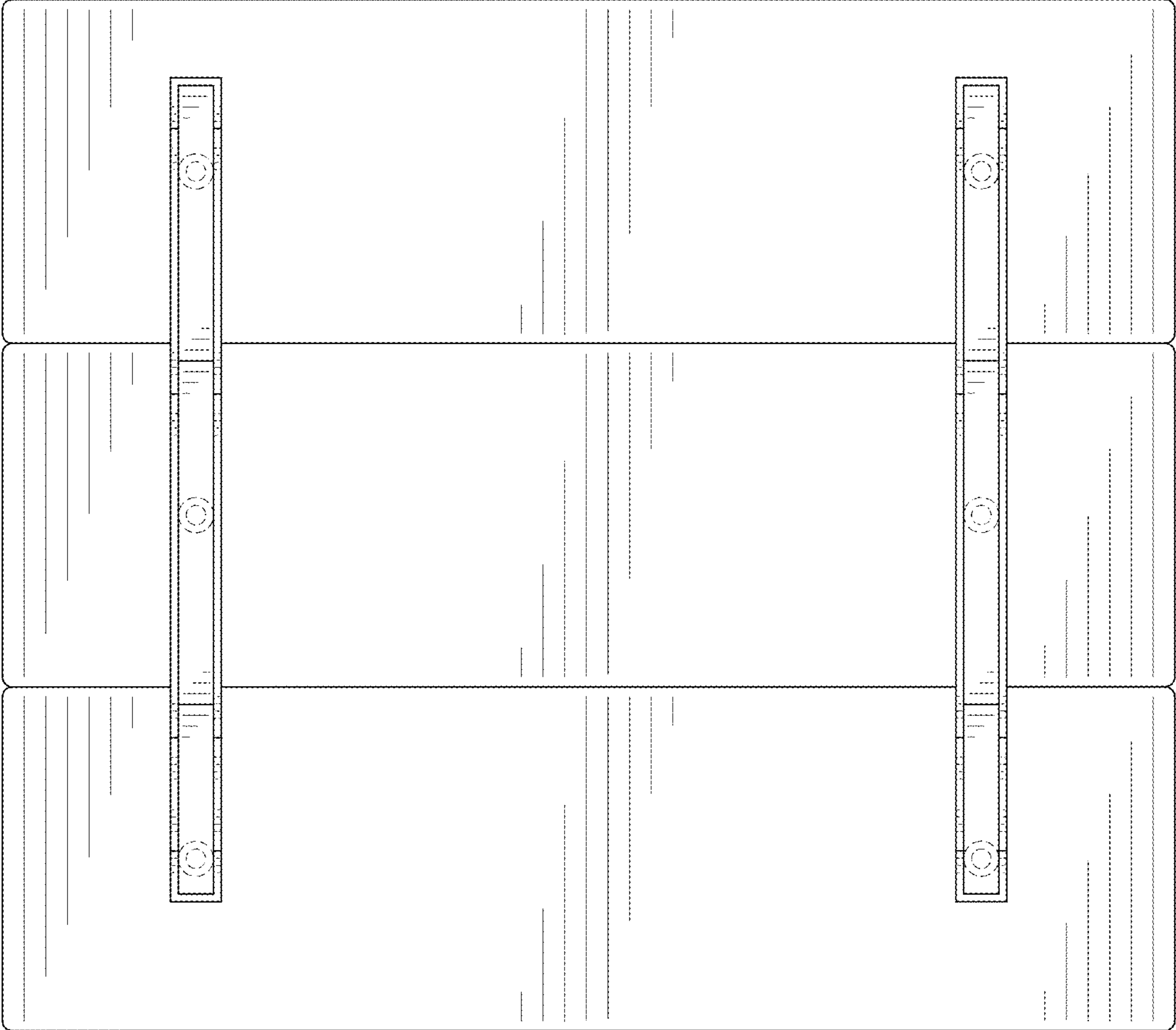


FIG. 8