



(56)

References Cited

U.S. PATENT DOCUMENTS

D879,514 S \* 3/2020 Goldberg ..... D6/656.16  
 D879,515 S \* 3/2020 Goldberg ..... D6/656.16  
 D901,946 S \* 11/2020 Egger ..... D6/656.17  
 D908,402 S \* 1/2021 Jenkins ..... D6/691.5  
 D916,533 S \* 4/2021 Huang ..... D6/656.16  
 D917,935 S \* 5/2021 Huang ..... D6/656.17  
 D922,104 S \* 6/2021 Liu ..... D6/656.17  
 D924,602 S \* 7/2021 Wang ..... D6/656.19  
 11,051,611 B2 \* 7/2021 Goldberg ..... A47B 3/08  
 D926,498 S \* 8/2021 Hu ..... D6/656.16  
 D931,660 S \* 9/2021 Hu ..... D6/656.16  
 D931,661 S \* 9/2021 Hu ..... D6/656.17  
 11,206,921 B1 \* 12/2021 Lin ..... A47B 9/06  
 D942,188 S \* 2/2022 Hu ..... D6/656.17  
 11,239,646 B1 \* 2/2022 Chen ..... A47B 9/00  
 D947,579 S \* 4/2022 Chen ..... D6/656.16  
 D950,986 S \* 5/2022 Hu ..... D6/656.16  
 2017/0290415 A1 \* 10/2017 Hsu ..... A47B 21/00  
 2019/0029413 A1 \* 1/2019 Patton ..... A47B 3/06  
 2019/0059573 A1 \* 2/2019 Tseng ..... A47B 9/04  
 2019/0246789 A1 \* 8/2019 Chen ..... A47B 21/02  
 2020/0154881 A1 \* 5/2020 Applegate ..... A47B 3/0815  
 2020/0229588 A1 \* 7/2020 Chen ..... A47B 9/04  
 2020/0329861 A1 \* 10/2020 Zhang ..... A47C 7/72

2020/0352320 A1 \* 11/2020 Jacobs ..... A47B 21/02  
 2020/0359785 A1 \* 11/2020 Lu ..... A47B 9/00  
 2021/0030146 A1 \* 2/2021 Riebner ..... A47B 9/00  
 2021/0052064 A1 \* 2/2021 Miller ..... A47B 9/00  
 2021/0100354 A1 \* 4/2021 Møller ..... A47B 9/20  
 2021/0145163 A1 \* 5/2021 Lin ..... A47B 9/04  
 2021/0145164 A1 \* 5/2021 Lu ..... A47B 9/16  
 2021/0177137 A1 \* 6/2021 Lindner ..... F16B 12/10  
 2021/0378397 A1 \* 12/2021 Anderson ..... A47B 21/02  
 2022/0031062 A1 \* 2/2022 Albert ..... A47B 9/20

OTHER PUBLICATIONS

“Progressive Automations Desk.” Found online Aug. 12, 2022 at [www.amazon.com](https://www.amazon.com). Product first available Apr. 29, 2020. Retrieved from URL: <https://www.amazon.com/dp/B087X9Z1D8> (Year: 2020).\*

“FEZIBO Height Adjustable Electric Standing Desk.” Found online Aug. 12, 2022 at [www.amazon.com](https://www.amazon.com). Product first available Jul. 3, 2020. Retrieved from URL: <https://www.amazon.com/FEZIBO-Height-Adjustable-Electric-Standing/dp/B08CBV1VC5> (Year: 2020).\*

“IYEE NATURE Electric Standing Desk.” Found online Aug. 12, 2022 at [www.amazon.com](https://www.amazon.com). Product first available Sep. 3, 2021. Retrieved from URL: <https://www.amazon.com/IYEE-NATURE-Electric-Standing-Adjustable/dp/B094D914SD> (Year: 2021).\*

\* cited by examiner

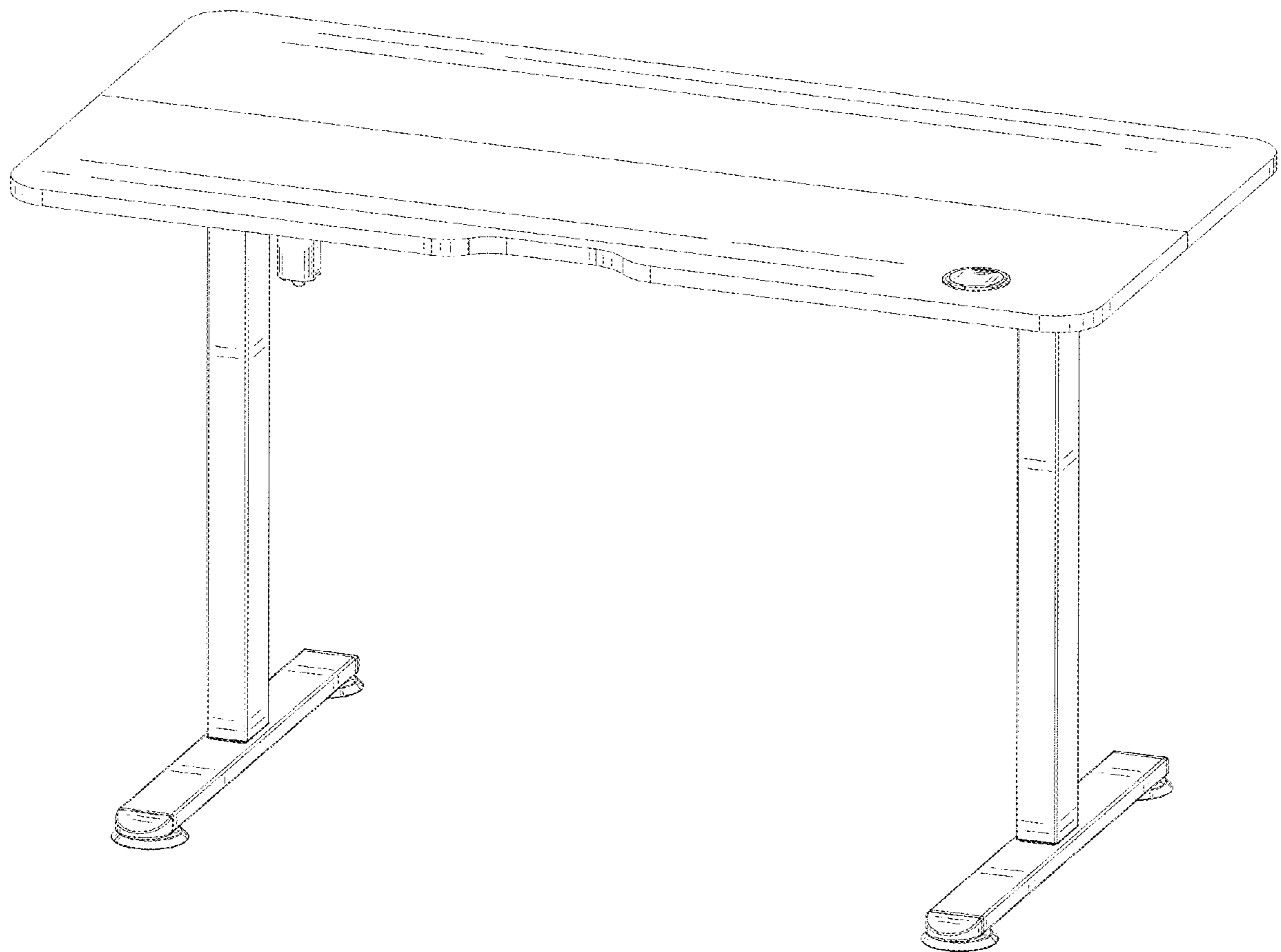


FIG. 1

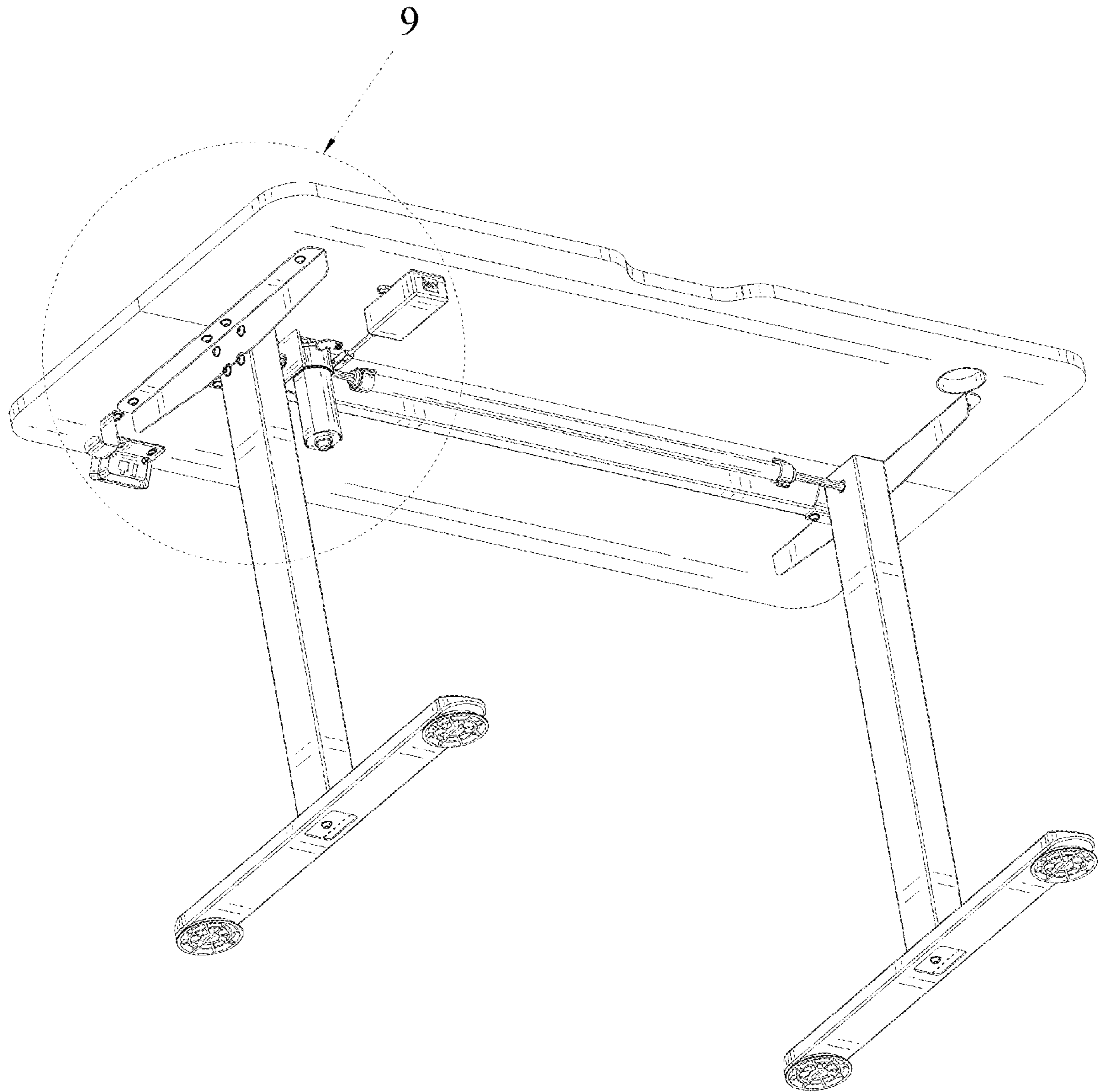


FIG. 2

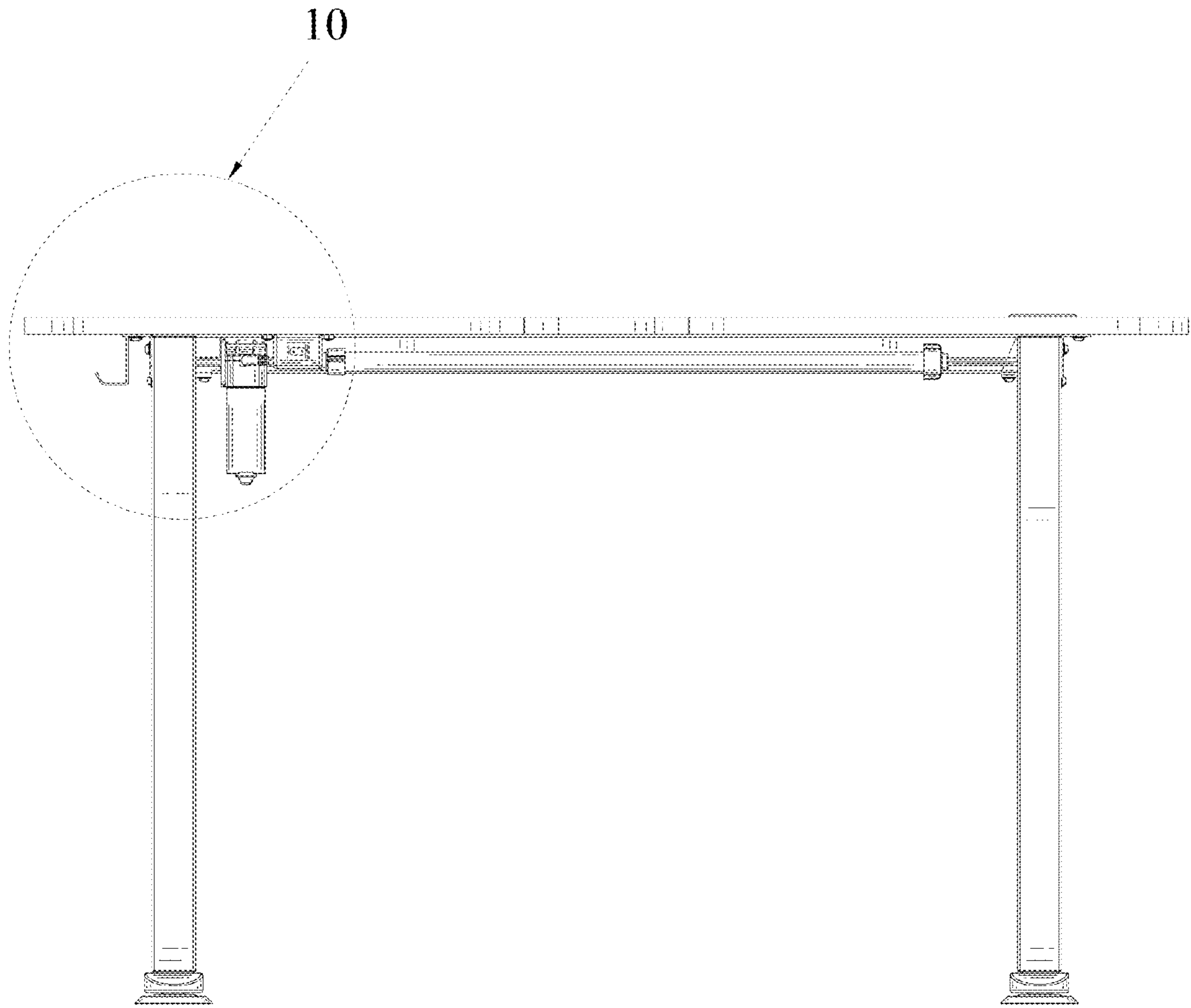


FIG. 3

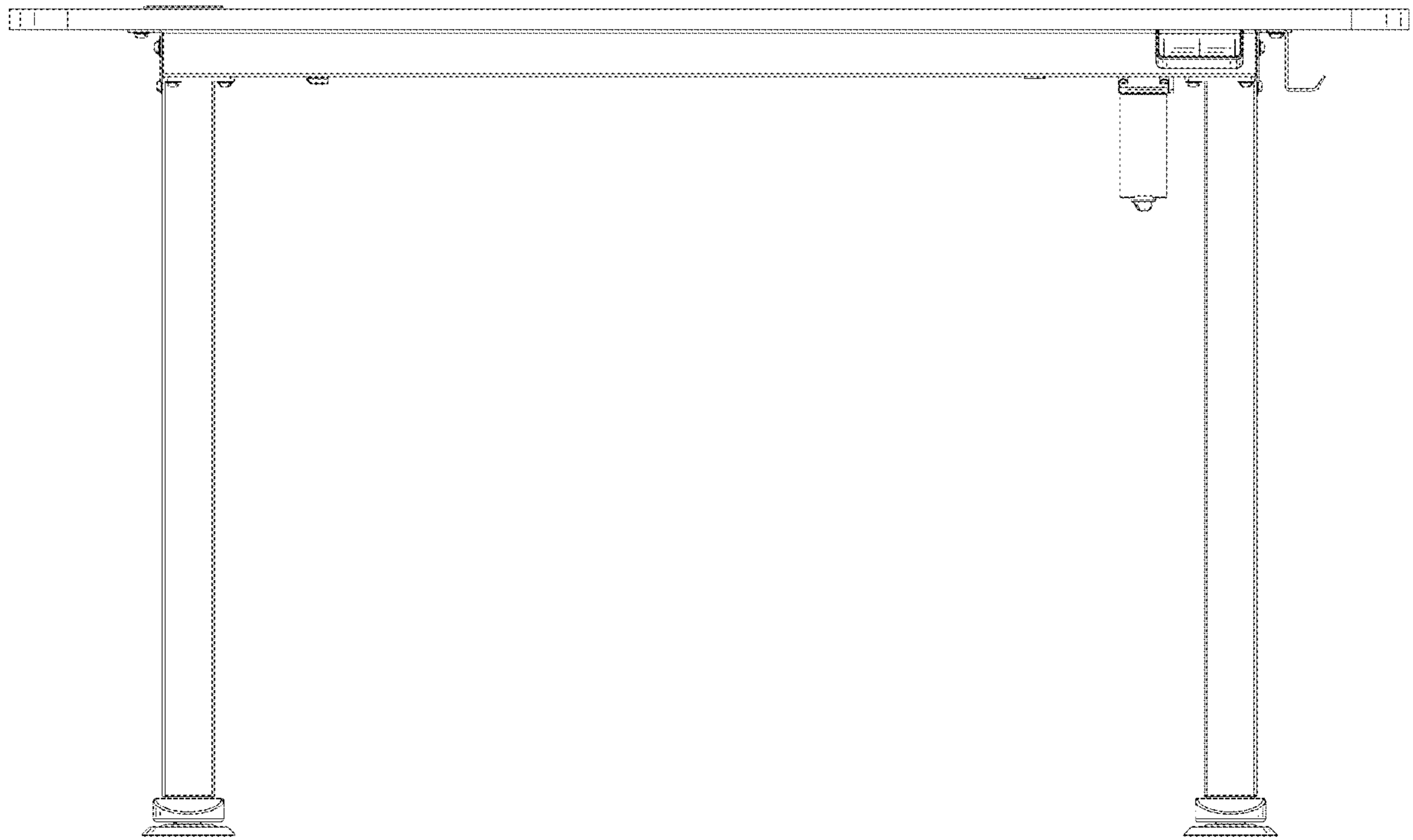


FIG. 4

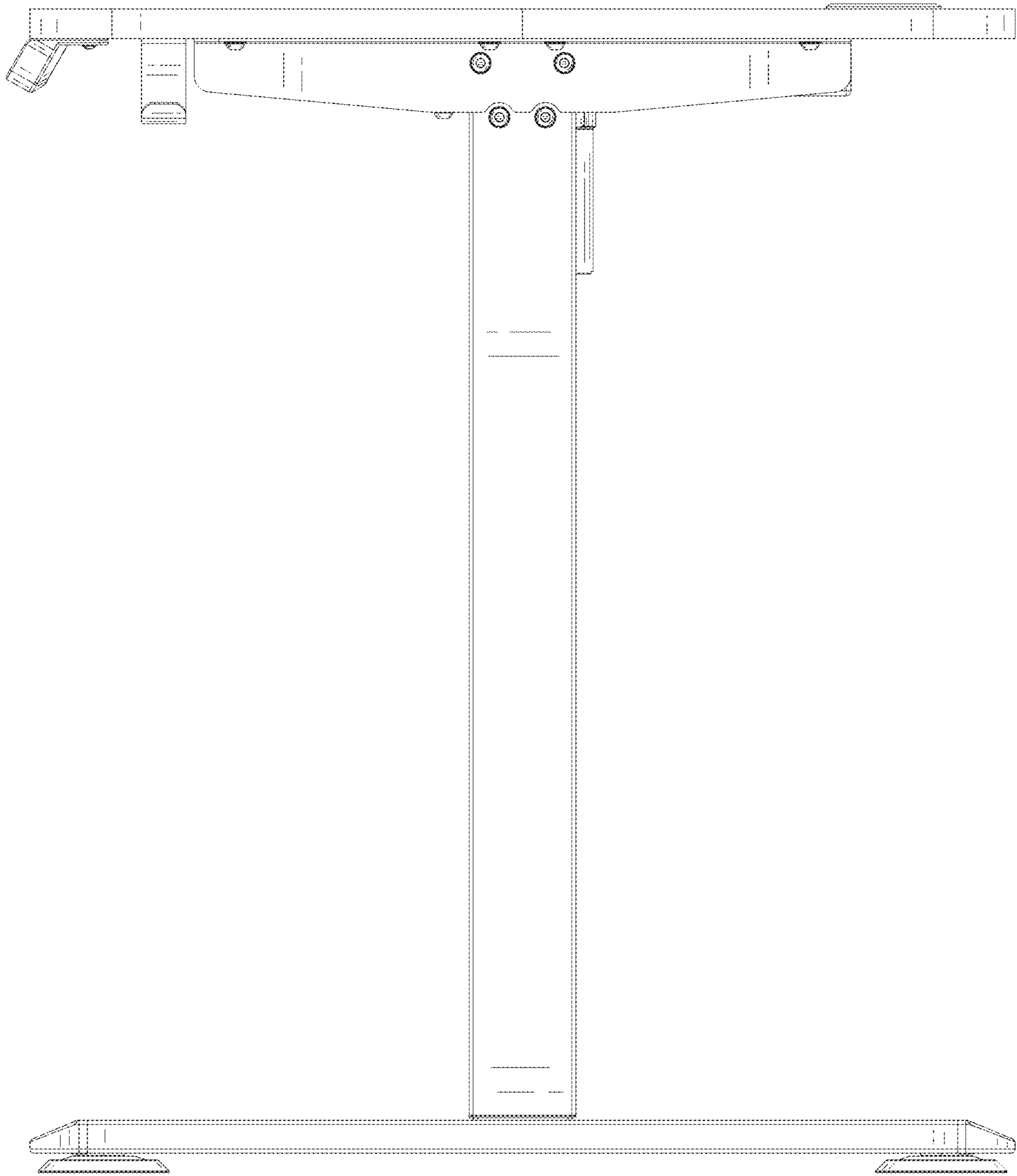


FIG. 5

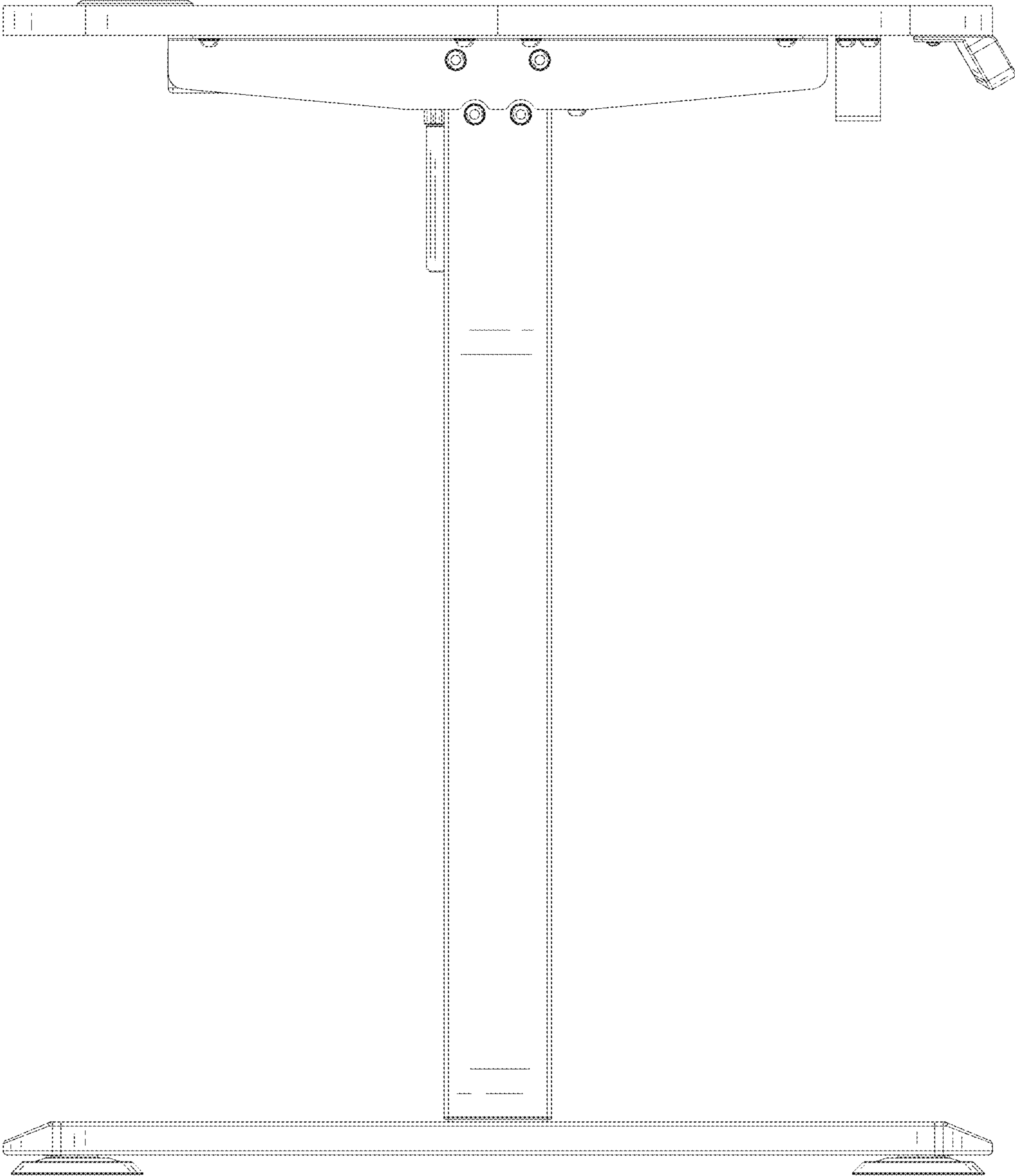


FIG. 6





FIG. 7

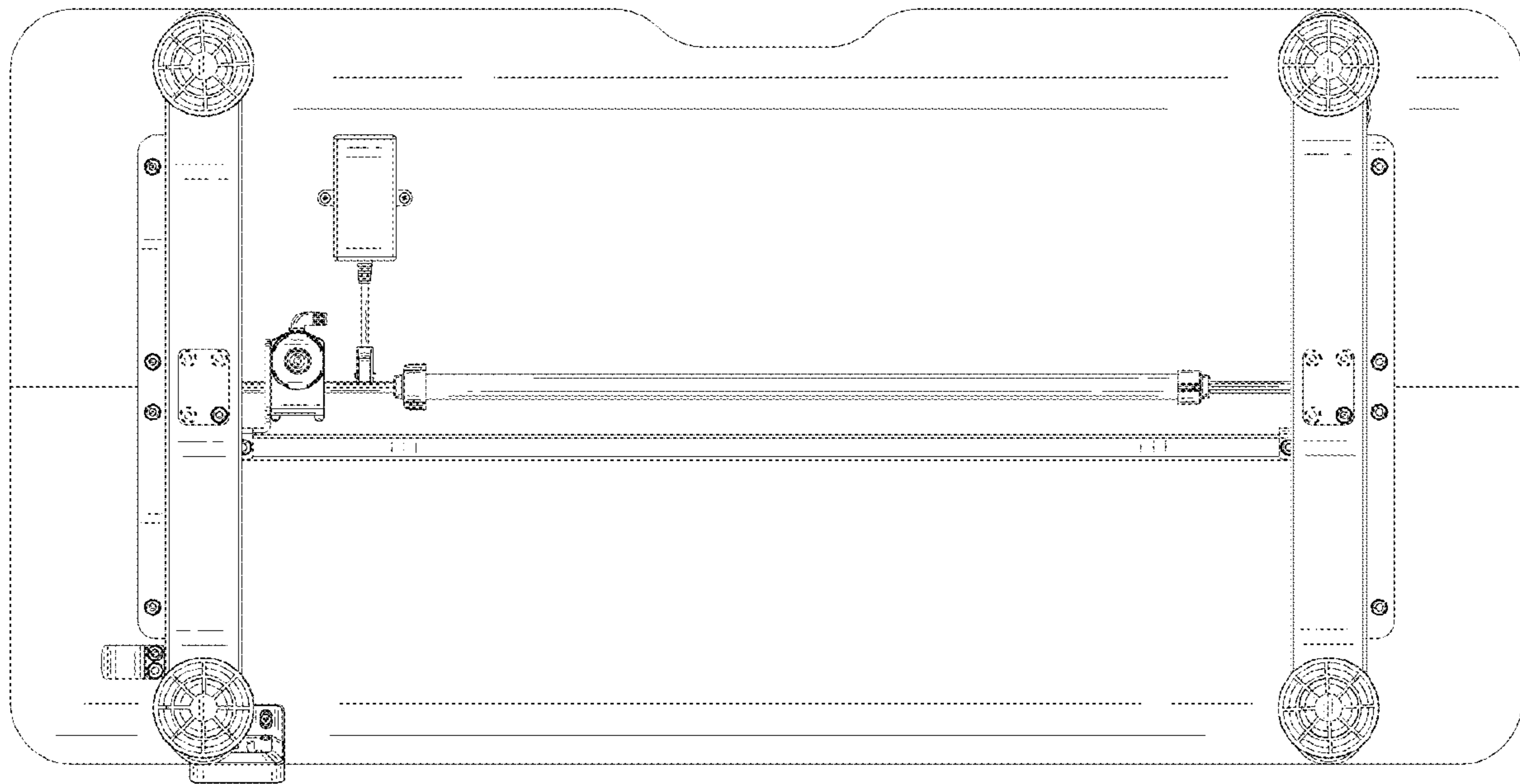


FIG. 8

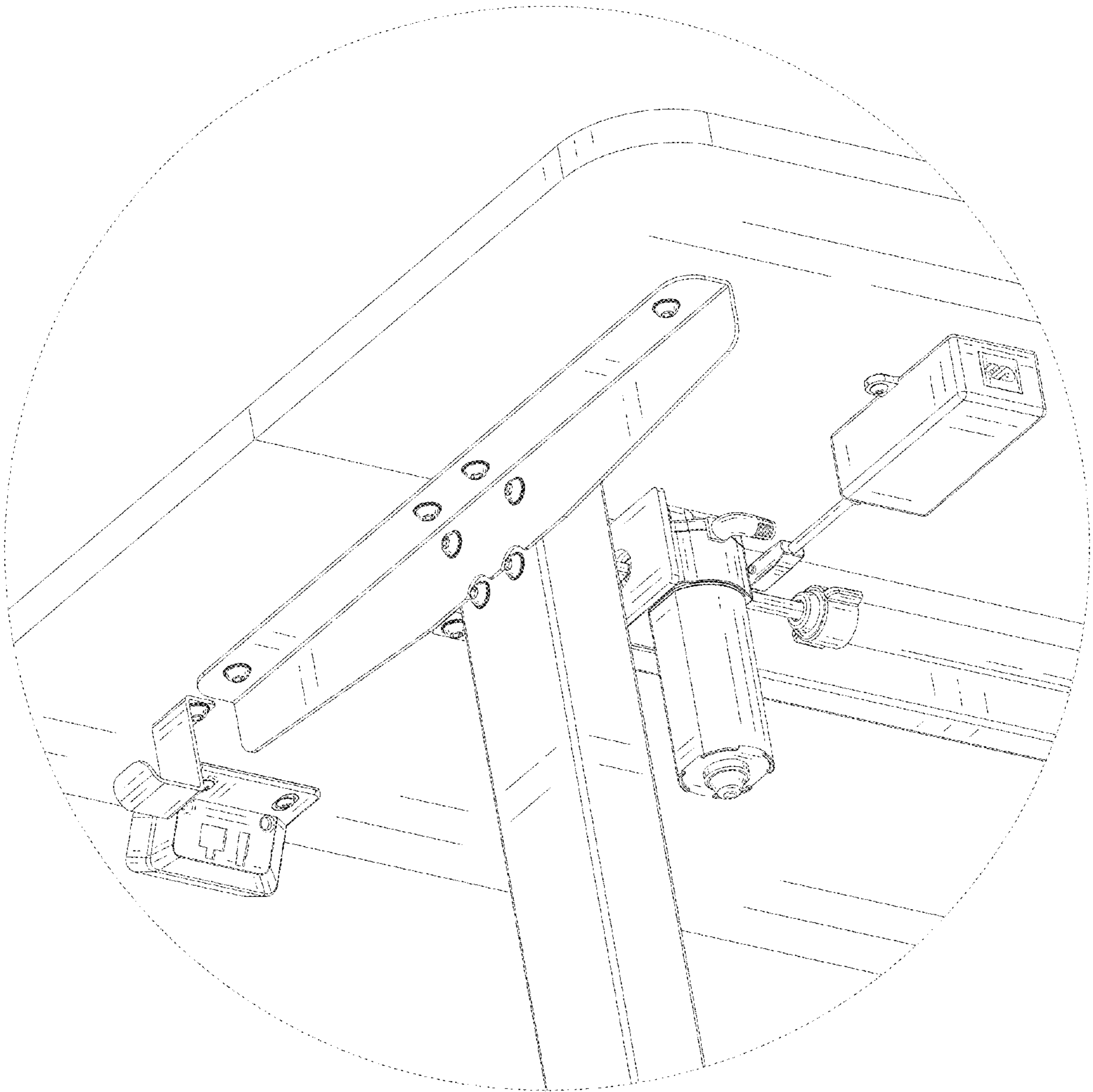


FIG. 9

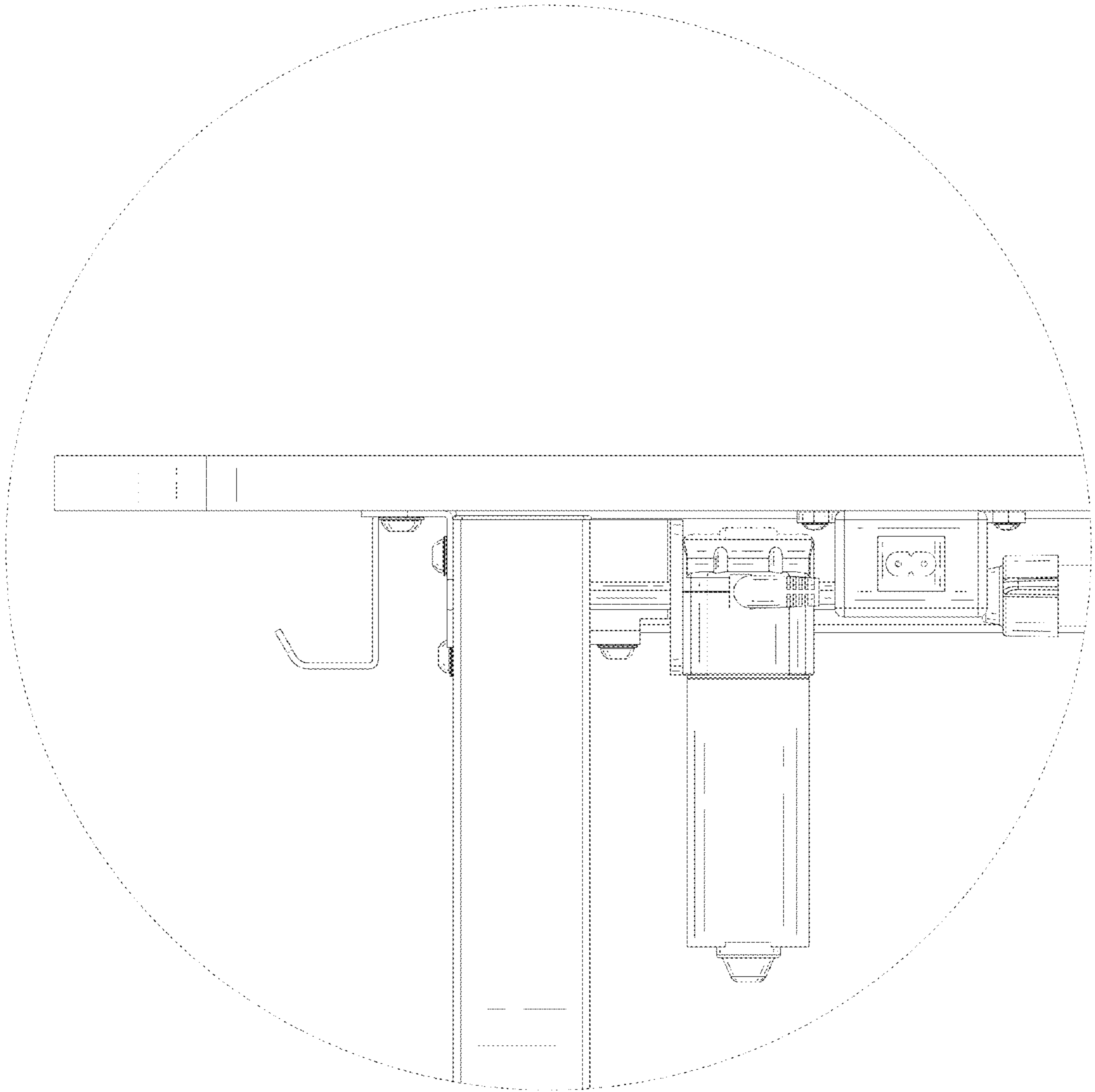


FIG. 10