



US00D972339S

(12) **United States Design Patent**  
**Chen**

(10) **Patent No.:** **US D972,339 S**  
(45) **Date of Patent:** **\*\* Dec. 13, 2022**

(54) **CAR PET MAT**

(71) Applicant: **SHENZHEN QIANHAI PATUOXUN NETWORK AND TECHNOLOGY CO., LTD**, Shenzhen (CN)

(72) Inventor: **Qian Chen**, Shenzhen (CN)

(73) Assignee: **SHENZHEN QIANHAI PATUOXUN NETWORK AND TECHNOLOGY CO., LTD**, Shenzhen (CN)

(\*\*) Term: **15 Years**

(21) Appl. No.: **29/765,667**

(22) Filed: **Jan. 11, 2021**

(30) **Foreign Application Priority Data**

Nov. 21, 2020 (CN) ..... 202030708420.1

(51) **LOC (13) Cl.** ..... **06-13**

(52) **U.S. Cl.**  
USPC ..... **D6/611**

(58) **Field of Classification Search**  
USPC ..... D6/610-612; D7/402; D12/221  
(Continued)

(56) **References Cited**

**U.S. PATENT DOCUMENTS**

D537,289 S \* 2/2007 Eskandry ..... D6/611  
9,845,033 B1 \* 12/2017 Umlauf ..... B60N 2/36  
(Continued)

**OTHER PUBLICATIONS**

URPOWER Dog Seat Cover with Detachable Mesh Window. sold on amazon.com. Apr. 18, 2019. Accessed on Jul. 14, 2022. <<https://www.amazon.com/URPOWER-Detachable-Waterproof-Non-slip-Washable/dp/B07R2JLR4V/>>. (Year: 2019).\*

(Continued)

*Primary Examiner* — Kevin K Rudzinski

*Assistant Examiner* — Clare Ann Gannon

(57) **CLAIM**

The ornamental design for a car pet mat, as shown and described.

**DESCRIPTION**

FIG. 1 is a top perspective view of a first embodiment of a car pet mat showing my new design;  
FIG. 2 is a front elevational view of the first embodiment thereof;  
FIG. 3 is a rear elevational view of the first embodiment thereof;  
FIG. 4 is a left side elevational view of the first embodiment thereof;  
FIG. 5 is a right side elevational view of the first embodiment thereof;  
FIG. 6 is a top plan view of the first embodiment thereof;  
FIG. 7 is a bottom plan view of the first embodiment thereof;  
FIG. 8 is a top perspective view of the first embodiment thereof, with the roller blind being rolled down;  
FIG. 9 is a bottom perspective view of the first embodiment thereof in an unfolded state, with the roller blind being rolled up;  
FIG. 10 is a bottom perspective view of the first embodiment thereof in an unfolded state, with the roller blind being rolled down;  
FIG. 11 is an enlarged view of portion 11 in FIG. 4;  
FIG. 12 is a top perspective view of a second embodiment of a car pet mat showing my new design;  
FIG. 13 is a front elevational view of the second embodiment thereof;  
FIG. 14 is a rear elevational view of the second embodiment thereof;  
FIG. 15 is a left side elevational view of the second embodiment thereof;  
FIG. 16 is a right side elevational view of the second embodiment thereof;  
FIG. 17 is a top plan view of the second embodiment thereof;  
FIG. 18 is a bottom plan view of the second embodiment thereof;  
FIG. 19 is a top perspective view of the second embodiment thereof, with the roller blind being rolled down;

(Continued)

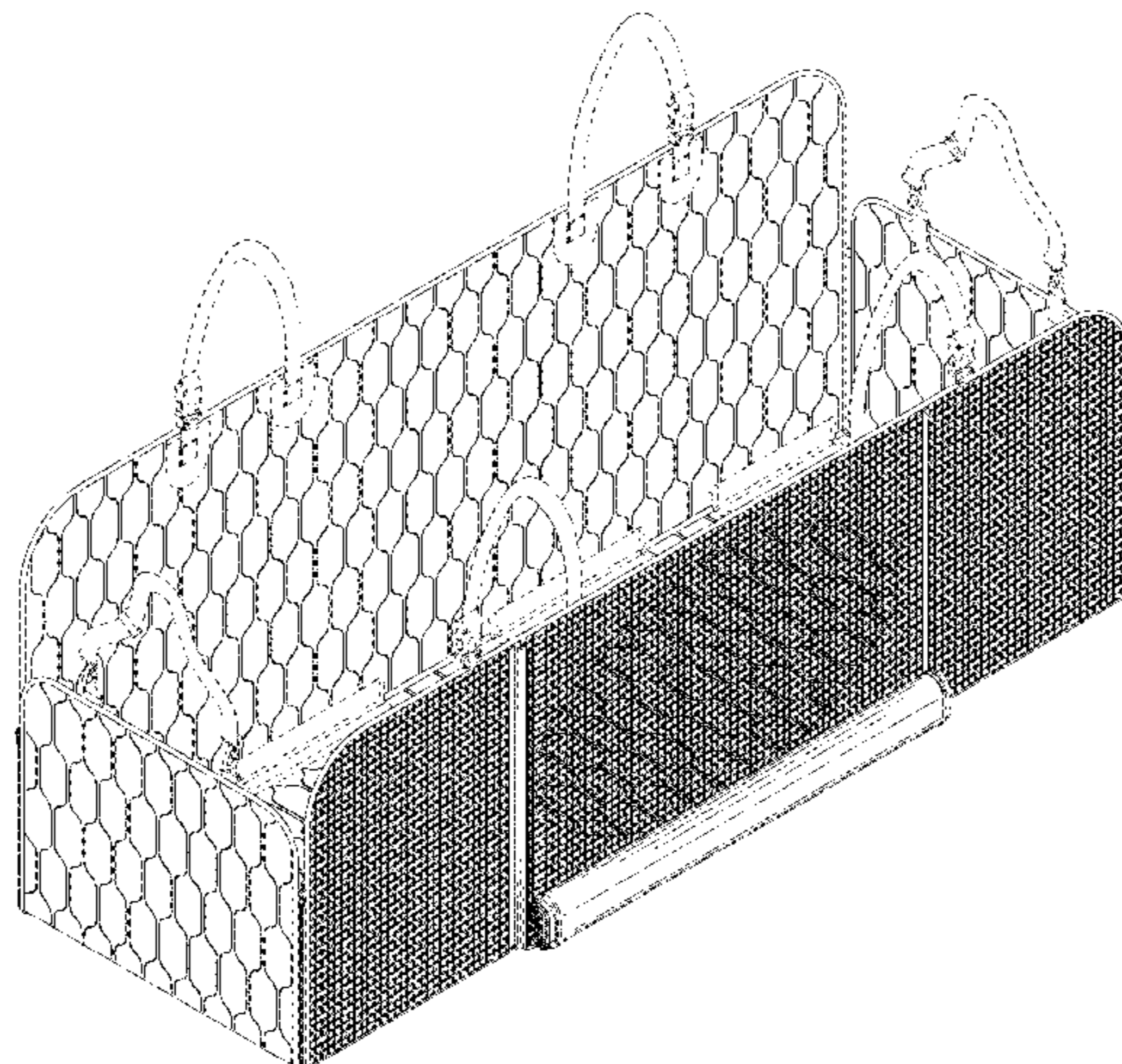


FIG. 20 is a top perspective view of the second embodiment thereof in an unfolded state, with the roller blind being rolled up;

FIG. 21 is a top perspective view of the second embodiment thereof in an unfolded state, with the roller blind being rolled down; and,

FIG. 22 is an enlarged view of portion 22 in FIG. 15. The broken lines in the drawings illustrate portions of the car pet mat that form no part of the claimed design.

**1 Claim, 22 Drawing Sheets**

(58) **Field of Classification Search**

CPC ..... A47C 31/10; A47C 31/11; A47C 7/386;  
A47J 37/0786; B60N 2/60; B60N 2/6018;  
A47K 1/06

See application file for complete search history.

(56) **References Cited**

U.S. PATENT DOCUMENTS

D851,963 S \* 6/2019 Fischer-Livneh .... B60N 2/6027  
D6/611  
D880,198 S \* 4/2020 Umlauf ..... B60N 2/90  
D6/611

D883,716 S \* 5/2020 Hu ..... D6/611  
D904,798 S \* 12/2020 Cameron ..... D6/611  
D923,974 S \* 7/2021 Xu ..... D6/611  
D932,215 S \* 10/2021 Zheng ..... D6/611  
D946,313 S \* 3/2022 Xiao ..... B60N 2/36  
D946,314 S \* 3/2022 Xiao ..... D6/611  
2016/0318430 A1\* 11/2016 Umlauf ..... B60N 2/90  
2019/0106034 A1\* 4/2019 Leon Guerrero .... B60N 2/3045  
2021/0070202 A1\* 3/2021 Li ..... B60N 2/6027  
2022/0061264 A1\* 3/2022 Pan ..... A01K 1/0272

OTHER PUBLICATIONS

Convertible Dog Mammock By Tucker Murphy Pet. Sold on Wayfair.com. Dec. 12, 2021. Accessed on Jul. 14, 2022. <<https://www.wayfair.com/pet/pdp/tucker-murphy-pet-convertible-dog-hammock-scratch-proof-pet-car-seat-cover-w007233041.html>> (Year: 2021).\*

CelesAmi Dog Car Seat Cover for Back Seat. Sold on Amazon.com. Accessed on Jul. 14, 2022. <<https://www.amazon.com/CelesAmi-Dog-Car-Seat-Cover/dp/B09TL2QSCC?th=1>>. (Year: 2022).\*

\* cited by examiner

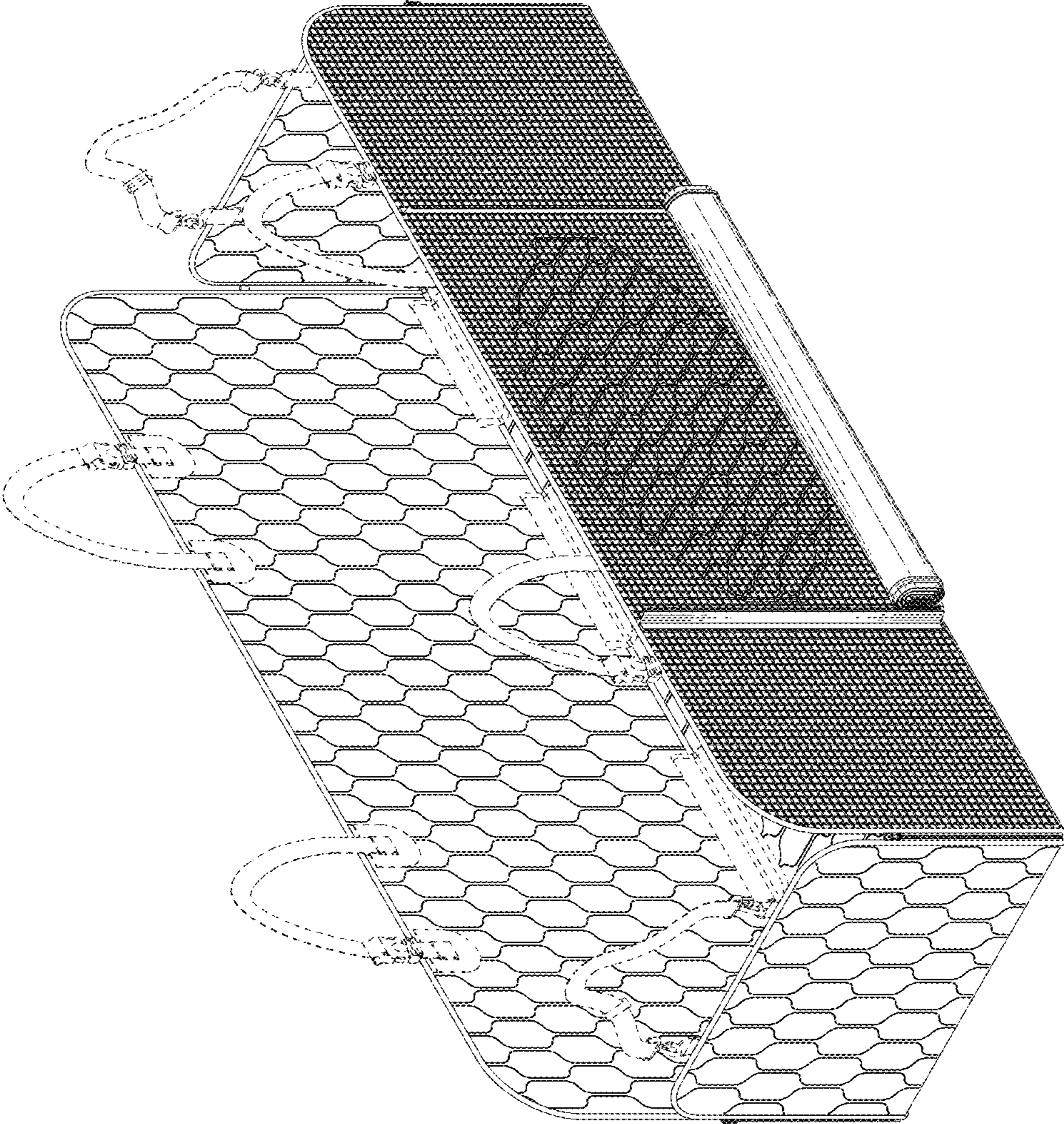


FIG.1

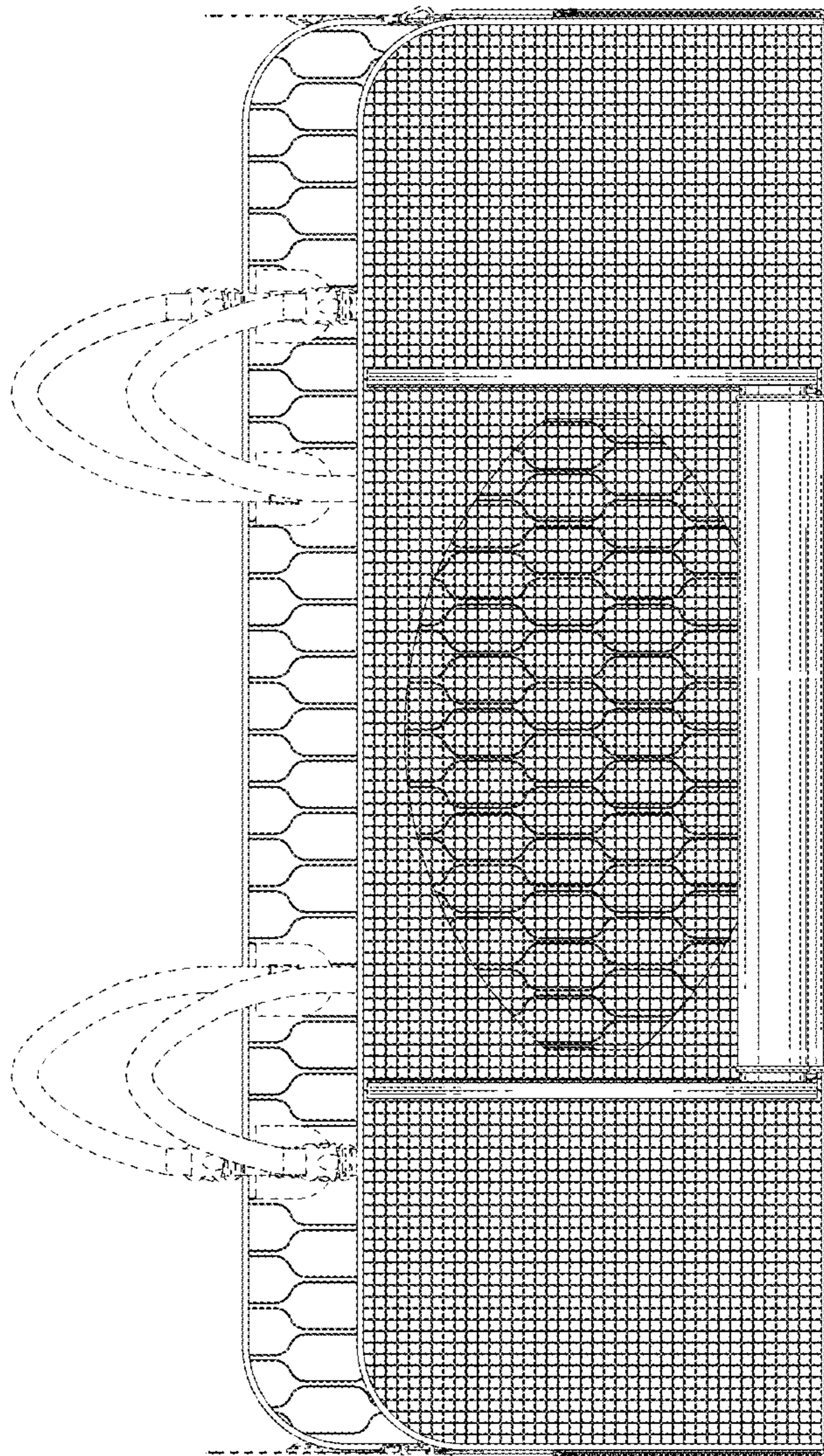


FIG.2

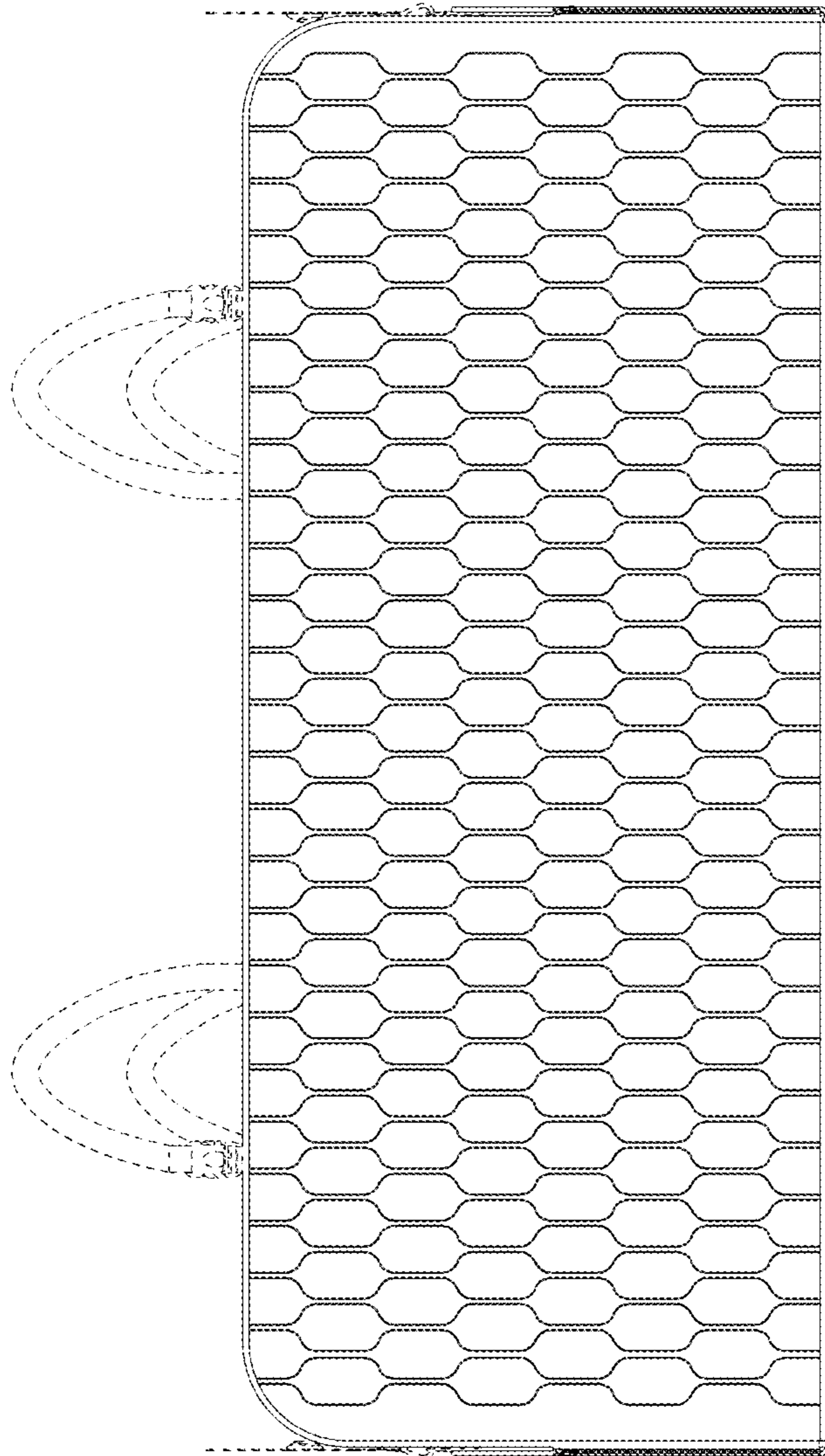


FIG.3

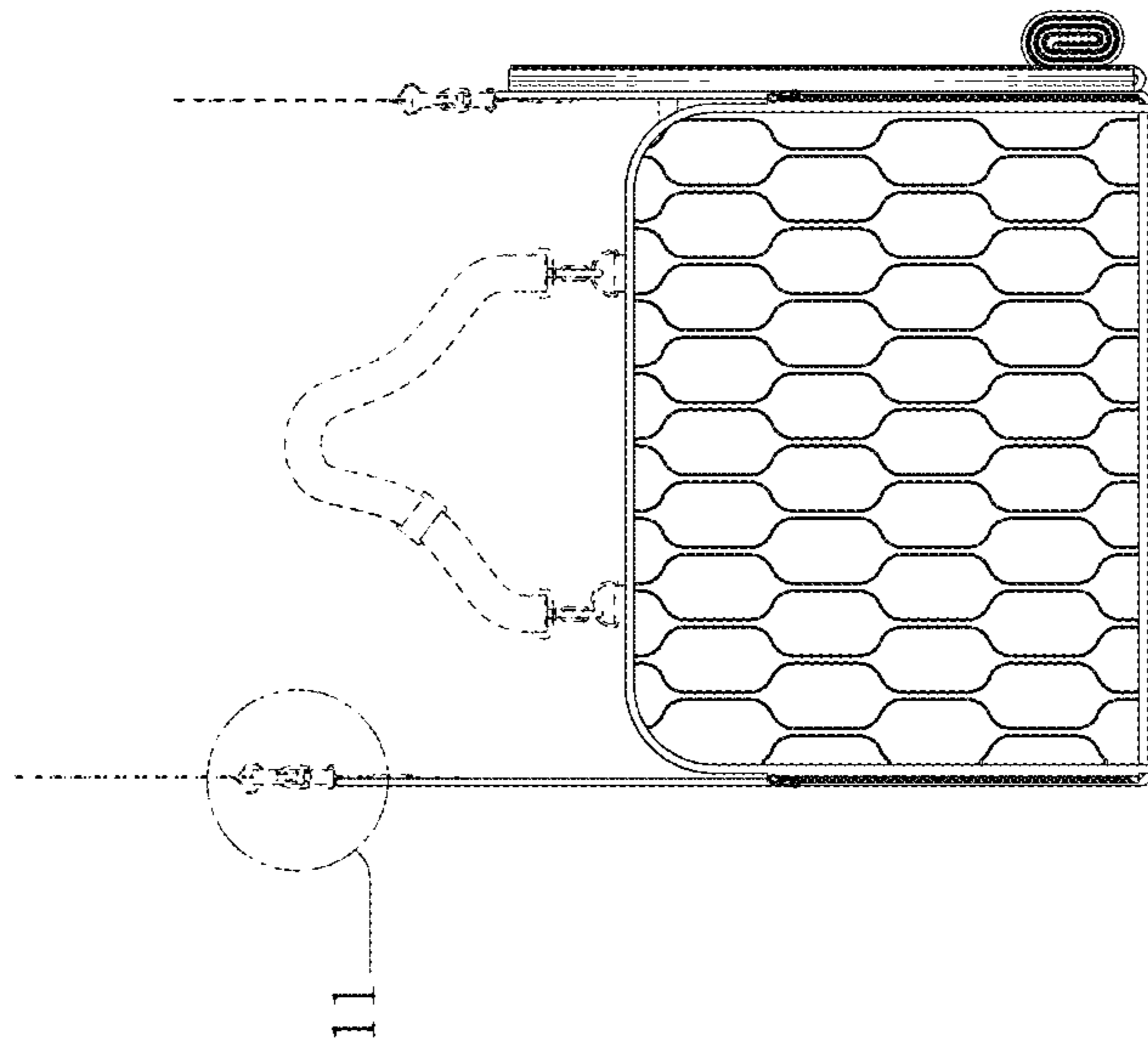


FIG.4

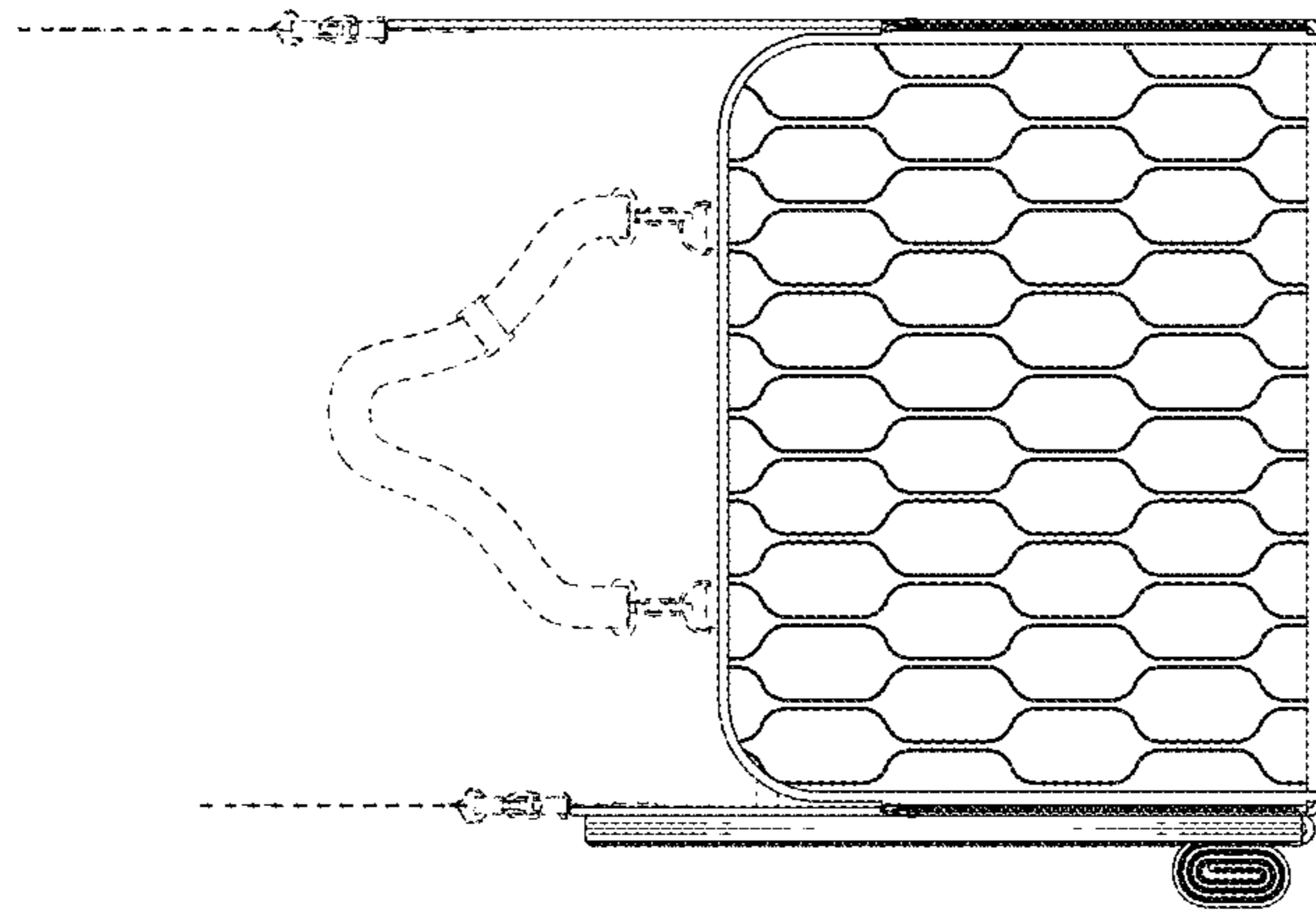


FIG.5

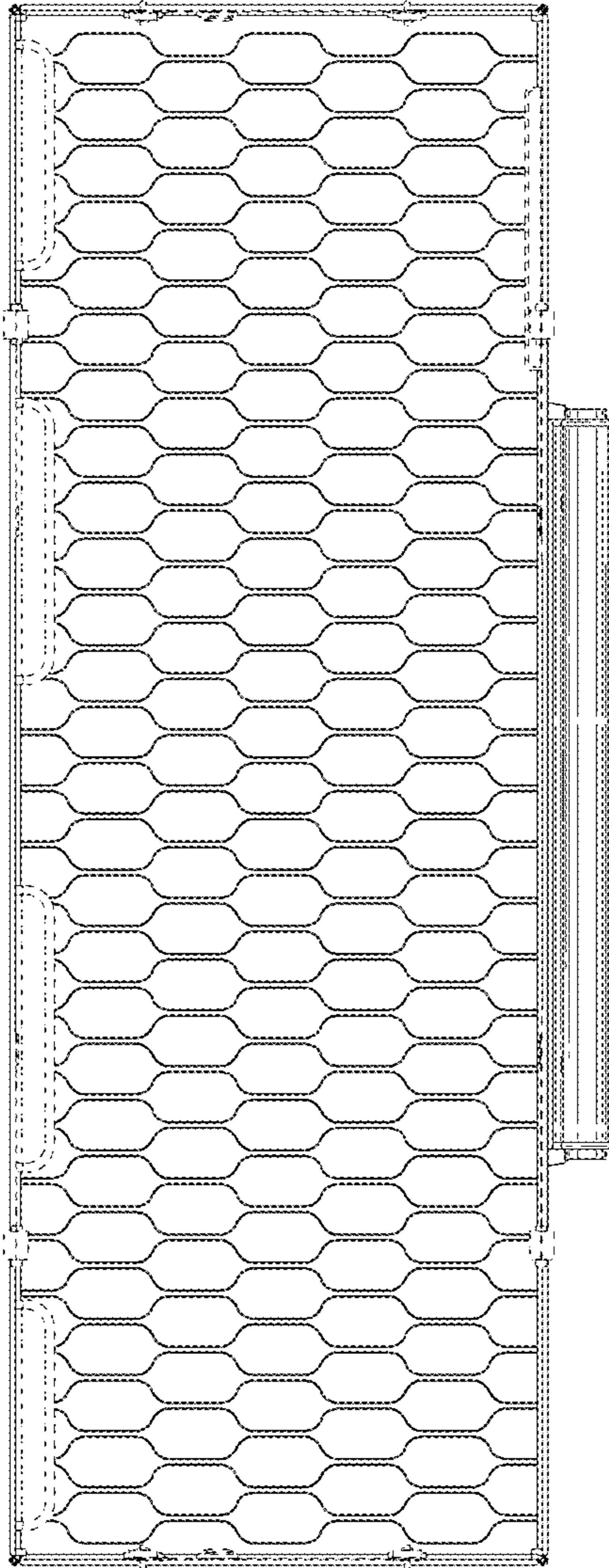


FIG.6



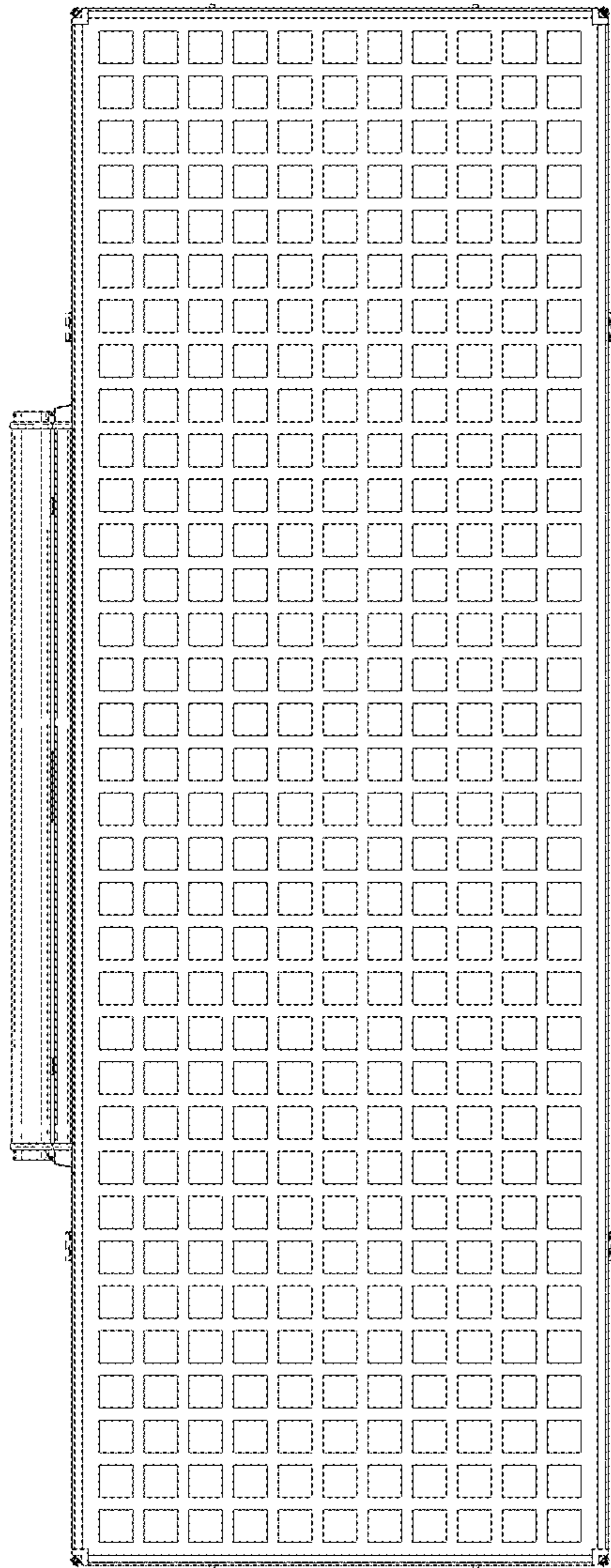


FIG.7

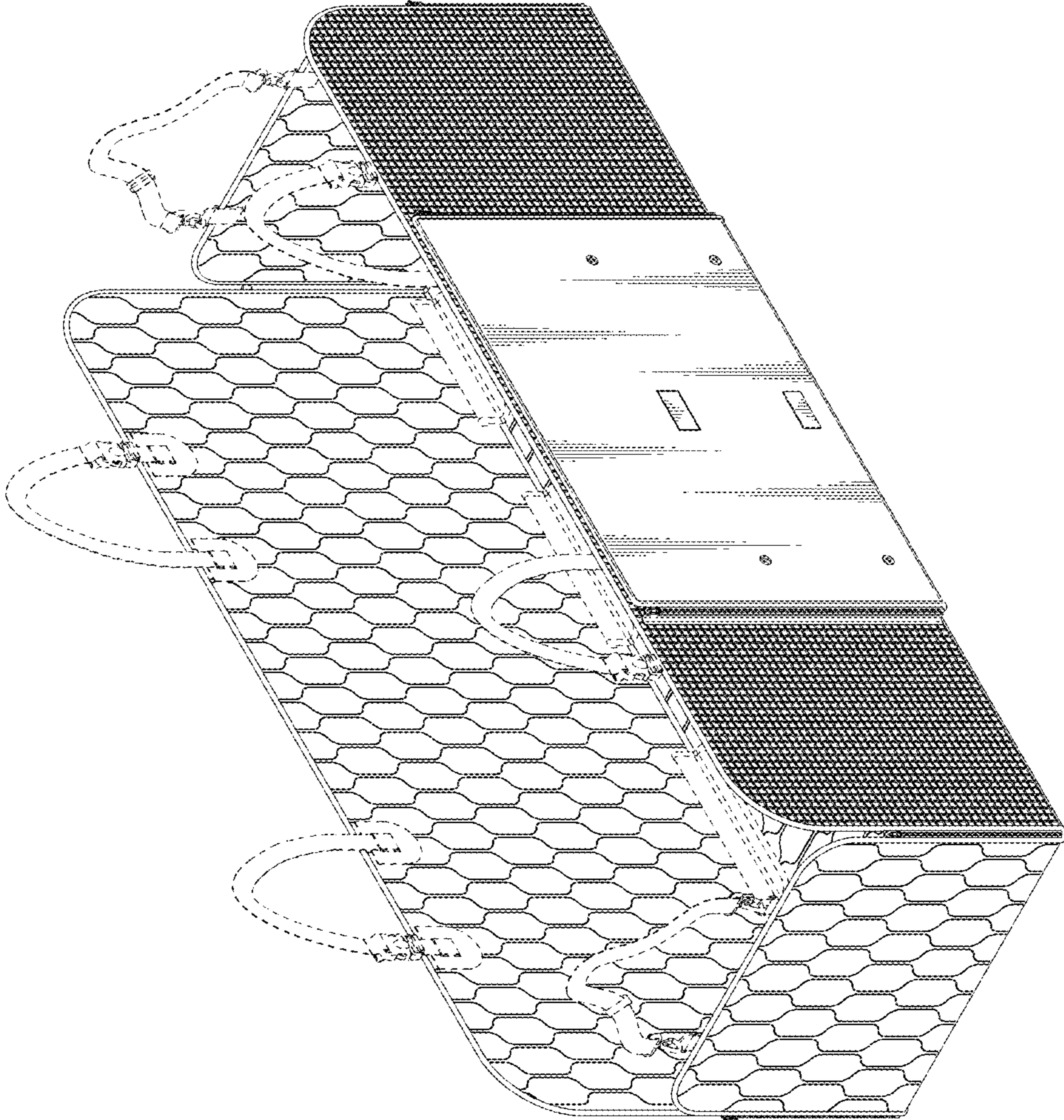


FIG.8

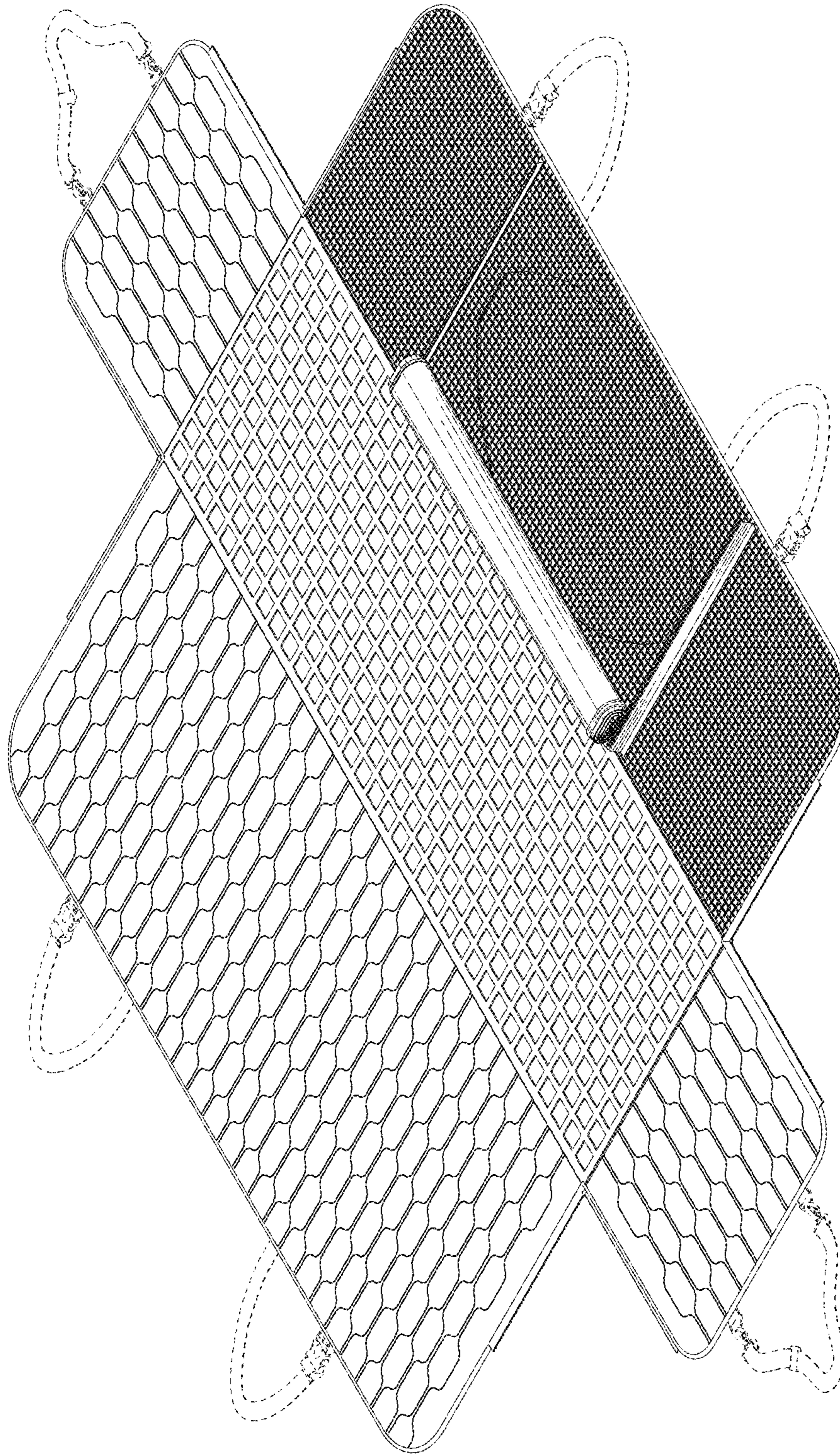


FIG.9

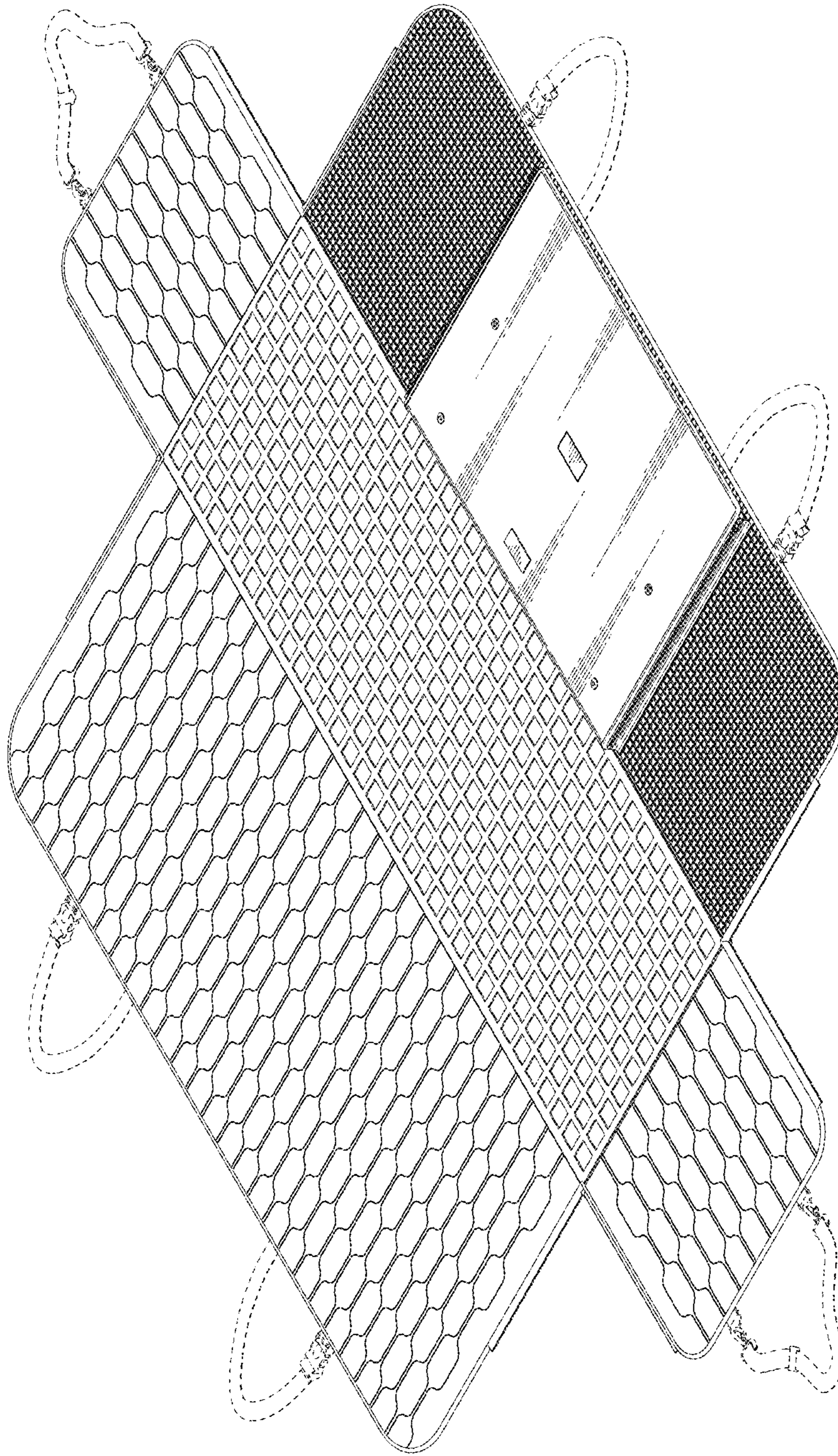


FIG.10

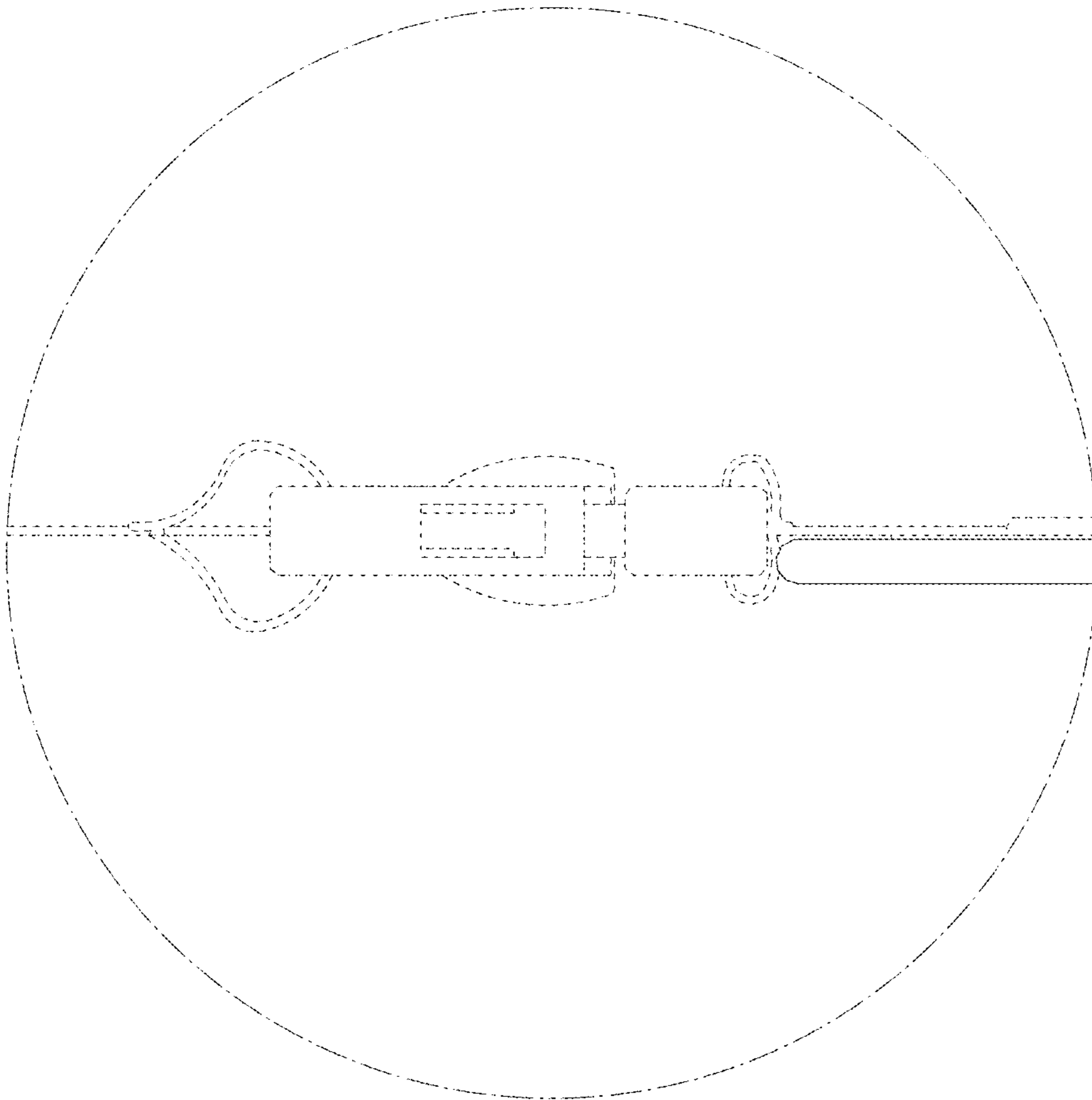


FIG.11

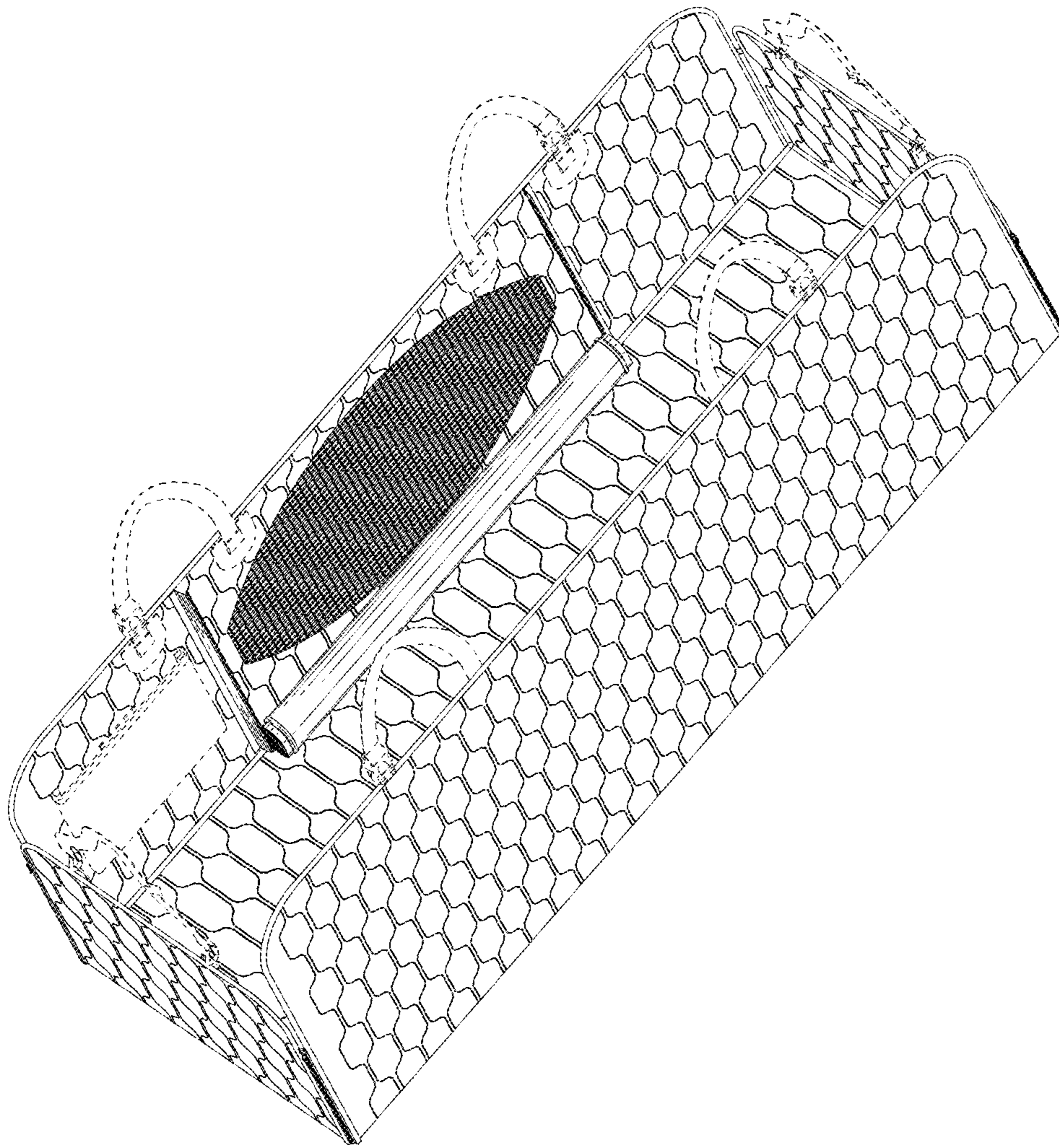


FIG.12

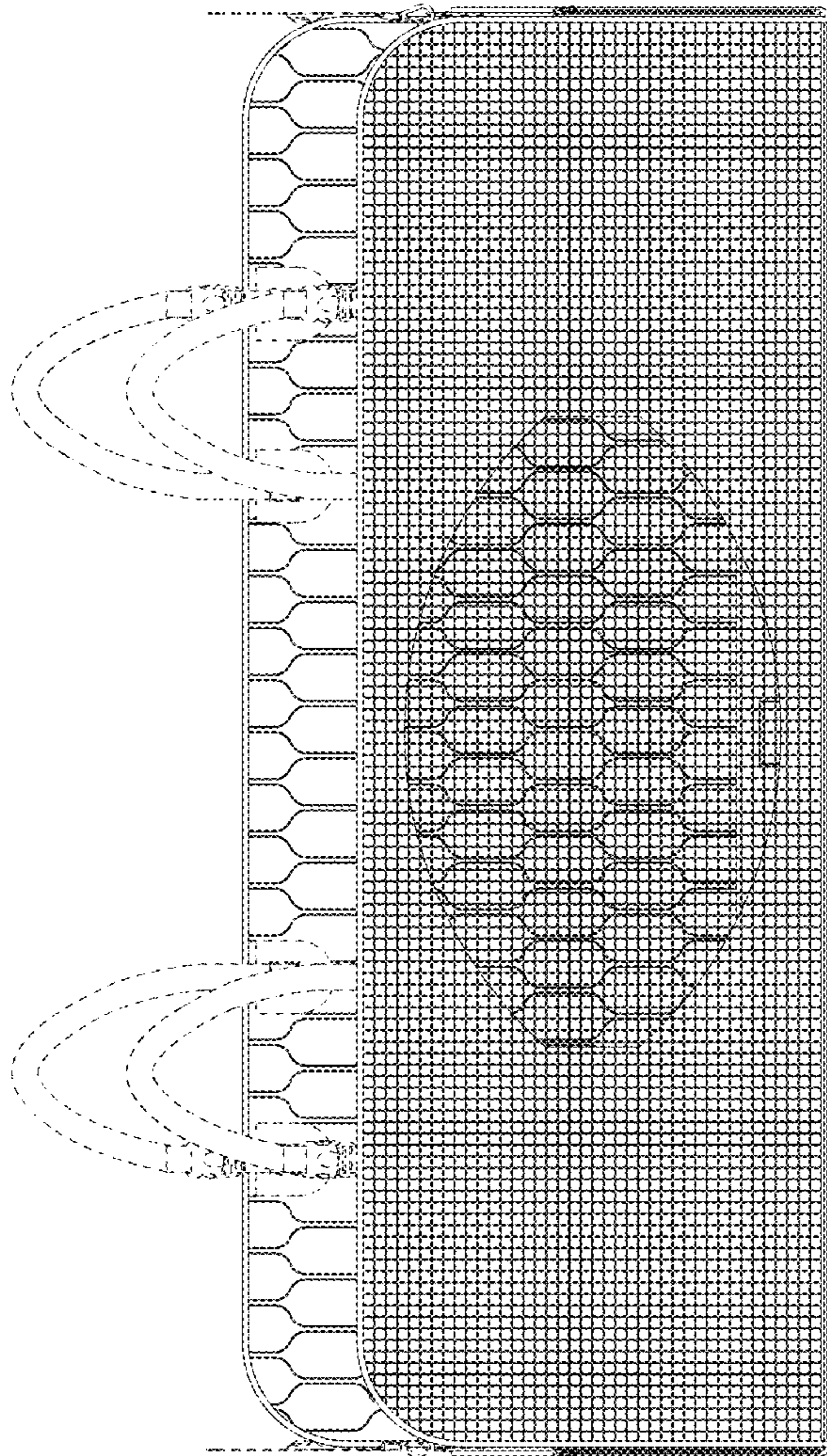


FIG.13

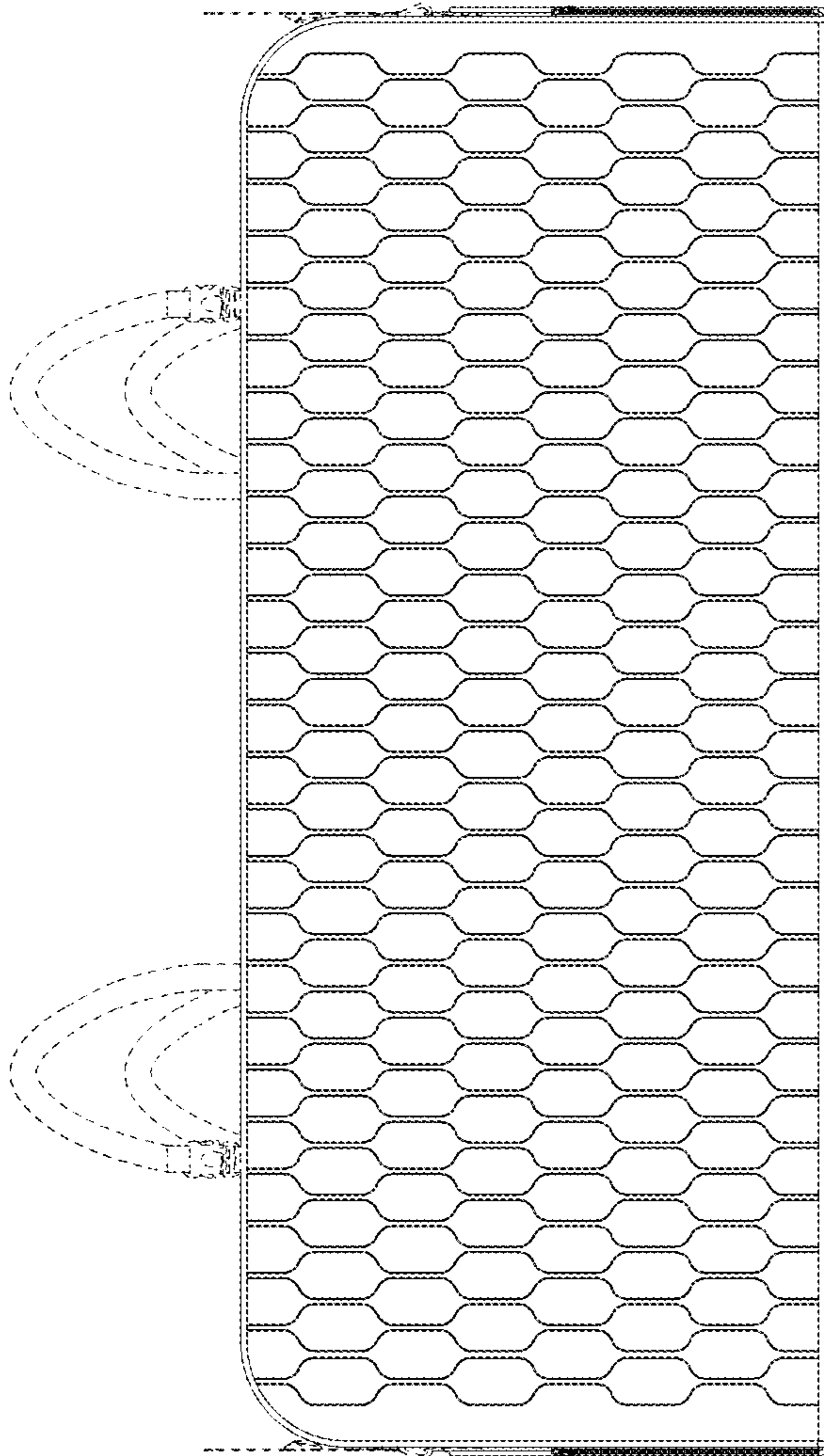


FIG. 14



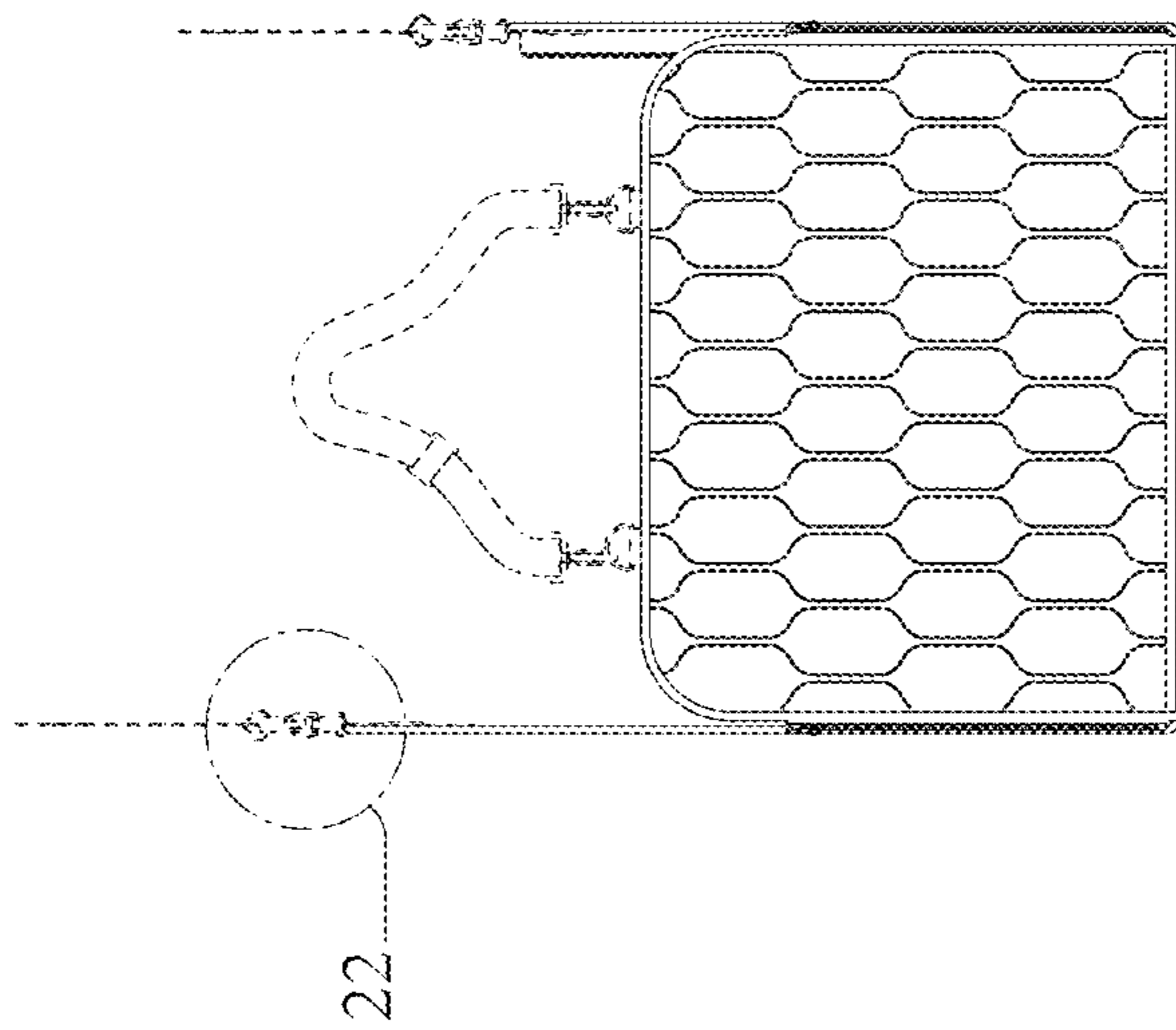


FIG.15

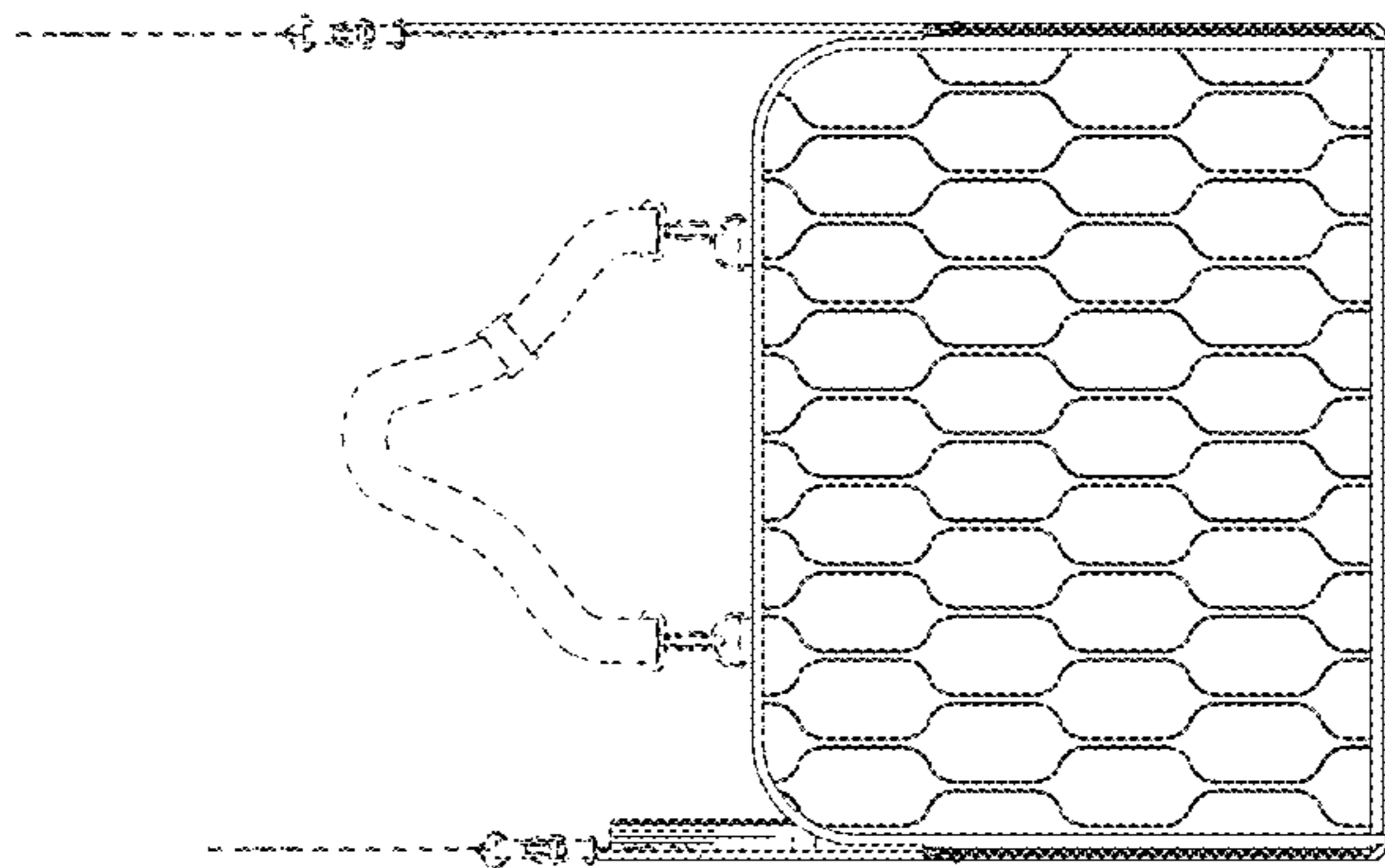


FIG.16

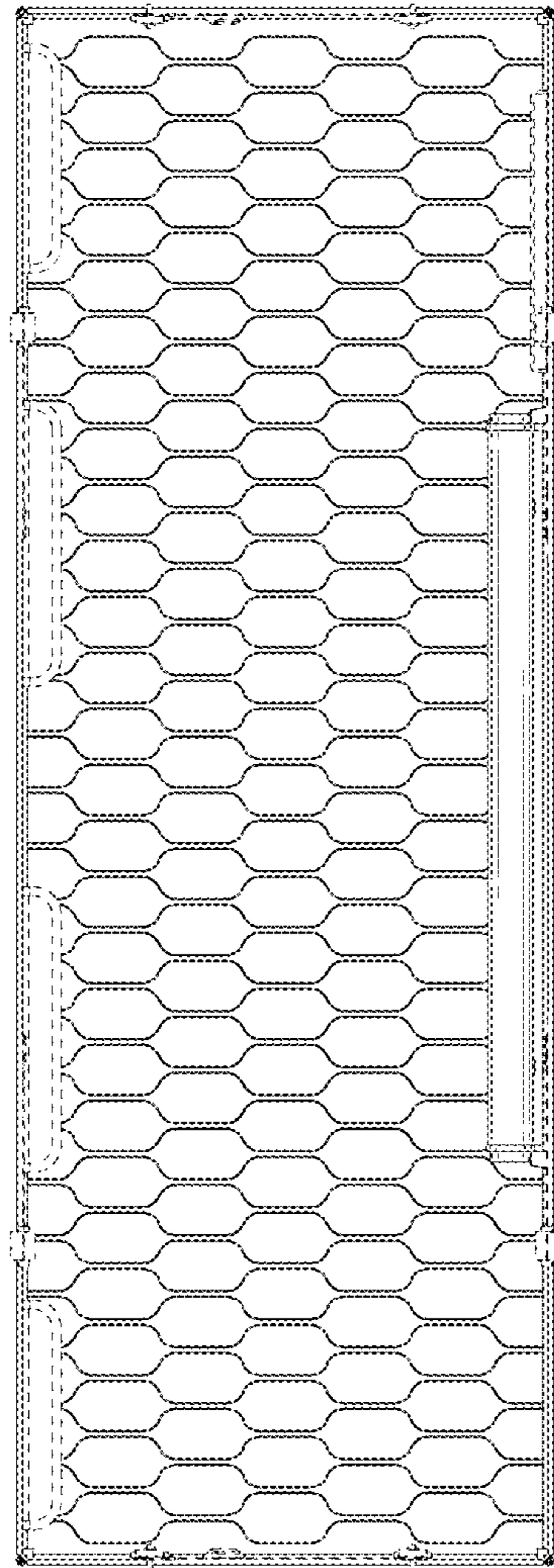


FIG.17

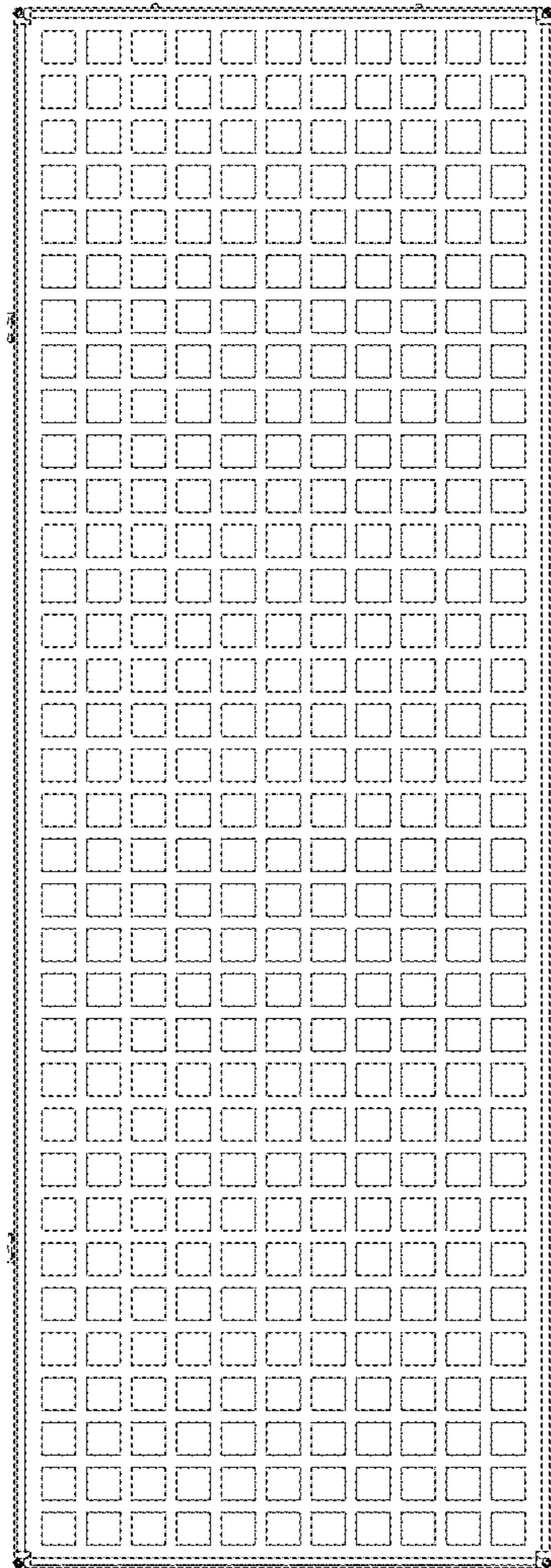


FIG.18



FIG.19

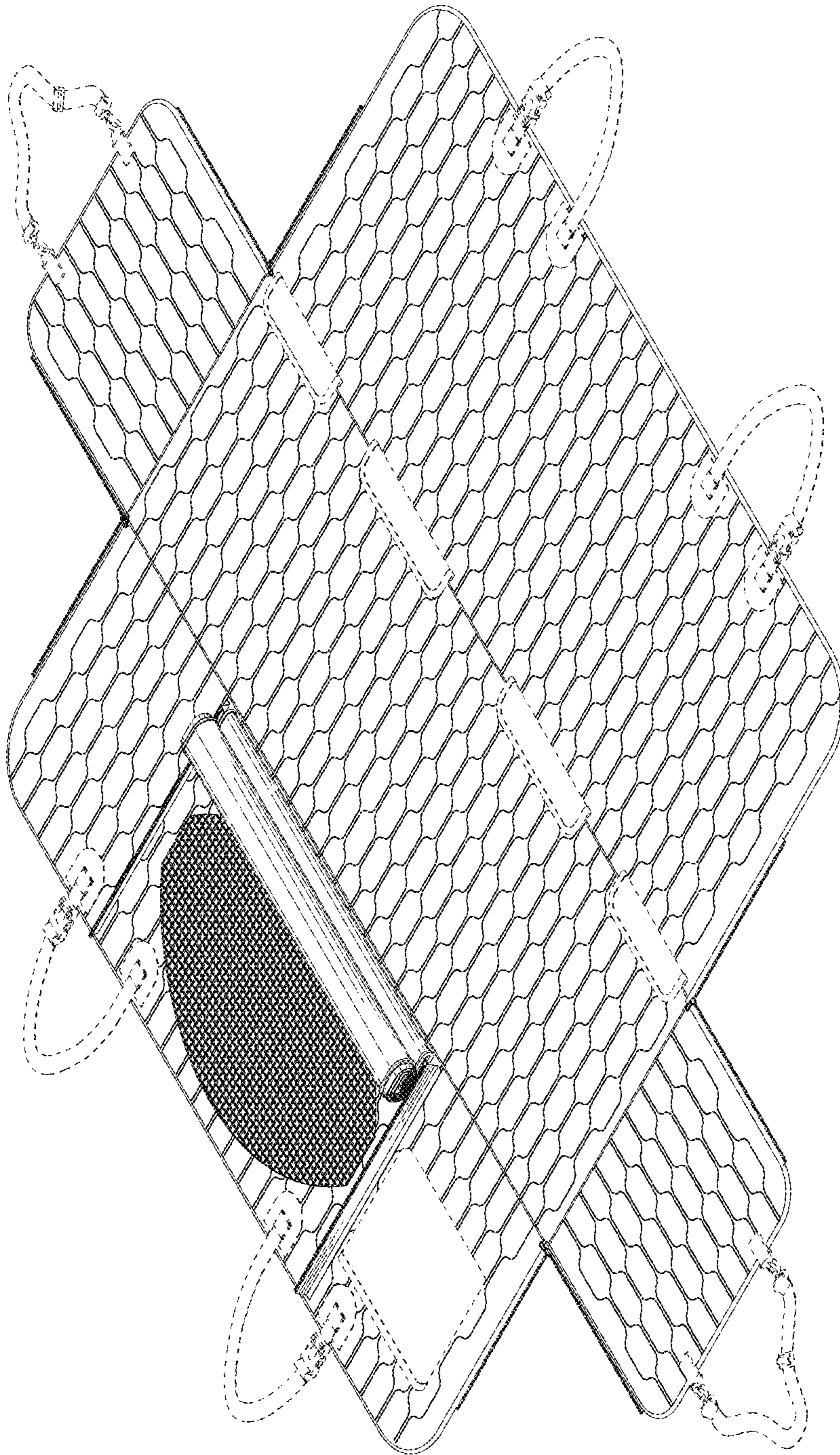


FIG.20

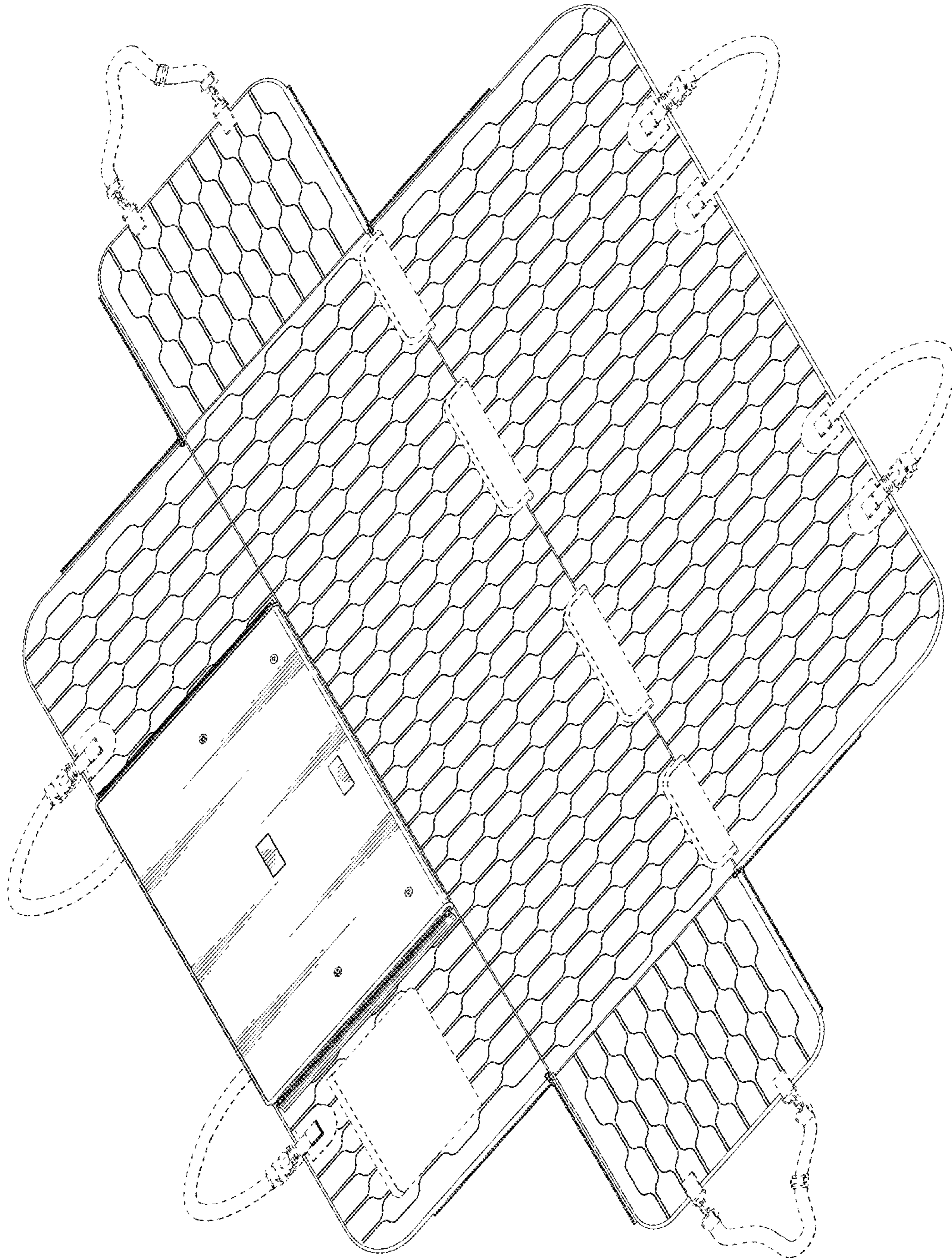


FIG.21

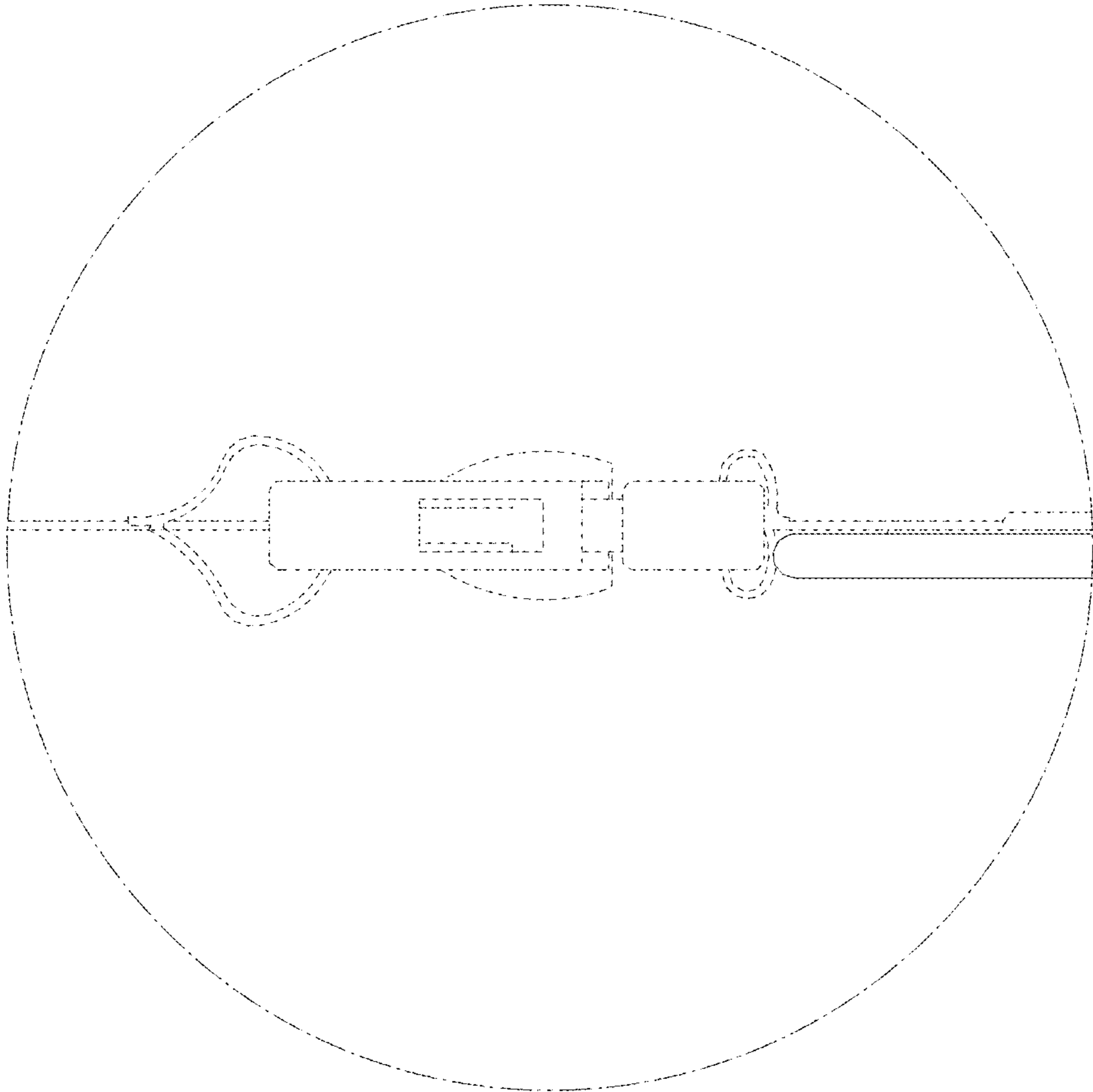


FIG.22