



US00D972337S

(12) **United States Design Patent** (10) **Patent No.:** **US D972,337 S**
Regan (45) **Date of Patent:** **** Dec. 13, 2022**

(54) **REMOVABLE CHAIR PAD**

- (71) Applicant: **John G. Regan**, Lake Lure, NC (US)
- (72) Inventor: **John G. Regan**, Lake Lure, NC (US)
- (**) Term: **15 Years**
- (21) Appl. No.: **29/740,777**
- (22) Filed: **Jul. 7, 2020**
- (51) **LOC (13) Cl.** **06-13**
- (52) **U.S. Cl.**
USPC **D6/611**
- (58) **Field of Classification Search**
USPC D6/610-612; D7/402; D12/221
CPC A47C 31/10; A47C 31/11; A47C 7/386;
A47J 37/0786; B60N 2/60; B60N 2/6018;
A47K 1/06
See application file for complete search history.

(56) **References Cited**

U.S. PATENT DOCUMENTS

D264,401 S *	5/1982	Trotman	B60N 2/28 D6/611
5,075,897 A *	12/1991	Daniels	A41B 13/10 2/48
5,403,066 A *	4/1995	Drum	B60N 2/6054 297/219.1
D506,345 S *	6/2005	Bailey	D6/611
D660,070 S *	5/2012	Lugo	D6/611
D663,153 S *	7/2012	Kenkelen	D6/611
D707,063 S *	6/2014	Daley	D6/611
D728,973 S *	5/2015	Daley	B60N 2/6054 D6/611
D735,496 S *	8/2015	Mihaly	D6/611
D817,034 S *	5/2018	Pittman	D6/611
D874,188 S *	2/2020	Anchors, Jr.	D6/611
D882,299 S *	4/2020	Benezri	D6/611
D900,507 S *	11/2020	Tsai	D6/611
2003/0205921 A1 *	11/2003	McConnell	B60N 2/28 297/256.16
2005/0140192 A1 *	6/2005	Hanks	B60N 2/6018 297/219.1

(Continued)

OTHER PUBLICATIONS

Exemplary picture of a chair that was on-sale and in public use before the filing of U.S. Appl. No. 29/740,777, filed Jul. 7, 2020. The chair shown in the exemplary picture is offered for sale and sold by Torrains Manufacturing Co. of Jefferson Texas, under the name Bellaire Metal Lawn Chair, and is representative of chair designs on sale and in public use prior to Jul. 7, 2020.

Primary Examiner — Kevin K Rudzinski

Assistant Examiner — Clare Ann Gannon

(74) *Attorney, Agent, or Firm* — Gardner, Linn, Burkhardt & Ondersma LLP

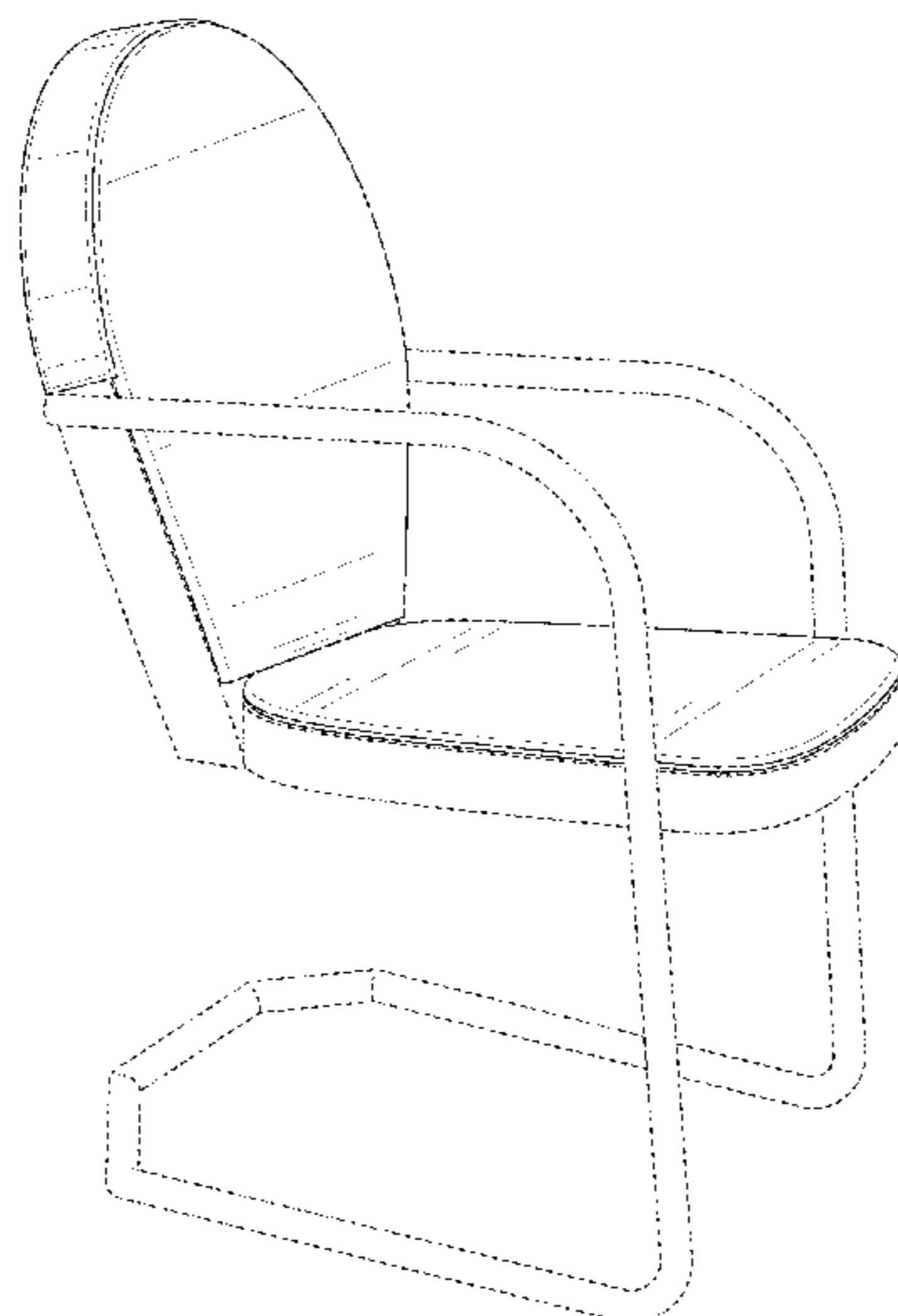
(57) **CLAIM**

The ornamental design for a removable chair pad, as shown and described.

DESCRIPTION

FIG. 1 is a top-right perspective view of a removable chair pad showing my new design, in a use condition; FIG. 2 is a front elevation thereof; FIG. 3 is a left side elevation thereof; FIG. 4 is a right side elevation thereof; FIG. 5 is a back elevation thereof; FIG. 6 is a top plan view thereof; FIG. 7 is a top plan view thereof, in a removed condition; FIG. 8 is a bottom plan view thereof, in a removed condition; FIG. 9 is a left side elevation thereof, in a removed condition, the right side comprising of a mirror image thereof; and, FIG. 10 is an end elevation thereof, in a removed condition. The broken lines in the drawings depict environmental structure that form no part of the claimed design.

1 Claim, 9 Drawing Sheets



(56)

References Cited

U.S. PATENT DOCUMENTS

2008/0281701 A1* 11/2008 Scheiner G09F 23/00
297/229
2017/0028288 A1* 2/2017 Akers A47C 31/116
2019/0263301 A1* 8/2019 Anchors B60N 2/6036

* cited by examiner

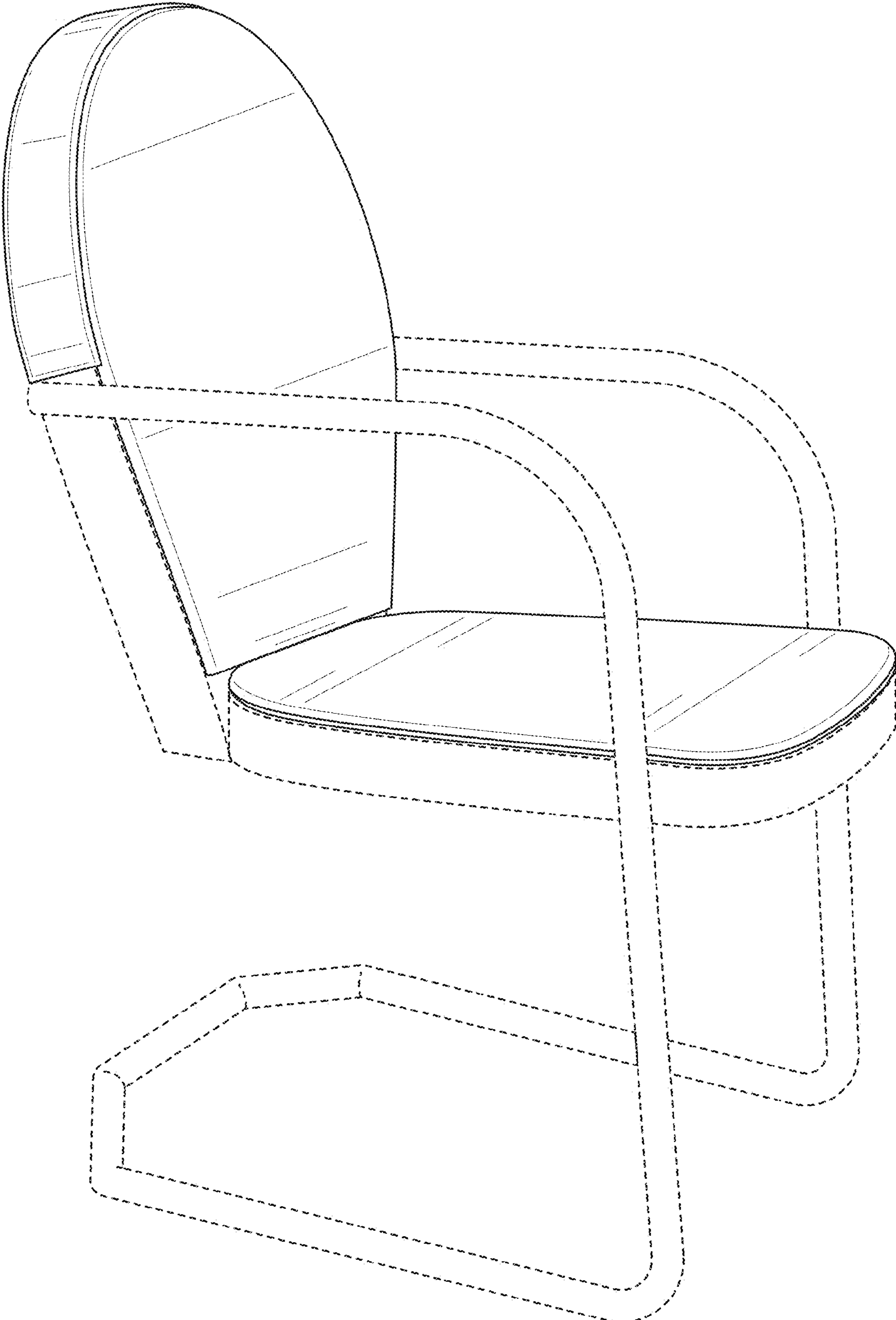


FIG. 1

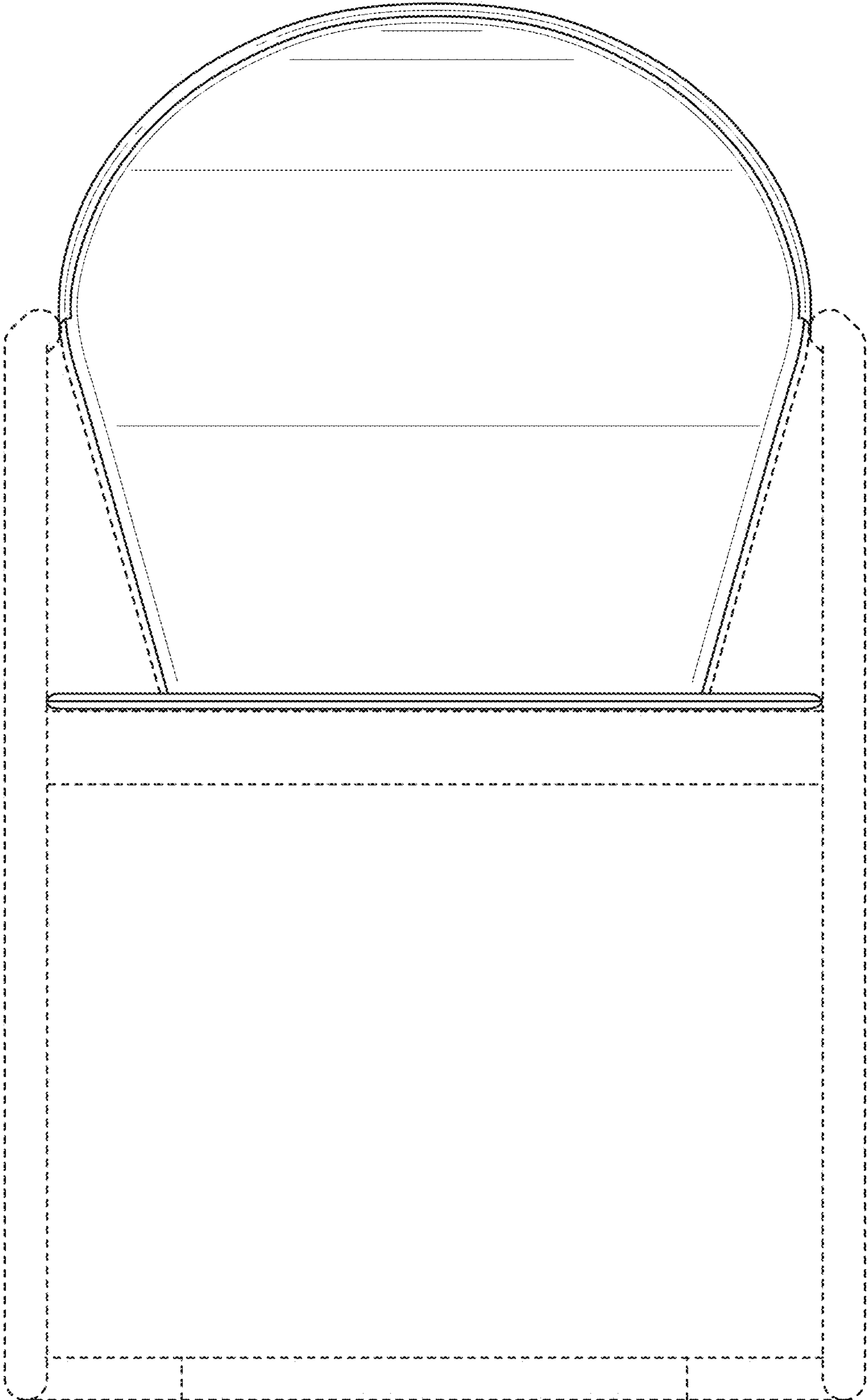


FIG. 2

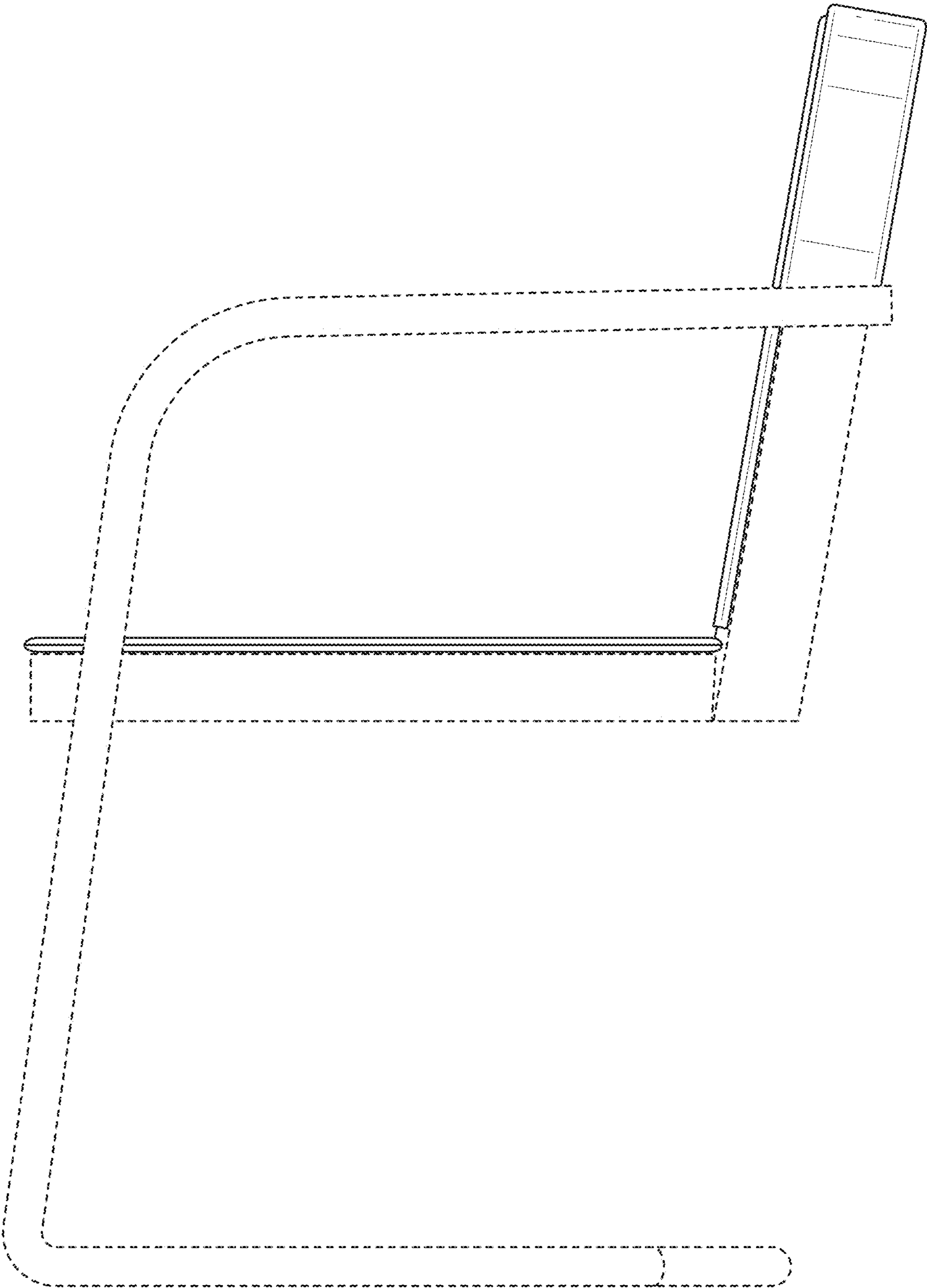


FIG. 3

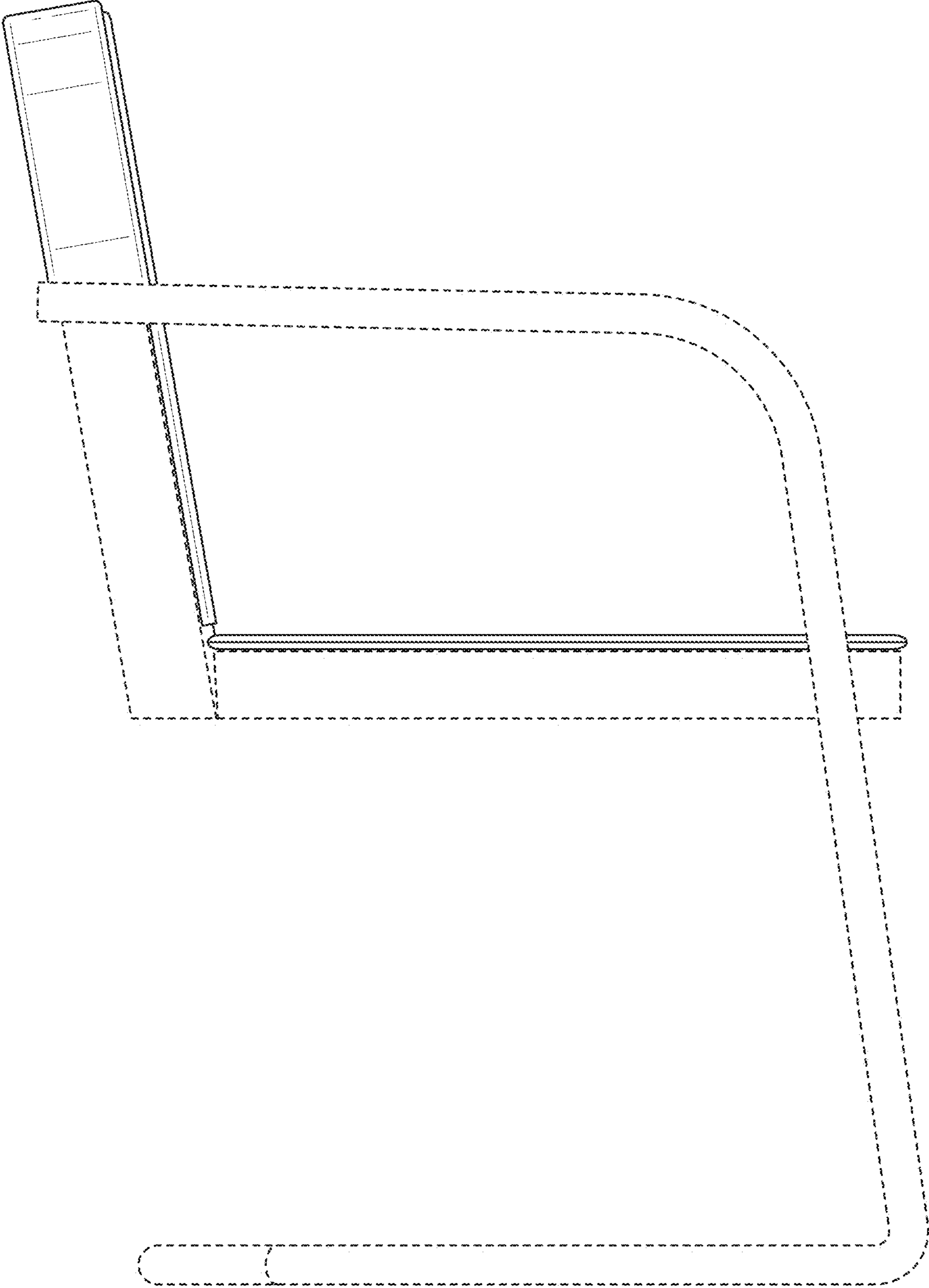


FIG. 4

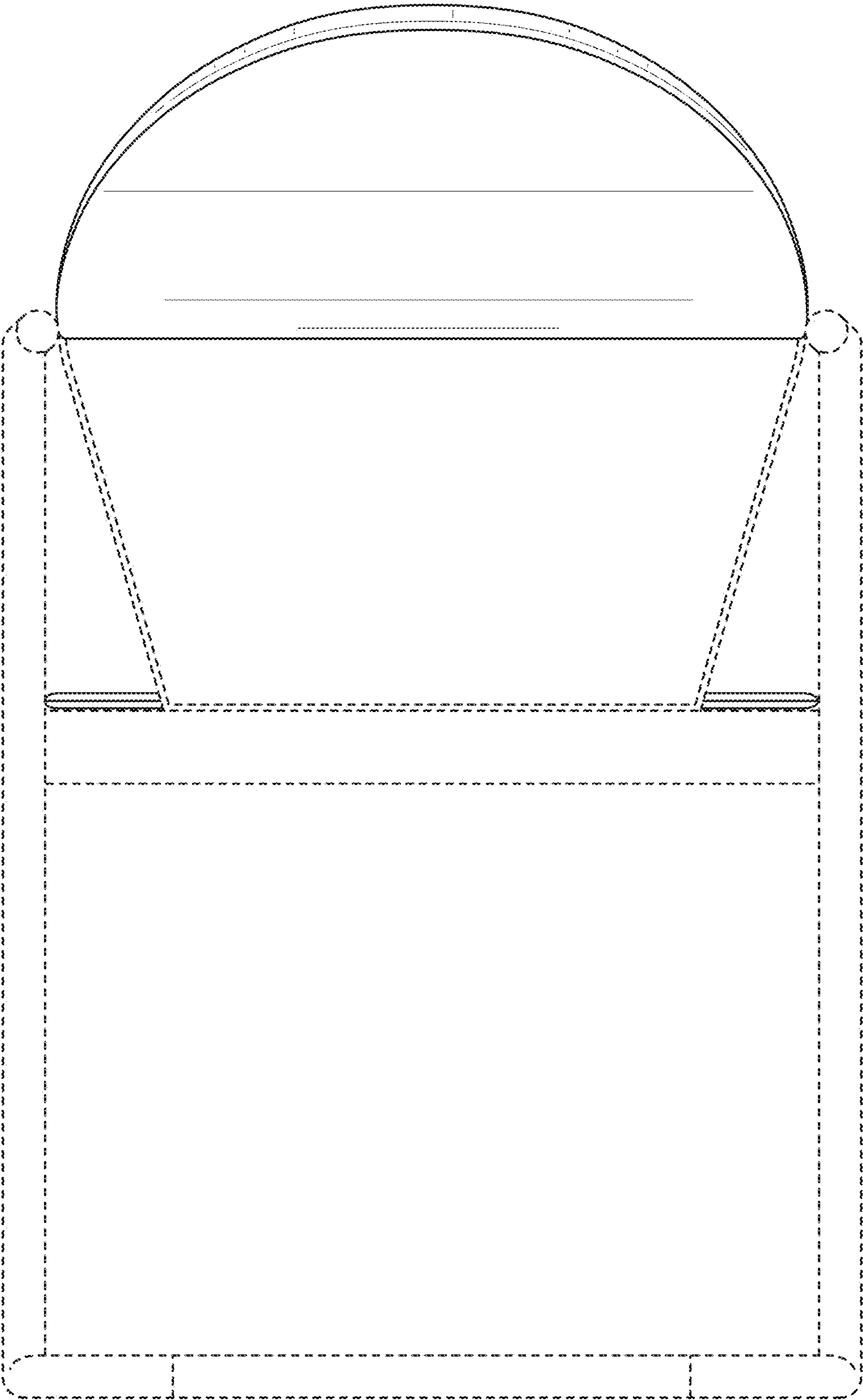


FIG. 5

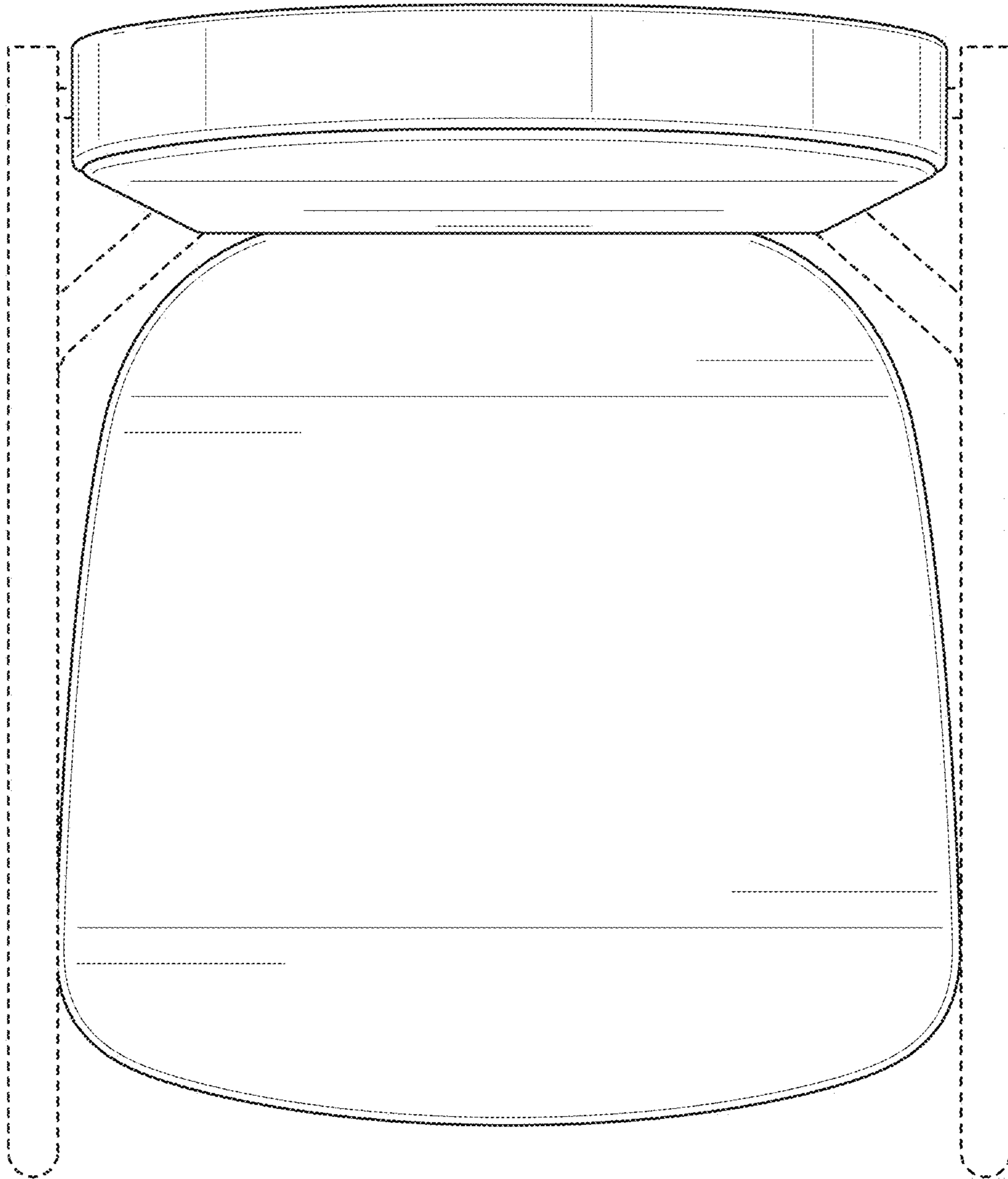


FIG. 6

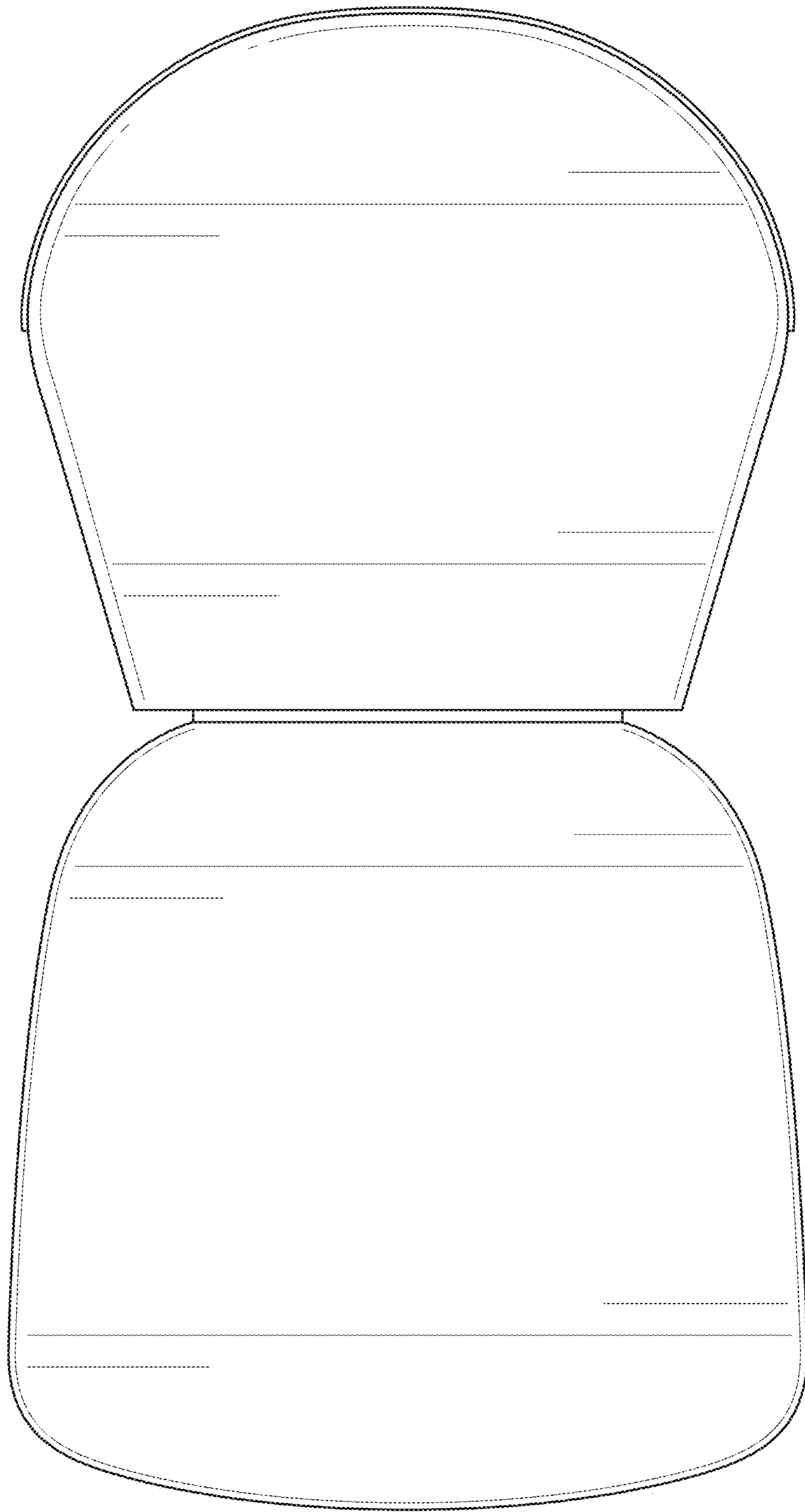


FIG. 7

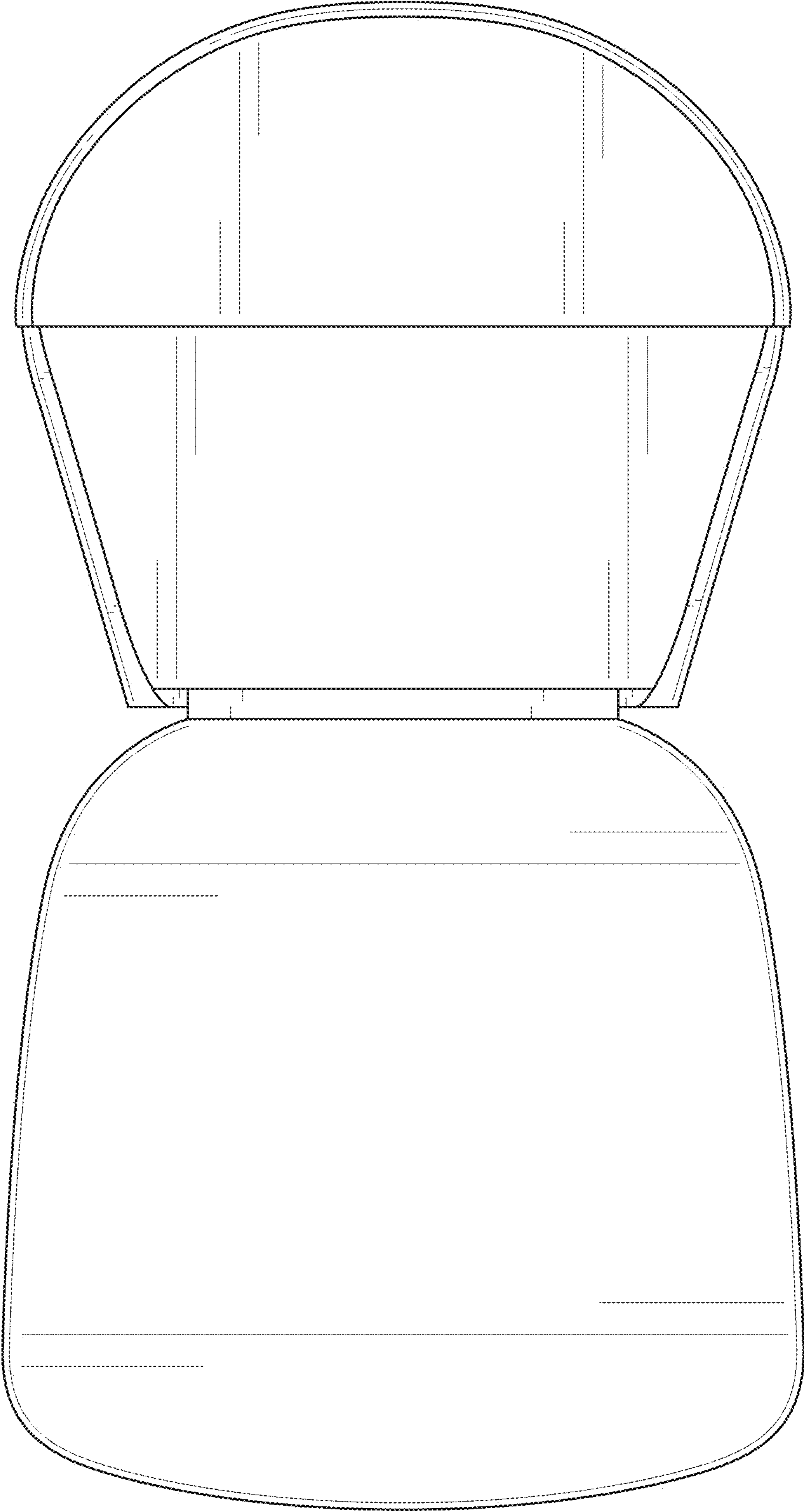


FIG. 8

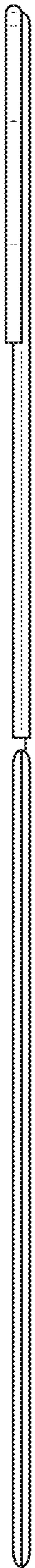


FIG. 9

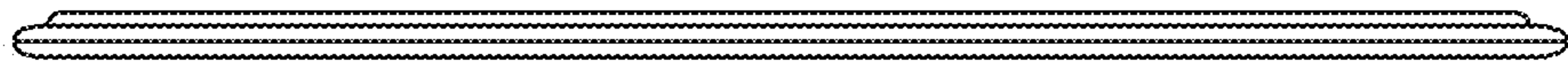


FIG. 10