



US00D972336S

(12) **United States Design Patent**
Grant et al.

(10) **Patent No.:** **US D972,336 S**

(45) **Date of Patent:** **** Dec. 13, 2022**

(54) **INFANT FEEDING POSITIONING CUSHION**

(71) Applicant: **Oregon Health & Science University,**
Portland, OR (US)

(72) Inventors: **Jessica L. Grant,** Portland, OR (US);
David Sheridan, Beaverton, UT (US);
Samantha Swartz, Portland, OR (US);
Greg Hinzmann, Portland, OR (US)

(73) Assignee: **Oregon Health & Science University,**
Portland, OR (US)

(**) Term: **15 Years**

(21) Appl. No.: **29/773,051**

(22) Filed: **Mar. 5, 2021**

(51) **LOC (13) Cl.** **06-13**

(52) **U.S. Cl.**
USPC **D6/601**

(58) **Field of Classification Search**
USPC D6/333, 335, 391, 392, 389, 604, 605,
D6/601, 595, 596, 715.2, 718.23;
D12/401-403; D21/803, 809; D24/183
CPC A47D 5/00; A47D 5/006; A47D 7/002;
A47D 15/003; A47D 15/008; A47D
15/006; A47D 15/001; A47D 13/00;
A47D 13/02; A47D 13/029; A47D 13/08;
A47D 13/083; A47C 27/00

See application file for complete search history.

(56) **References Cited**

U.S. PATENT DOCUMENTS

- 2,876,459 A * 3/1959 Ackerson A47K 3/127
4/659
- D334,318 S * 3/1993 Chee D6/601
- D707,358 S * 6/2014 Mantilla D6/601
- D732,312 S * 6/2015 Tiffin D6/601

- D800,480 S * 10/2017 Paperno A47D 15/005
D6/596
- D838,122 S * 1/2019 Faniku D6/596
- D870,224 S * 12/2019 Arias A47C 15/006
D21/803
- 10,905,255 B1 * 2/2021 Miale B60N 2/914
- D913,012 S * 3/2021 Krishtul D6/601
- 10,945,536 B1 * 3/2021 Alexander A47D 15/008
- D950,274 S * 5/2022 Breen D6/601
- 2009/0007336 A1 * 1/2009 Kassai A47G 9/1081
5/655
- 2011/0296619 A1 * 12/2011 York A47D 5/00
5/655
- 2013/0038104 A1 * 2/2013 Burns A47D 13/10
297/391
- 2018/0055246 A1 * 3/2018 Paperno A47D 15/005
- 2020/0138203 A1 * 5/2020 Breen A47D 15/008
- 2020/0214471 A1 * 7/2020 Paperno A47D 15/008

* cited by examiner

Primary Examiner — Mary Ann Calabrese

Assistant Examiner — Mark David Wolfley

(74) *Attorney, Agent, or Firm* — Stoel Rives LLP

(57) **CLAIM**

The ornamental design for an infant feeding positioning cushion, as shown and described.

DESCRIPTION

FIG. 1 is a front trimetric view of an infant feeding positioning cushion according to our new design.

FIG. 2 is a rear trimetric view thereof.

FIG. 3 is a top plan view thereof.

FIG. 4 is a bottom plan view thereof.

FIG. 5 is a front elevation view thereof.

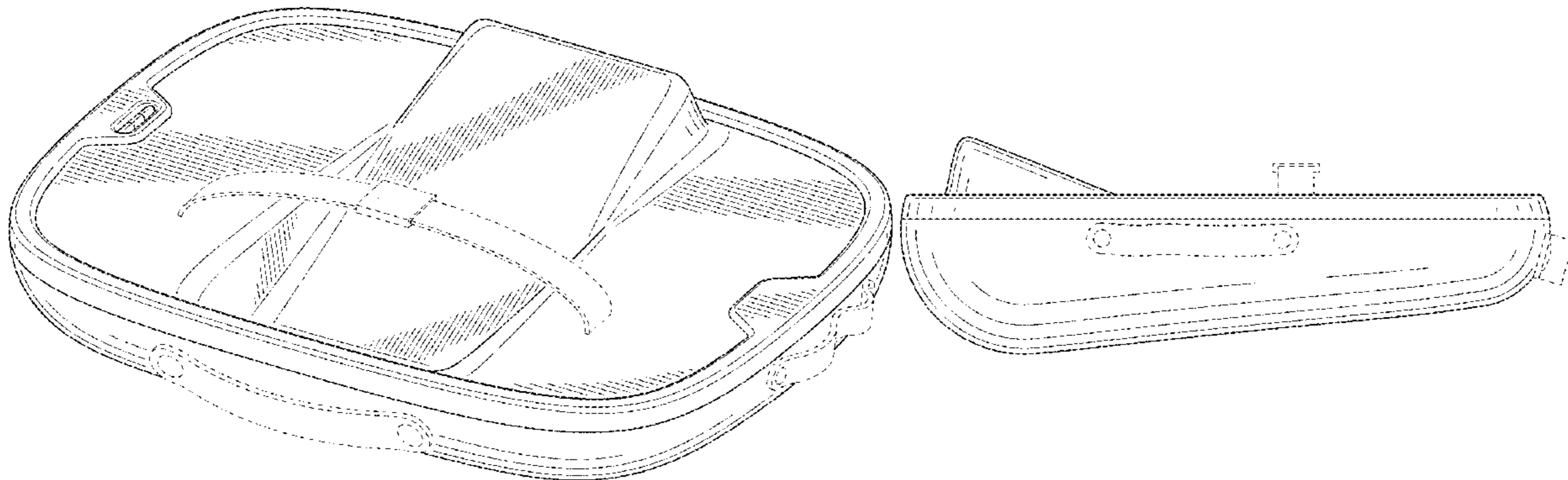
FIG. 6 is a rear elevation view thereof.

FIG. 7 is a left side elevation view thereof; and,

FIG. 8 is a right side elevation view thereof.

The broken lines form no part of the claimed design.

1 Claim, 5 Drawing Sheets



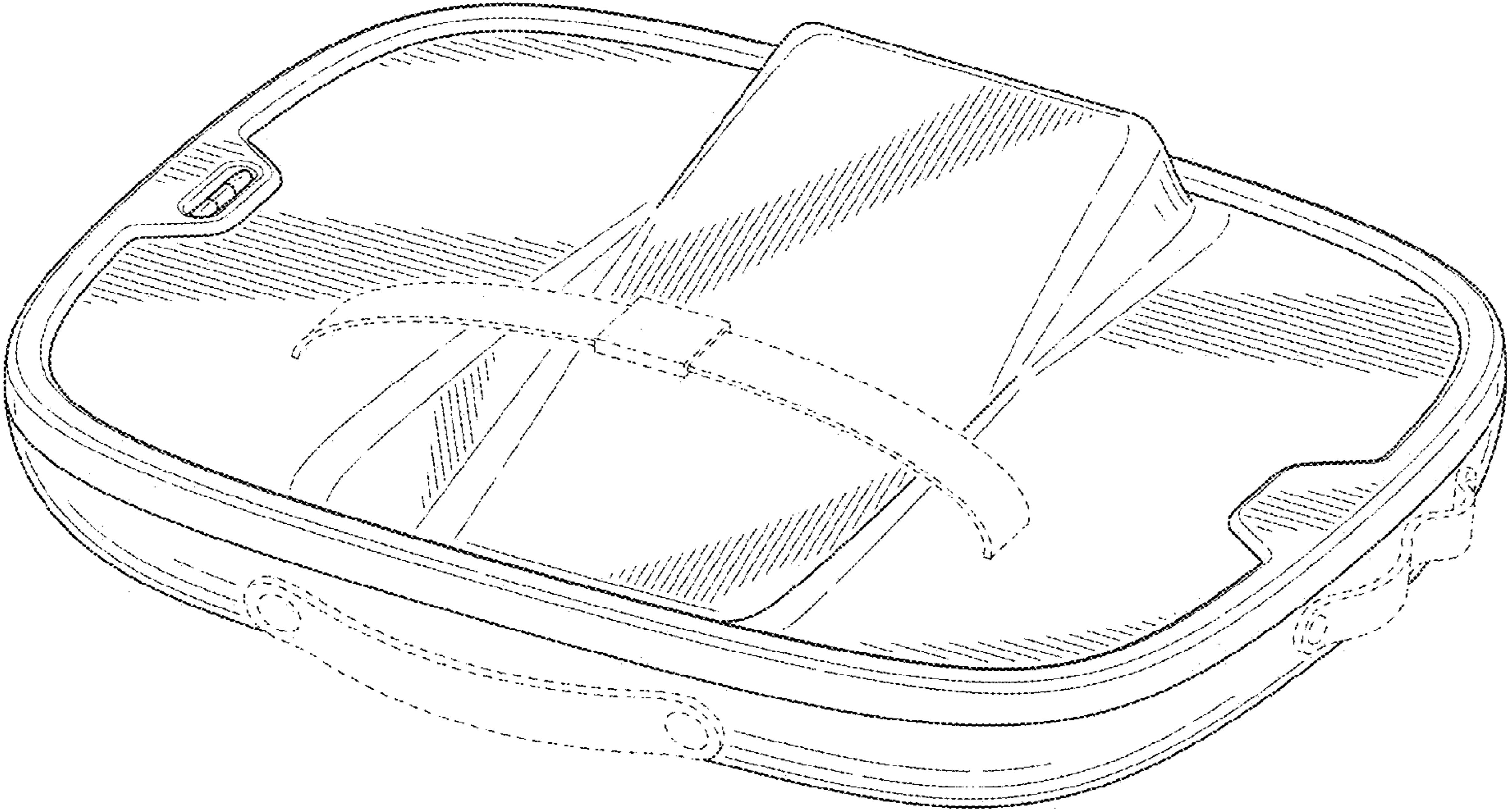


FIG. 1

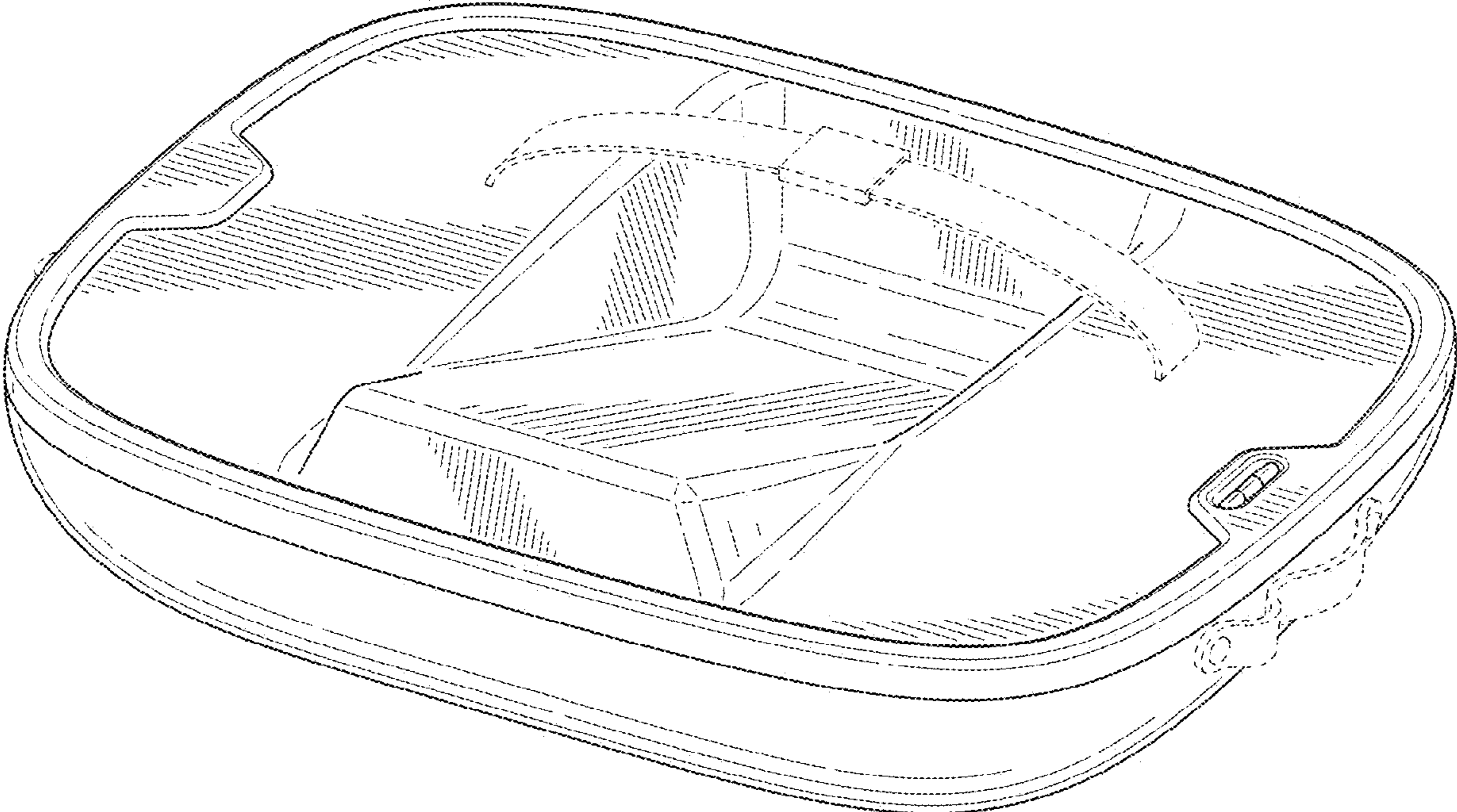


FIG. 2

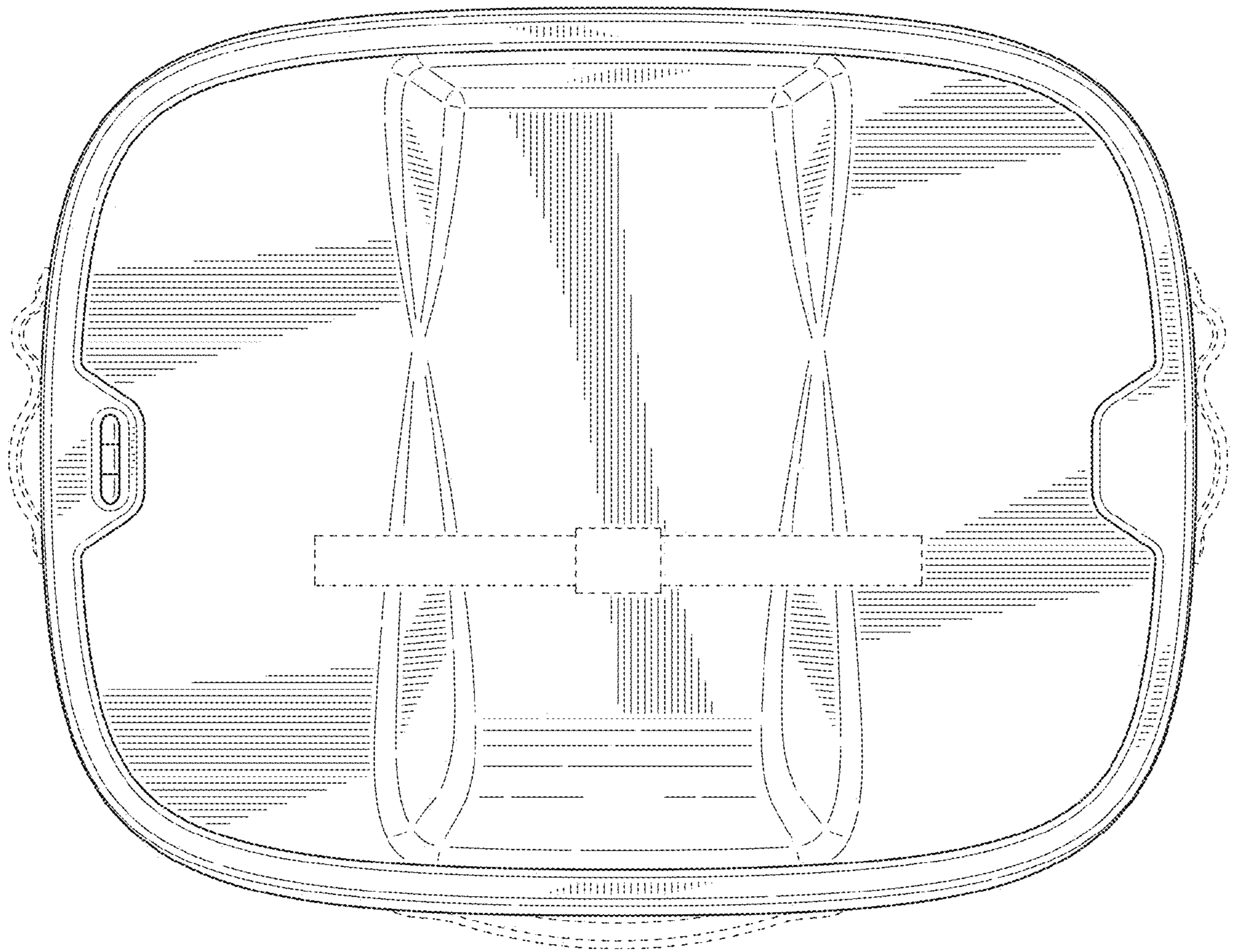


FIG. 3

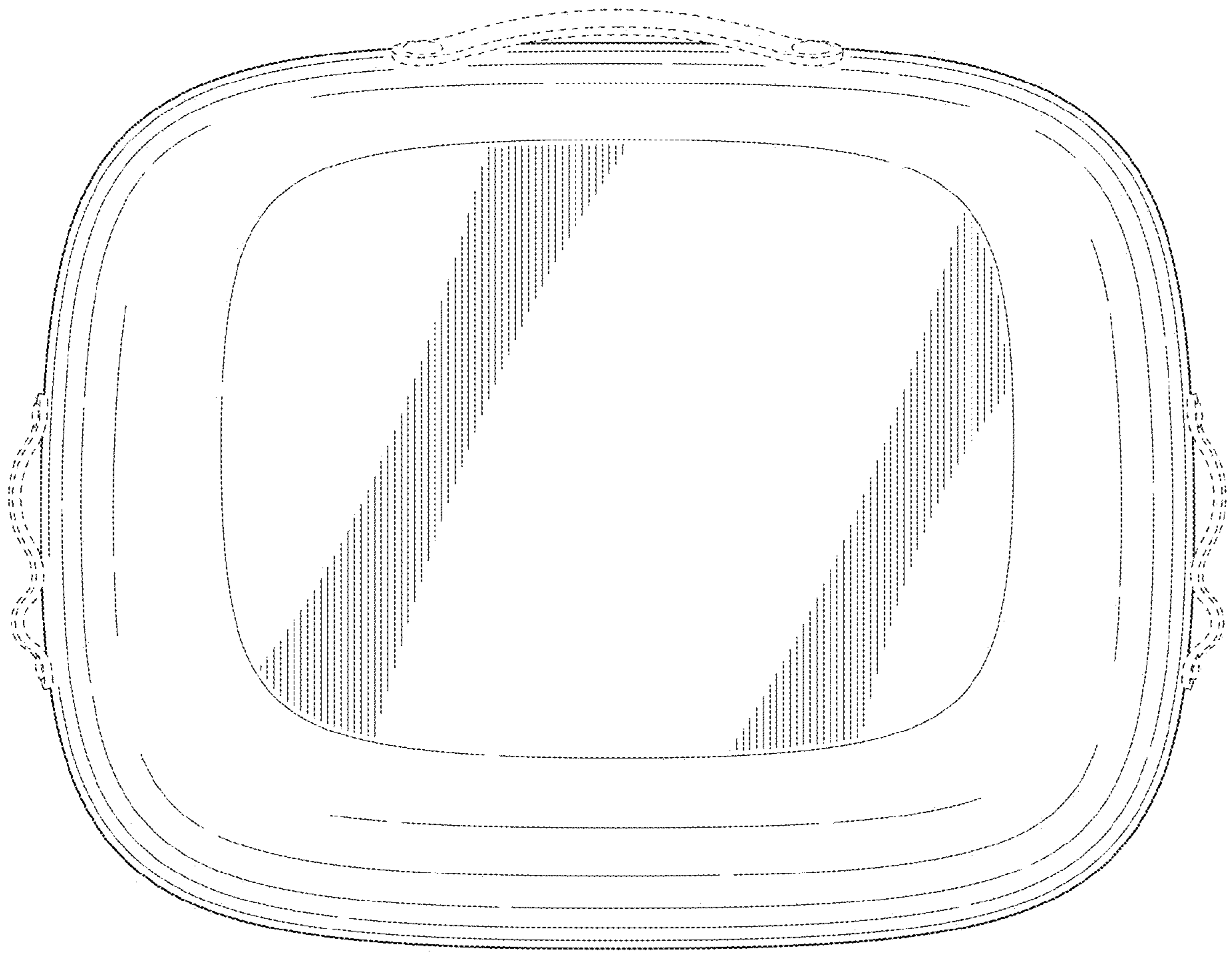


FIG. 4

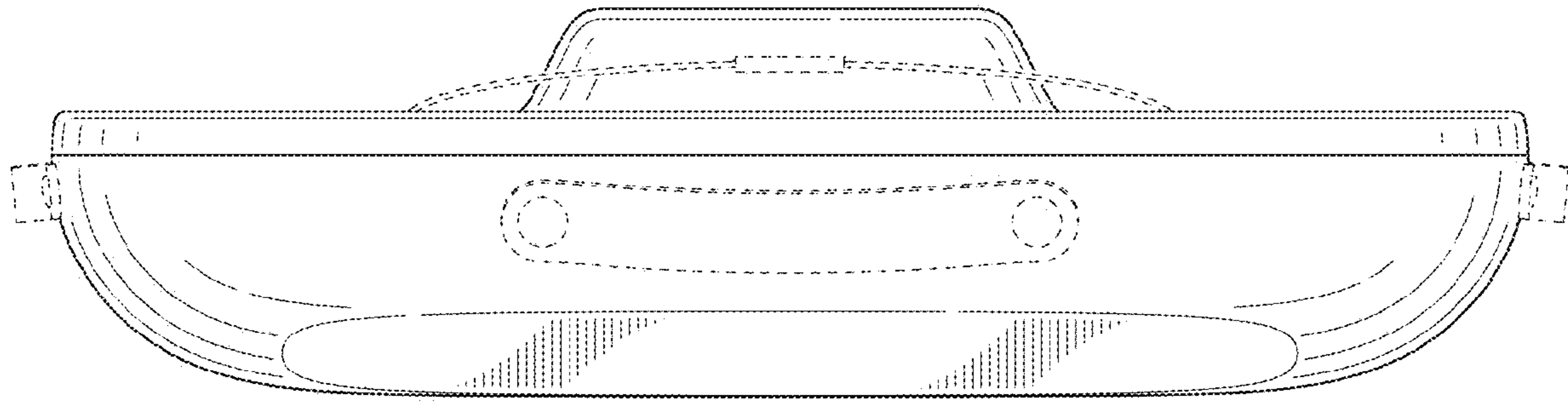


FIG. 5

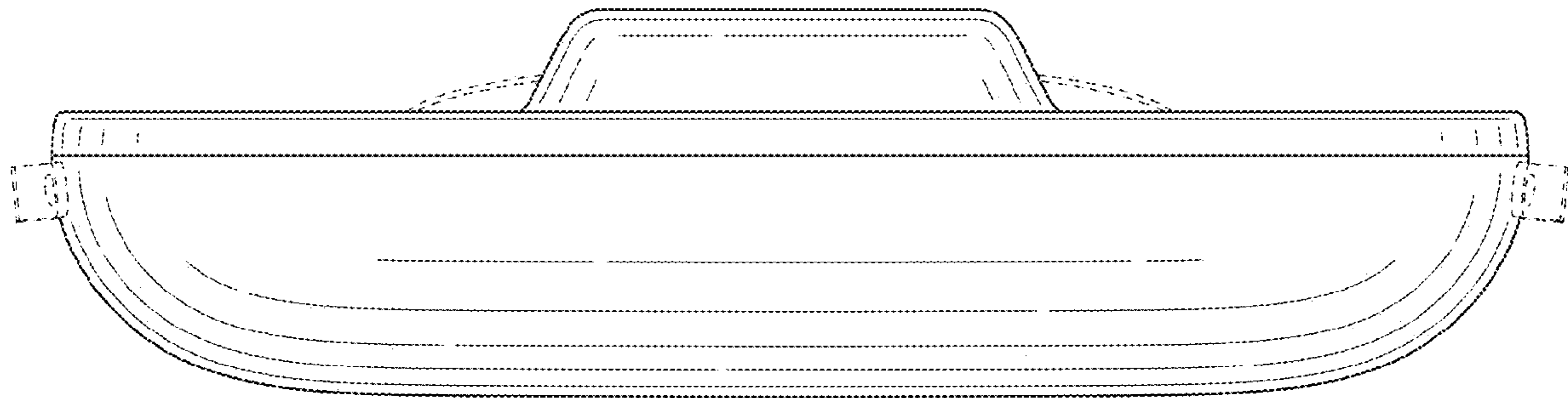


FIG. 6

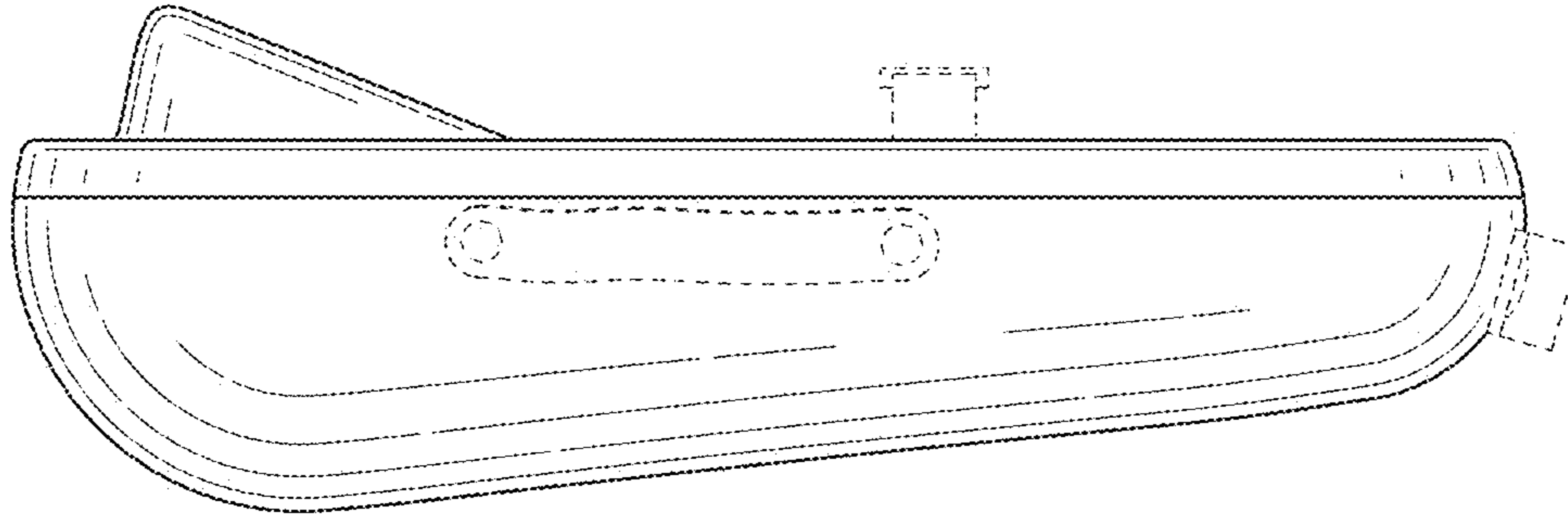


FIG. 7

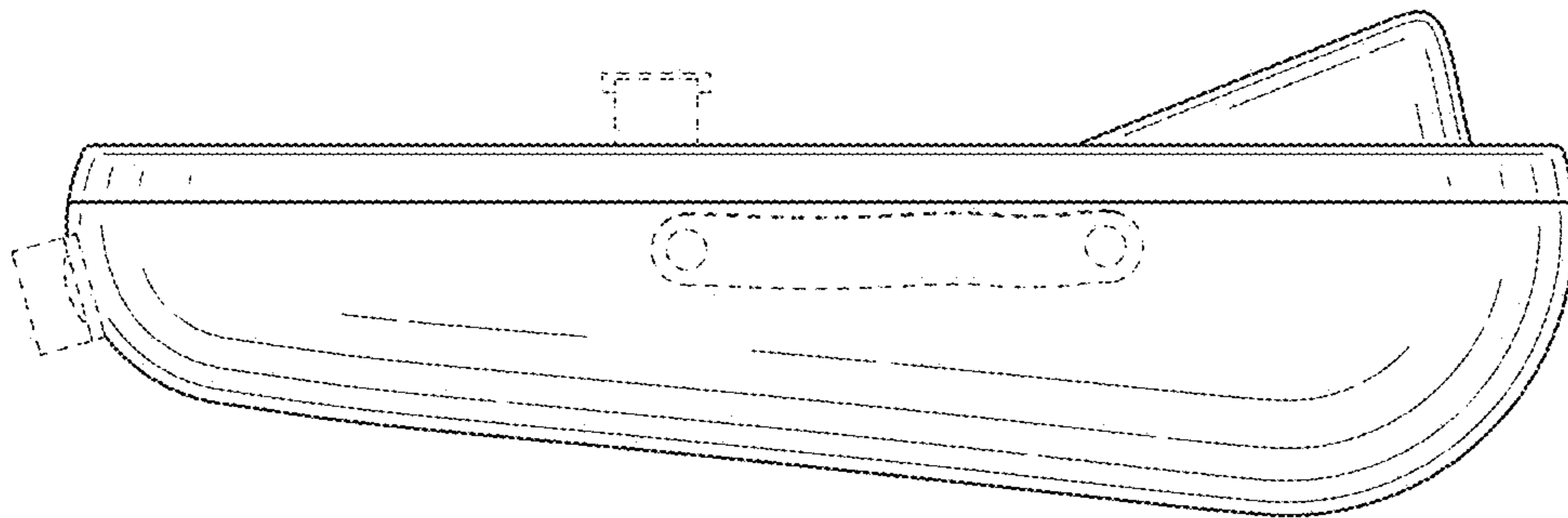


FIG. 8