



US00D972333S

(12) **United States Design Patent** (10) **Patent No.:** **US D972,333 S**  
**Wang** (45) **Date of Patent:** **\*\* Dec. 13, 2022**

(54) **PAPER TOWEL HOLDER**  
(71) Applicant: **Wei-Cheng Wang**, Taipei (TW)  
(72) Inventor: **Wei-Cheng Wang**, Taipei (TW)  
(\*\*) Term: **15 Years**  
(21) Appl. No.: **29/759,980**

D628,836 S \* 12/2010 Guindi ..... D6/521  
D704,473 S \* 5/2014 Hartshorn ..... D6/521  
D713,166 S \* 9/2014 Miller ..... D6/521  
D716,578 S \* 11/2014 Lipper McCauley ..... D6/521  
D778,634 S \* 2/2017 Locker ..... D6/521  
D880,891 S \* 4/2020 Zhou ..... D6/521  
D885,785 S \* 6/2020 Wilson ..... D6/521  
D887,169 S \* 6/2020 Kauffman ..... D6/521  
D935,216 S \* 11/2021 Liang ..... D6/521  
2020/0170459 A1 \* 6/2020 Green ..... B65H 35/002

(22) Filed: **Nov. 27, 2020**  
(51) **LOC (13) Cl.** ..... **23-08**  
(52) **U.S. Cl.**  
USPC ..... **D6/522**  
(58) **Field of Classification Search**  
USPC ..... D6/512, 515, 518, 519, 520, 521, 522,  
D6/523, 546, 547, 549, 550; D7/631;  
D19/89; D8/396, 367, 399; 248/905,  
248/309.1, 309.2, 250; 221/92, 45, 63,  
221/34, 46, 259  
CPC .... A47K 10/38; A47K 10/3836; A47K 10/16;  
A47K 10/18; A47K 10/04; A47K 10/24;  
A47K 10/32; A47K 10/22; A47K  
2010/3253; B65H 2701/1924  
See application file for complete search history.

**FOREIGN PATENT DOCUMENTS**

EM 008312854-0001 \* 12/2020  
JP D1692205 \* 12/2020  
KR 300712197.0000 \* 10/2013

\* cited by examiner

*Primary Examiner* — Marie D. Fast Horse  
*Assistant Examiner* — Jennifer Sierra Yosinski  
(74) *Attorney, Agent, or Firm* — Leong C. Lei

(57) **CLAIM**

The ornamental design for a paper towel holder, as shown and described.

**DESCRIPTION**

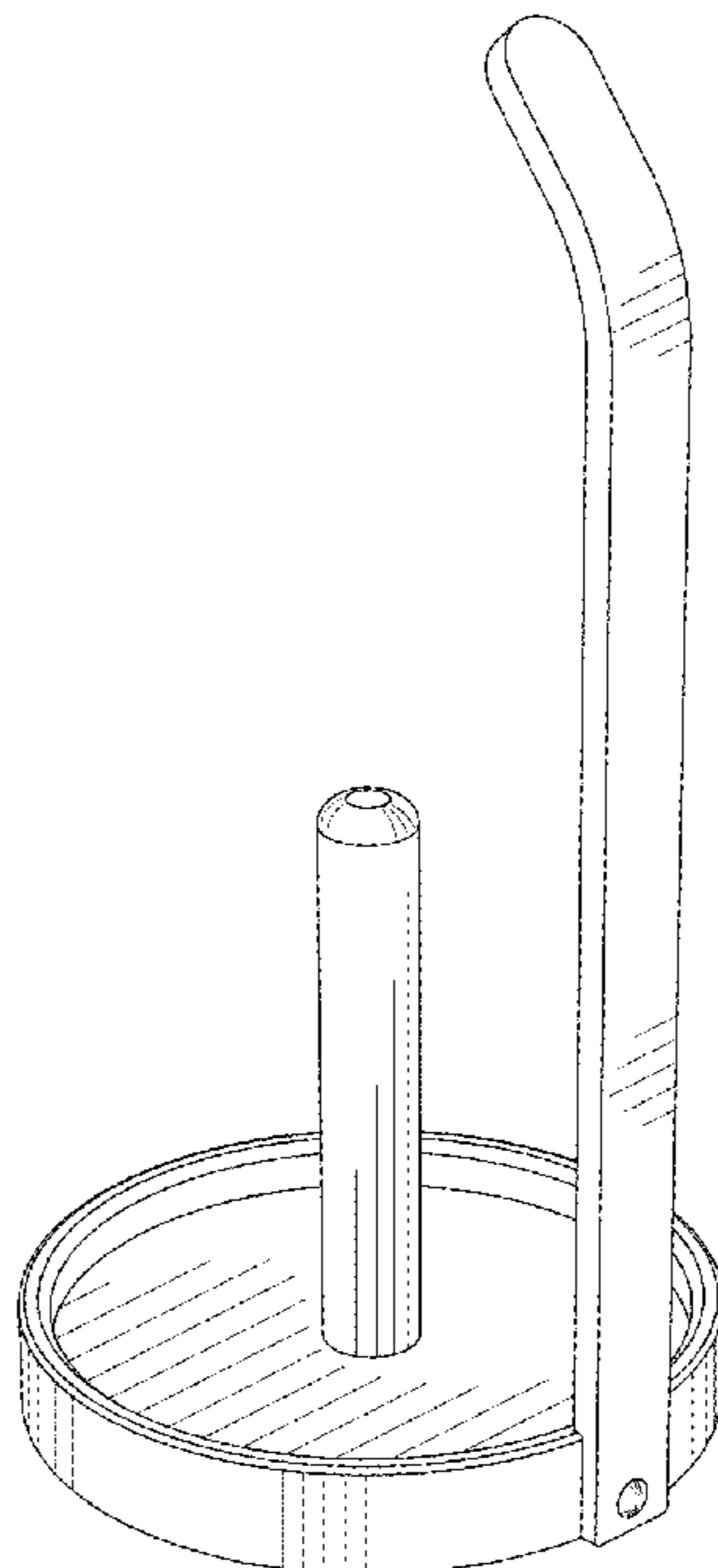
FIG. 1 is a perspective view of a paper towel holder showing my new design;  
FIG. 2 is a front elevational view thereof;  
FIG. 3 is a rear elevational view thereof;  
FIG. 4 is a left side elevational view thereof;  
FIG. 5 is a right side elevational view thereof;  
FIG. 6 is a top plan view thereof; and,  
FIG. 7 is a bottom plan view thereof.  
The broken lines in FIG. 7 depict portions of the paper towel holder that form no part of the claimed design.

(56) **References Cited**

**U.S. PATENT DOCUMENTS**

D298,597 S \* 11/1988 Bell ..... D6/521  
D419,013 S \* 1/2000 Tisdale ..... D6/522  
D432,828 S \* 10/2000 Snell ..... D6/522  
6,302,348 B1 \* 10/2001 Lillelund ..... A47K 10/3836  
D6/521  
D452,398 S \* 12/2001 Hollinger ..... D6/522  
D474,633 S \* 5/2003 Ancona ..... D6/521  
D519,765 S \* 5/2006 Sellers ..... D6/521  
D520,278 S \* 5/2006 Mariano ..... D6/521  
D626,771 S \* 11/2010 Shek ..... D6/521

**1 Claim, 6 Drawing Sheets**



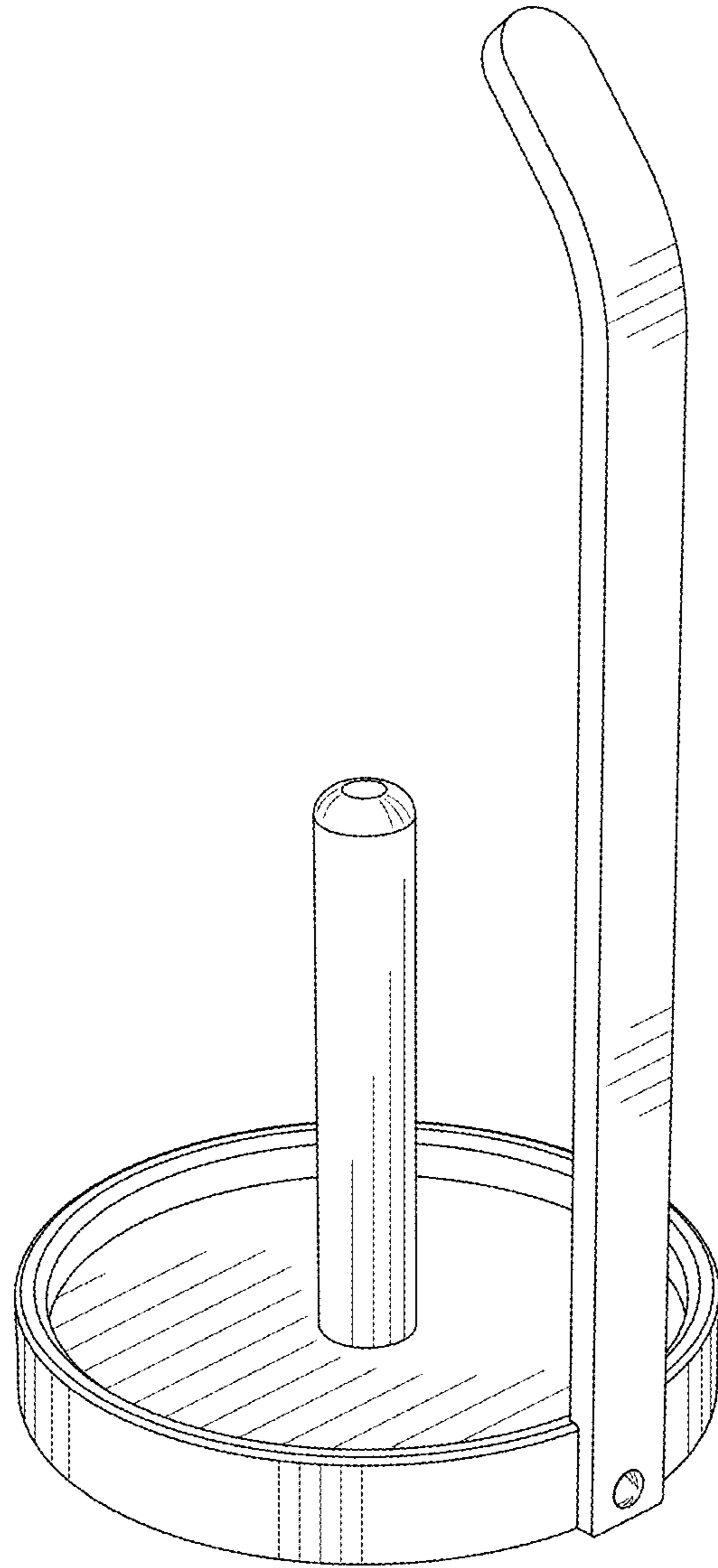


FIG. 1

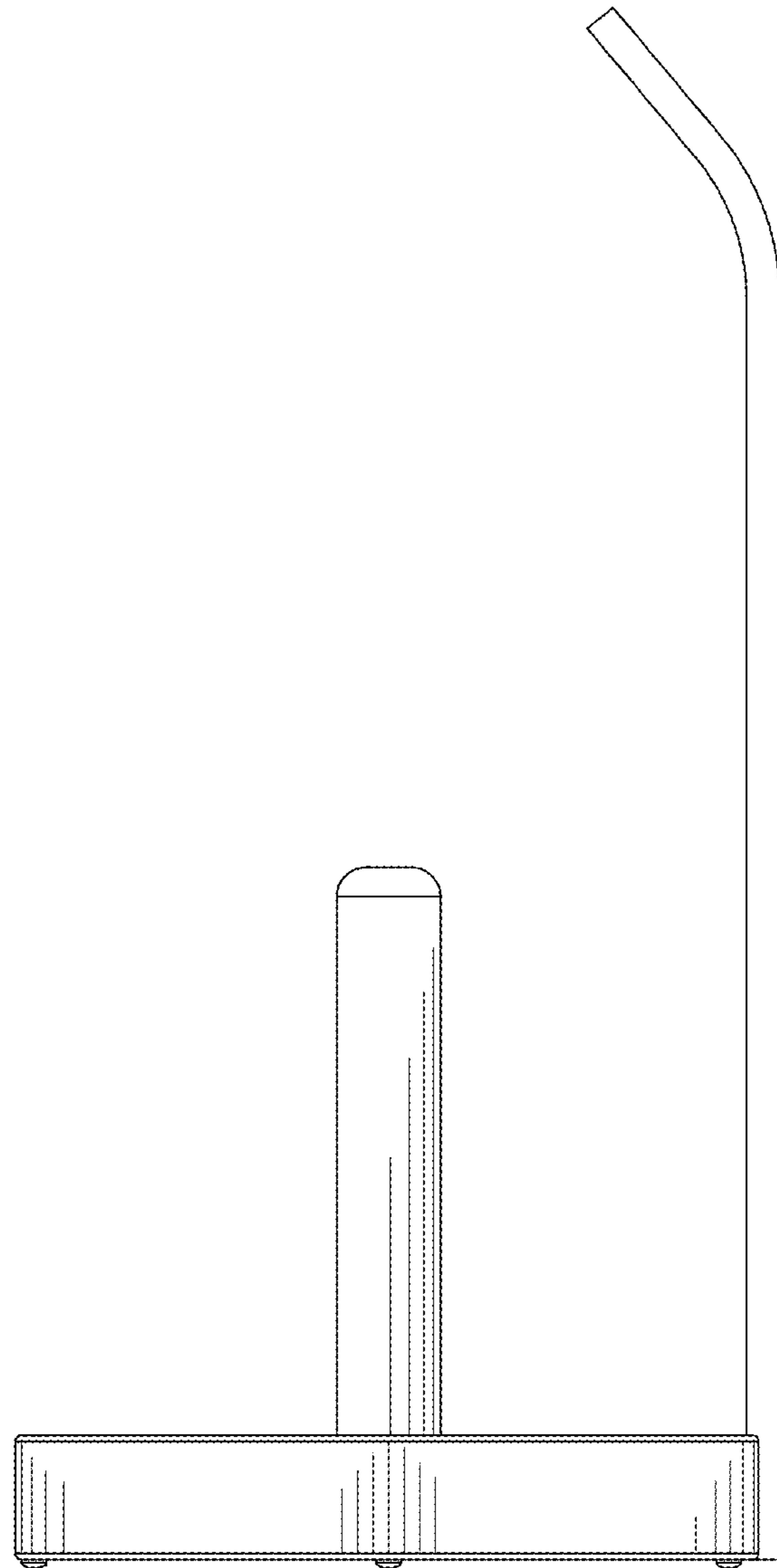


FIG. 2

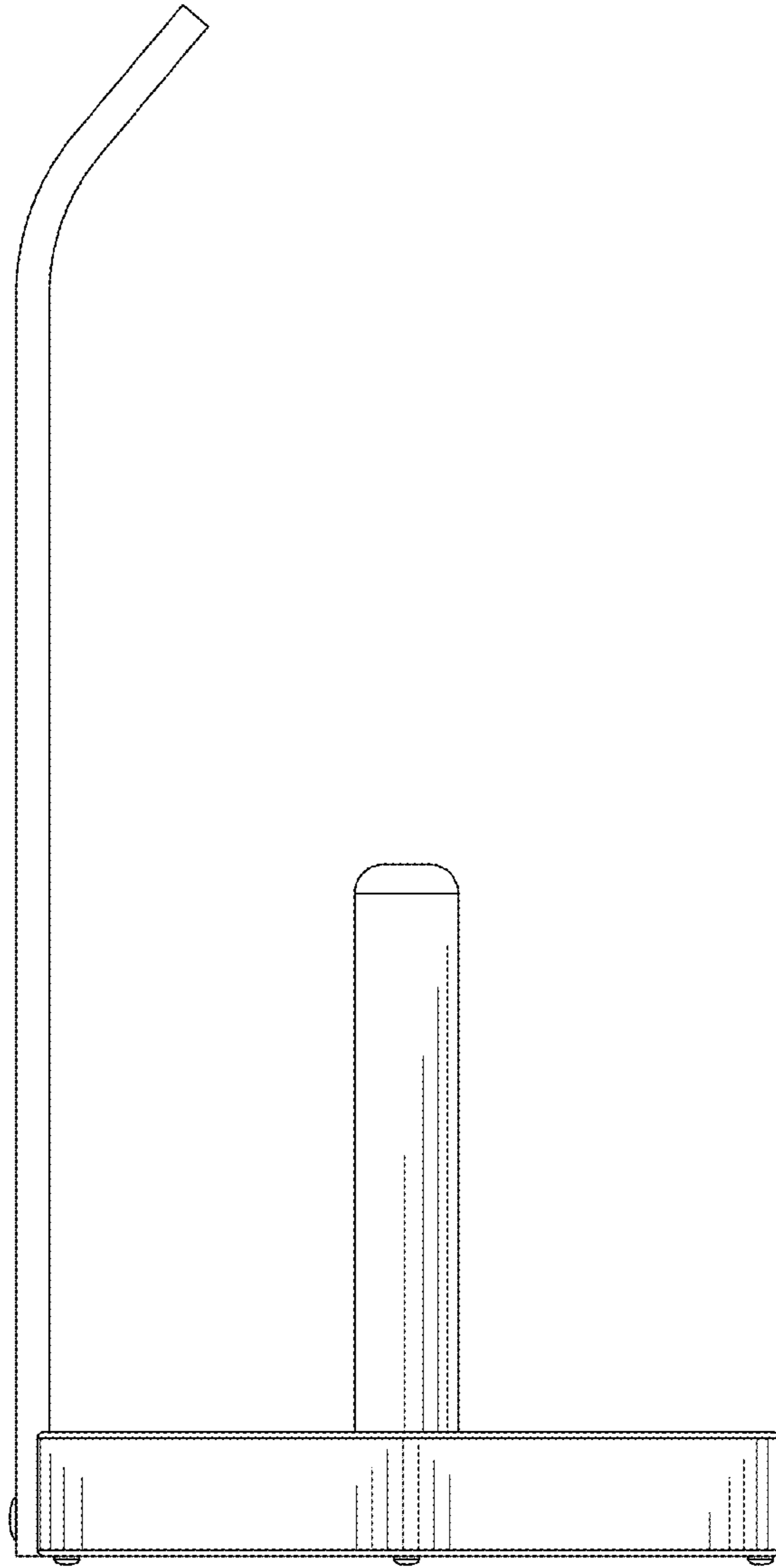


FIG. 3

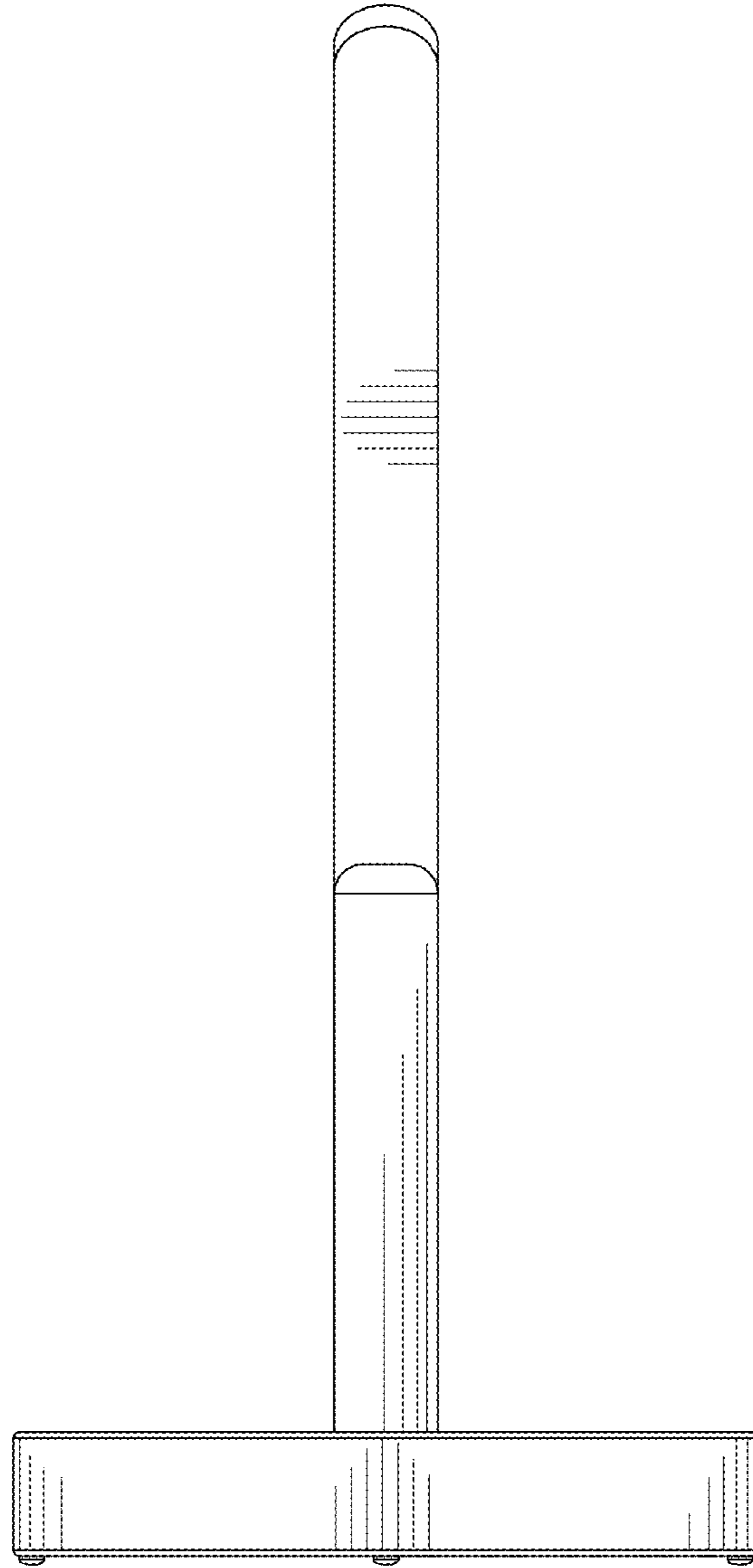


FIG. 4

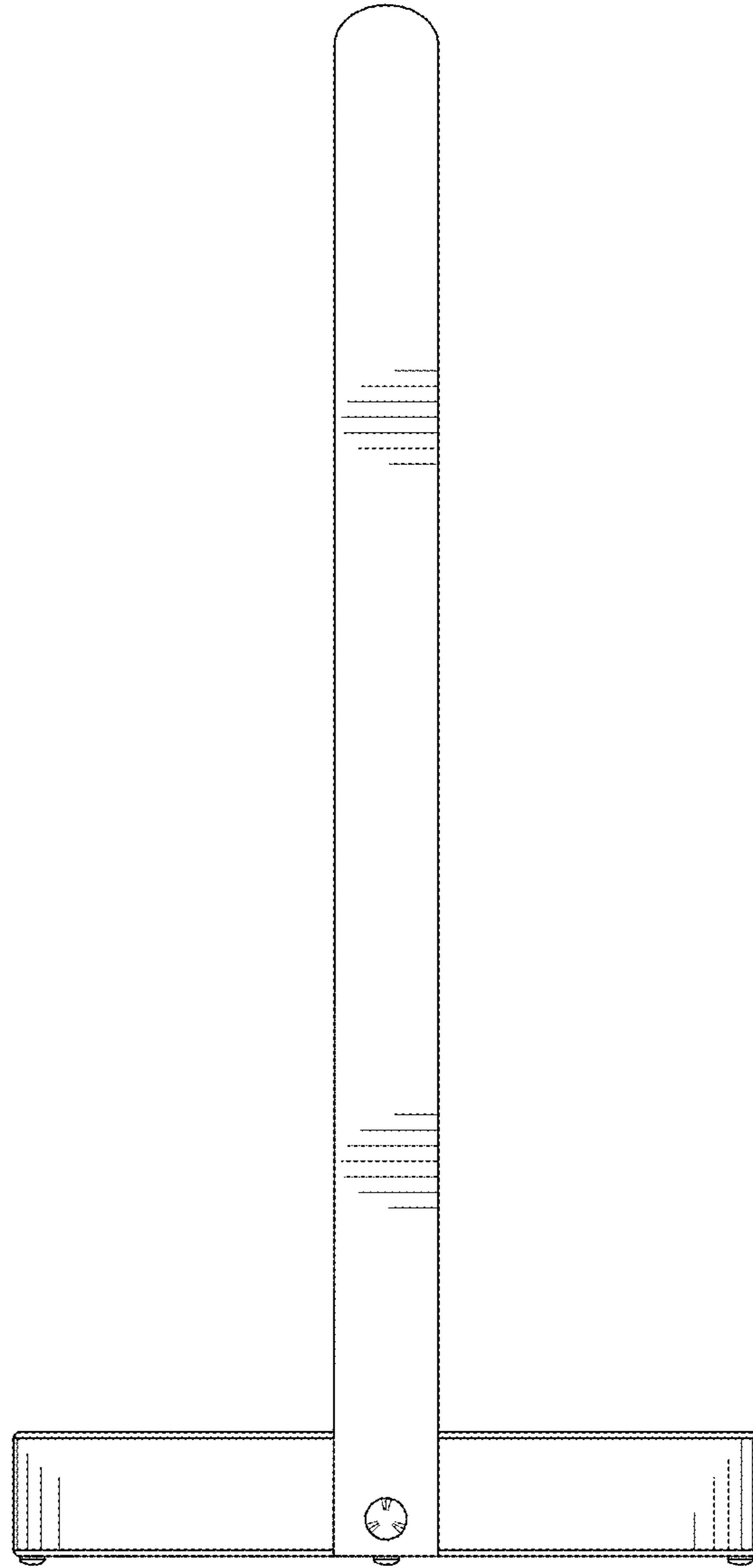


FIG. 5

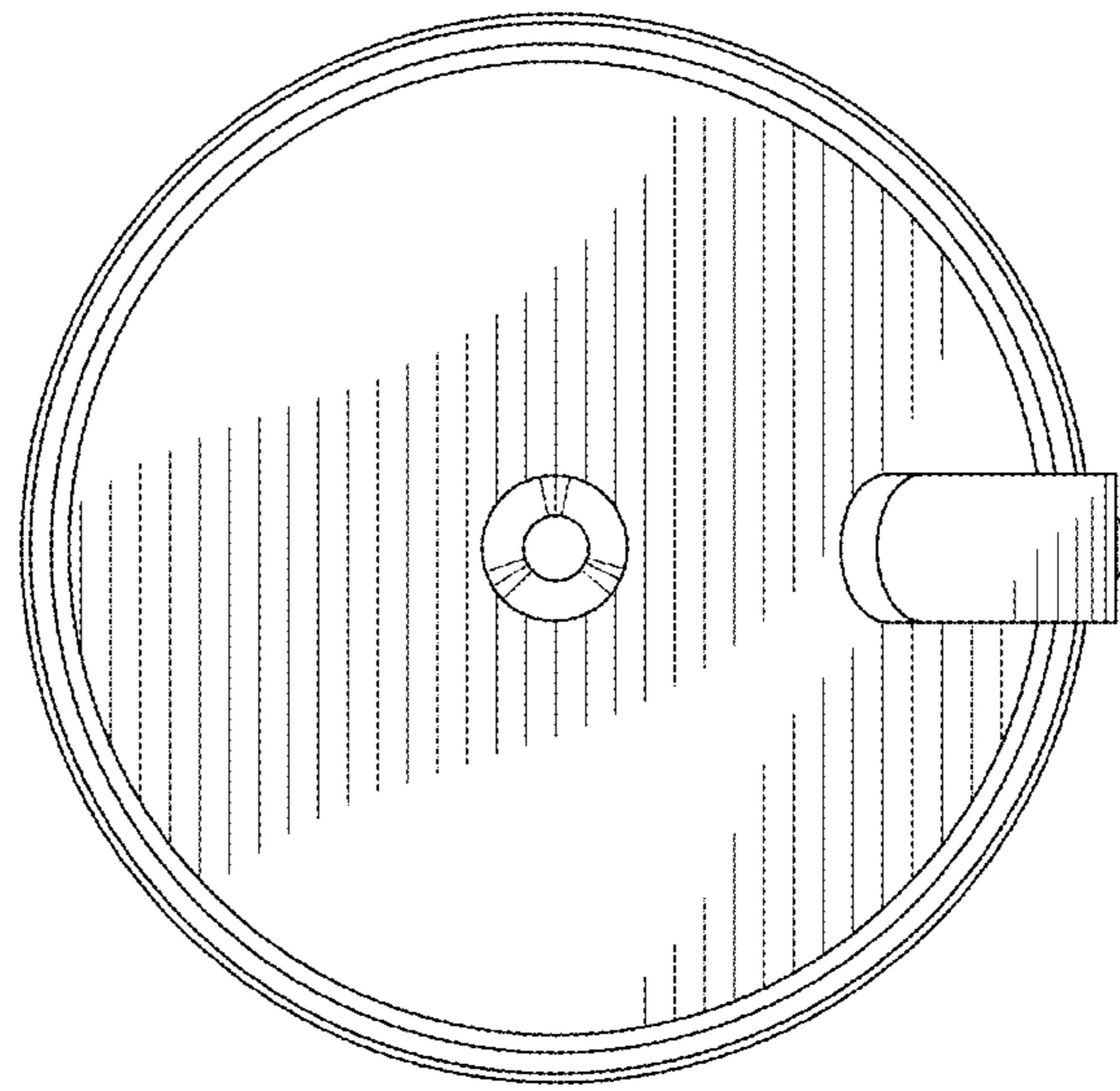


FIG. 6

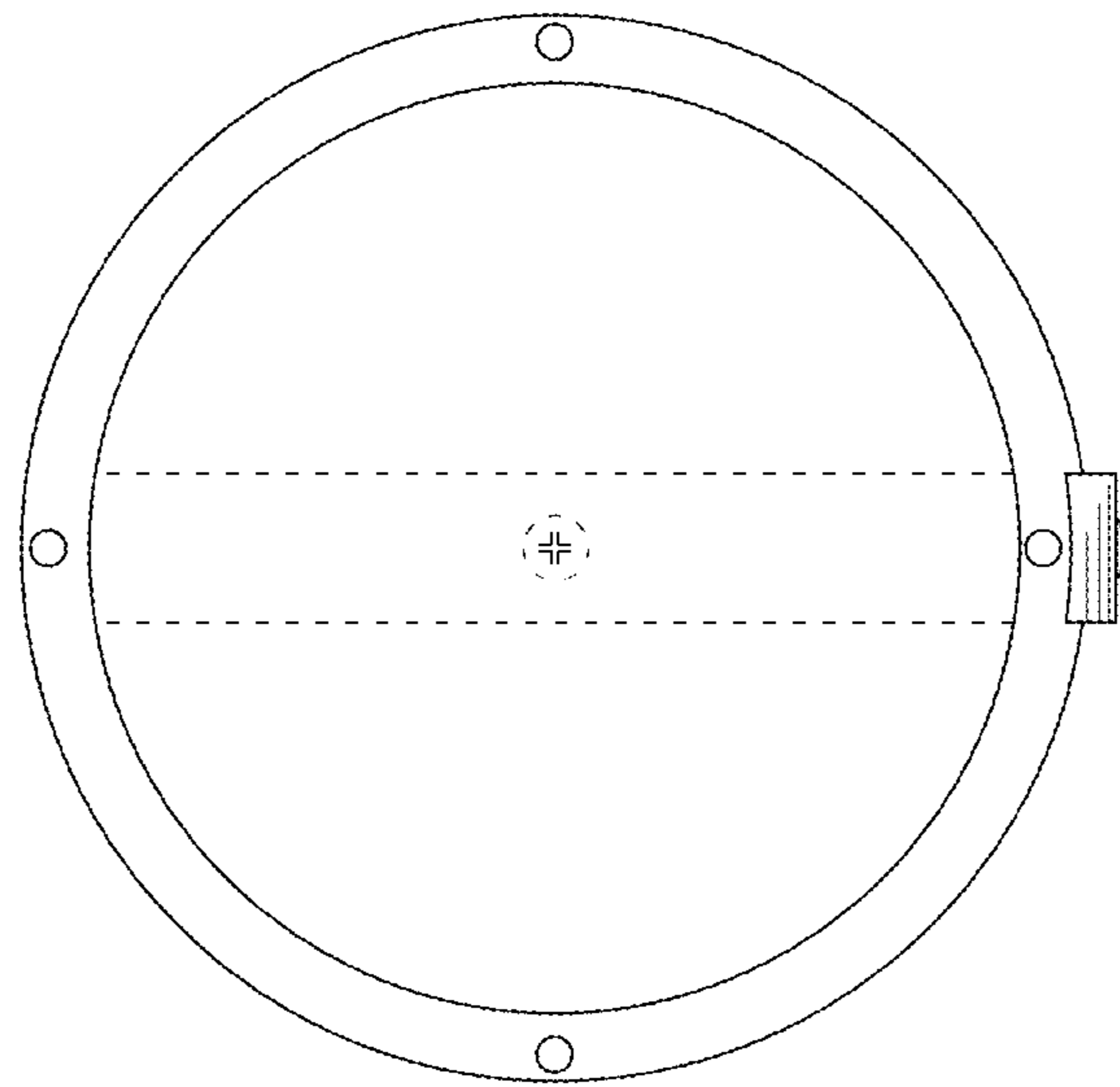


FIG. 7