



US00D972331S

(12) **United States Design Patent** (10) **Patent No.:** **US D972,331 S**
Ma (45) **Date of Patent:** **** Dec. 13, 2022**

(54) **BAG STORAGE ORGANIZER**
(71) Applicant: **Heyan Ma**, Shenzhen (CN)
(72) Inventor: **Heyan Ma**, Shenzhen (CN)
(**) Term: **15 Years**
(21) Appl. No.: **29/835,416**
(22) Filed: **Apr. 19, 2022**
(51) **LOC (13) Cl.** **20-02**
(52) **U.S. Cl.**
USPC **D6/515; D6/520**
(58) **Field of Classification Search**
USPC D6/515-523; D9/307, 521, 529, 419,
D9/420; D3/20, 301, 201, 304; D34/10;
D19/67, 134; D7/601, 631, 632
CPC A47F 7/021; A47F 5/05; A47F 7/00; A47F
1/126; A47F 7/163; A47F 13/08; A47K
10/40; A47K 10/3836; A47K 10/16;
A47K 2010/3266; A47K 10/42; A47K
10/426; B66D 1/7442; B65D 85/00;
B65D 81/00; B65D 81/22; B65D 83/0805
See application file for complete search history.

D579,702 S * 11/2008 McArdle D9/661
D634,138 S * 3/2011 Wallace D6/518
D645,220 S * 9/2011 Yang D34/10
D660,626 S * 5/2012 Garner D6/520
D670,517 S * 11/2012 Murphy D6/515
D681,378 S * 5/2013 Murphy D6/515
D681,986 S * 5/2013 Murphy
D683,986 S * 6/2013 Murphy D6/515
D686,842 S * 7/2013 Murphy D6/515
D686,843 S * 7/2013 Murphy D6/515
D787,342 S * 5/2017 Romito D9/730
D830,741 S 10/2018 Nourie
D886,487 S 6/2020 Sukyas et al.

(Continued)

OTHER PUBLICATIONS

Amazon.com, 6 In 1 Ziplock Bag Storage Organizer and Wrap Dispenser With Cutter, Apr. 20, 2022, <https://www.amazon.com/dp/B09YCYXW6/?th=1> (Year: 2022).*

Primary Examiner — Nathan M Johnston
(74) *Attorney, Agent, or Firm* — Xuan Zhang

(57) **CLAIM**

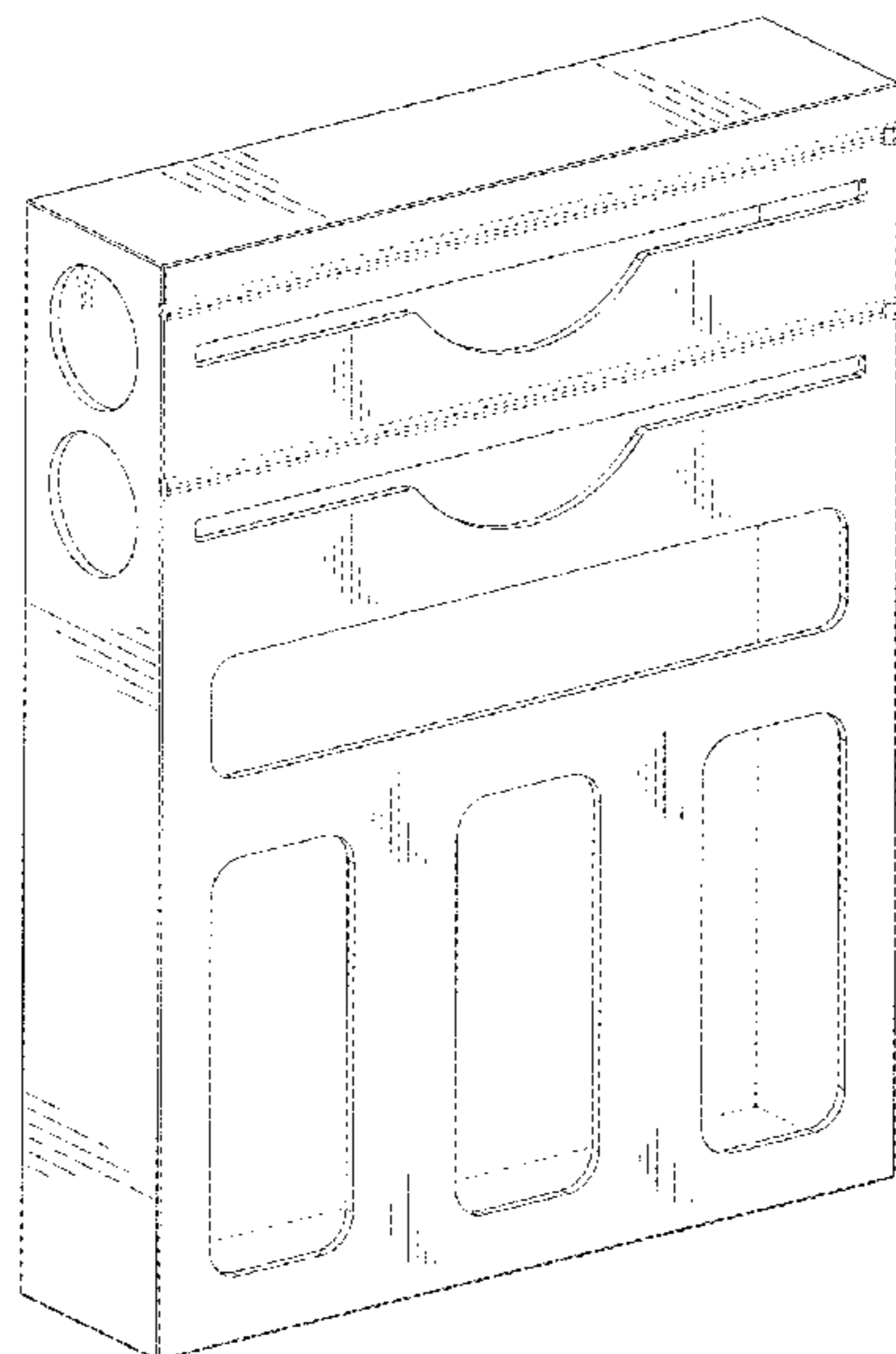
The ornamental design for a bag storage organizer, substantially as shown and described.

DESCRIPTION

FIG. 1 is a first perspective view of a bag storage organizer showing my new design;
FIG. 2 is a second perspective view thereof;
FIG. 3 is a front view thereof;
FIG. 4 is a rear view thereof;
FIG. 5 is a left view thereof;
FIG. 6 is a right view thereof;
FIG. 7 is a top view thereof; and,
FIG. 8 is a bottom view thereof.
The broken lines in the drawings are included for the purpose of illustrating portions of the bag storage organizer that forms no part of the claimed design.

1 Claim, 8 Drawing Sheets

(56) **References Cited**
U.S. PATENT DOCUMENTS
D162,809 S * 4/1951 Gay D27/176
D206,113 S * 11/1966 Basinals D6/519
D334,498 S * 4/1993 Romme D9/418
D339,943 S * 10/1993 Romme D6/515
D364,298 S * 11/1995 Phifer D6/515
D392,482 S * 3/1998 Seenath D9/418
D421,863 S * 3/2000 Tetreault D6/657
D424,342 S * 5/2000 Pasquale D6/519
D430,436 S * 9/2000 Shimbo D6/515
D432,341 S * 10/2000 Shimbo D6/515
D434,256 S * 11/2000 Shimbo D6/515
D477,134 S 7/2003 Palmer
D523,267 S * 6/2006 Mays-Hobbs D6/518
D530,947 S * 10/2006 Garcia-Elste D6/520



(56)

References Cited

U.S. PATENT DOCUMENTS

D913,784 S 3/2021 O'Donnell
D949,504 S * 4/2022 Abbott D34/10

* cited by examiner

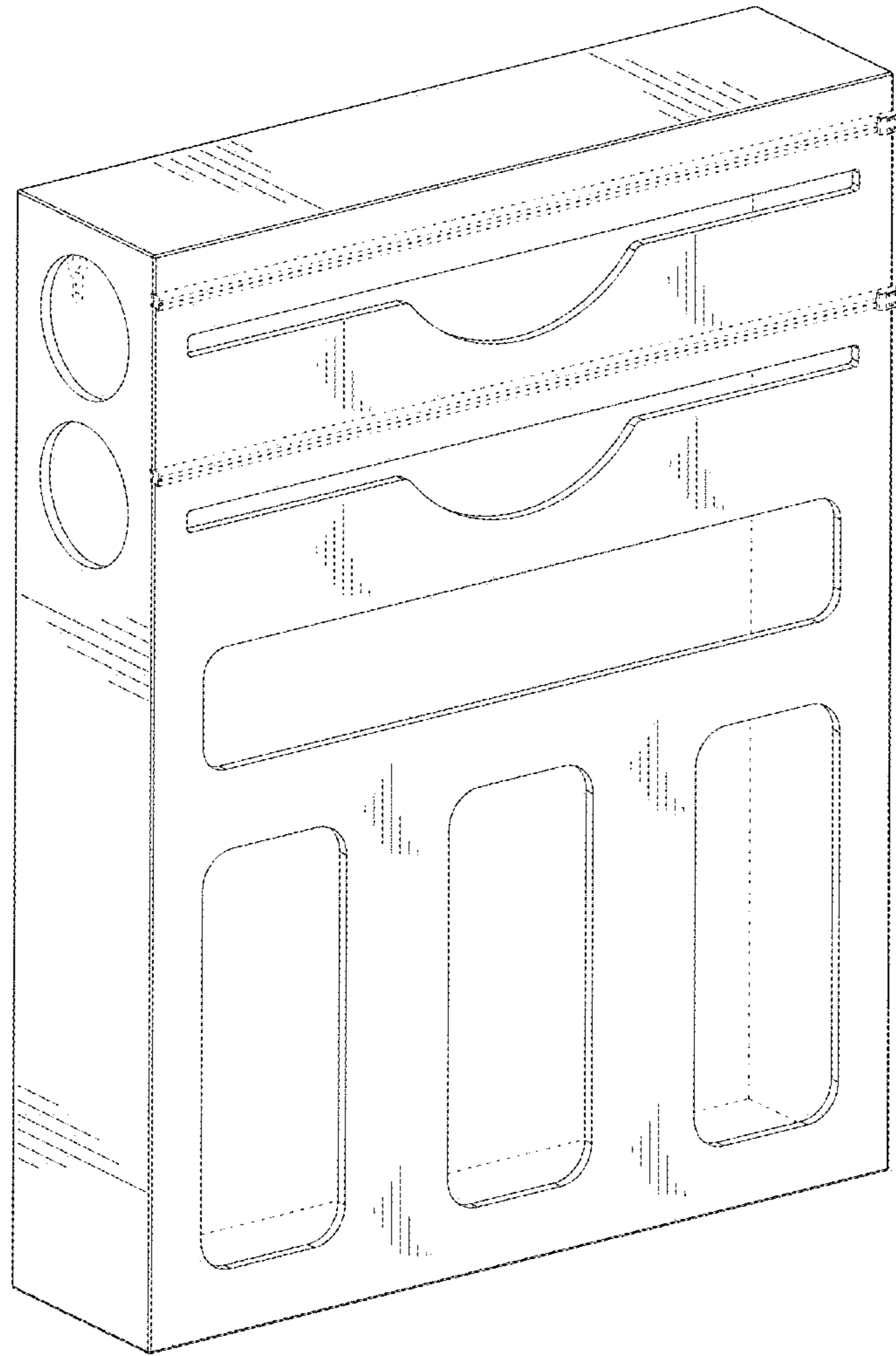


FIG. 1

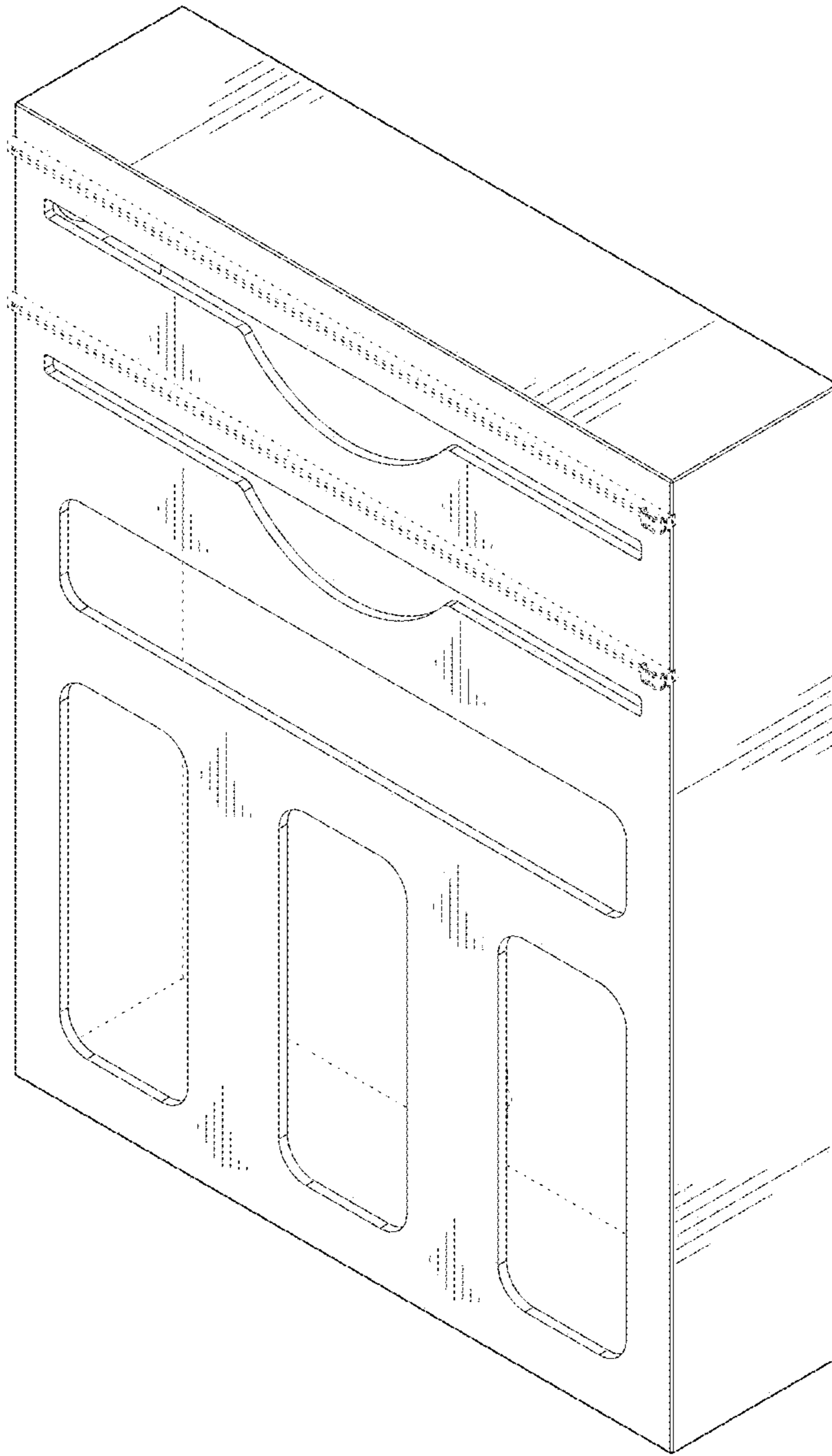


FIG. 2

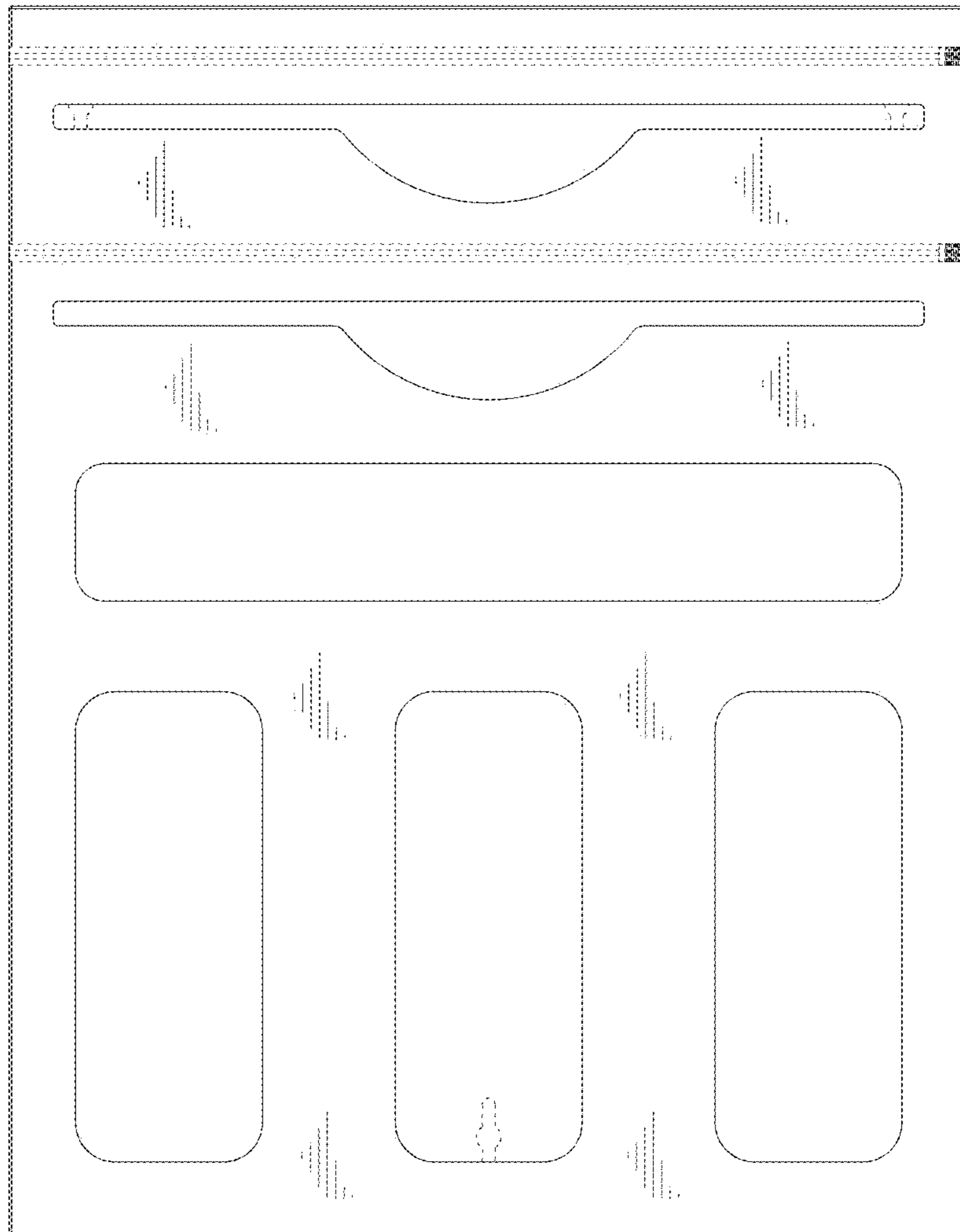


FIG. 3

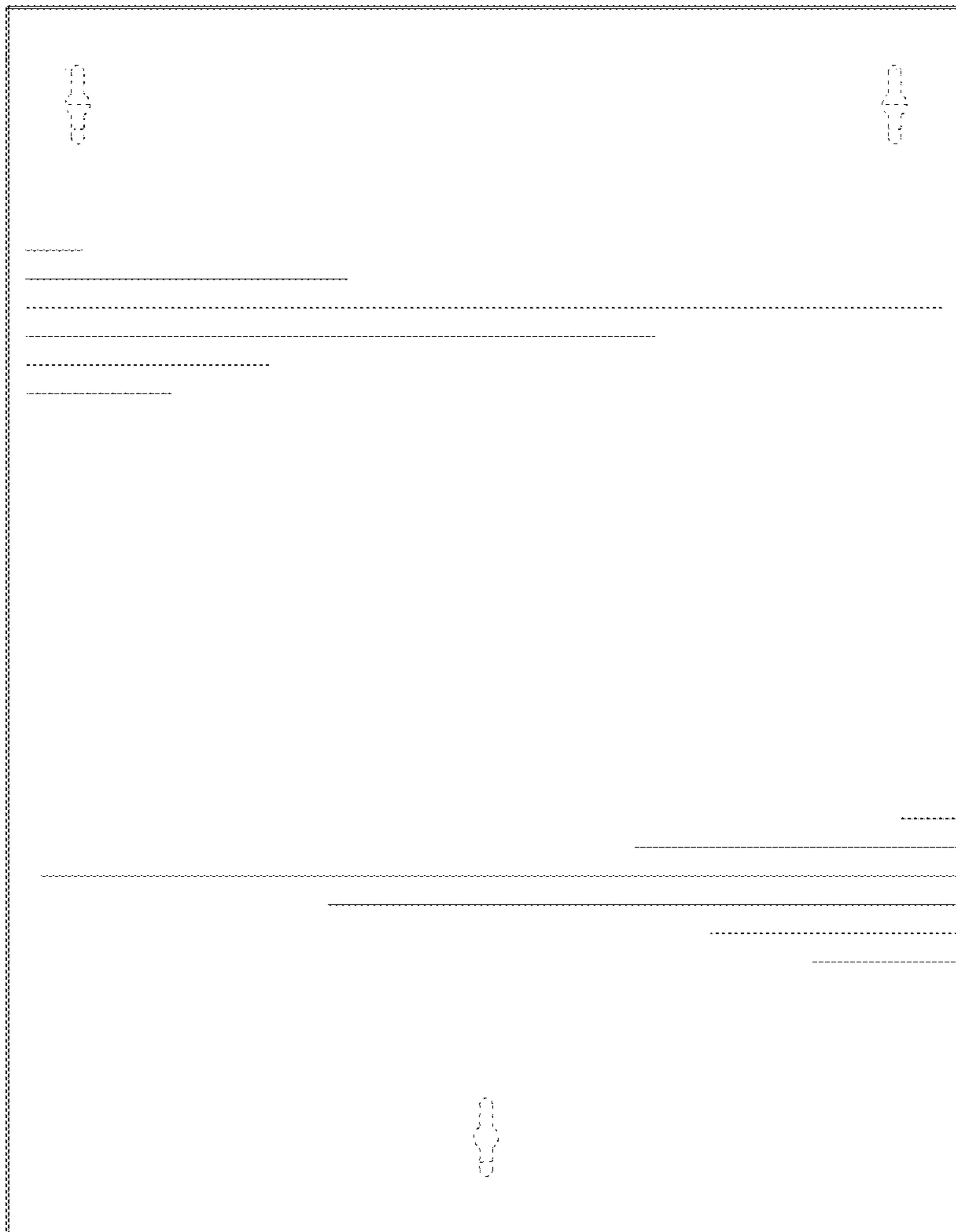


FIG. 4

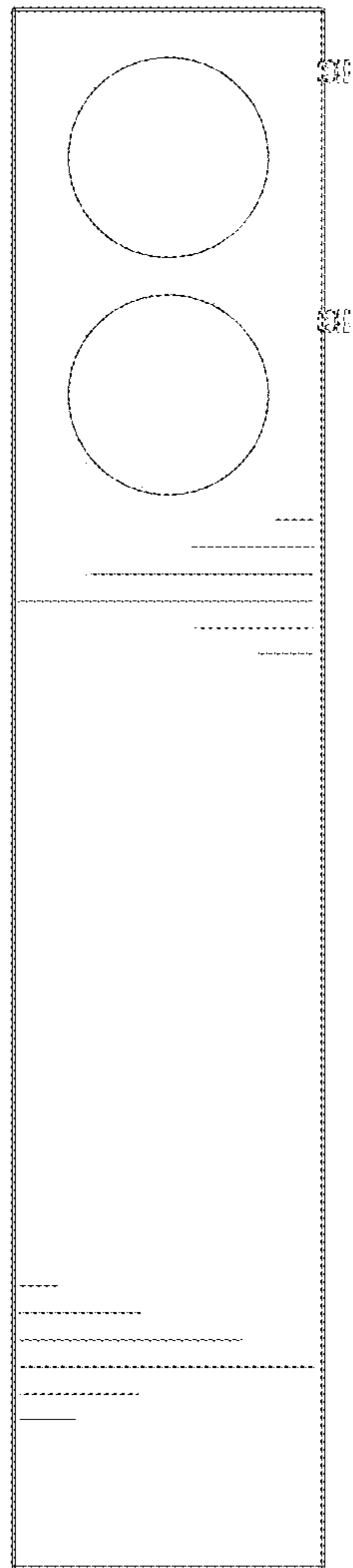


FIG. 5

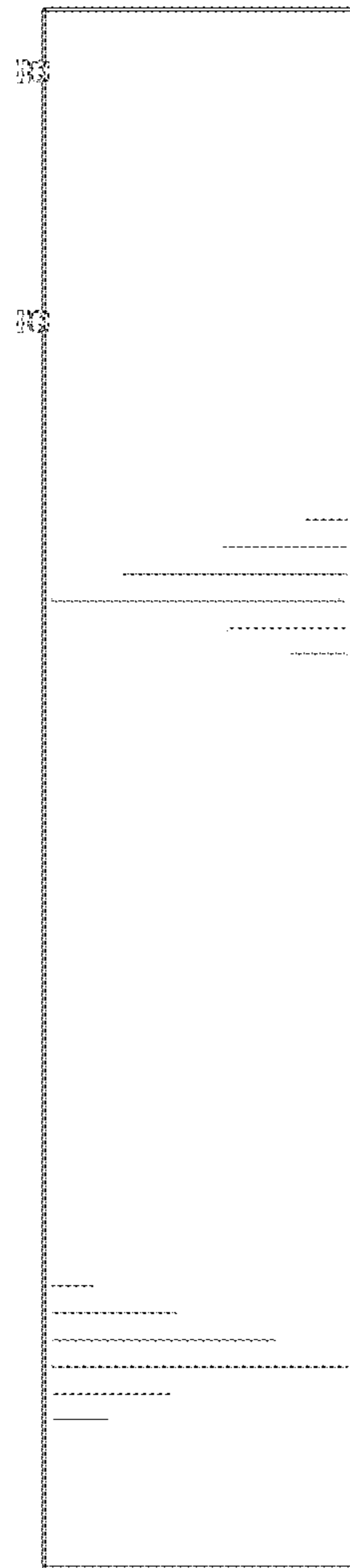


FIG. 6

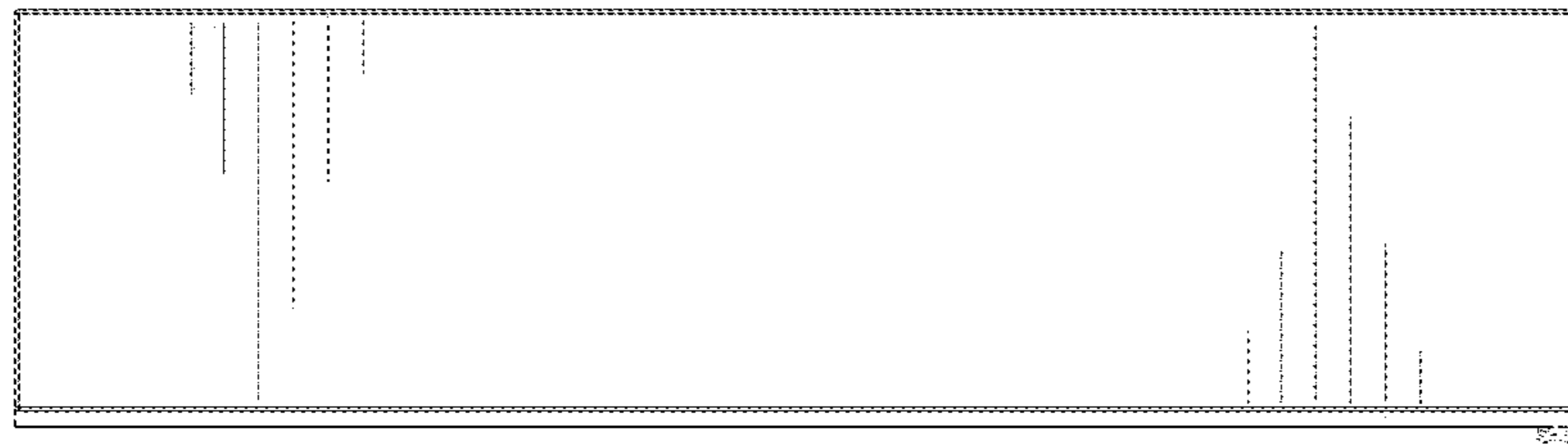


FIG. 7

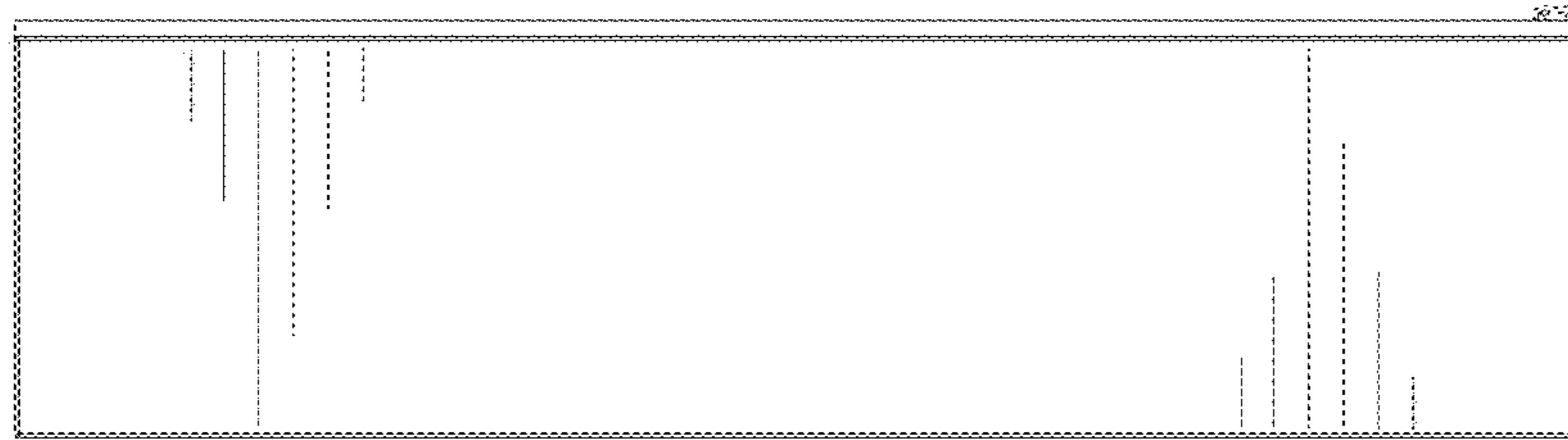


FIG. 8