



US00D972328S

(12) **United States Design Patent** (10) **Patent No.:** **US D972,328 S**
Sempé (45) **Date of Patent:** **** Dec. 13, 2022**

(54) **SOFA**

FOREIGN PATENT DOCUMENTS

(71) Applicant: **HAY ApS**, Horsens (DK)

GB 9008020176-0003 * 6/2020

(72) Inventor: **Inga Sempé**, Paris (FR)

OTHER PUBLICATIONS

(73) Assignee: **HAY APS**, Horsens (DK)

Pandarine sofa [online], [site visited Mar. 21, 2022]. Available from internet, URL: <<https://hay.dk/en/hay/furniture/seating-18d7502d/sofa/pandarine-b2b/pandarine-3-seater-cylindrical-armrest>> (Year: 2022).*

(**) Term: **15 Years**

Inga Sempé on Instagram post [online], [site visited Mar. 21, 2022]. Available from internet, URL: <<https://www.instagram.com/p/CErivhjCZhz/>> (Year: 2020).*

(21) Appl. No.: **29/754,020**

(22) Filed: **Oct. 6, 2020**

* cited by examiner

(30) **Foreign Application Priority Data**

Jun. 24, 2020 (EM) 008020176-0003

Primary Examiner — Cynthia Ramirez

(51) **LOC (13) Cl.** **06-01**

Assistant Examiner — Xavier Marti-Santos

(52) **U.S. Cl.**
USPC **D6/381**

(74) *Attorney, Agent, or Firm* — Cantor Colburn LLP

(58) **Field of Classification Search**
USPC D6/334–337, 349, 369, 374, 375, 377,
D6/381

(57) **CLAIM**

CPC A47C 17/00; A47C 17/02; A47C 17/86
See application file for complete search history.

I claim, the ornamental design for a sofa, as shown and described.

(56) **References Cited**

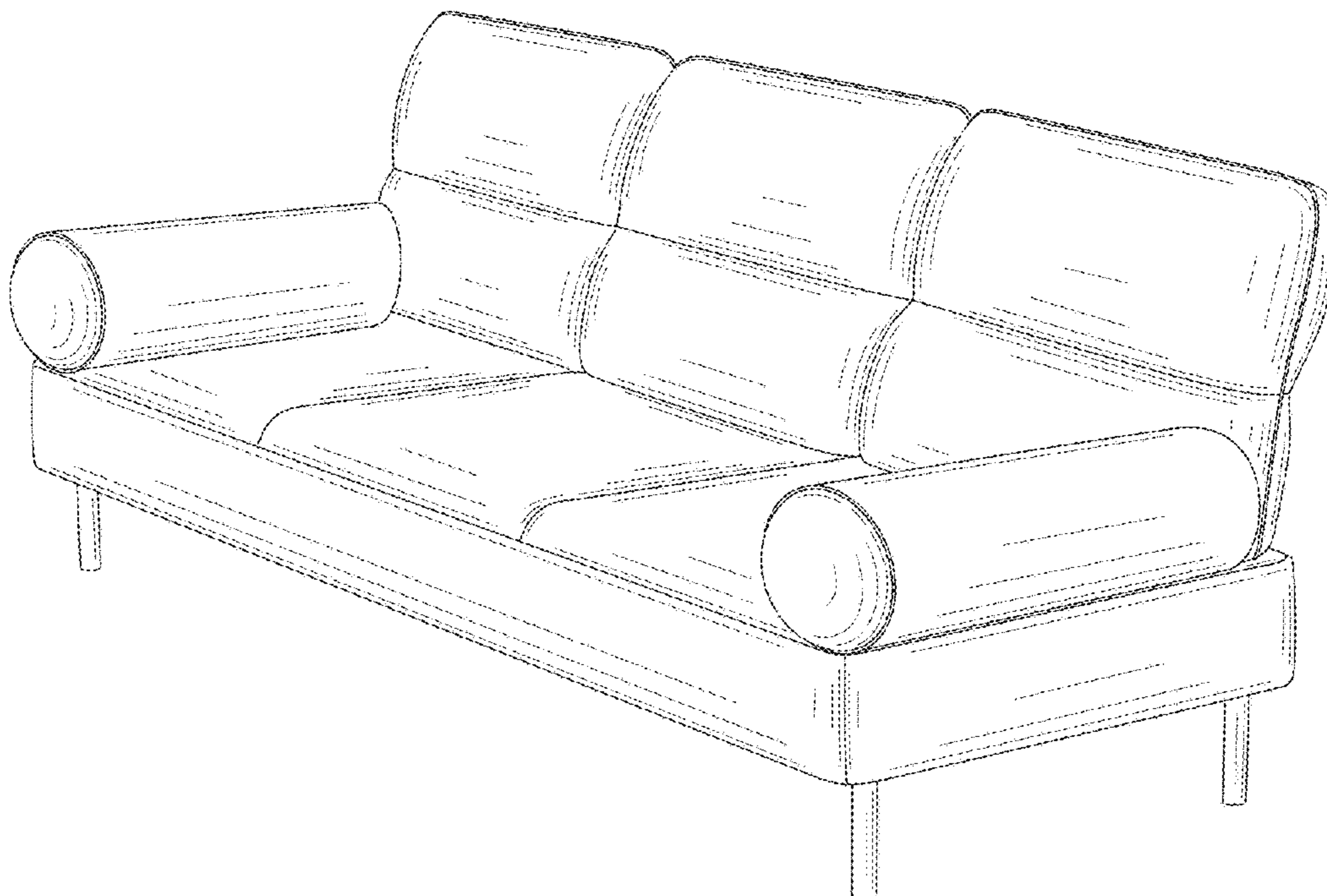
DESCRIPTION

U.S. PATENT DOCUMENTS

- 4,437,704 A * 3/1984 Hovsepian A47C 4/02
297/440.17
- D407,231 S * 3/1999 Hutton D6/381
- D461,328 S * 8/2002 Natuzzi D6/381
- D479,409 S * 9/2003 Nicoletti D6/381
- D514,349 S * 2/2006 Natuzzi D6/381
- D555,383 S * 11/2007 Borgonovo D6/381
- D930,374 S * 9/2021 Kanthasamy D6/381
- D938,185 S * 12/2021 Citterio D6/381

FIG. 1 is a perspective view of a sofa, showing my new design;
FIG. 2 is a front view thereof;
FIG. 3 is a rear view thereof;
FIG. 4 is a side view thereof, the opposite side being a mirror image; and,
FIG. 5 is a top view thereof.

1 Claim, 5 Drawing Sheets



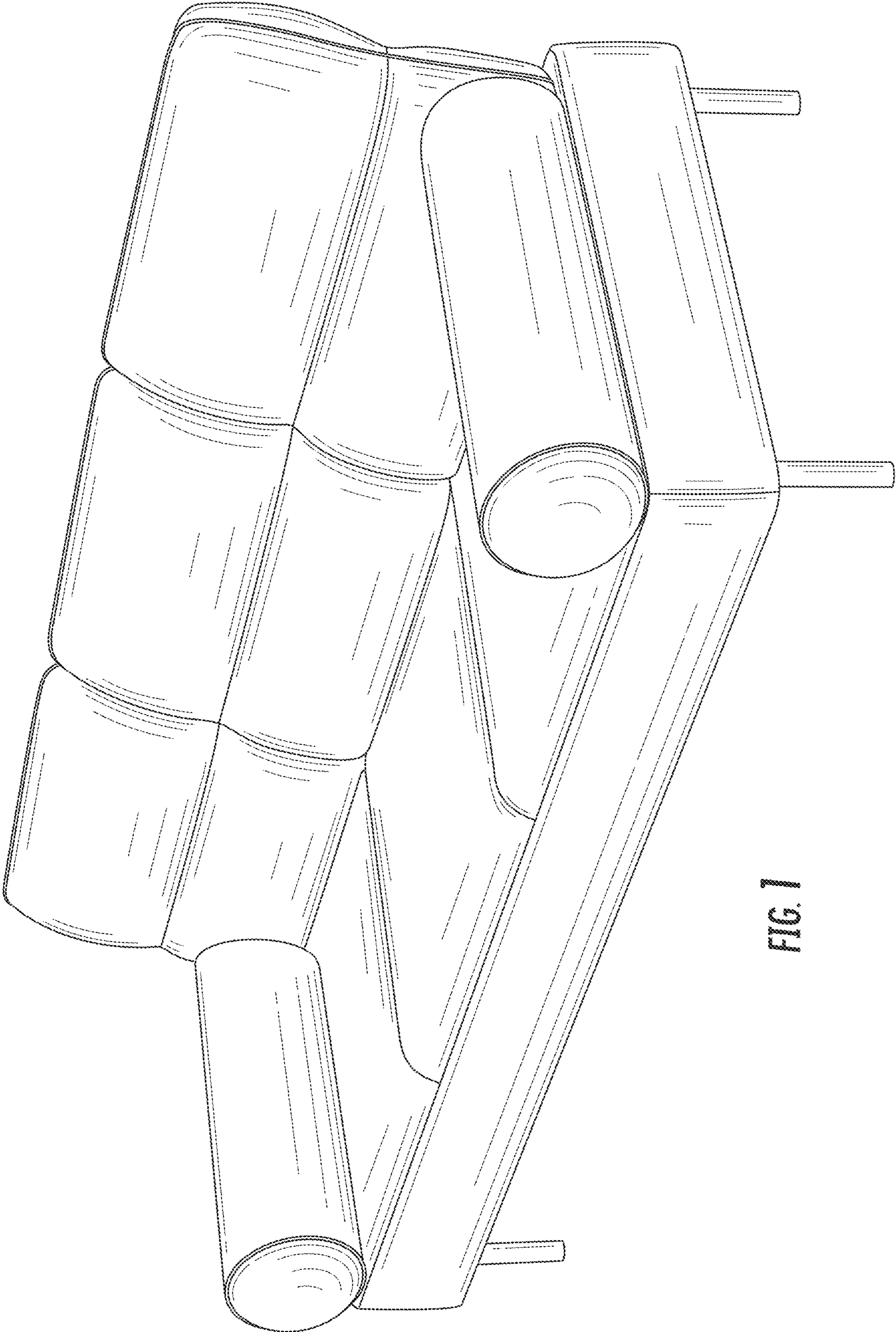


FIG. 1

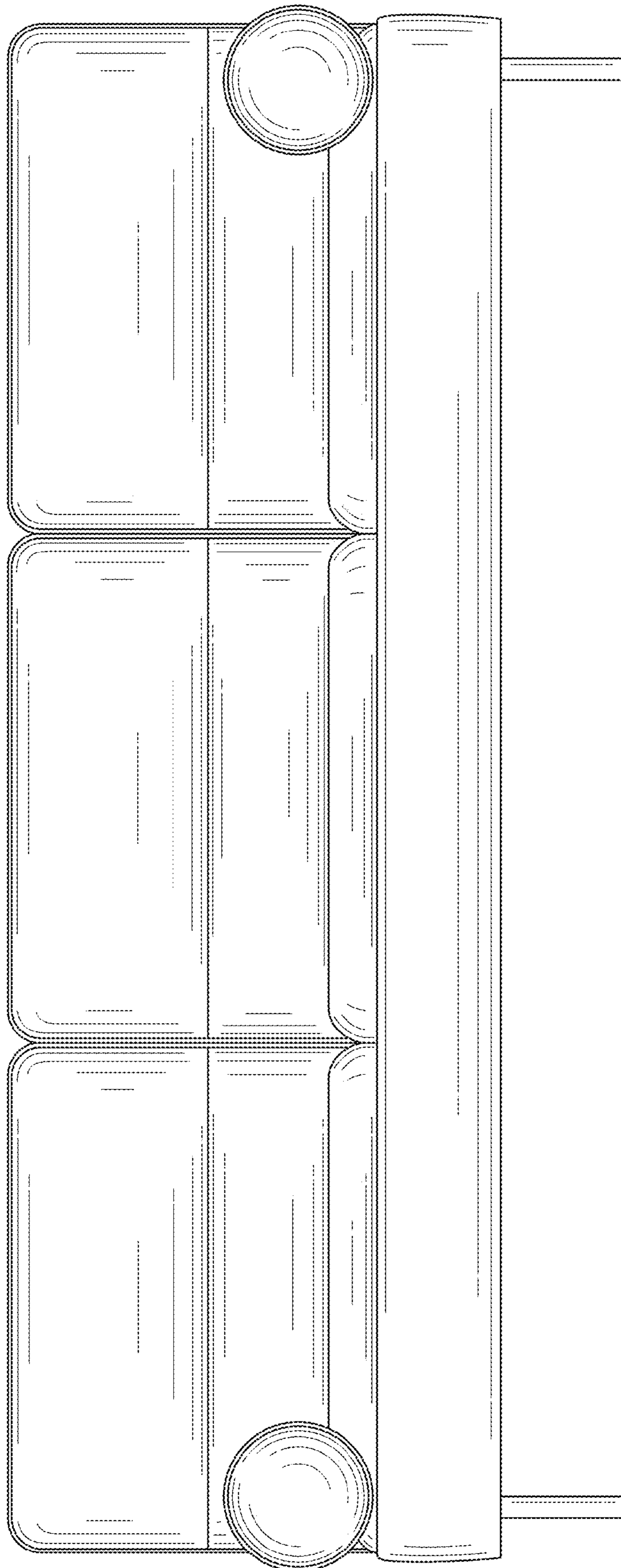


FIG. 2

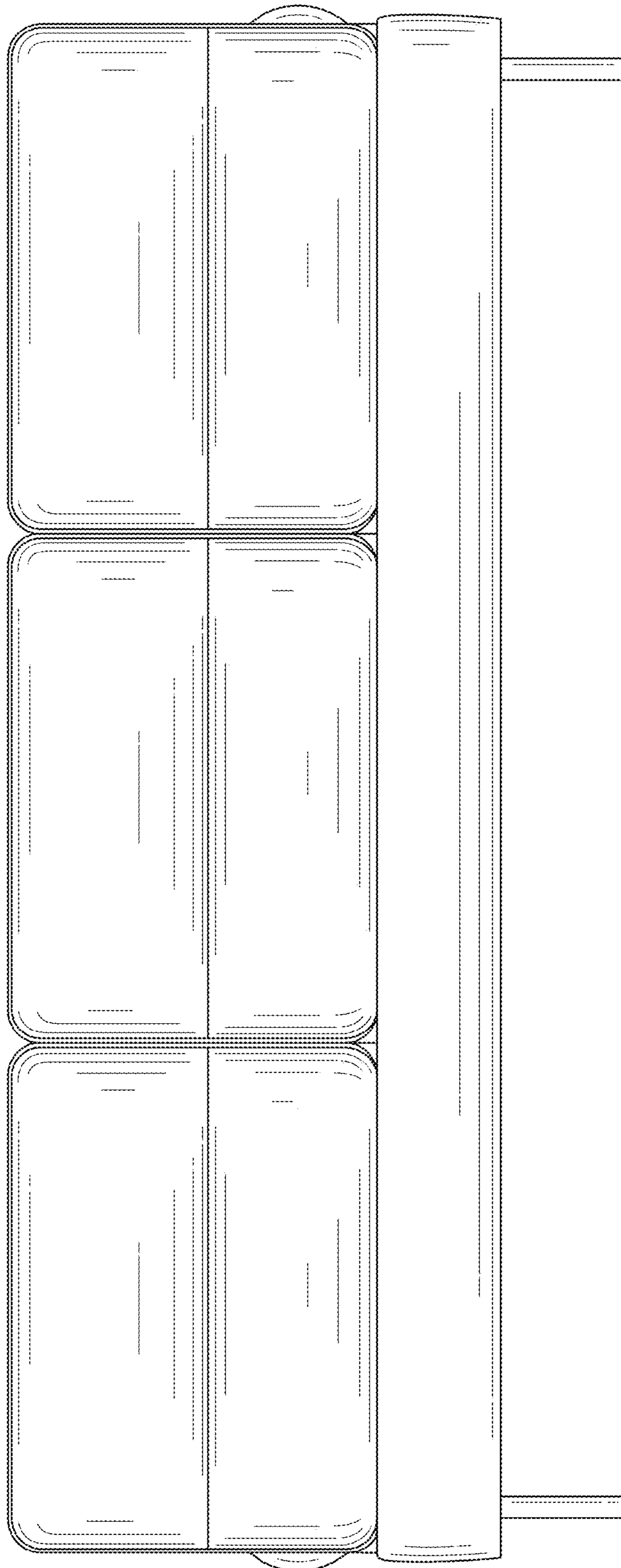


FIG. 3

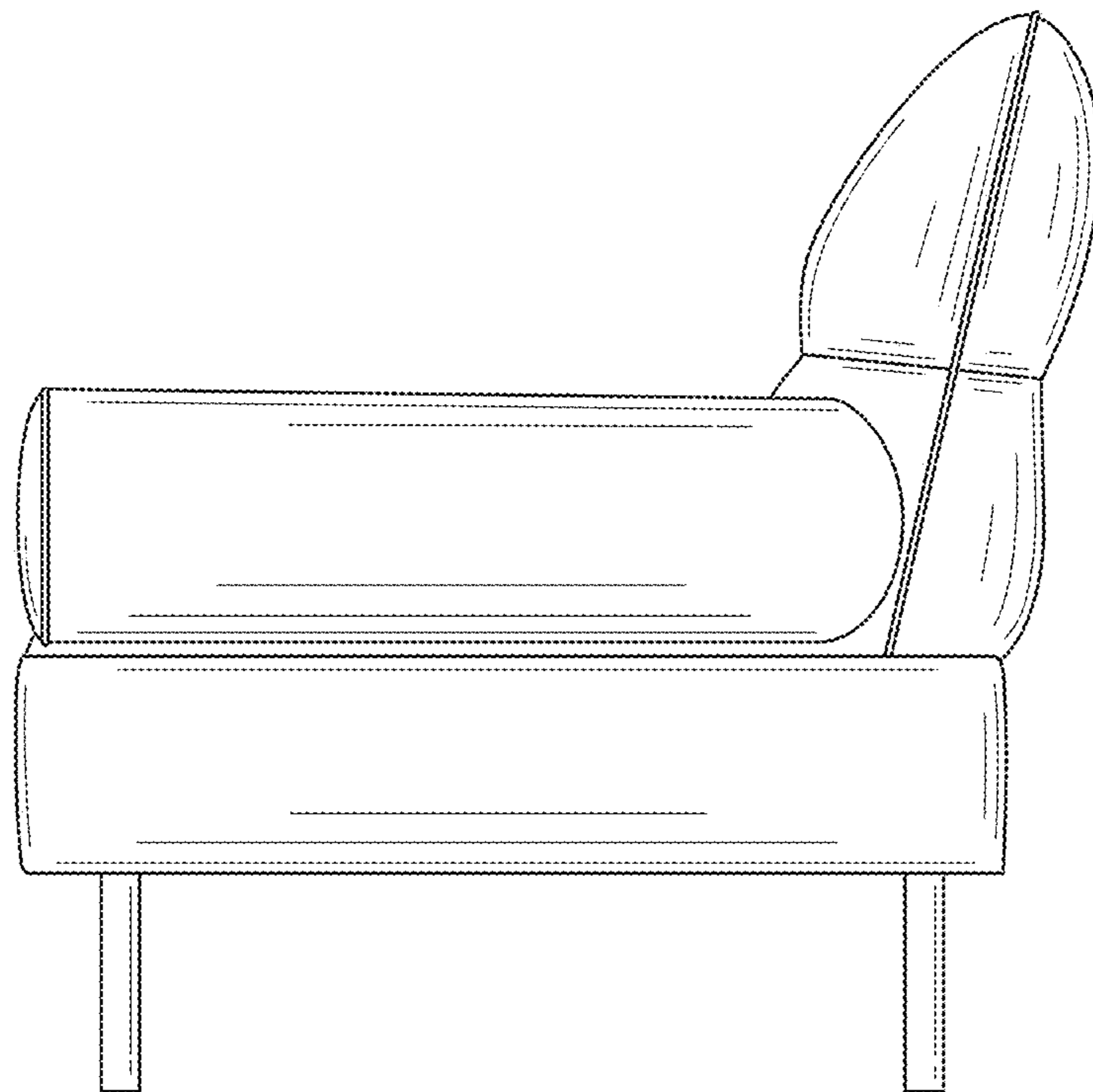


FIG. 4

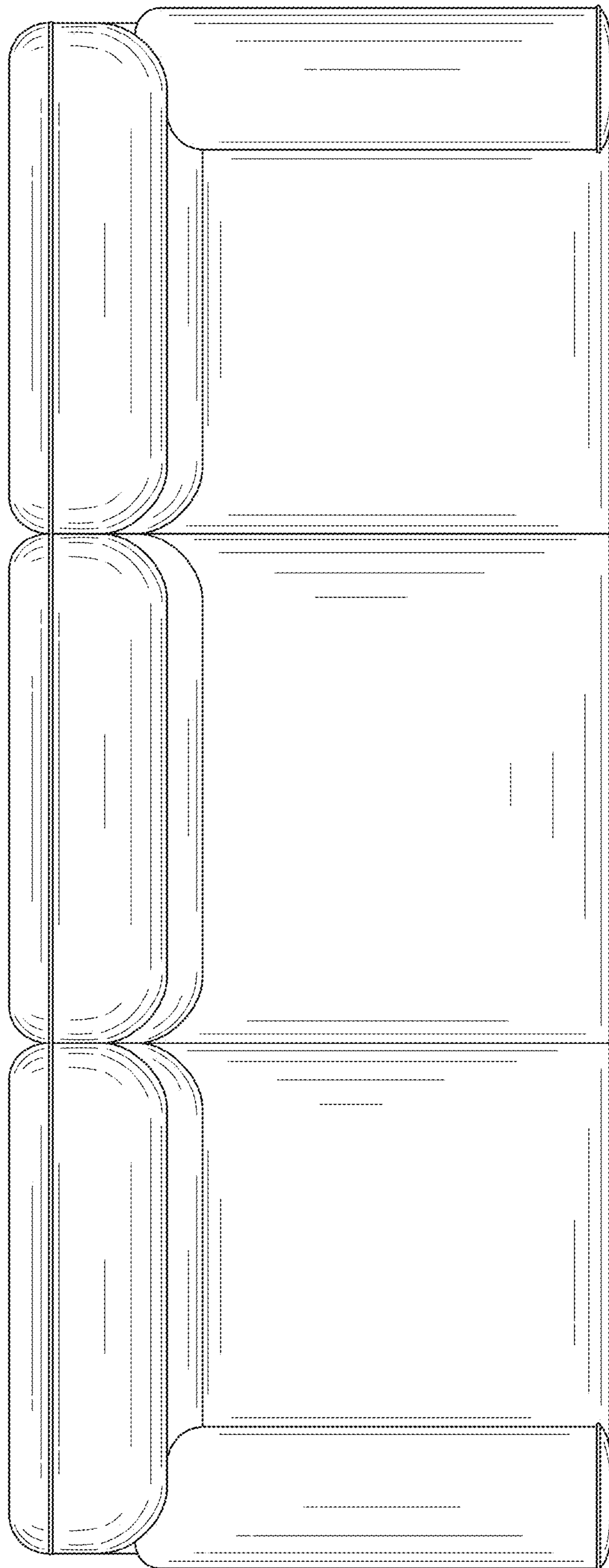


FIG. 5