

US00D972323S

(12) **United States Design Patent** (10) **Patent No.:** **US D972,323 S**
Spoelhof et al. (45) **Date of Patent:** **** Dec. 13, 2022**

(54) **STOOL**
(71) Applicant: **STEELCASE INC.**, Grand Rapids, MI (US)
(72) Inventors: **Mark Spoelhof**, Grand Rapids, MI (US); **Alyssa Robert**, Kentwood, MI (US); **Bruce M. Smith**, East Grand Rapids, MI (US); **Robert Scheper**, Grand Rapids, MI (US); **Nickolaus William Charles Deevers**, Holland, MI (US)

D726,433 S * 4/2015 Starck D6/360
D746,074 S * 12/2015 Chipman D6/375
D758,747 S 6/2016 Lenz et al.
D786,574 S * 5/2017 Galiotto D6/360
D796,220 S * 9/2017 Asner D6/370
D800,467 S * 10/2017 Galiotto D6/360
D808,183 S 1/2018 Ono
D814,814 S 4/2018 Spoelhof et al.
D825,943 S * 8/2018 Boonen D6/360
D855,338 S 8/2019 Mengshoel et al.
D855,368 S 8/2019 Mengshoel et al.

(Continued)

FOREIGN PATENT DOCUMENTS

(73) Assignee: **Steelcase Inc.**, Grand Rapids, MI (US)

JP 2018187313 A 11/2018

(**) Term: **15 Years**

OTHER PUBLICATIONS

(21) Appl. No.: **29/734,758**

Steelcase Introduces Flex Perch Stool. [online] Published on Apr. 22, 2022. Retrieved Jul. 13, 2022 from URL: <https://www.steelcase.com/asia-en/press-releases/steelcase-introduces-flex-perch-stool/> (Year: 2022).*

(22) Filed: **May 15, 2020**

(51) **LOC (13) Cl.** **06-01**

(52) **U.S. Cl.**
USPC **D6/349**

(58) **Field of Classification Search**
USPC D6/334, 335, 344, 348, 349–356,
D6/364–365, 691–691.9, 692–692.6, 694,
D6/698, 700, 707.2, 708, 708.17, 708.25,
D6/716–716.1, 716.11

CPC ... A47C 12/00; A47C 13/00; A47C 16/02–04;
A47K 17/02; A47K 17/028

See application file for complete search history.

(Continued)

Primary Examiner — Vy N Koenig
(74) *Attorney, Agent, or Firm* — Price Heneveld LLP

(57) **CLAIM**

The ornamental design for a stool, as shown.

DESCRIPTION

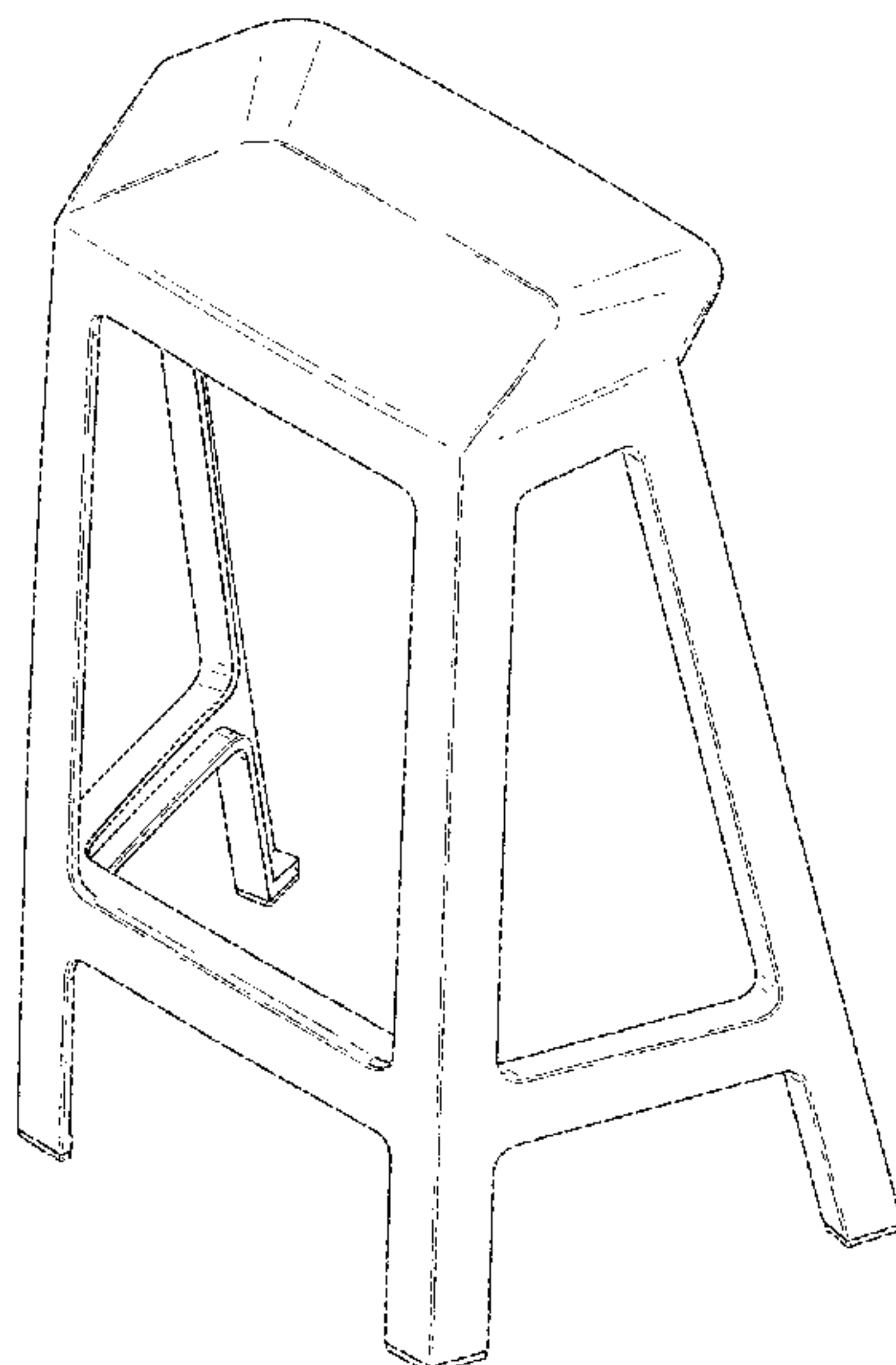
FIG. 1 is a front perspective view of a stool according to the design;
FIG. 2 is a front elevation view thereof;
FIG. 3 is a back elevation view thereof;
FIG. 4 is a right side elevation view thereof;
FIG. 5 is a left side elevation view thereof;
FIG. 6 is a top plan view thereof;
FIG. 7 is a bottom plan view thereof; and,
FIG. 8 is a back perspective thereof.

1 Claim, 8 Drawing Sheets

(56) **References Cited**

U.S. PATENT DOCUMENTS

4,130,263 A 12/1978 Roericht
D468,918 S * 1/2003 de Blois D6/375
D533,728 S * 12/2006 Martin D6/372
D586,573 S 2/2009 Saitou
D670,926 S 11/2012 Ukmar
D690,948 S * 10/2013 Lievore D6/352
D720,161 S 12/2014 Udagawa et al.



(56)

References Cited

U.S. PATENT DOCUMENTS

D860,666 S *	9/2019	Urquiola	D6/360
D869,179 S	12/2019	Hubert	
D891,796 S *	8/2020	Li	D6/349
D897,704 S *	10/2020	Giotti	D6/360
D902,613 S *	11/2020	Nardi	D6/360
D920,693 S *	6/2021	Urquiola	D6/375
D921,379 S *	6/2021	Li	D6/360
D921,380 S *	6/2021	Nardi	D6/360
D948,235 S *	4/2022	Sadove	D6/380
D953,048 S *	5/2022	Gori	D6/360

OTHER PUBLICATIONS

Steelcase Flex Perch Stool Hunts Office. [online] Retrieved Jul. 13, 2022 from URL: <https://www.huntsoffice.co.uk/office-furniture/steelcase-flex-perch-stool> (Year: 2022).*

* cited by examiner

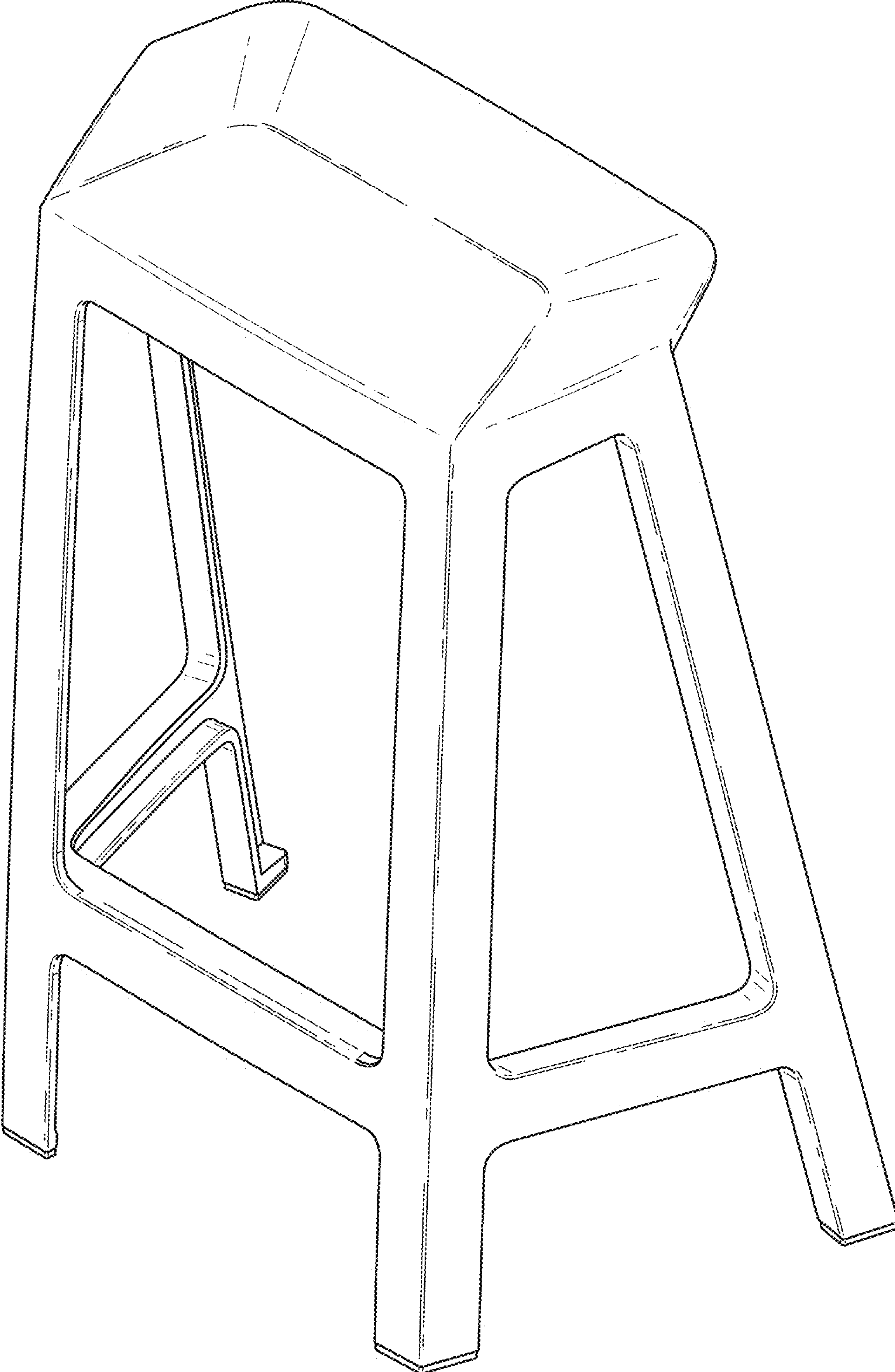


FIG. 1

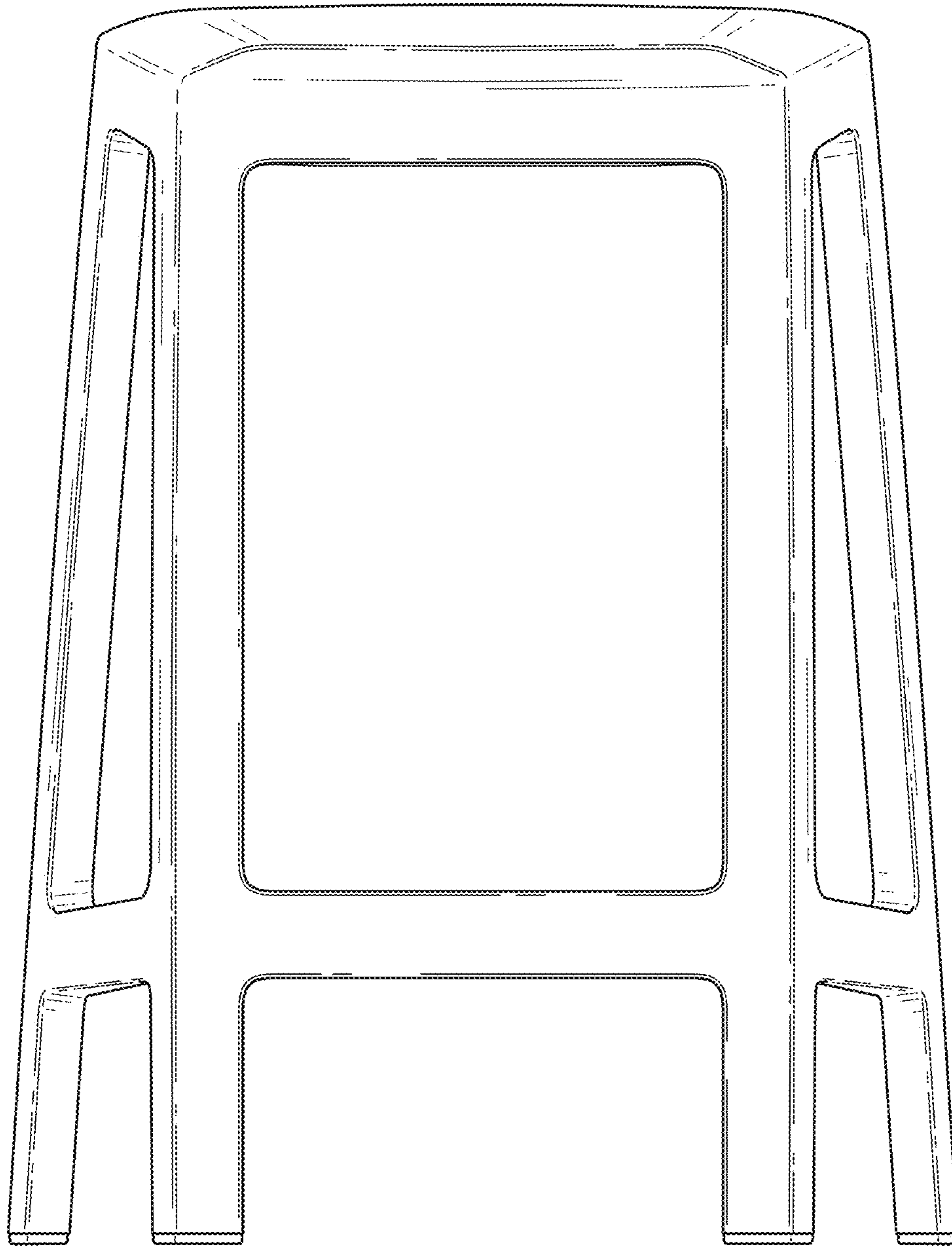


FIG. 2

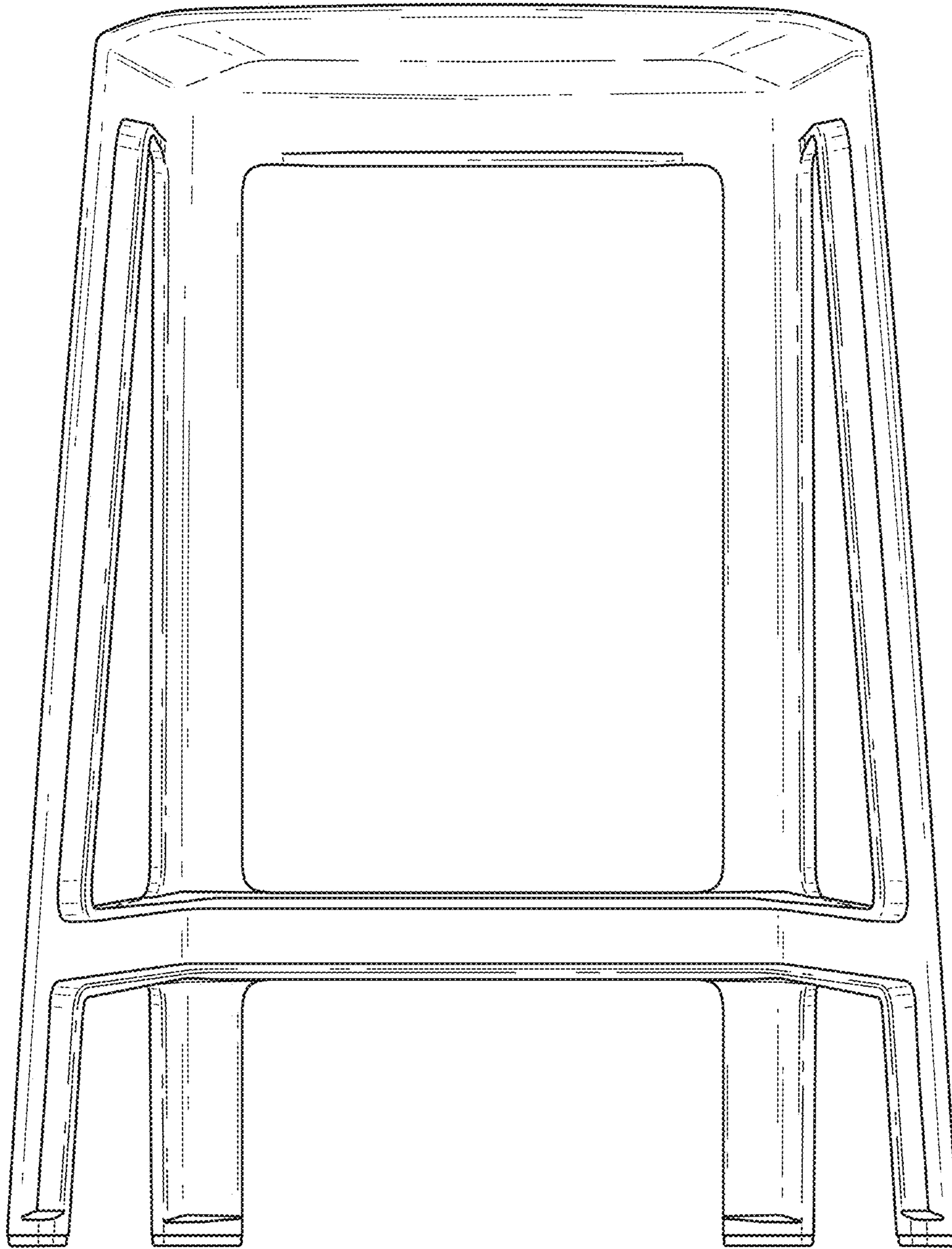


FIG. 3

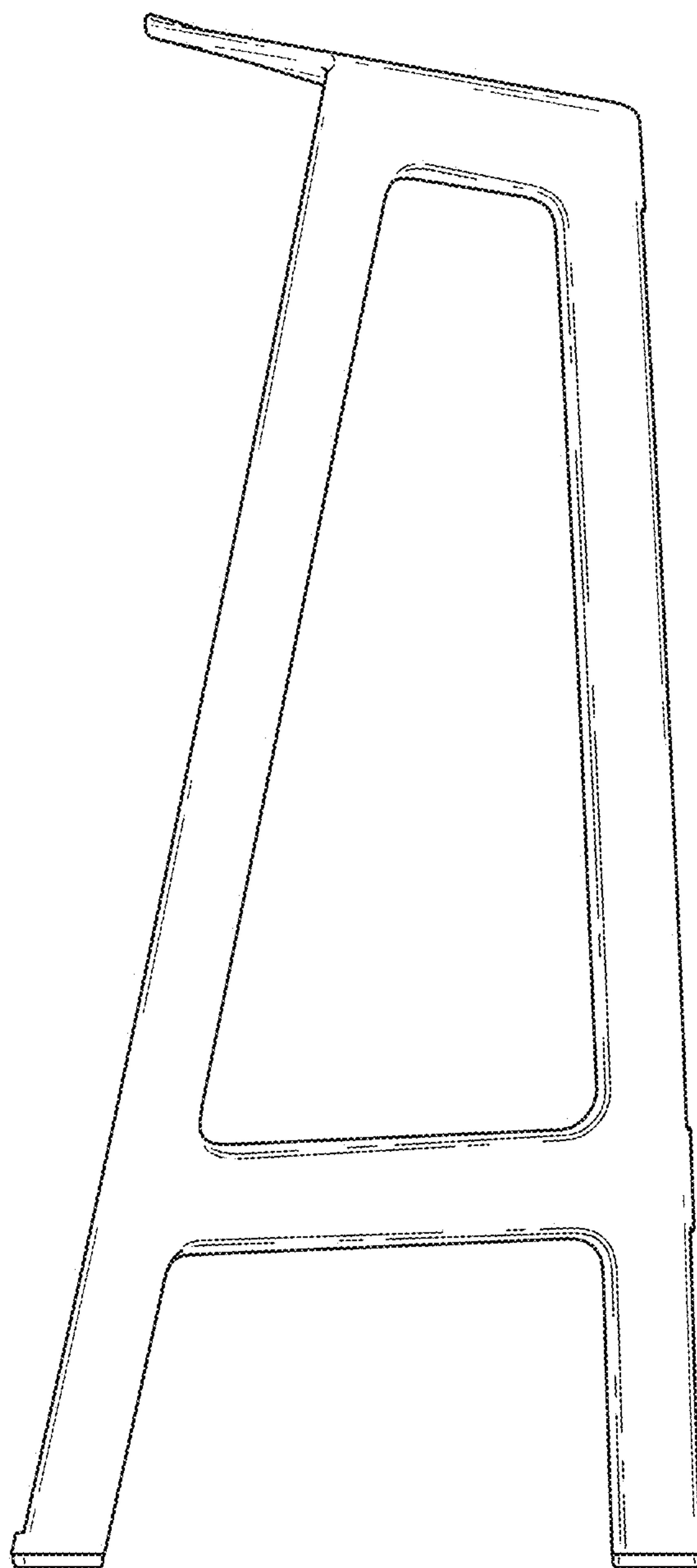


FIG. 4

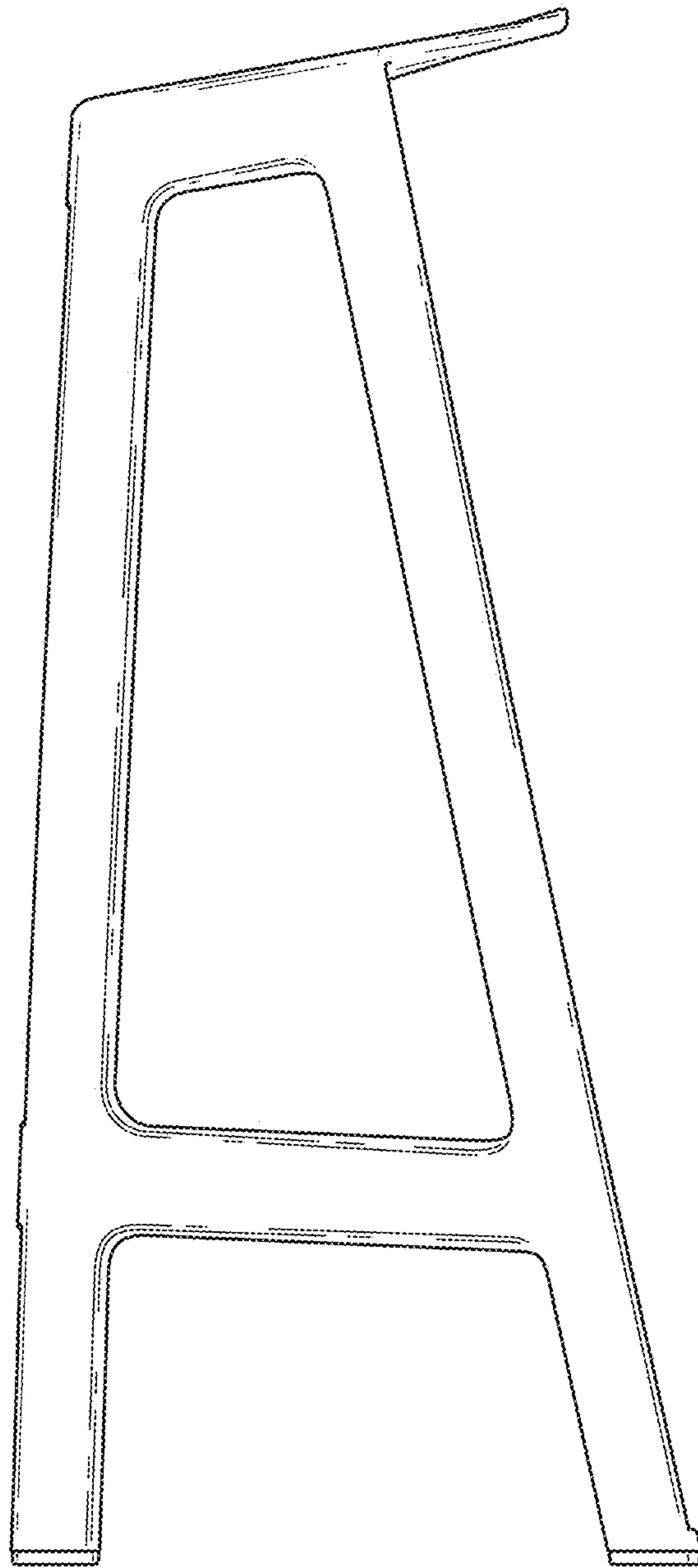


FIG. 5

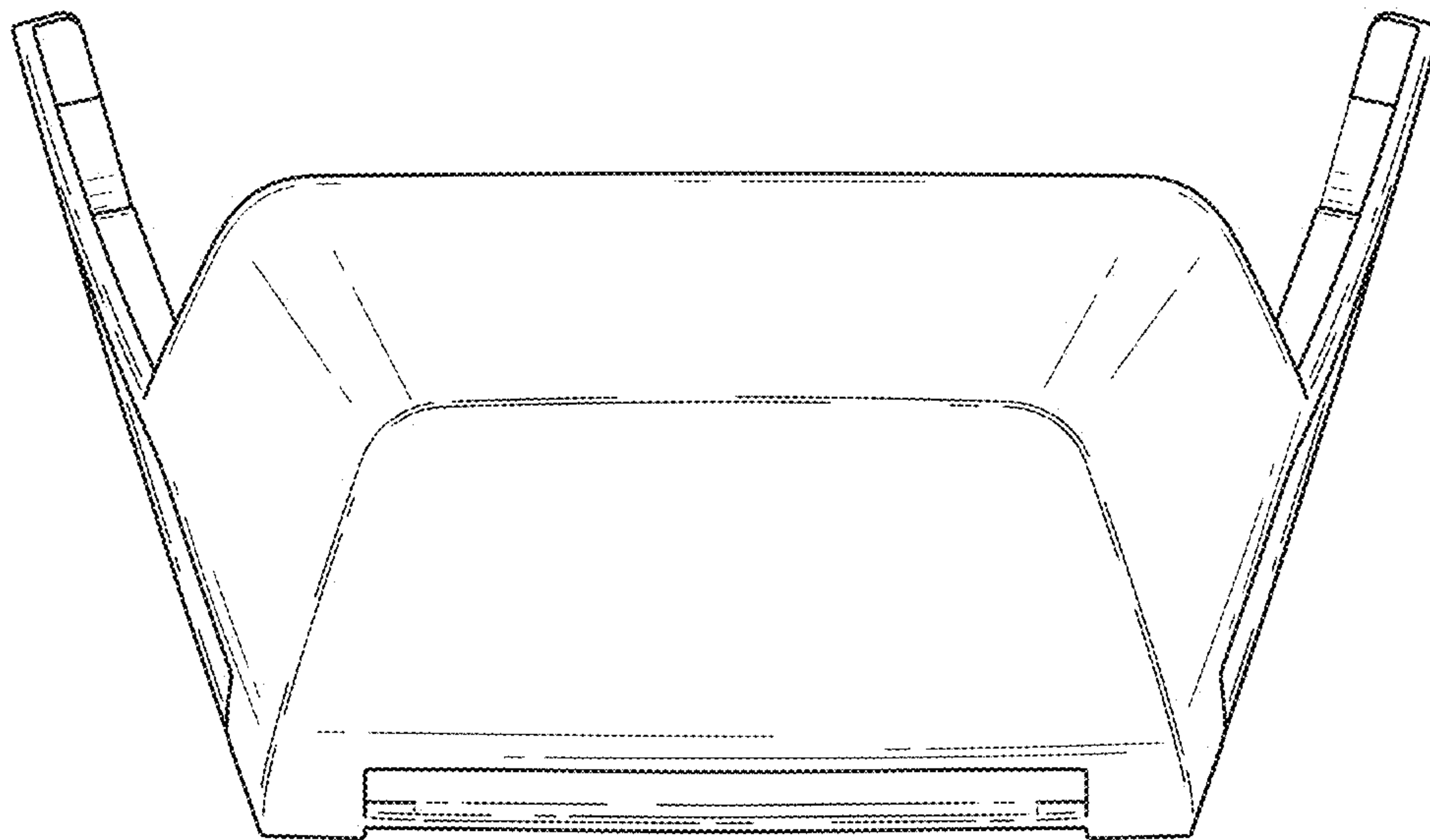


FIG. 6

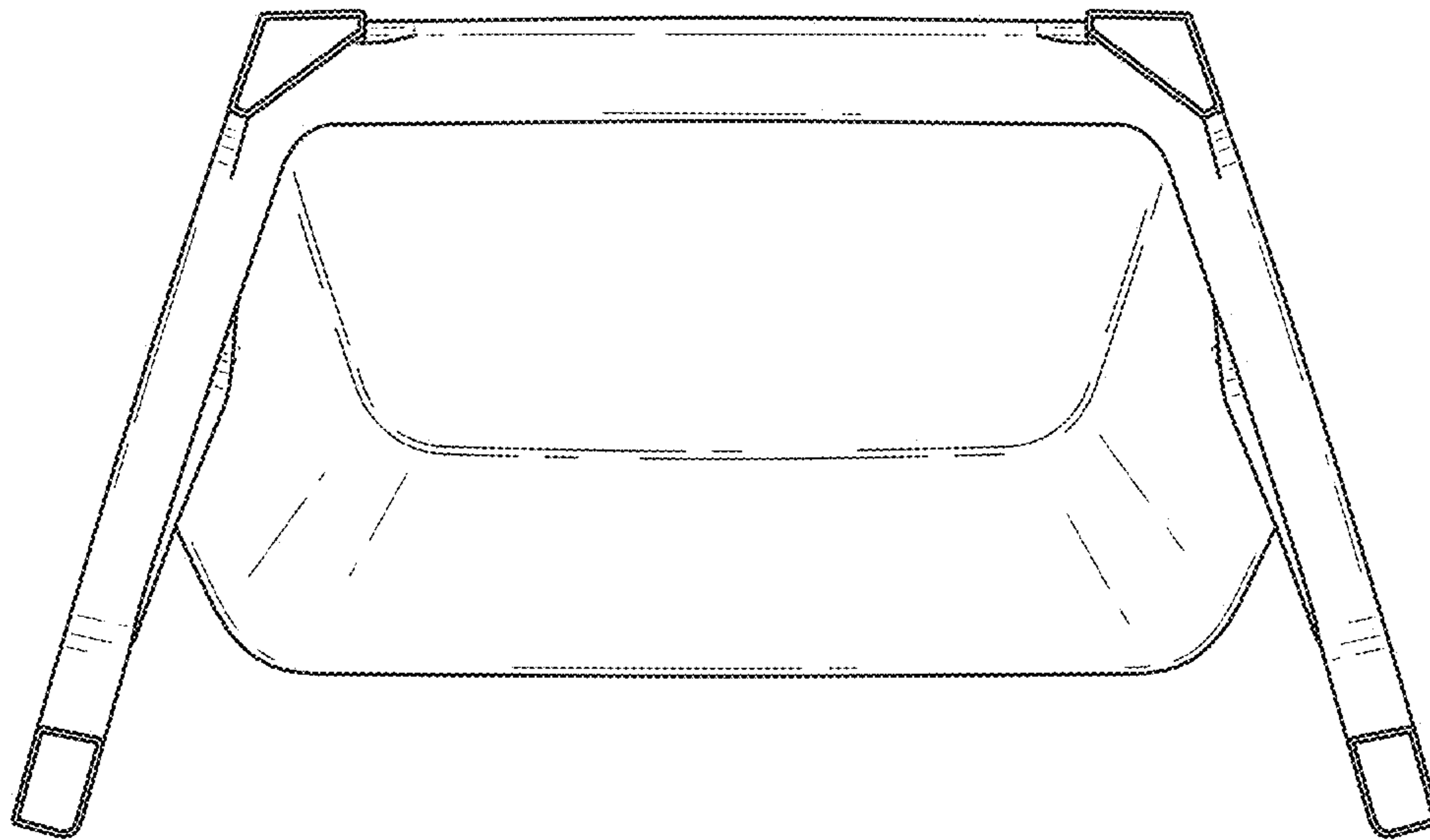


FIG. 7

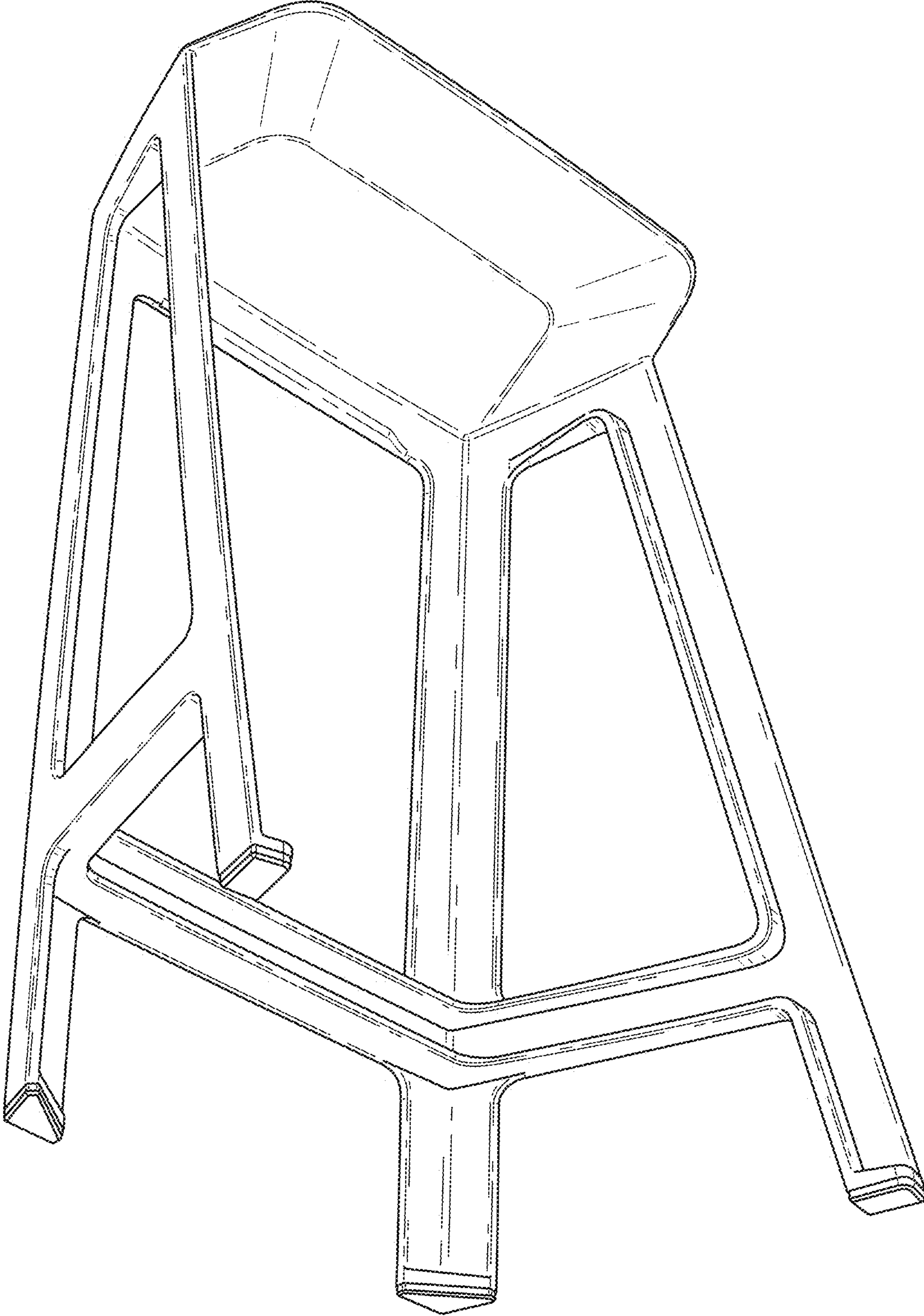


FIG. 8