



US00D972322S

(12) **United States Design Patent**  
**Spoelhof et al.**

(10) **Patent No.:** **US D972,322 S**

(45) **Date of Patent:** **\*\* Dec. 13, 2022**

(54) **STOOL**

(71) Applicant: **STEELCASE INC.**, Grand Rapids, MI (US)

(72) Inventors: **Mark Spoelhof**, Grand Rapids, MI (US); **Alyssa Robert**, Kentwood, MI (US); **Bruce M. Smith**, East Grand Rapids, MI (US); **Robert Scheper**, Grand Rapids, MI (US); **Nickolaus William Charles Deevers**, Holland, MI (US)

(73) Assignee: **Steelcase Inc.**, Grand Rapids, MI (US)

(\*\*) Term: **15 Years**

(21) Appl. No.: **29/734,755**

(22) Filed: **May 15, 2020**

(51) **LOC (13) Cl.** ..... **06-01**

(52) **U.S. Cl.**  
USPC ..... **D6/349**

(58) **Field of Classification Search**  
USPC ..... D6/334, 335, 344, 348, 349–356,  
D6/364–365, 691–691.9, 692–692.6, 694,  
D6/698, 700, 707.2, 708, 708.17, 708.25,  
D6/716–716.1, 716.11  
CPC ... A47C 12/00; A47C 13/00; A47C 16/02–04;  
A47K 17/02; A47K 17/028  
See application file for complete search history.

(56) **References Cited**

**U.S. PATENT DOCUMENTS**

4,130,263 A 12/1978 Roericht  
D468,918 S \* 1/2003 de Blois ..... D6/375  
D533,728 S \* 12/2006 Martin ..... D6/372  
D586,573 S 2/2009 Saitou  
D670,926 S 11/2012 Ukmar  
D690,948 S \* 10/2013 Lievore ..... D6/352  
D720,161 S 12/2014 Udagawa et al.

D726,433 S \* 4/2015 Starck ..... D6/360  
D746,074 S \* 12/2015 Chipman ..... D6/375  
D758,747 S 6/2016 Lenz et al.  
D786,574 S \* 5/2017 Galiotto ..... D6/360  
D796,220 S \* 9/2017 Asner ..... D6/370  
D800,467 S \* 10/2017 Galiotto ..... D6/360  
D808,183 S 1/2018 Ono  
D814,814 S 4/2018 Spoelhof et al.  
D825,943 S \* 8/2018 Boonen ..... D6/360  
D855,338 S 8/2019 Mengshoel et al.  
D855,368 S 8/2019 Mengshoel et al.

(Continued)

**FOREIGN PATENT DOCUMENTS**

JP 2018187313 A 11/2018

**OTHER PUBLICATIONS**

Steelcase Introduces Flex Perch Stool. [online] Published on Apr. 22, 2022. Retrieved Jul. 13, 2022 from URL: <https://www.steelcase.com/asia-en/press-releases/steelcase-introduces-flex-perch-stool/> (Year: 2022).\*

(Continued)

*Primary Examiner* — Vy N Koenig  
(74) *Attorney, Agent, or Firm* — Price Heneveld LLP

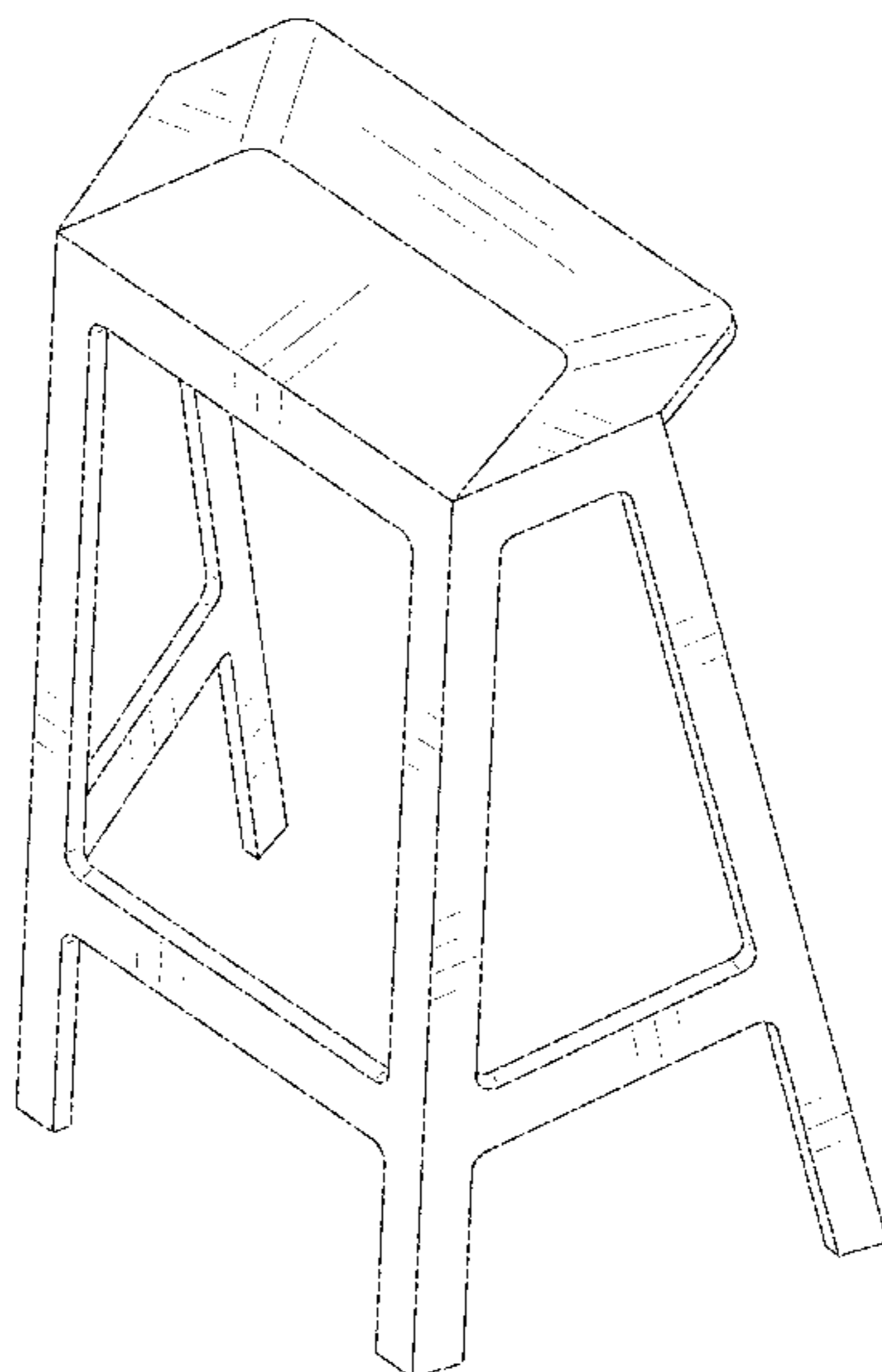
(57) **CLAIM**

The ornamental design for a stool, as shown.

**DESCRIPTION**

FIG. 1 is a front perspective view of a stool according to the design;  
FIG. 2 is a front elevation view thereof;  
FIG. 3 is a back elevation view thereof;  
FIG. 4 is a right side elevation view thereof;  
FIG. 5 is a left side elevation view thereof;  
FIG. 6 is a top plan view thereof;  
FIG. 7 is a bottom plan view thereof; and,  
FIG. 8 is a back perspective thereof.

**1 Claim, 8 Drawing Sheets**



(56)

**References Cited**

U.S. PATENT DOCUMENTS

D860,666 S *	9/2019	Urquiola .....	D6/360
D869,179 S	12/2019	Hubert	
D891,796 S *	8/2020	Li .....	D6/349
D897,704 S *	10/2020	Giotti .....	D6/360
D902,613 S *	11/2020	Nardi .....	D6/360
D920,693 S *	6/2021	Urquiola .....	D6/375
D921,379 S *	6/2021	Li .....	D6/360
D921,380 S *	6/2021	Nardi .....	D6/360
D948,235 S *	4/2022	Sadove .....	D6/380
D953,048 S *	5/2022	Gori .....	D6/360

OTHER PUBLICATIONS

Steelcase Flex Perch Stool Hunts Office. [online] Retrieved Jul. 13, 22 from URL: <https://www.huntsoffice.co.uk/office-furniture/steelcase-flex-perch-stool> (Year: 2022).\*

\* cited by examiner

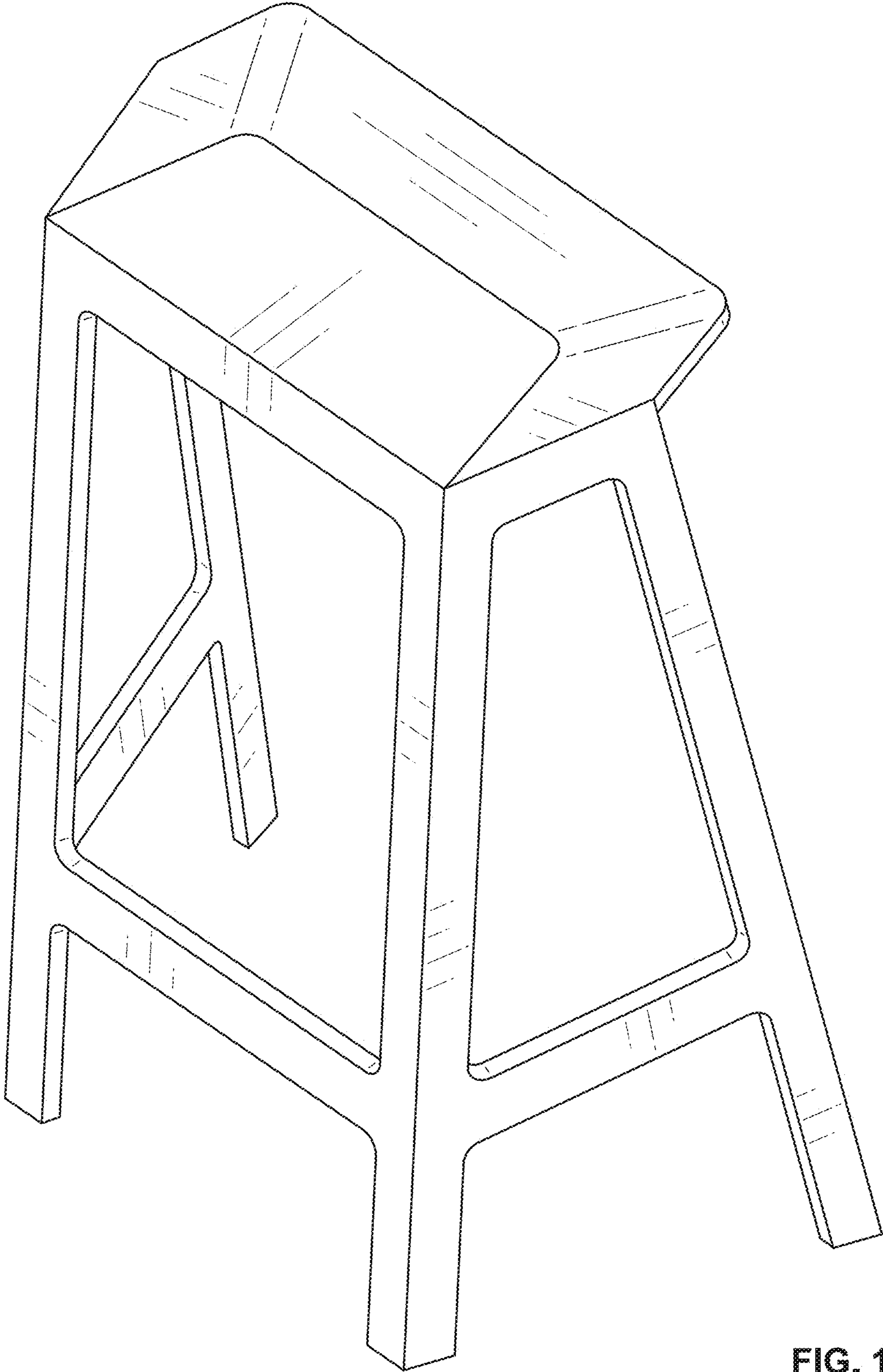


FIG. 1

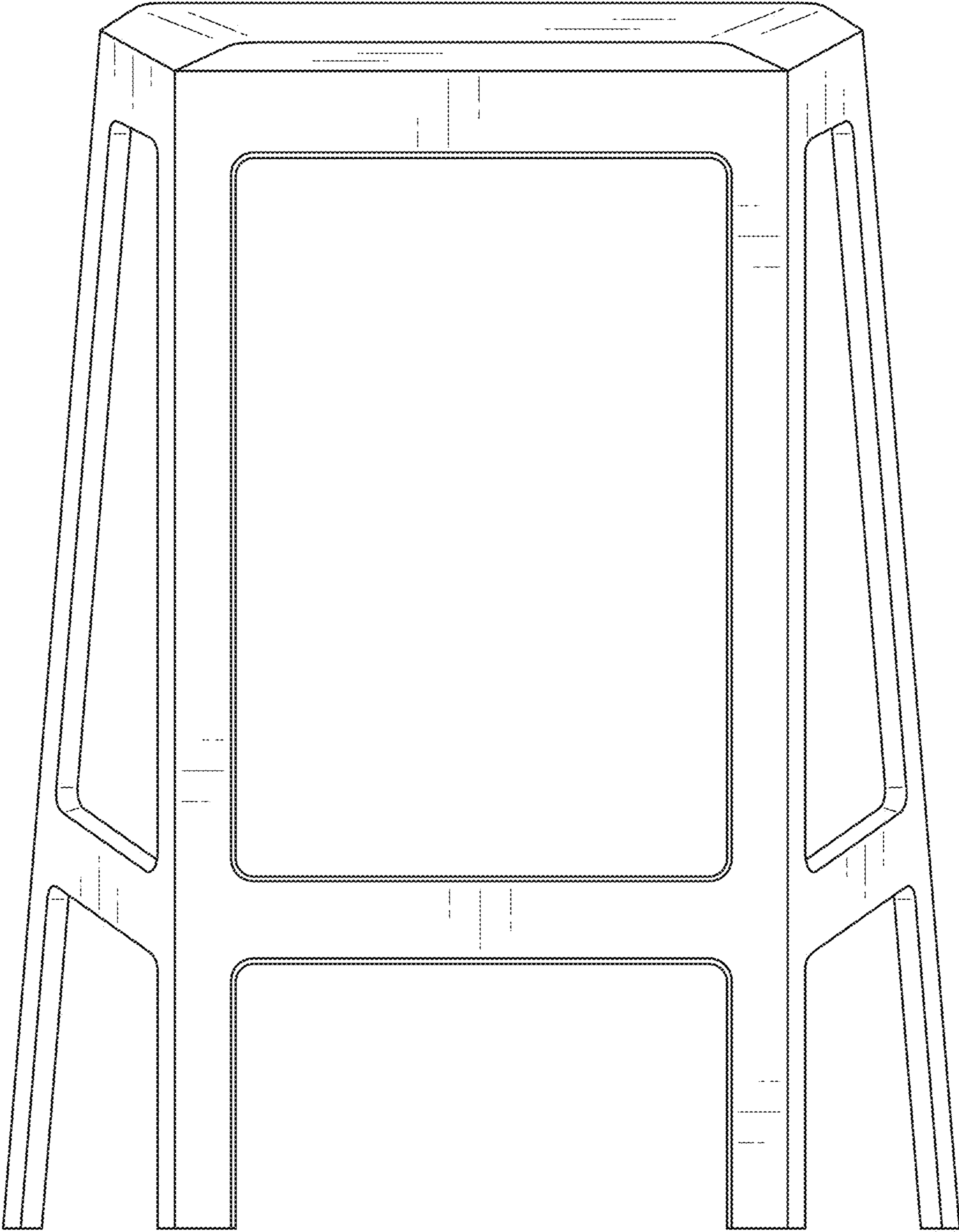


FIG. 2



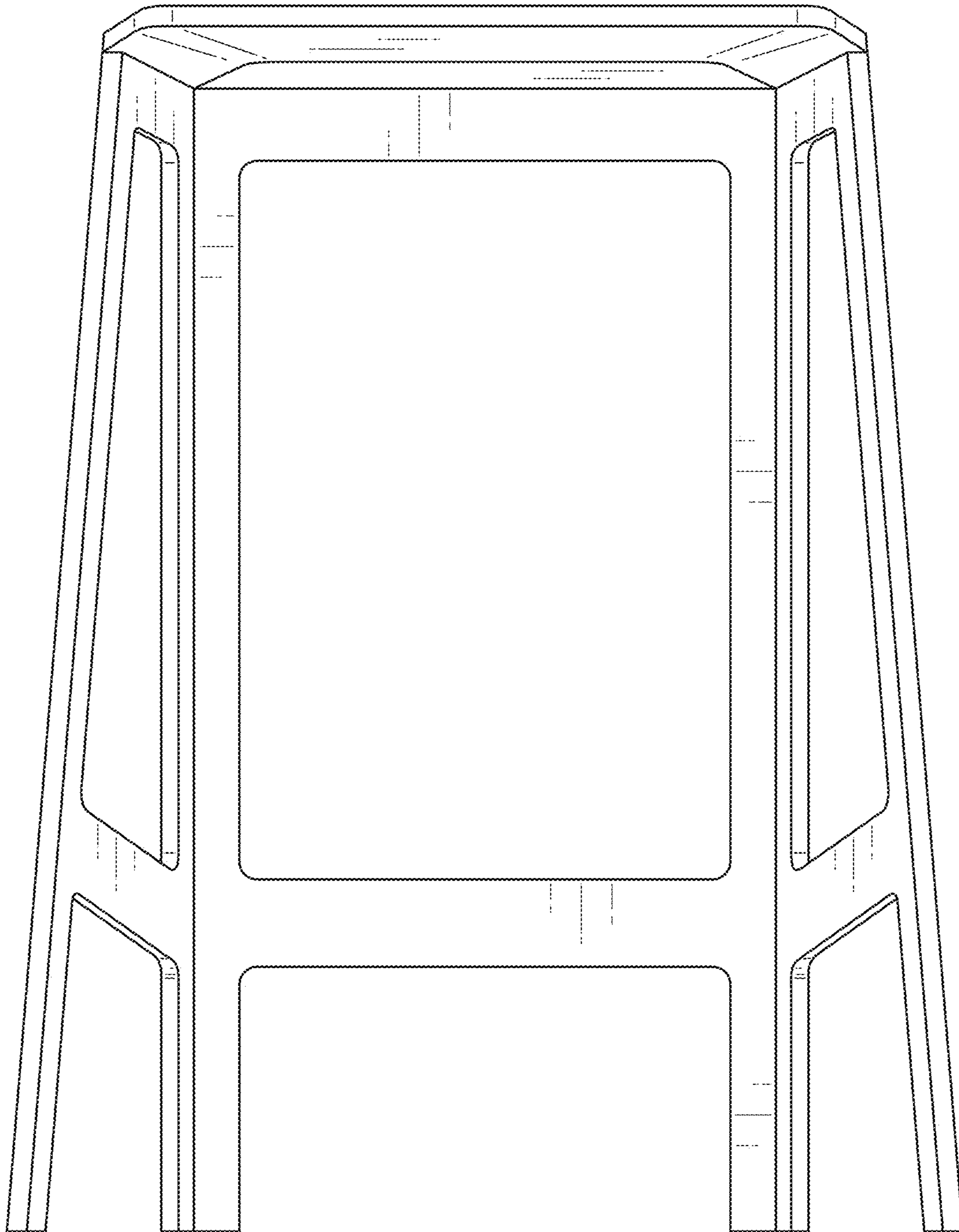


FIG. 3

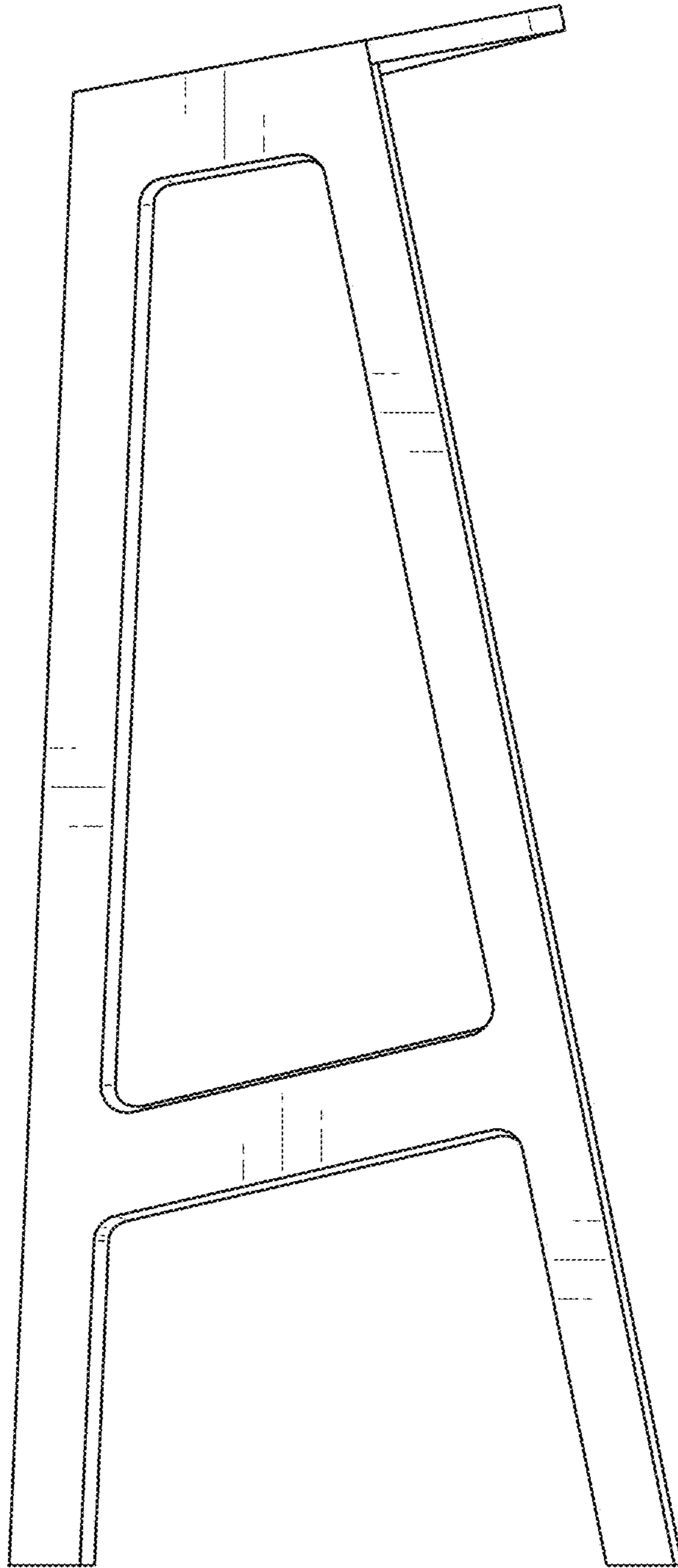


FIG. 4

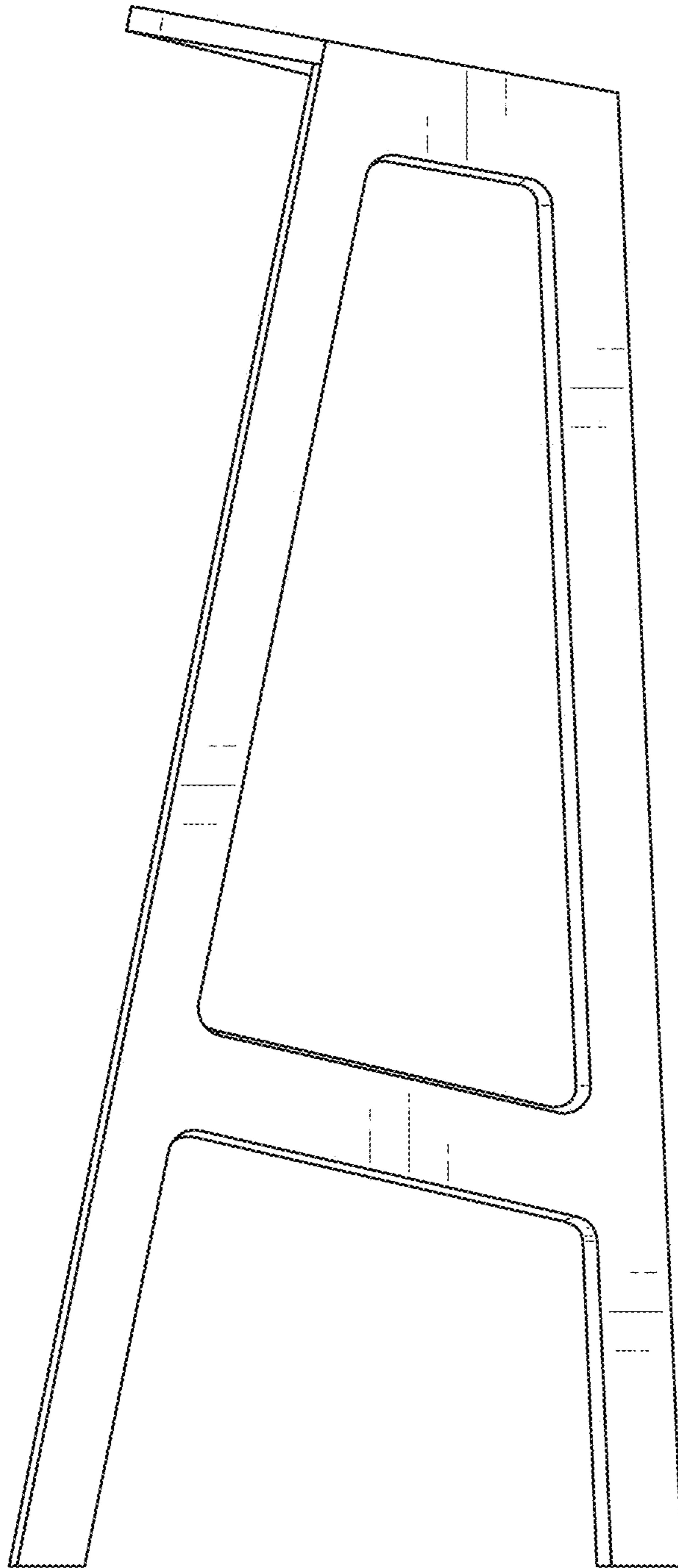


FIG. 5

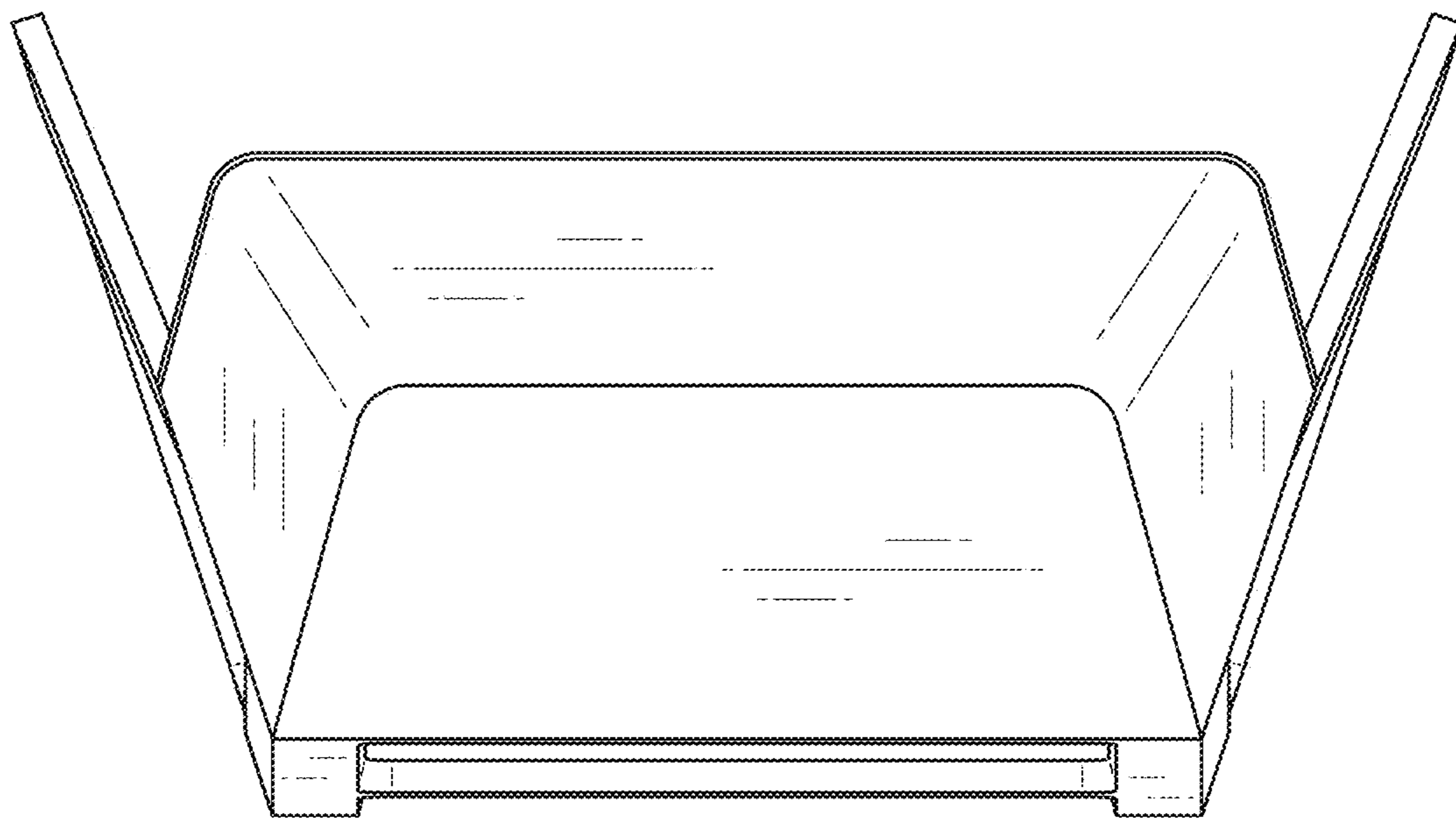


FIG. 6



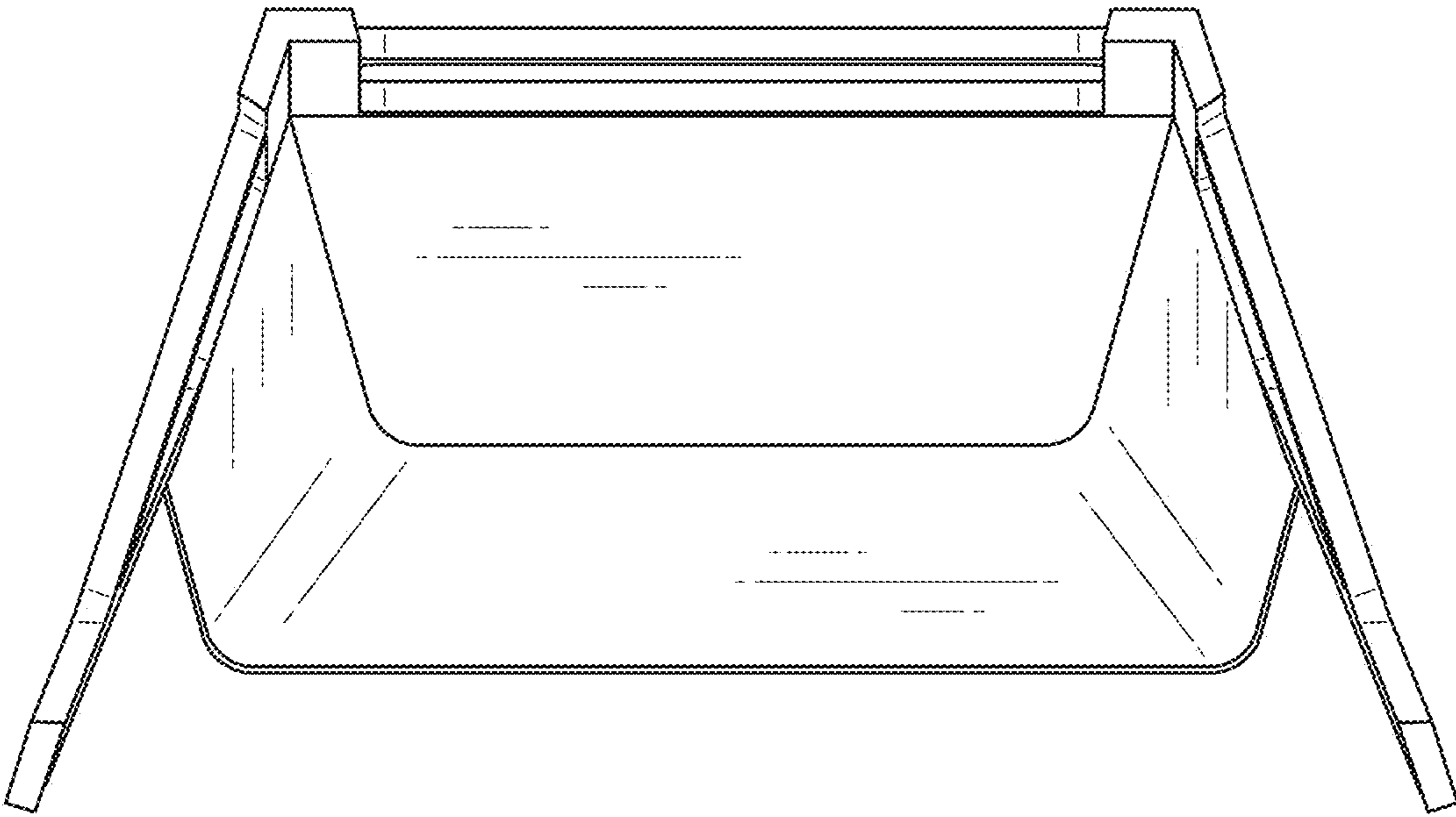


FIG. 7

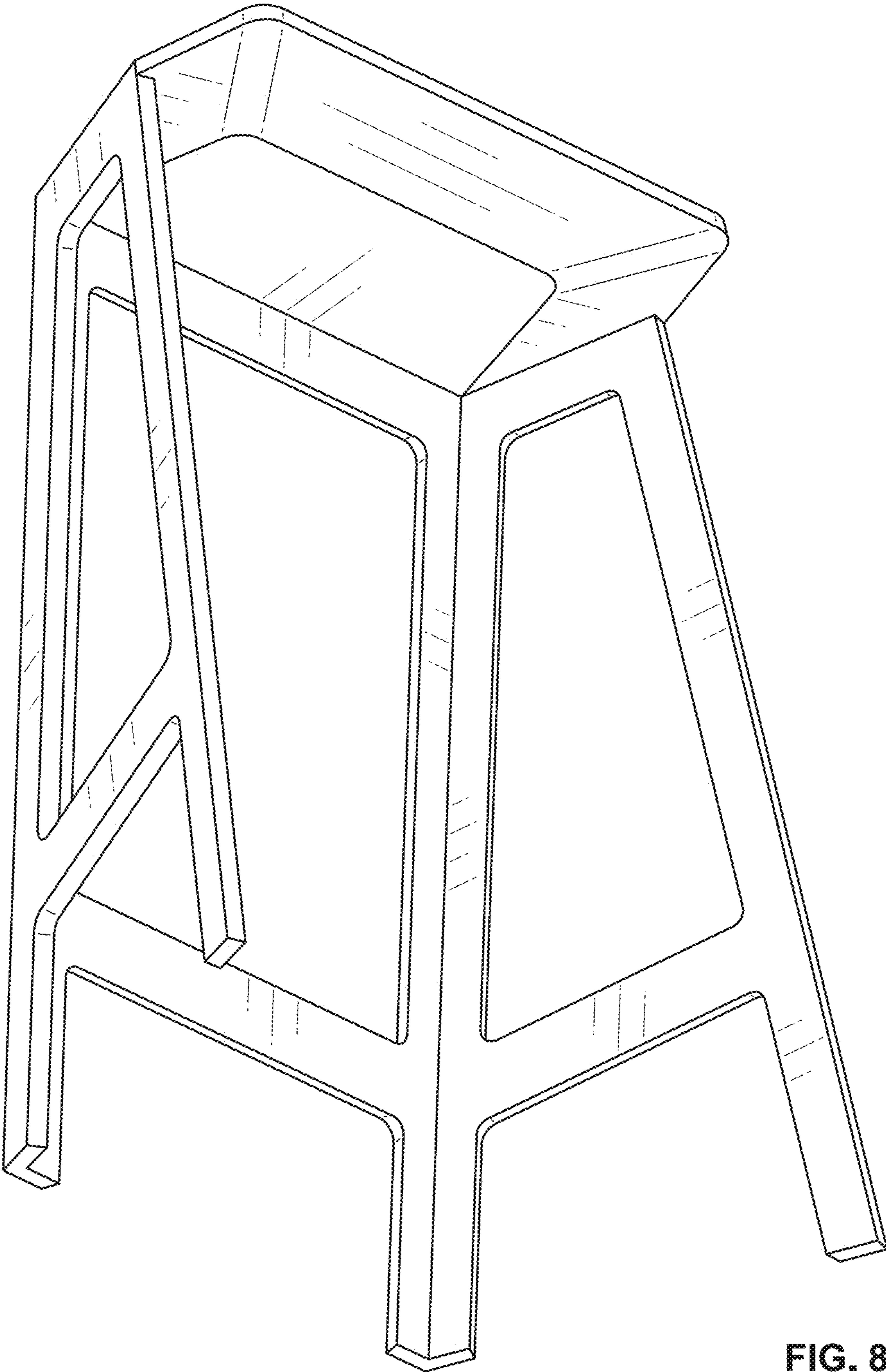


FIG. 8