



US00D972319S

(12) **United States Design Patent**
Maetzschke

(10) **Patent No.:** **US D972,319 S**

(45) **Date of Patent:** **** Dec. 13, 2022**

(54) **SOFA**

(71) Applicant: **Kai Maetzschke**, Dania Beach, FL
(US)

(72) Inventor: **Kai Maetzschke**, Dania Beach, FL
(US)

(**) Term: **15 Years**

(21) Appl. No.: **29/807,214**

(22) Filed: **Sep. 9, 2021**

Related U.S. Application Data

(63) Continuation-in-part of application No. 29/807,212,
filed on Sep. 9, 2021.

(51) **LOC (13) Cl.** **06-01**

(52) **U.S. Cl.**
USPC **D6/335**

(58) **Field of Classification Search**
USPC D6/334-347, 367, 369, 370, 371,
D6/373-375, 377, 378, 379, 381, 382,
D6/717

CPC A47C 7/18; A47C 7/22; A47C 7/24; A47C
7/54; A47C 7/541; A47C 7/543; A47C
7/546; A47C 17/02; A47C 17/04; A47C
15/002; A47C 5/043

See application file for complete search history.

(56) **References Cited**

U.S. PATENT DOCUMENTS

- D188,318 S * 7/1960 Niederman D6/335
- 4,077,666 A * 3/1978 Heumann A47C 13/005
D6/377
- D253,326 S * 11/1979 Brukoff D6/377
- D297,983 S * 10/1988 Friedman D6/381
- D327,986 S * 7/1992 Gera D6/381
- D487,998 S * 4/2004 Natuzzi D6/381
- D488,315 S * 4/2004 Natuzzi D6/377

- D489,544 S * 5/2004 Nastri D6/377
- D494,376 S * 8/2004 Natuzzi D6/381
- D498,941 S * 11/2004 Ricci D6/377
- D499,264 S * 12/2004 Ricci D6/377
- D600,467 S * 9/2009 Natuzzi D6/381
- D859,874 S * 9/2019 Lipparini D6/381
- D941,045 S * 1/2022 Radonjanin-Stojmirova
D6/381
- D948,234 S * 4/2022 Højfeldt D6/377

FOREIGN PATENT DOCUMENTS

WO DM/210105 9/2020

OTHER PUBLICATIONS

Leather Sectional Sofa Malibu U Shape, available in sofadreams.com, site visited Aug. 8, 2022, URL:https://www.sofadreams.com/leather-sectional-sofas/leather-sectional-sofa-malibu-u-shape.html (Year: 2022).*

* cited by examiner

Primary Examiner — Mary Ann Calabrese

Assistant Examiner — Mark David Wolfley

(57) **CLAIM**

The ornamental design for a sofa, as shown and described.

DESCRIPTION

FIG. 1 is a top front perspective view of a sofa showing my new design;

FIG. 2 is a bottom rear perspective view thereof;

FIG. 3 is a front elevational view thereof;

FIG. 4 is a rear elevational view thereof;

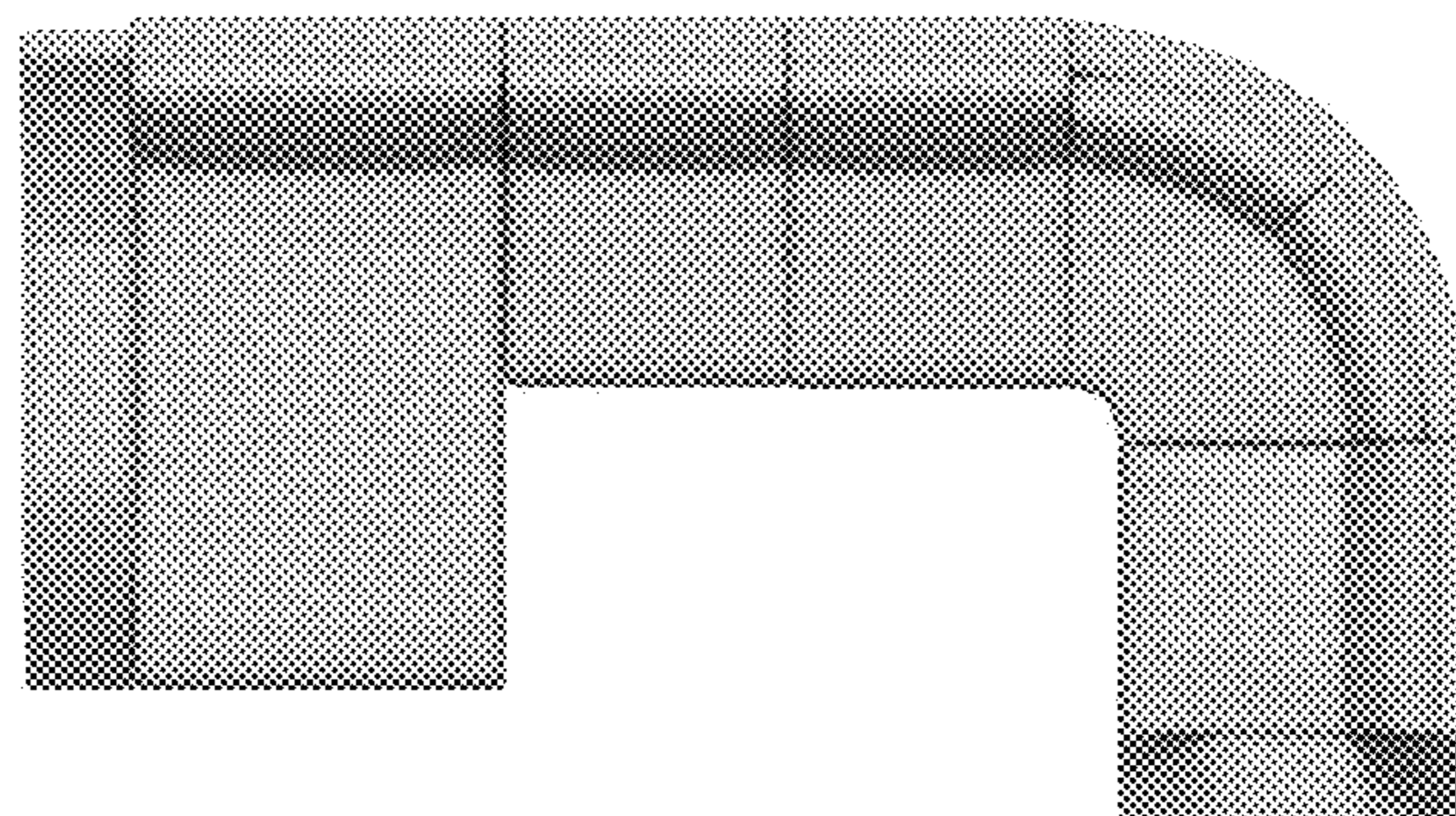
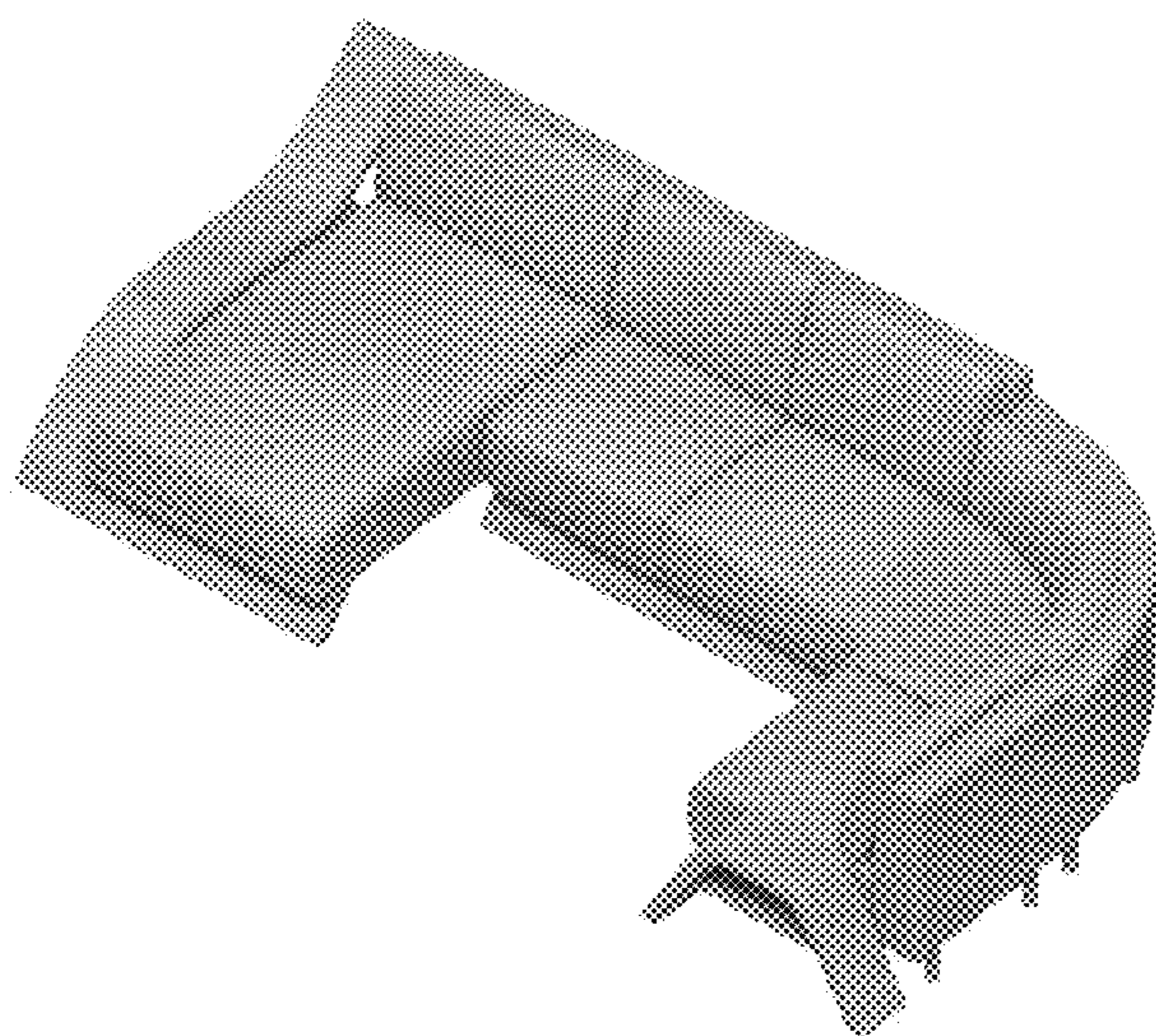
FIG. 5 is a top plan view thereof;

FIG. 6 is a bottom plan view thereof;

FIG. 7 is a left elevational view thereof; and,

FIG. 8 is a right elevational view thereof.

1 Claim, 8 Drawing Sheets



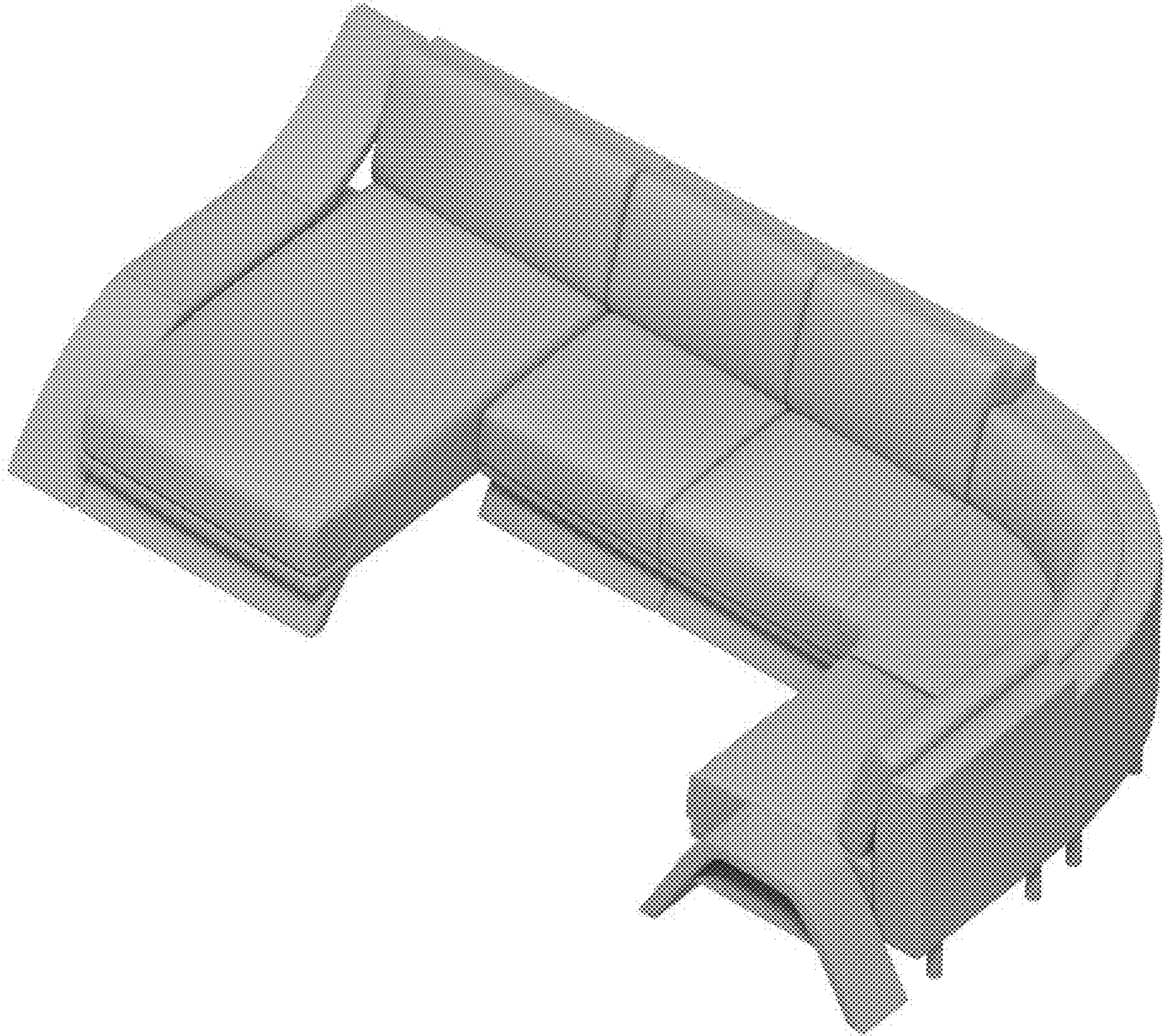


FIG. 1

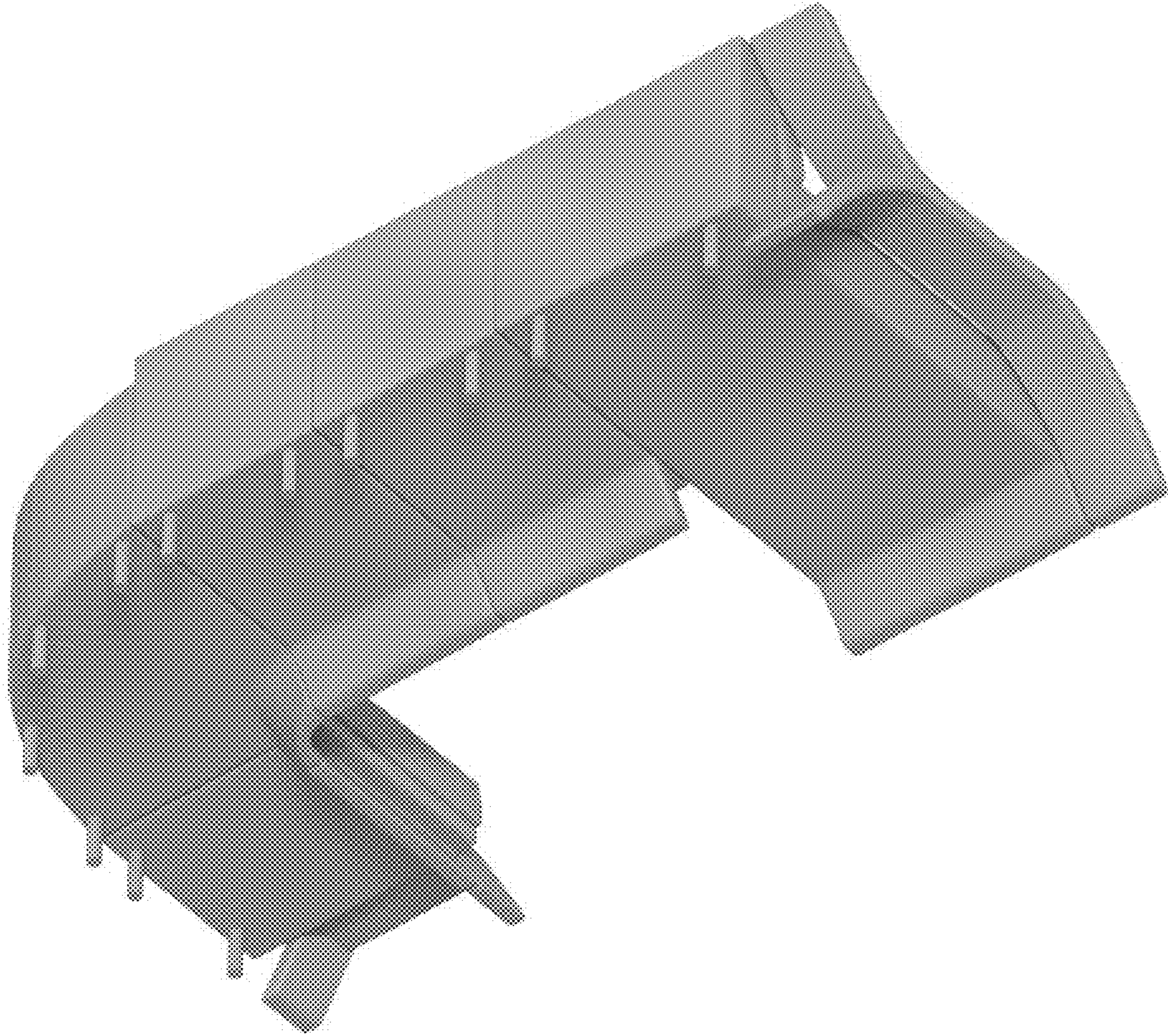


FIG. 2

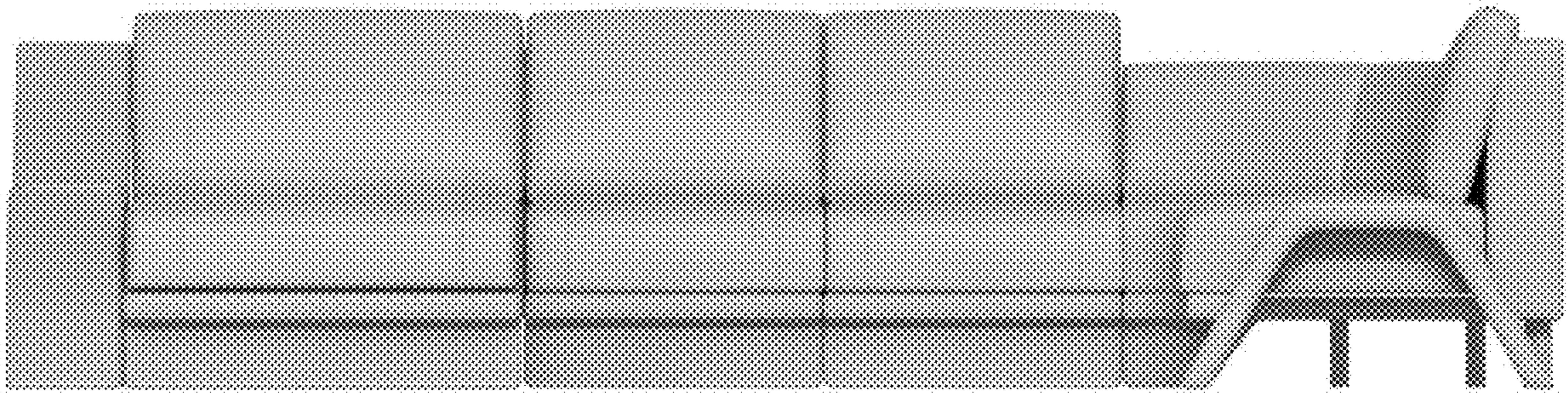


FIG. 3

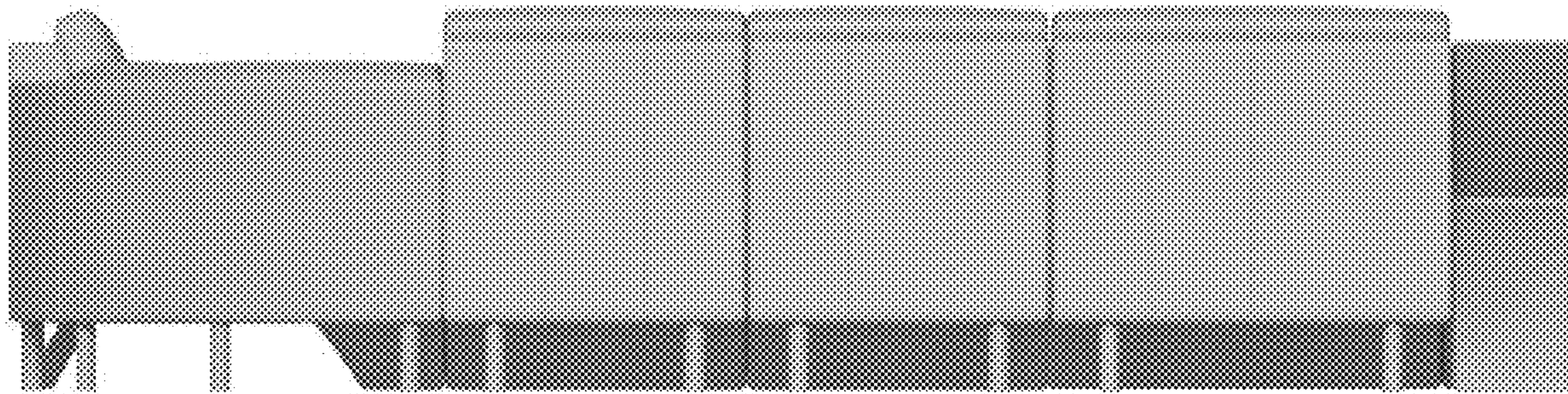


FIG. 4

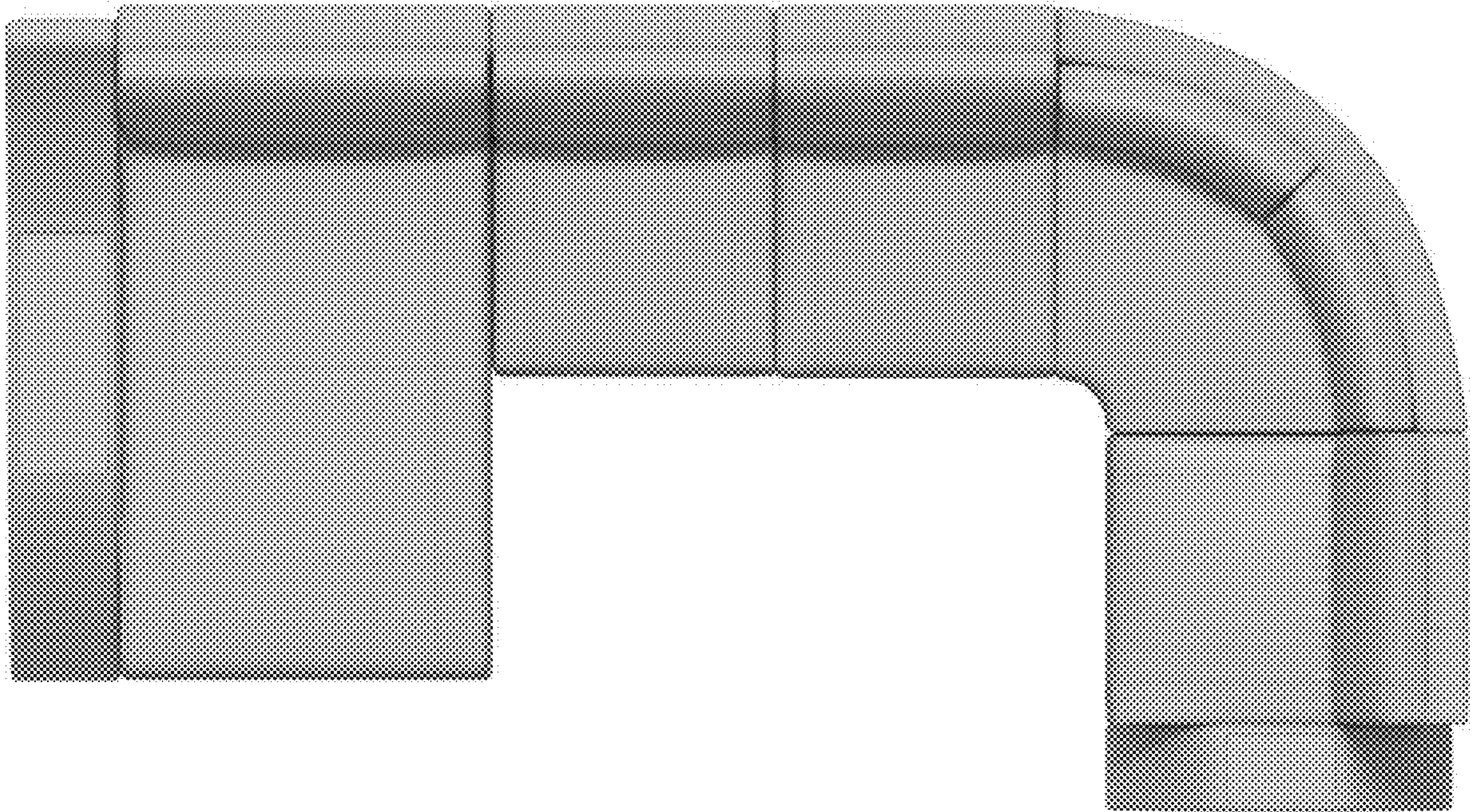


FIG. 5

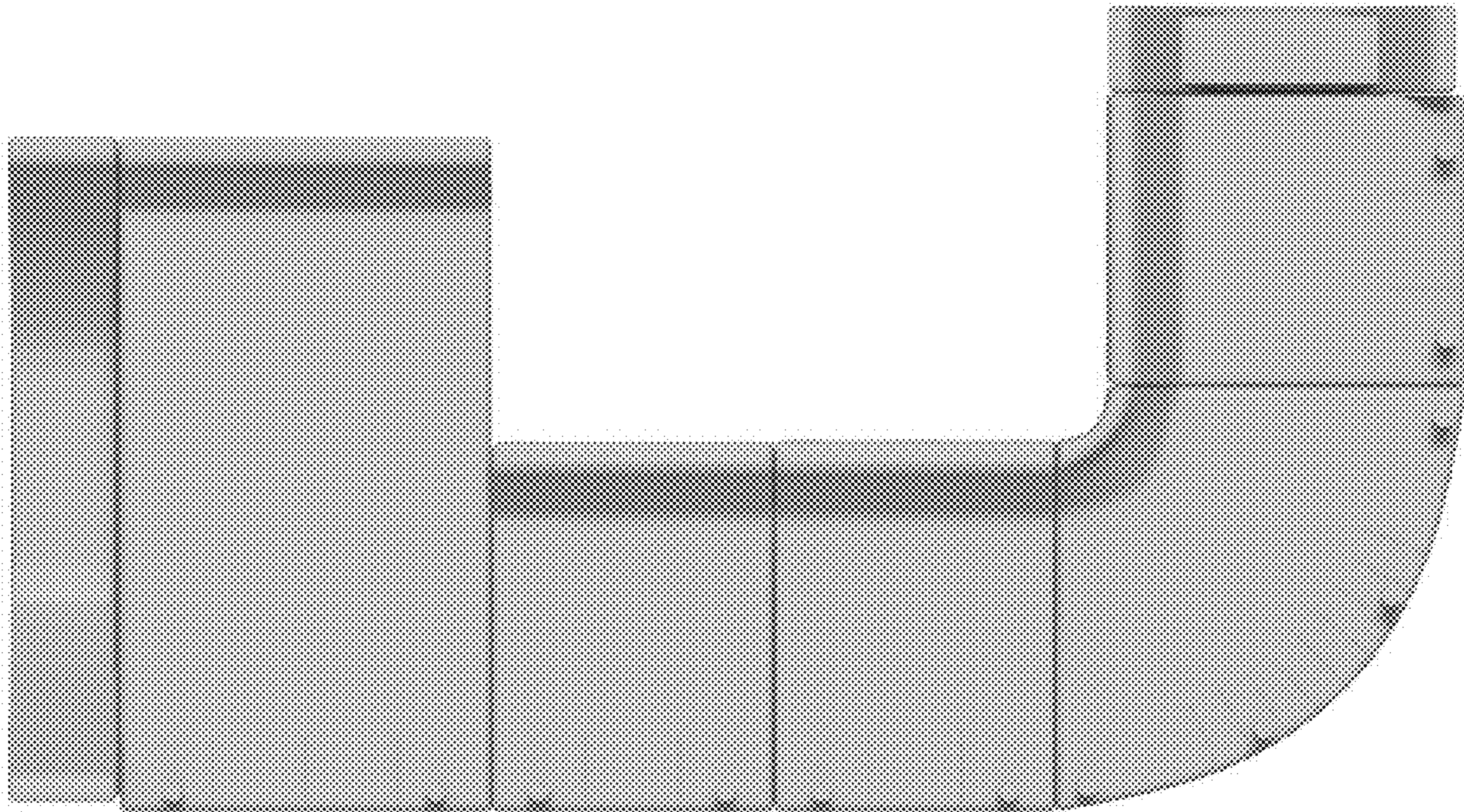


FIG. 6

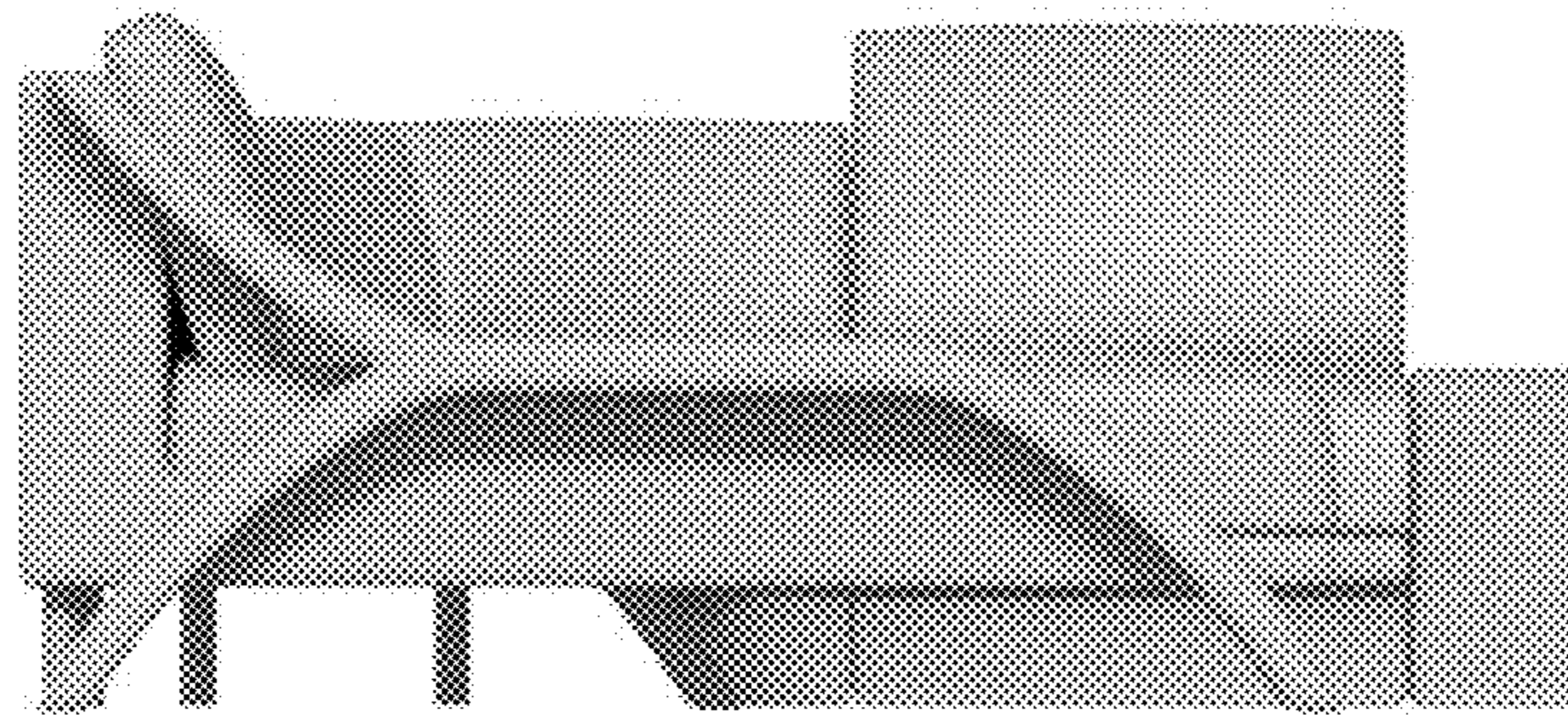


FIG. 7

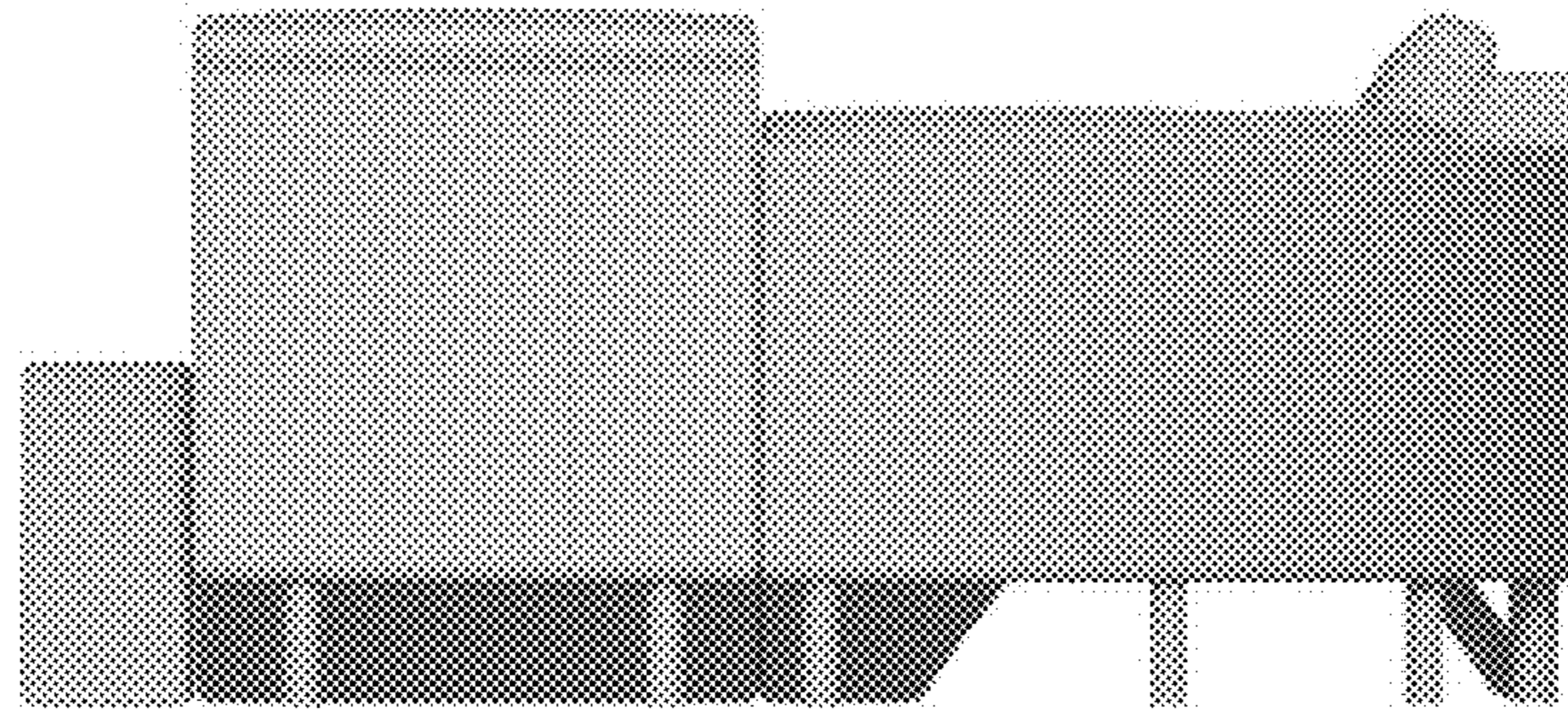


FIG. 8