



US00D972318S

(12) **United States Design Patent** (10) **Patent No.:** **US D972,318 S**  
**Maetzschke** (45) **Date of Patent:** **\*\* Dec. 13, 2022**

- (54) **SOFA**
- (71) Applicant: **Kai Maetzschke**, Dania Beach, FL (US)
- (72) Inventor: **Kai Maetzschke**, Dania Beach, FL (US)
- (\*\*) Term: **15 Years**
- (21) Appl. No.: **29/807,212**
- (22) Filed: **Sep. 9, 2021**
- (51) **LOC (13) Cl.** ..... **06-01**
- (52) **U.S. Cl.**  
USPC ..... **D6/335**
- (58) **Field of Classification Search**  
USPC ..... D6/334-347, 367, 369, 370, 371, D6/373-375, 377, 378, 379, 381, 382, D6/717  
CPC .... A47C 7/18; A47C 7/22; A47C 7/24; A47C 7/54; A47C 7/541; A47C 7/543; A47C 7/546; A47C 17/02; A47C 17/04; A47C 15/002; A47C 5/043  
See application file for complete search history.

- D499,264 S \* 12/2004 Ricci ..... D6/377
- D600,467 S \* 9/2009 Natuzzi ..... D6/381
- D859,874 S \* 9/2019 Lipparini ..... D6/381
- D941,045 S \* 1/2022 Radonjanin-Stojmirova ..... D6/381
- D948,234 S \* 4/2022 Højfeldt ..... D6/377

FOREIGN PATENT DOCUMENTS

WO DM/210105 9/2020

OTHER PUBLICATIONS

Design # 304740174, App. Date Apr. 4, 2018, Country code CN, Publication date Jul. 24, 2018, Owner name Yang jianhong, Creator Yang Jiangong (Year: 2018).\*  
Leather Sectional Sofa Malibu L Shape, available in sofadreams.com, site visited Aug. 8, 2022, URL:https://www.sofadreams.com/leather-sectional-sofas/leather-sectional-sofa-malibu-l-shape.html (Year: 2022).\*

\* cited by examiner

*Primary Examiner* — Mary Ann Calabrese  
*Assistant Examiner* — Mark David Wolfley

(57) **CLAIM**

The ornamental design for a sofa, as shown and described.

**DESCRIPTION**

FIG. 1 is a top front perspective view of a sofa showing my new design;  
FIG. 2 is a bottom rear perspective view thereof;  
FIG. 3 is a front elevational view thereof;  
FIG. 4 is a rear elevational view thereof;  
FIG. 5 is a top plan view thereof;  
FIG. 6 is a bottom plan view thereof;  
FIG. 7 is a left elevational view thereof; and,  
FIG. 8 is a right elevational view thereof.

**1 Claim, 8 Drawing Sheets**

- (56) **References Cited**  
U.S. PATENT DOCUMENTS  
D188,318 S \* 7/1960 Niederman ..... D6/335  
4,077,666 A \* 3/1978 Heumann ..... A47C 13/005 D6/377  
D253,326 S \* 11/1979 Brukoff ..... D6/377  
D297,983 S \* 10/1988 Friedman ..... D6/381  
D327,986 S \* 7/1992 Gera ..... D6/381  
D487,998 S \* 4/2004 Natuzzi ..... D6/381  
D488,315 S \* 4/2004 Natuzzi ..... D6/377  
D489,544 S \* 5/2004 Nastri ..... D6/377  
D494,376 S \* 8/2004 Natuzzi ..... D6/381  
D498,941 S \* 11/2004 Ricci ..... D6/377

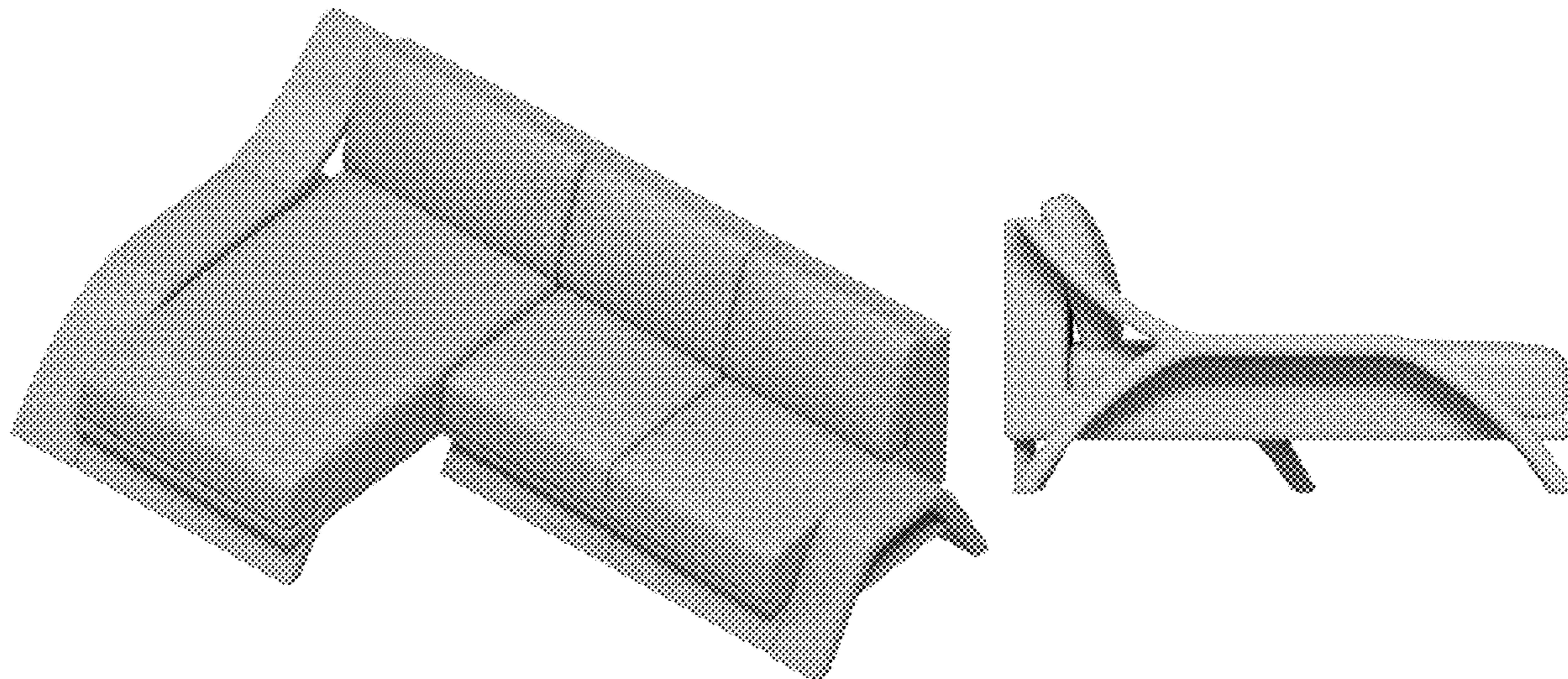




FIG. 1

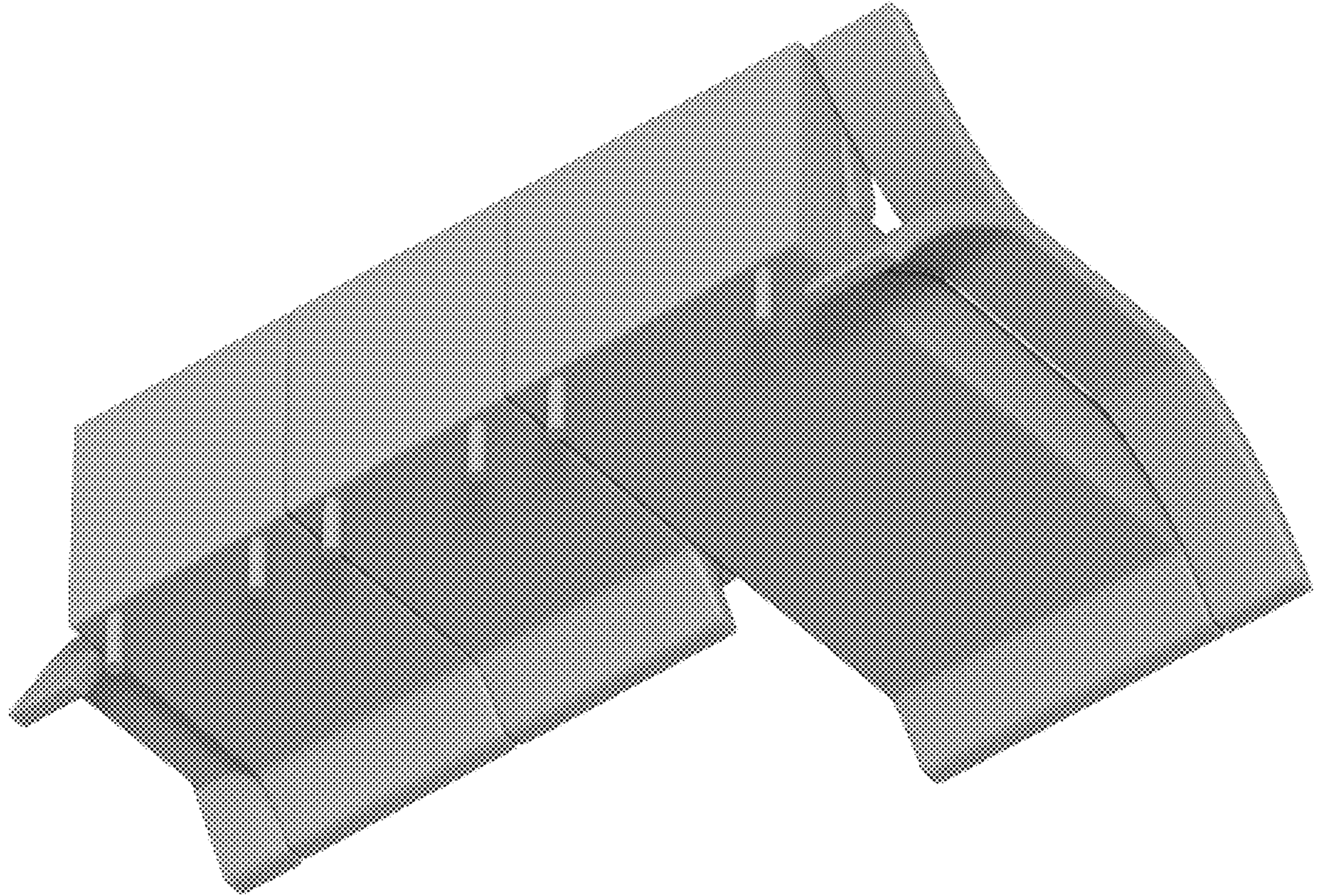


FIG. 2

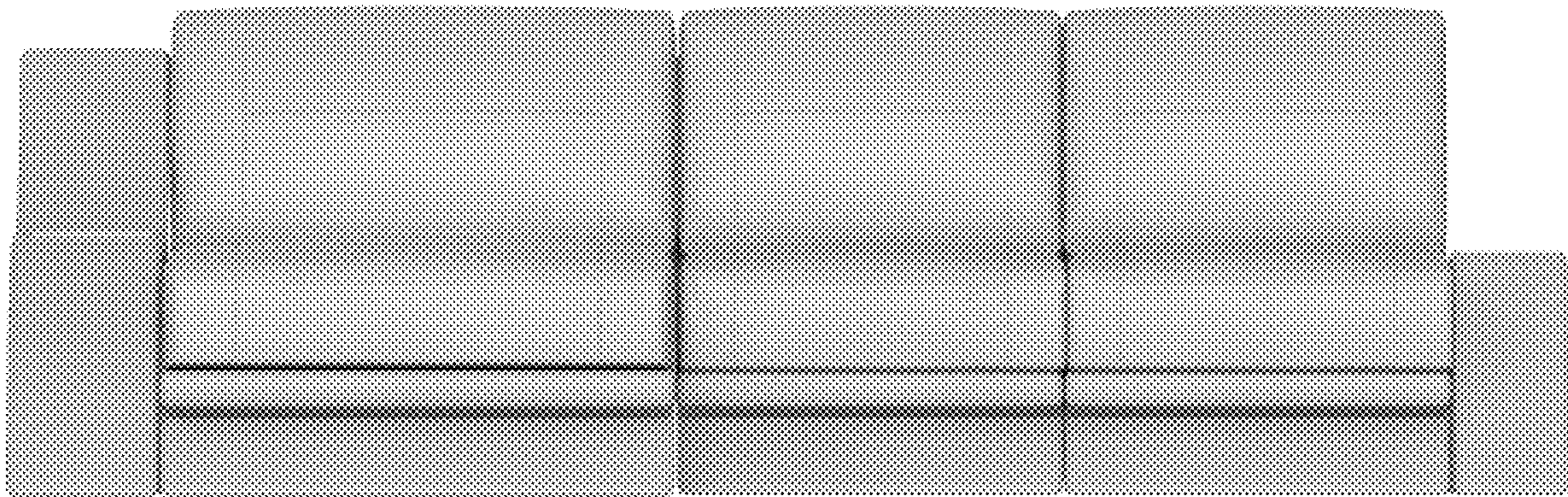


FIG. 3

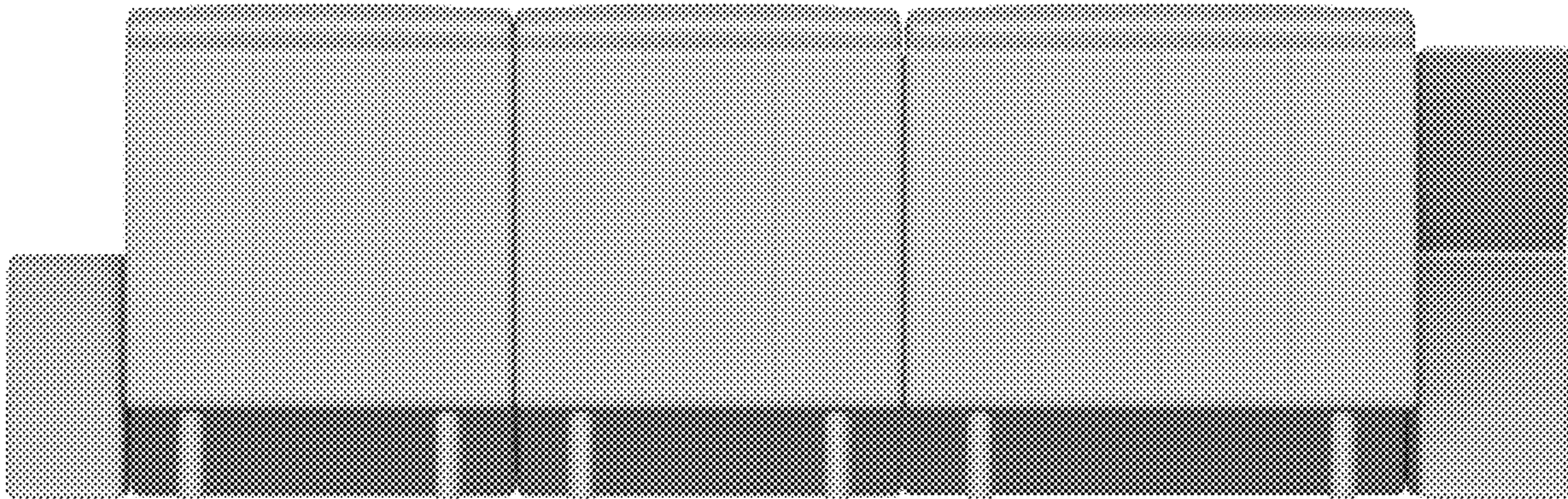


FIG. 4

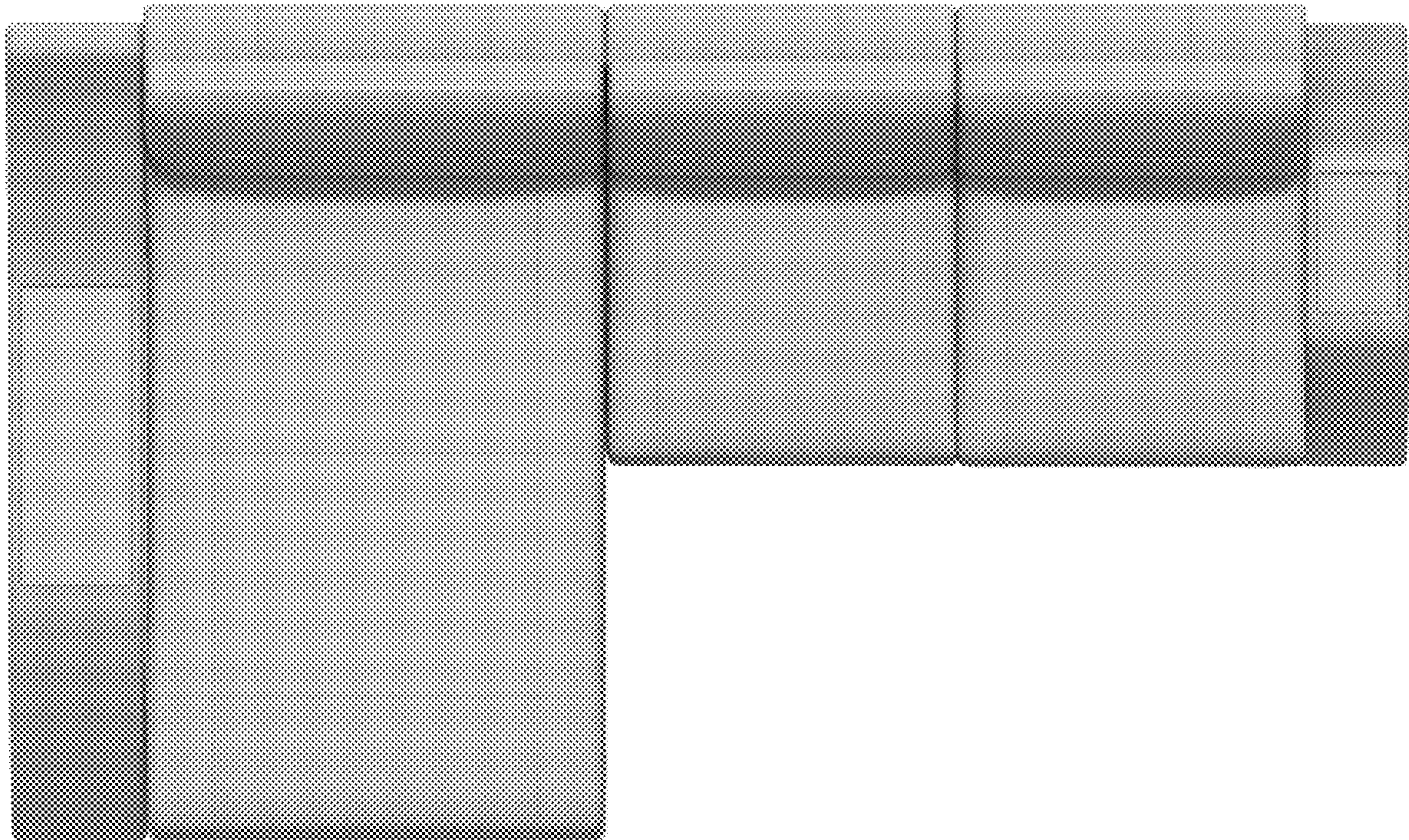


FIG. 5

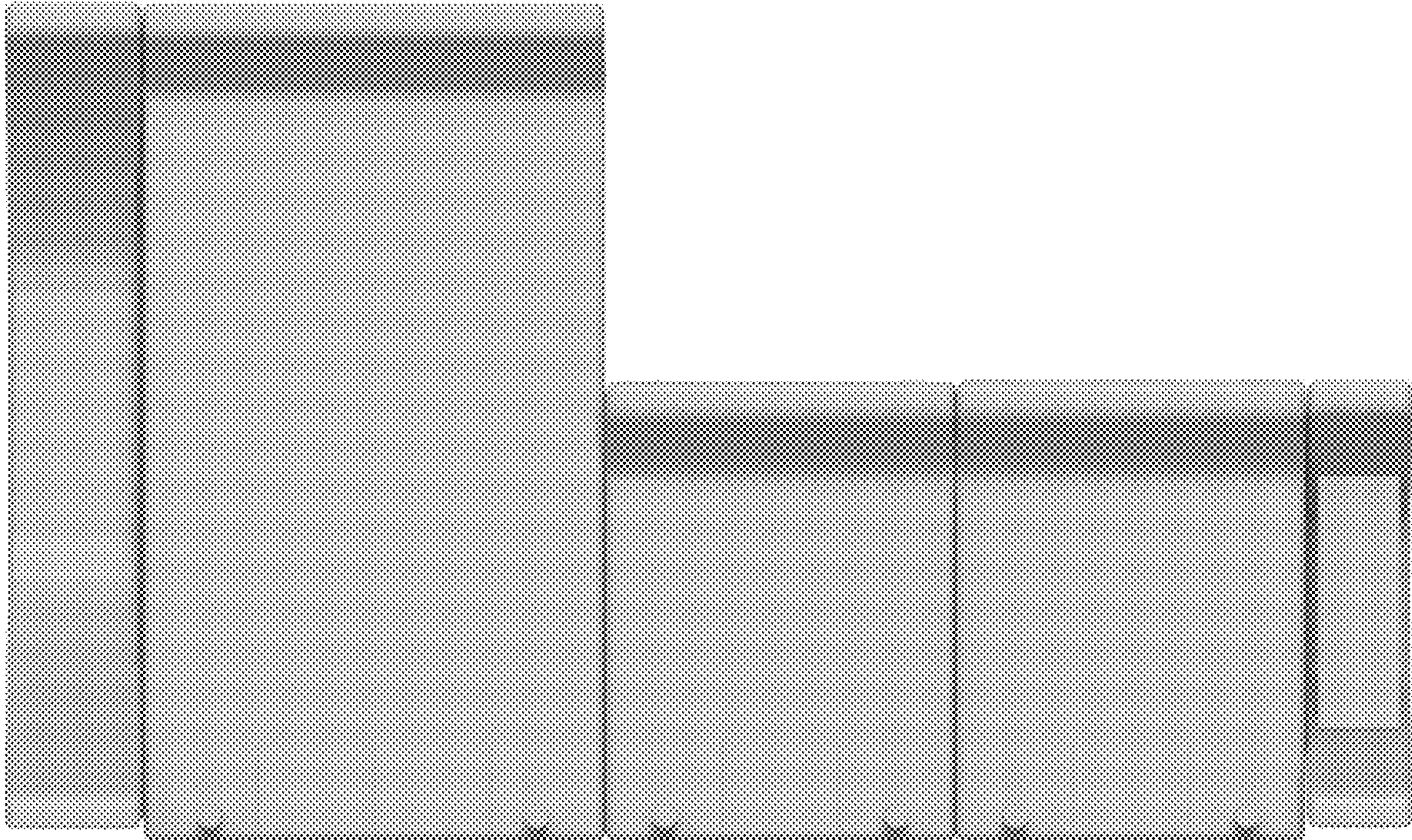


FIG. 6

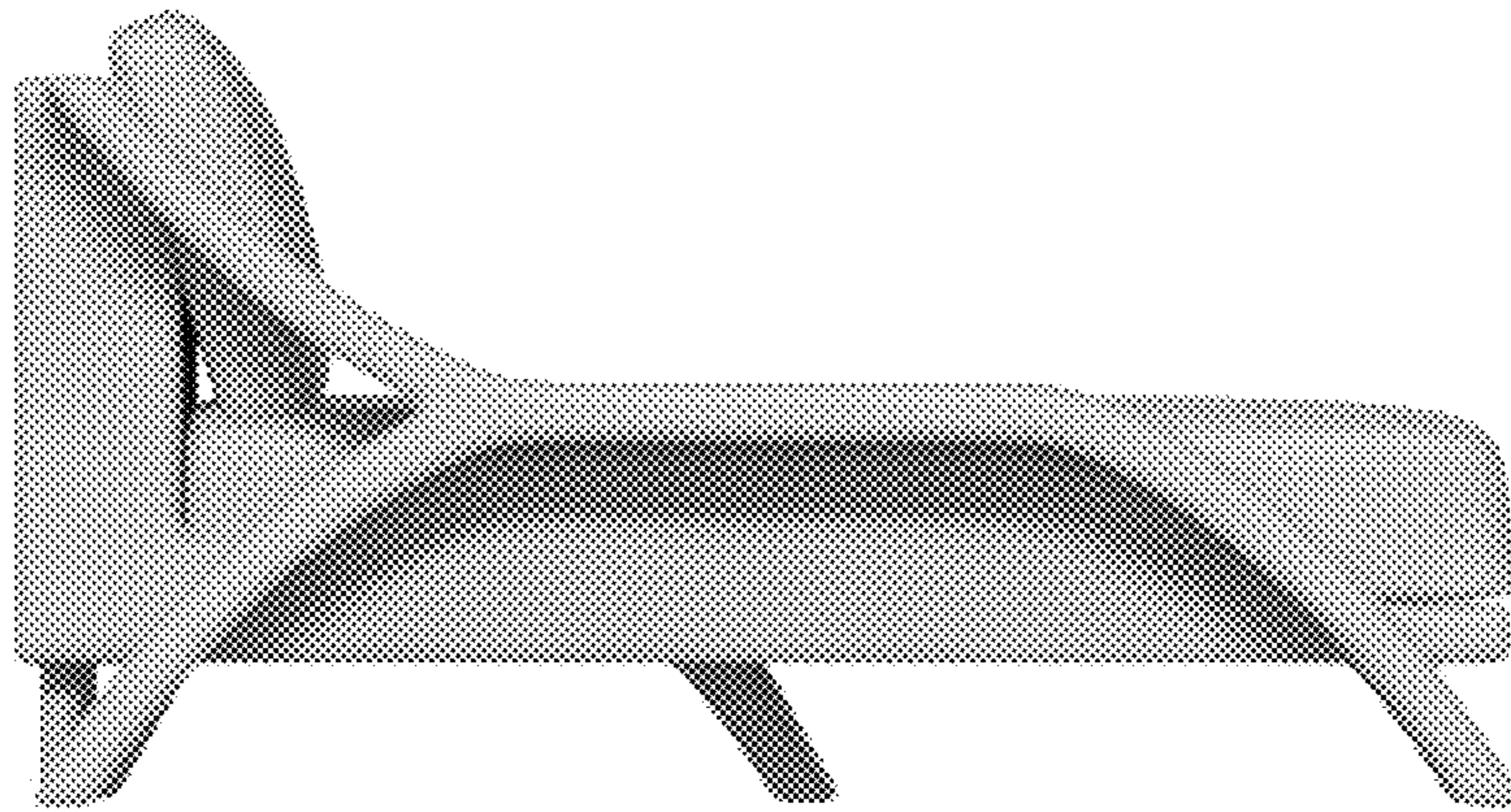


FIG. 7



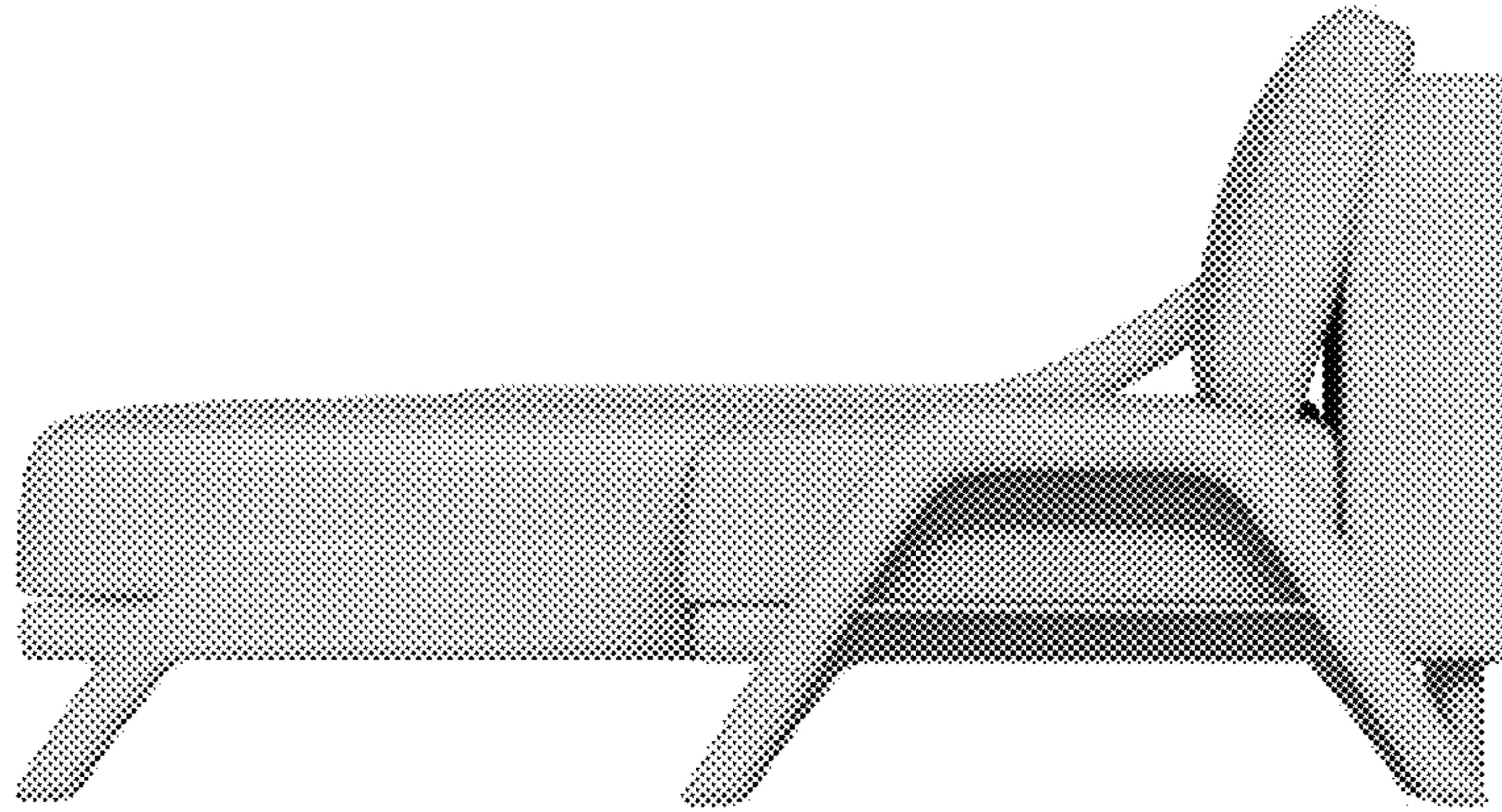


FIG. 8