



US00D972317S

(12) **United States Design Patent**  
**Crawford**

(10) **Patent No.:** **US D972,317 S**

(45) **Date of Patent:** **\*\* Dec. 13, 2022**

(54) **SCREEN**

(71) Applicant: **Senator International Limited,**  
Accrington (GB)

(72) Inventor: **Jon Crawford,** Accrington (GB)

(\*\*) Term: **15 Years**

(21) Appl. No.: **29/712,317**

(22) Filed: **Nov. 7, 2019**

**Related U.S. Application Data**

(62) Division of application No. 29/655,153, filed on Jun. 29, 2018, now abandoned.

(51) **LOC (13) Cl.** ..... **06-06**

(52) **U.S. Cl.**  
USPC ..... **D6/332**

(58) **Field of Classification Search**

USPC ..... D6/653.14, 653.21, 654.14, 654.21,  
D6/655.14, 655.21, 656.16, 688.14,  
D6/688.26, 688.27, 691.5, 695.3, 696.2,  
D6/708.22, 708.23, 710, 711

CPC ..... A47B 2200/01; A47B 2200/12; A47B  
2200/0071; A47B 2220/0058; A47B  
2220/13; A47B 83/001; A47B 91/02;  
A47B 91/022; A47B 91/024; A47B  
91/026; A47B 91/028; A47B 91/16; A47B  
2200/0027; A47B 2200/003; A47B  
2200/0033; E04F 10/04; E04H 1/125;  
E04B 2/7416; E04B 2/7422; E04B  
2/7427; E04B 2/7433; A47G 5/00

See application file for complete search history.

(56) **References Cited**

**U.S. PATENT DOCUMENTS**

7,032,523 B2 \* 4/2006 Forslund, III ..... A47B 21/00  
108/50.01  
10,159,342 B2 \* 12/2018 Gaschy ..... E04B 2/7401

10,233,659 B1 \* 3/2019 Holdredge ..... A47B 5/00  
10,779,647 B2 \* 9/2020 Amit ..... F21V 23/0442  
D915,780 S \* 4/2021 Clarke ..... D6/337  
2006/0119233 A1 \* 6/2006 Thomas ..... A47B 21/00  
312/235.9

\* cited by examiner

*Primary Examiner* — Michael A. Pratt

(74) *Attorney, Agent, or Firm* — Florek & Endres PLLC

(57) **CLAIM**

I claim the ornamental design for a screen, as shown and described.

**DESCRIPTION**

FIG. 1 is a perspective view of an embodiment of the screen of the present invention.

FIG. 2 is a first side elevation of the screen of FIG. 1.

FIG. 3 is a second side elevation of the screen of FIG. 1.

FIG. 4 is a first end elevation of the screen of FIG. 1.

FIG. 5 is a second end elevation of the screen of FIG. 1.

FIG. 6 is a top view of the screen of FIG. 1.

FIG. 7 is a bottom view of the screen of FIG. 1.

FIG. 8 is a perspective view of an embodiment of the screen of the present invention.

FIG. 9 is a first side elevation of the screen of FIG. 8.

FIG. 10 is a second side elevation of the screen of FIG. 8.

FIG. 11 is a first end elevation of the screen of FIG. 8.

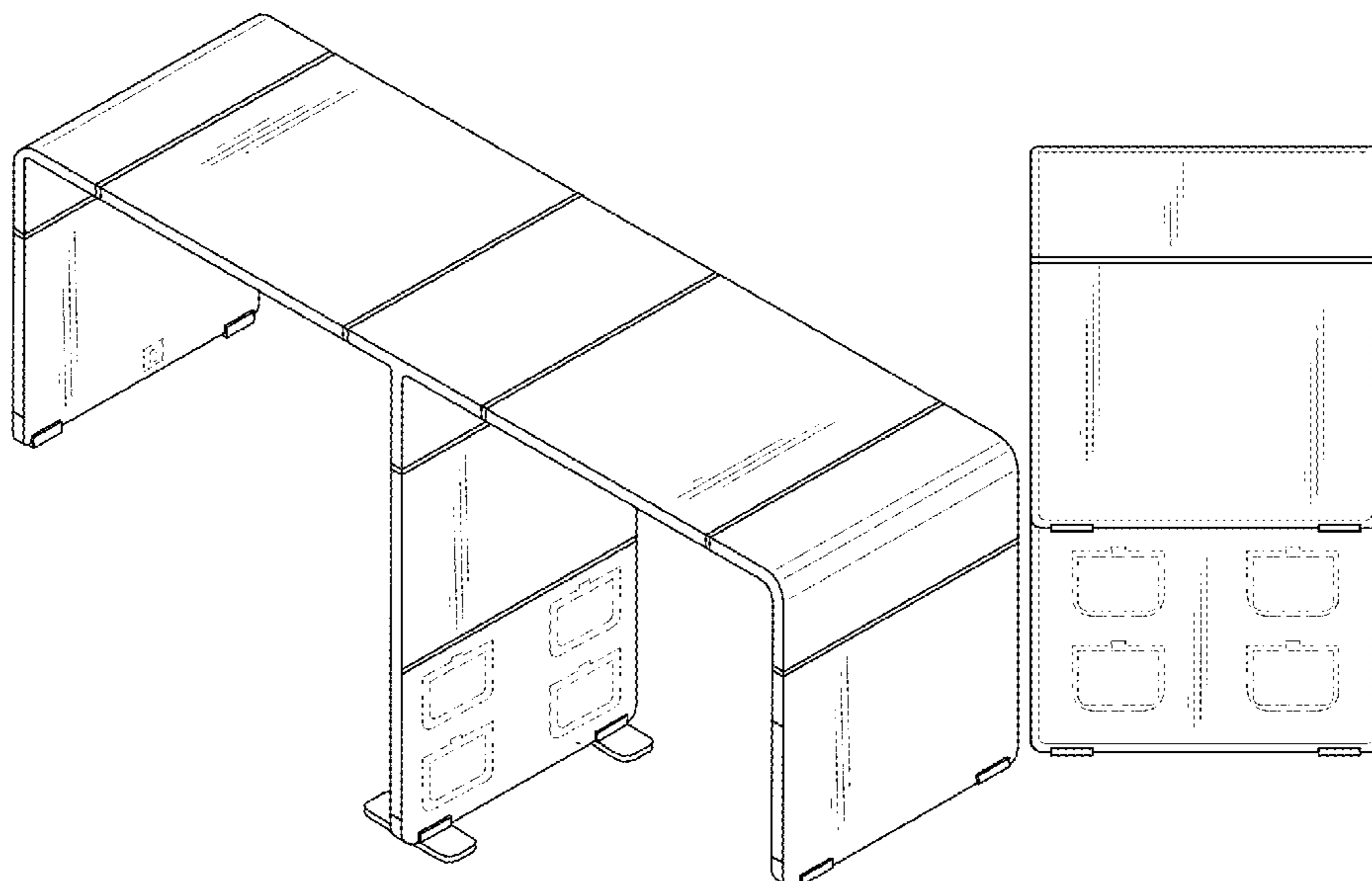
FIG. 12 is a second end elevation of the screen of FIG. 8.

FIG. 13 is a top view of the screen of FIG. 8; and,

FIG. 14 is a bottom view of the screen of FIG. 8.

The broken lines of the drawings form no part of the claimed design.

**1 Claim, 7 Drawing Sheets**



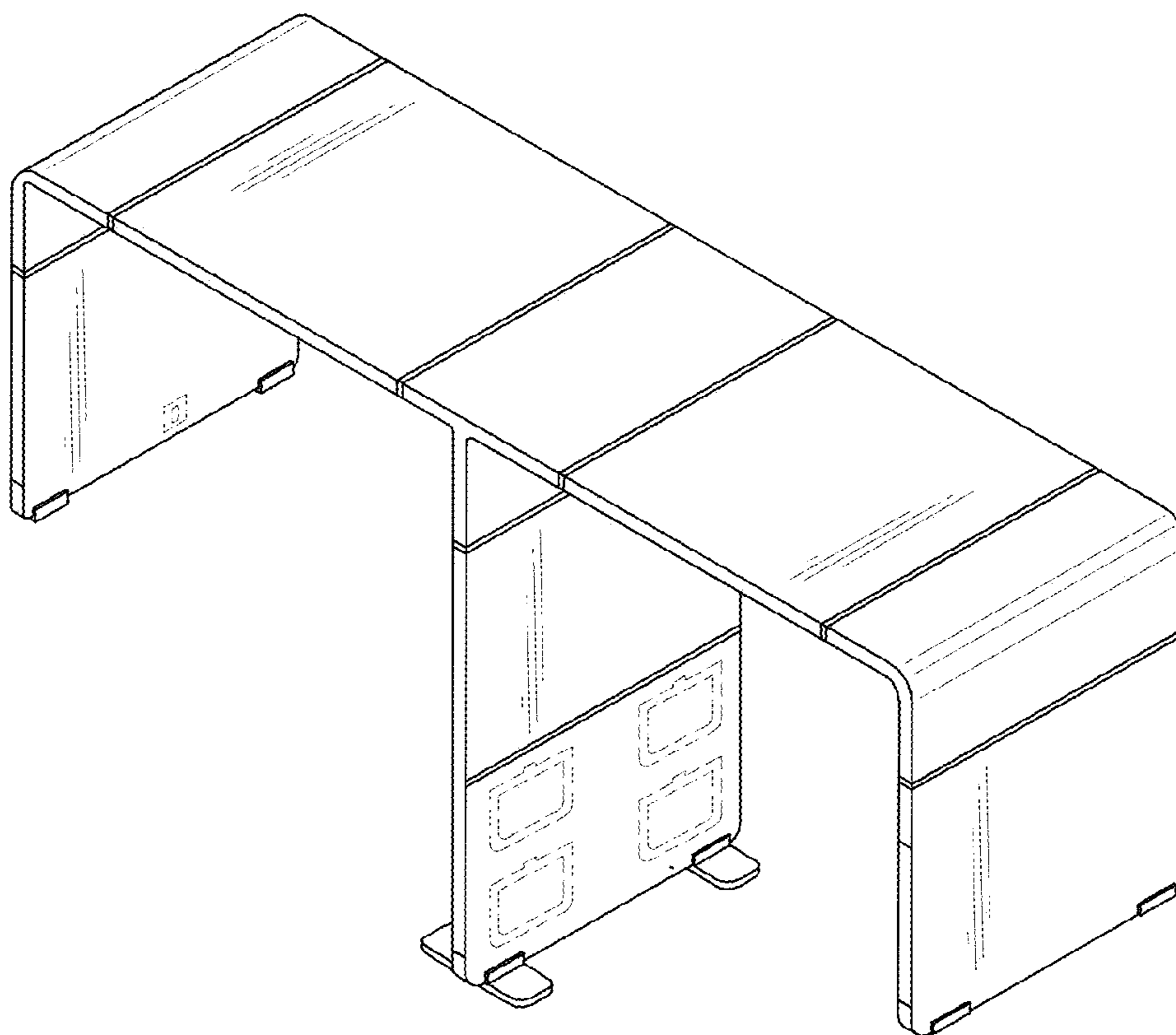


FIG. 1

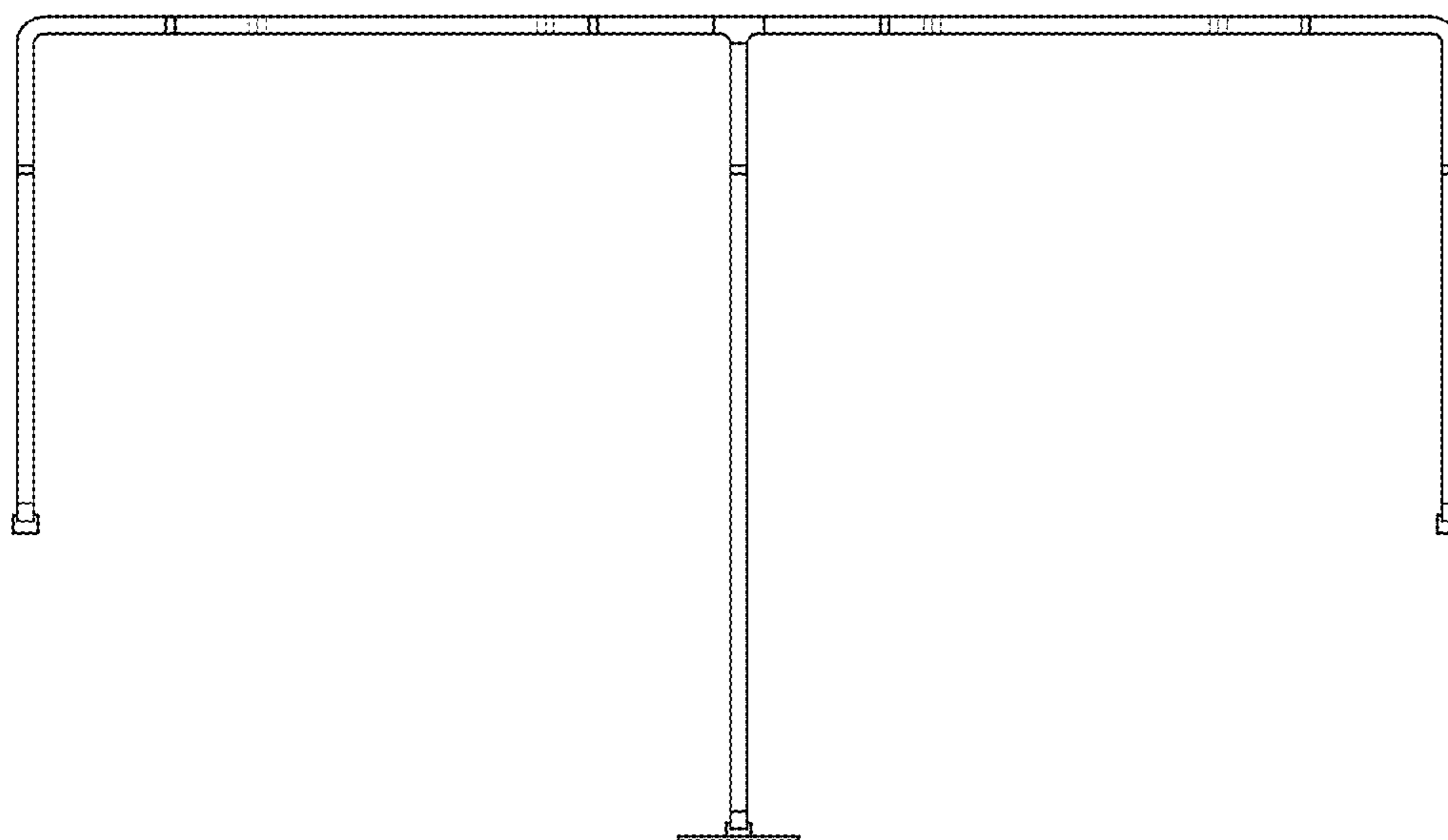
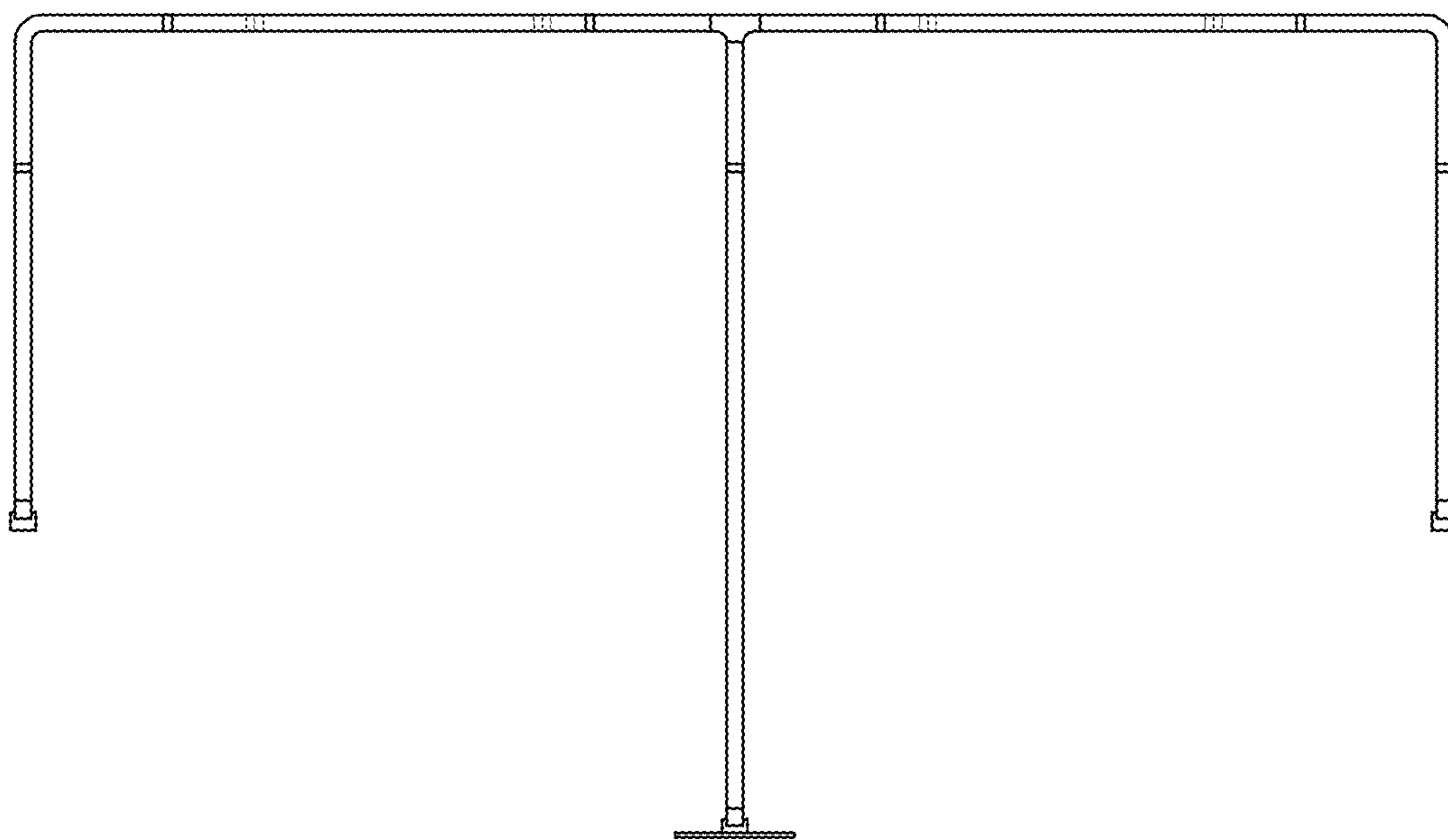
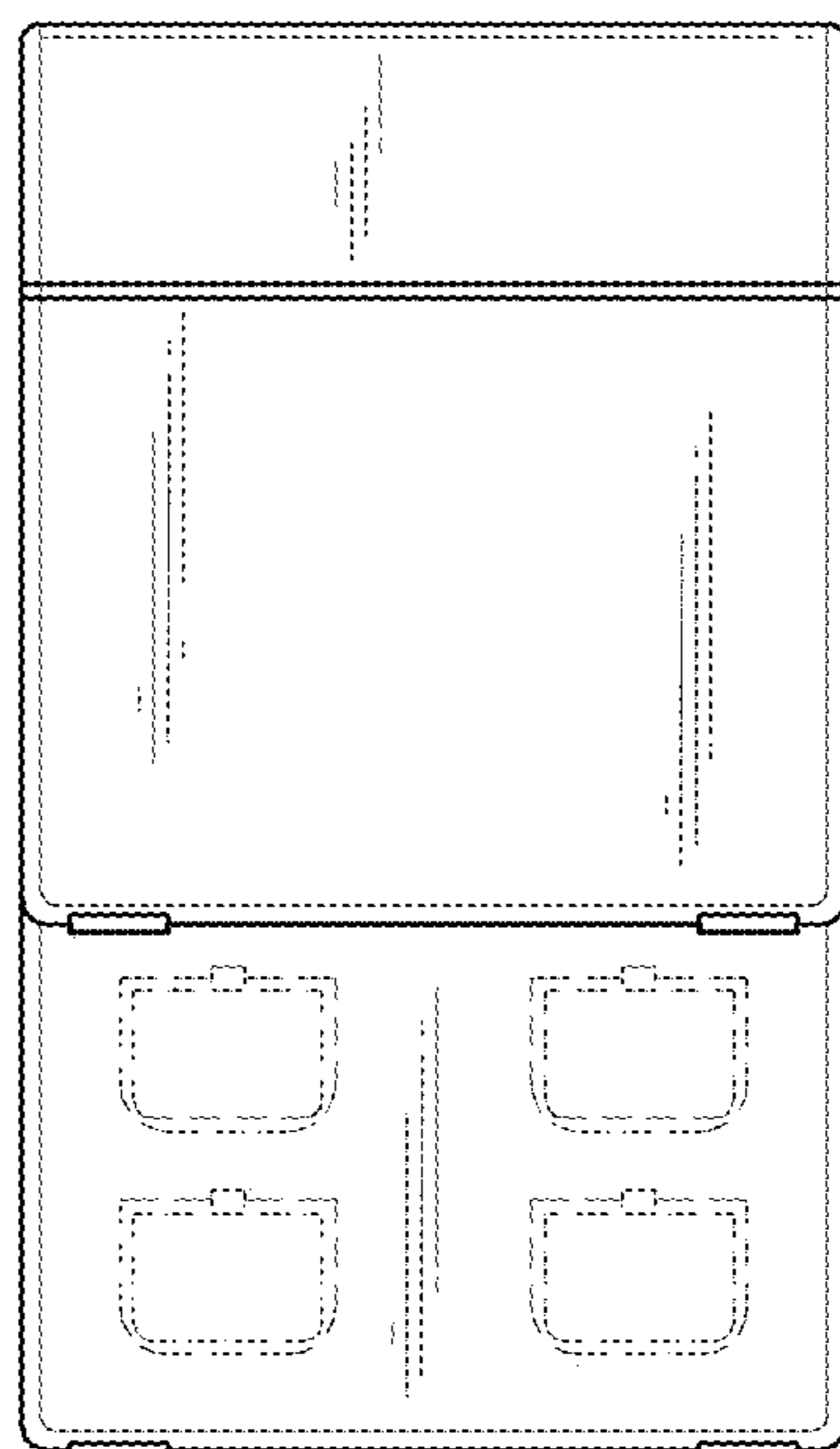


FIG. 2



*FIG. 3*



*FIG. 4*

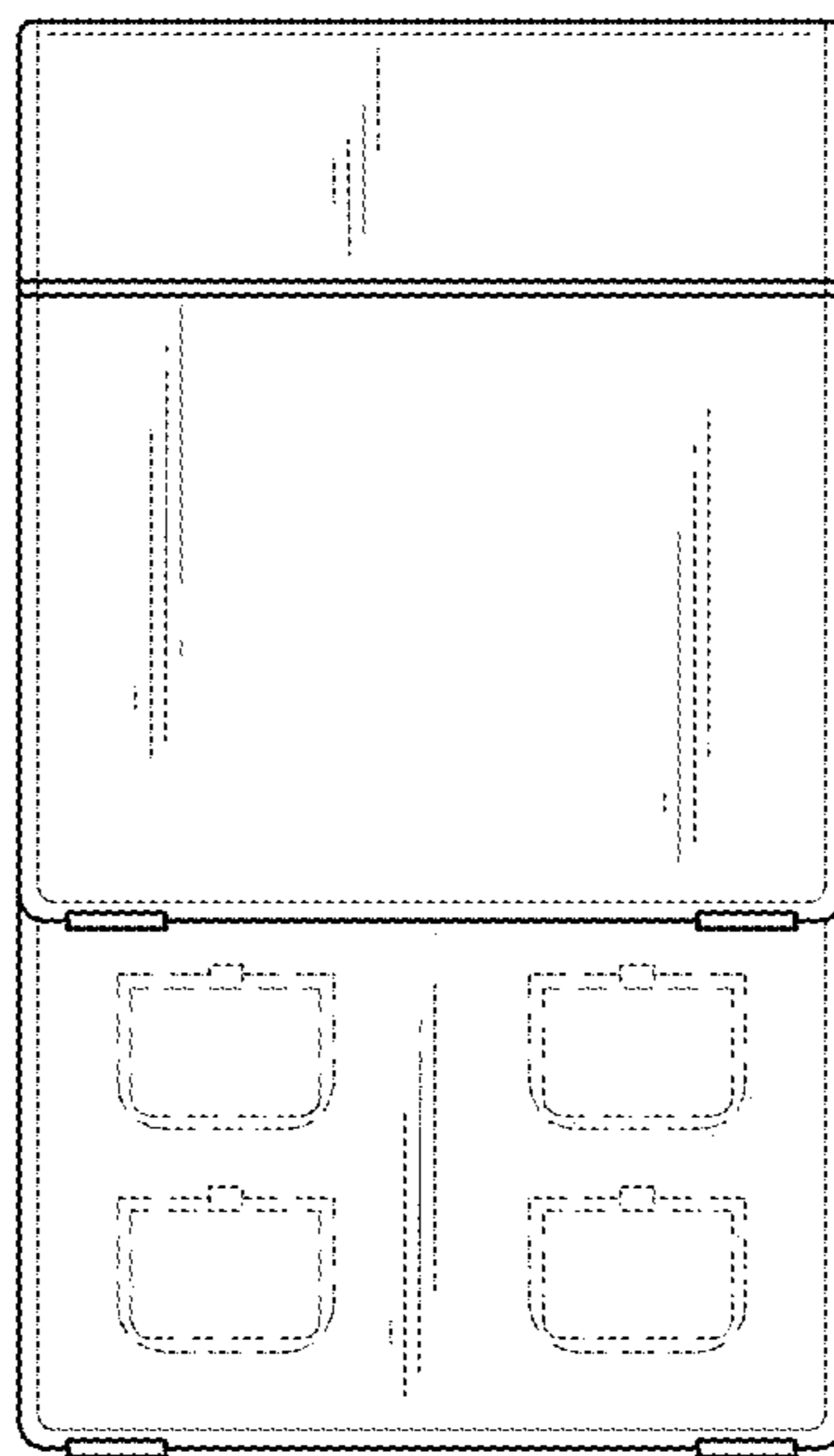


FIG. 5

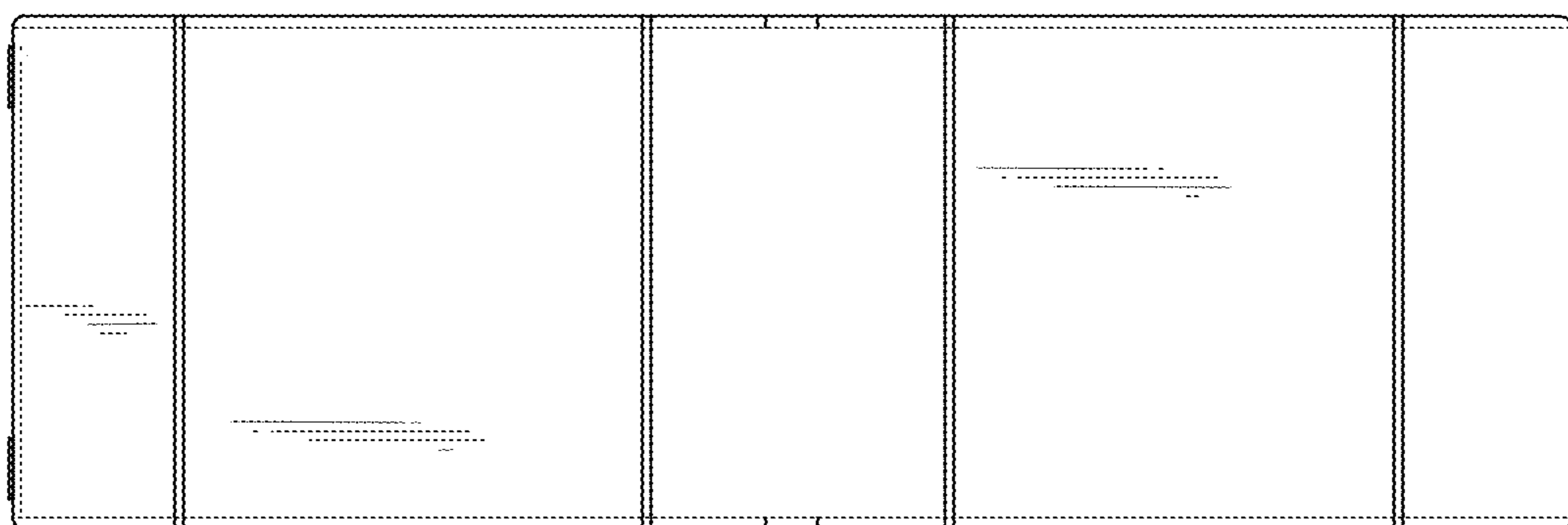


FIG. 6

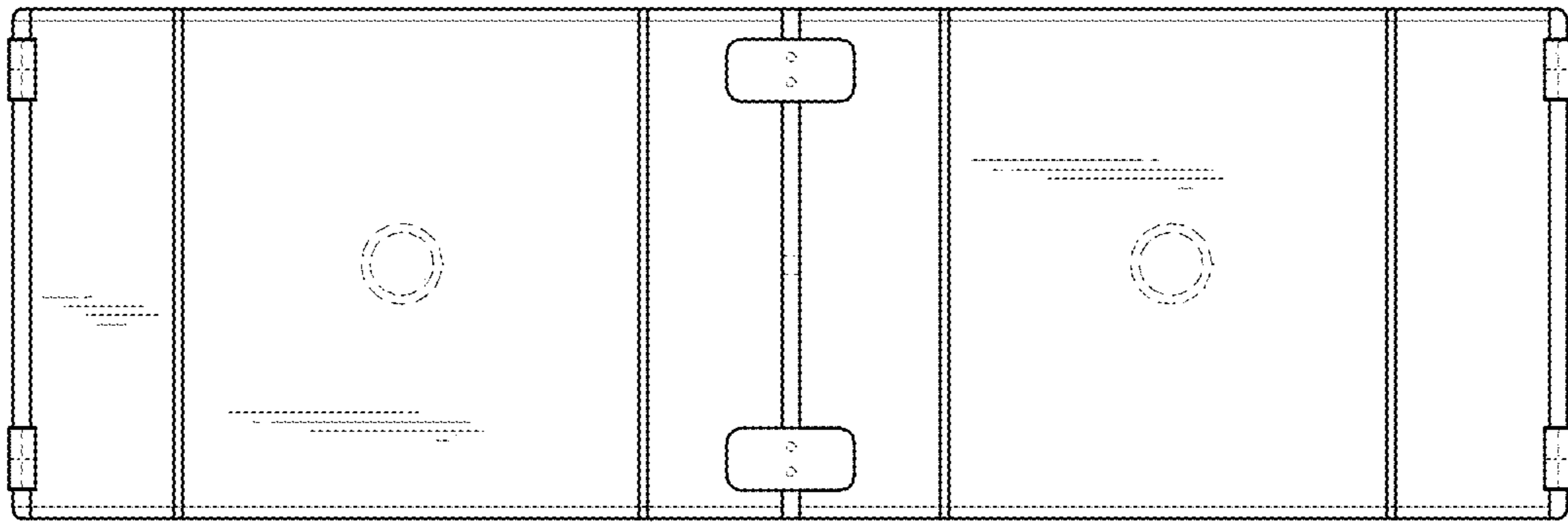


FIG. 7

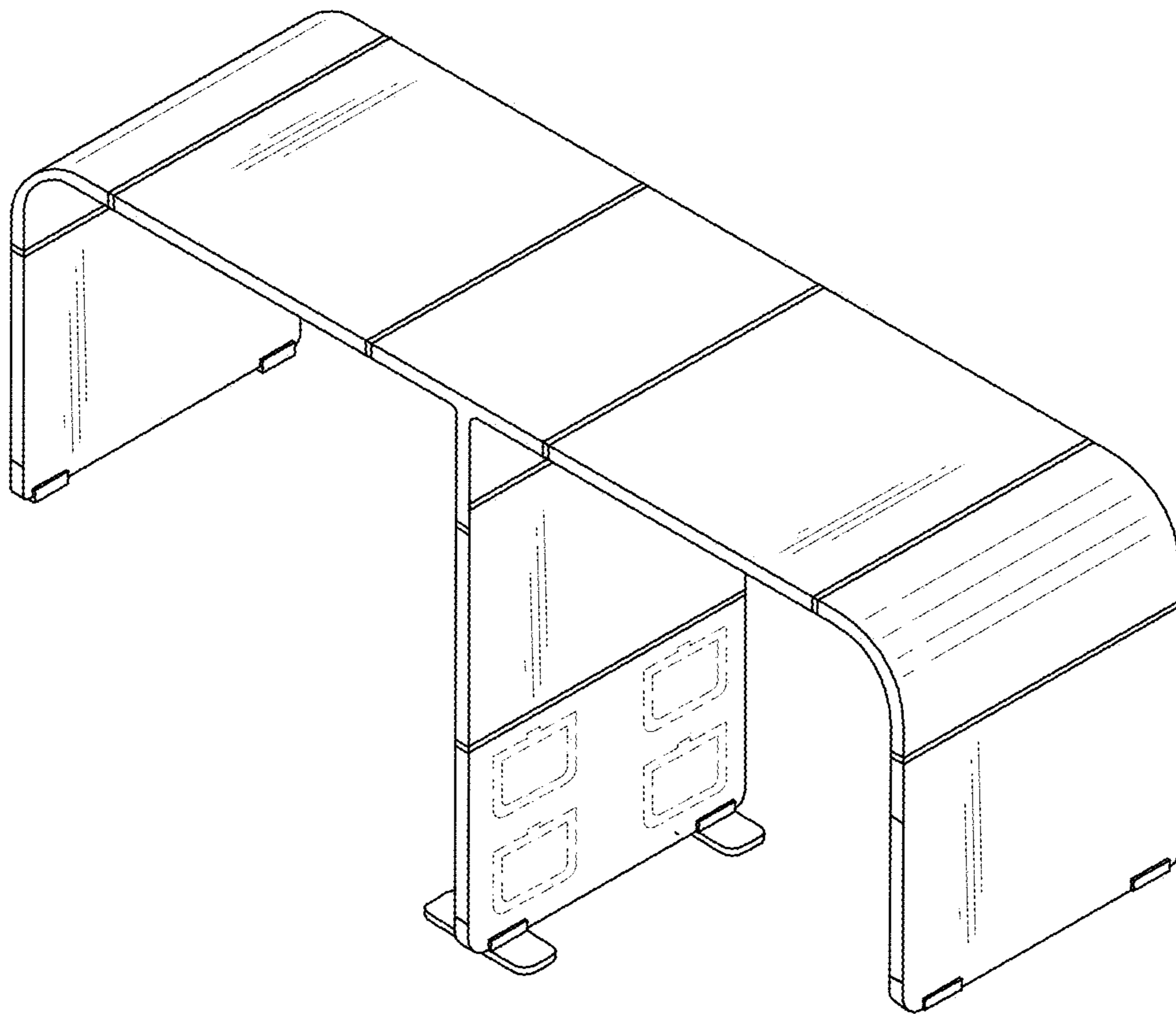
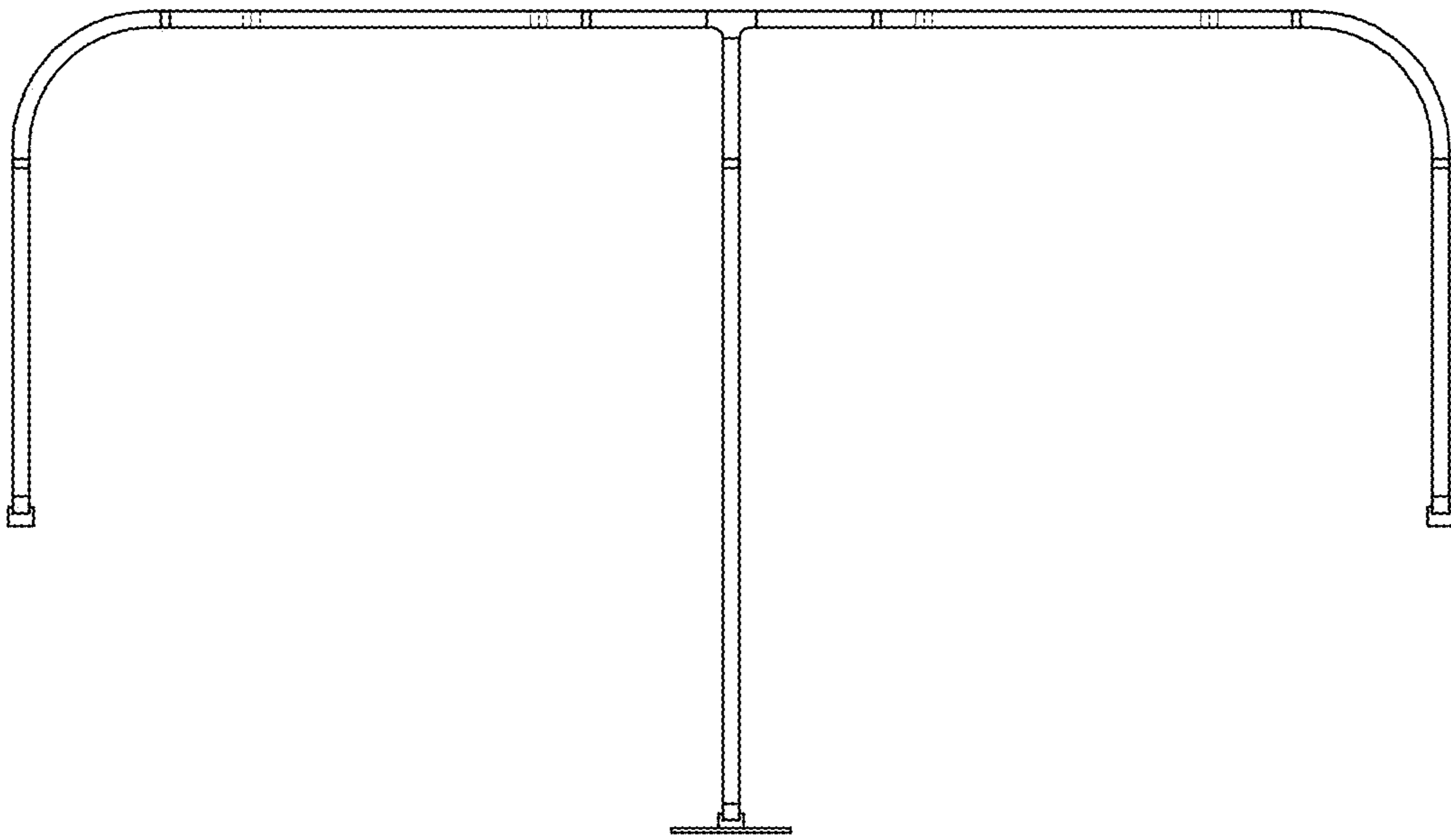
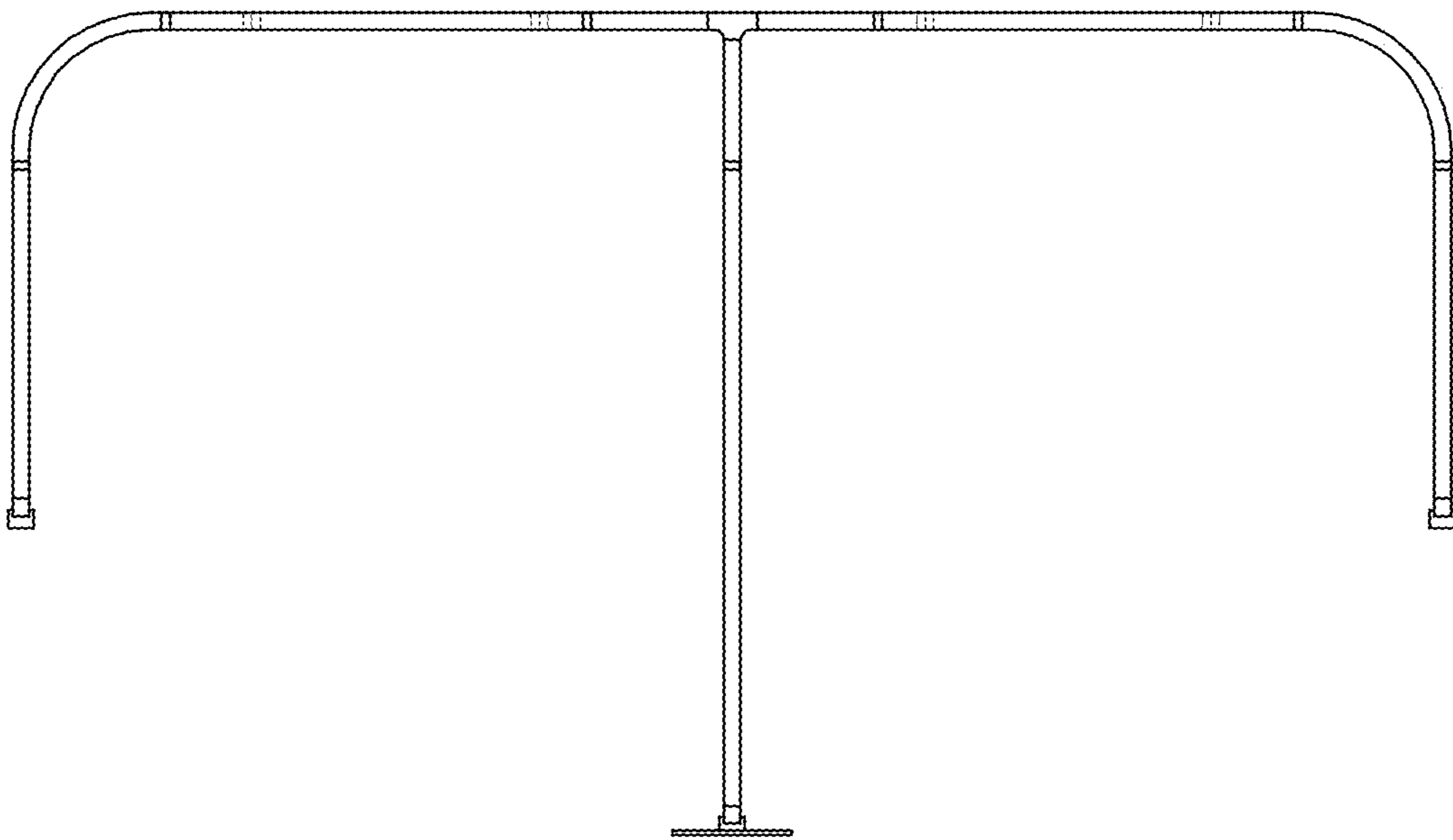


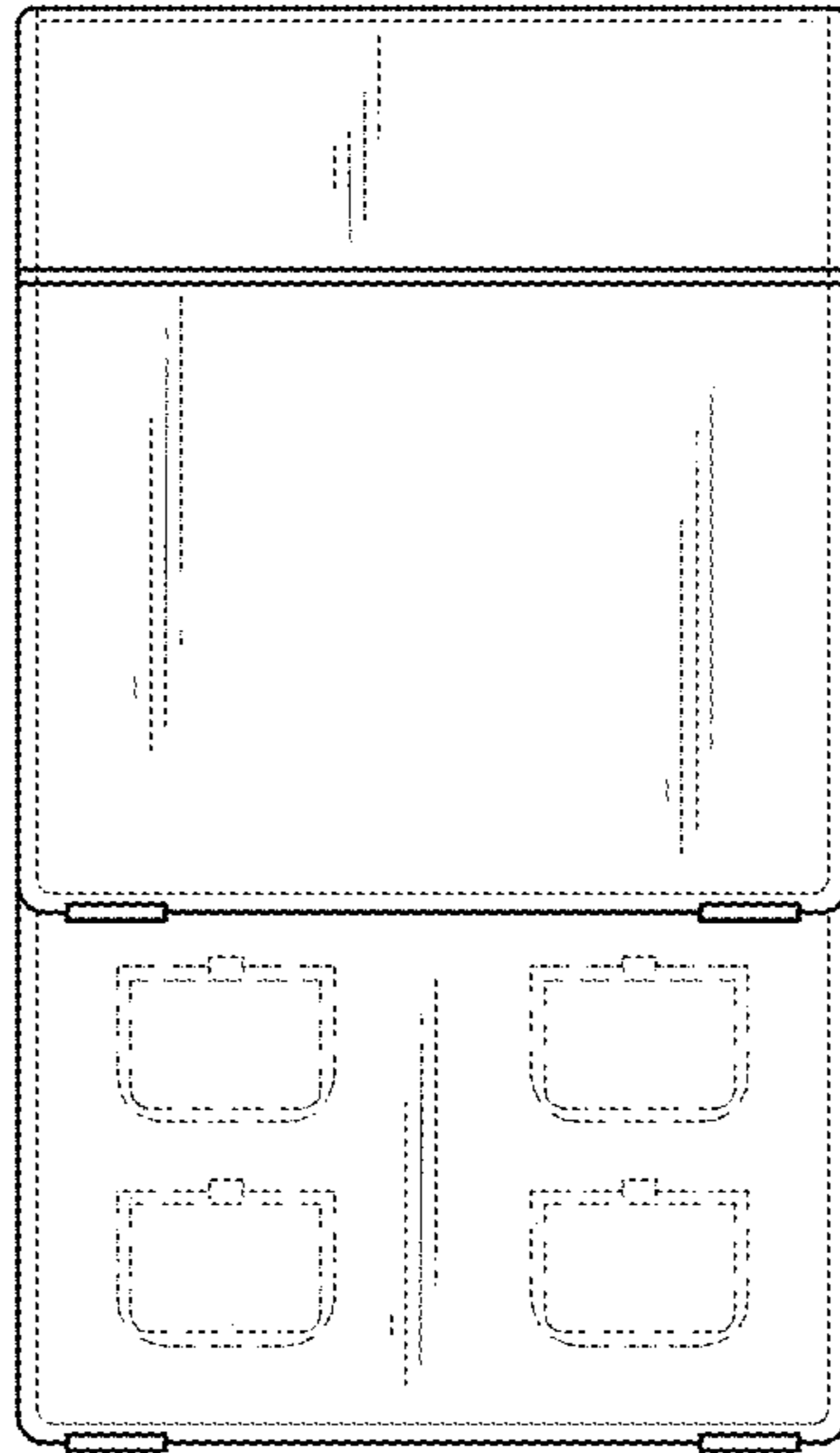
FIG. 8



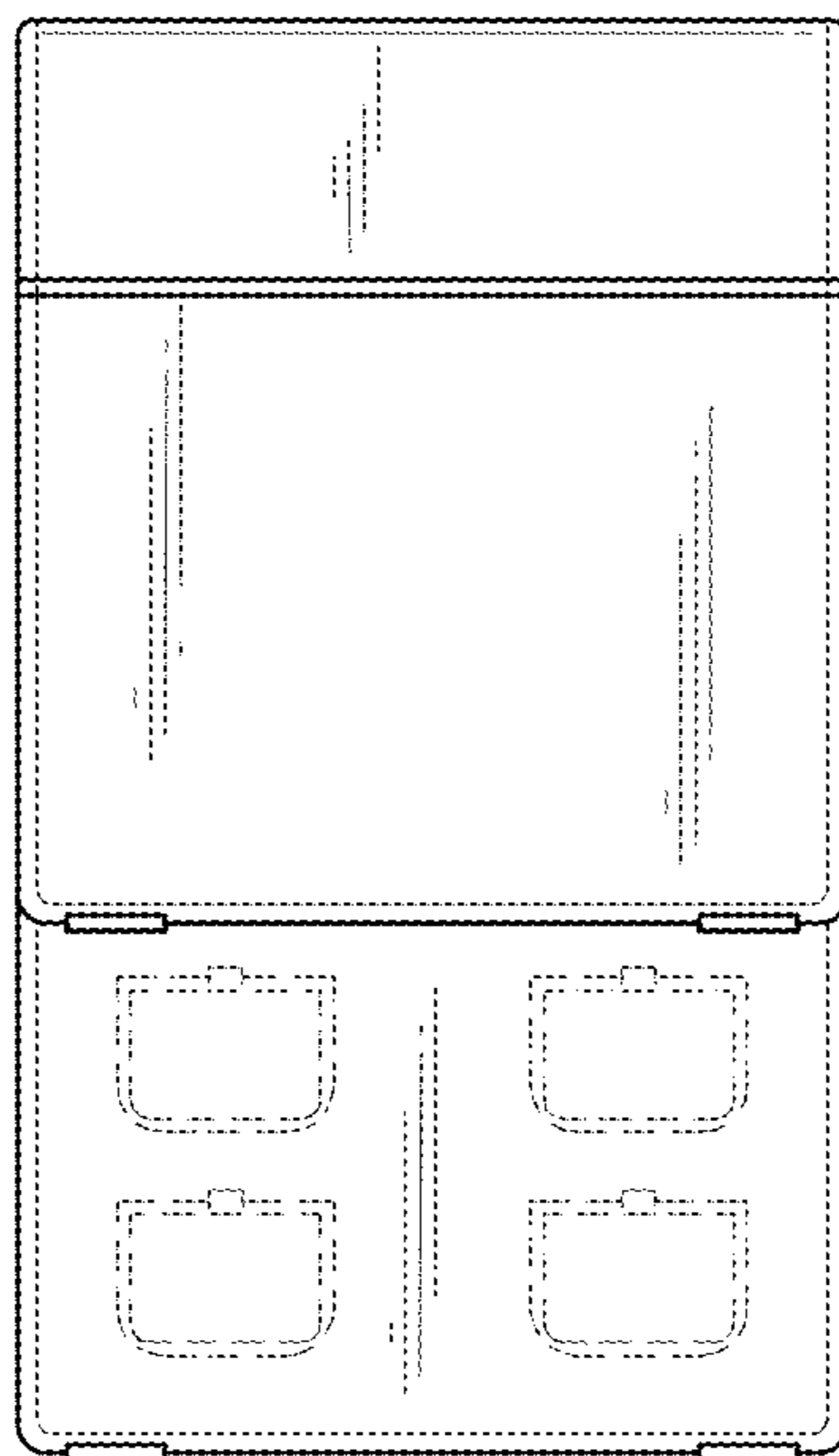
*FIG. 9*



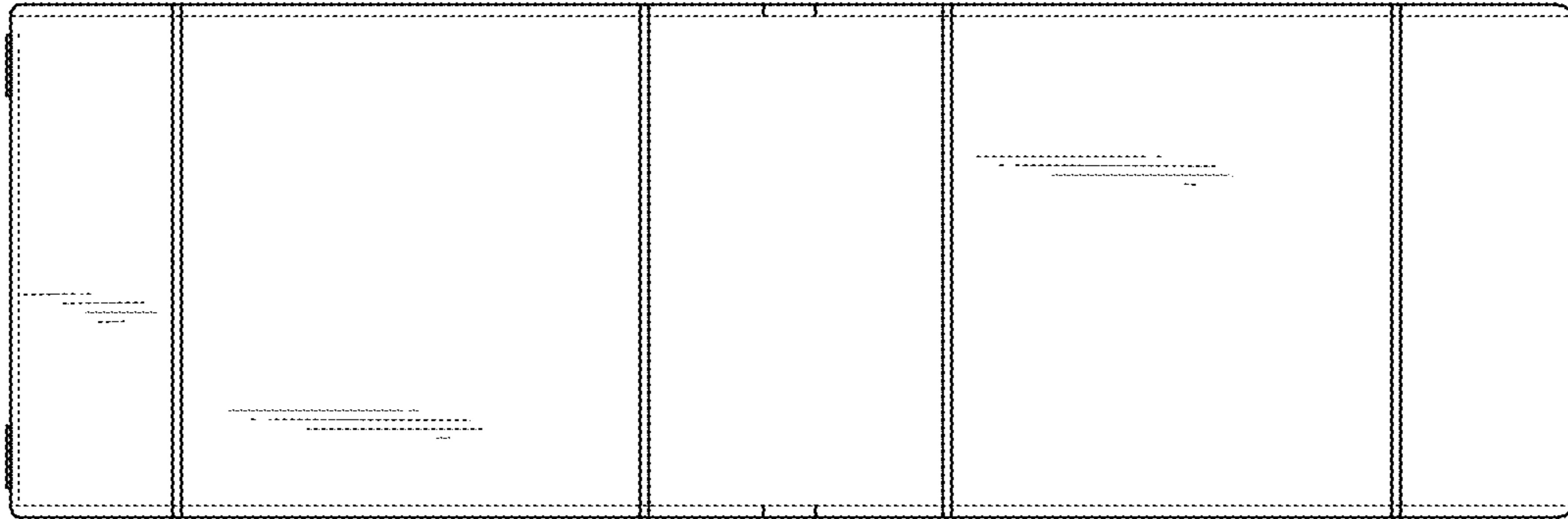
*FIG. 10*



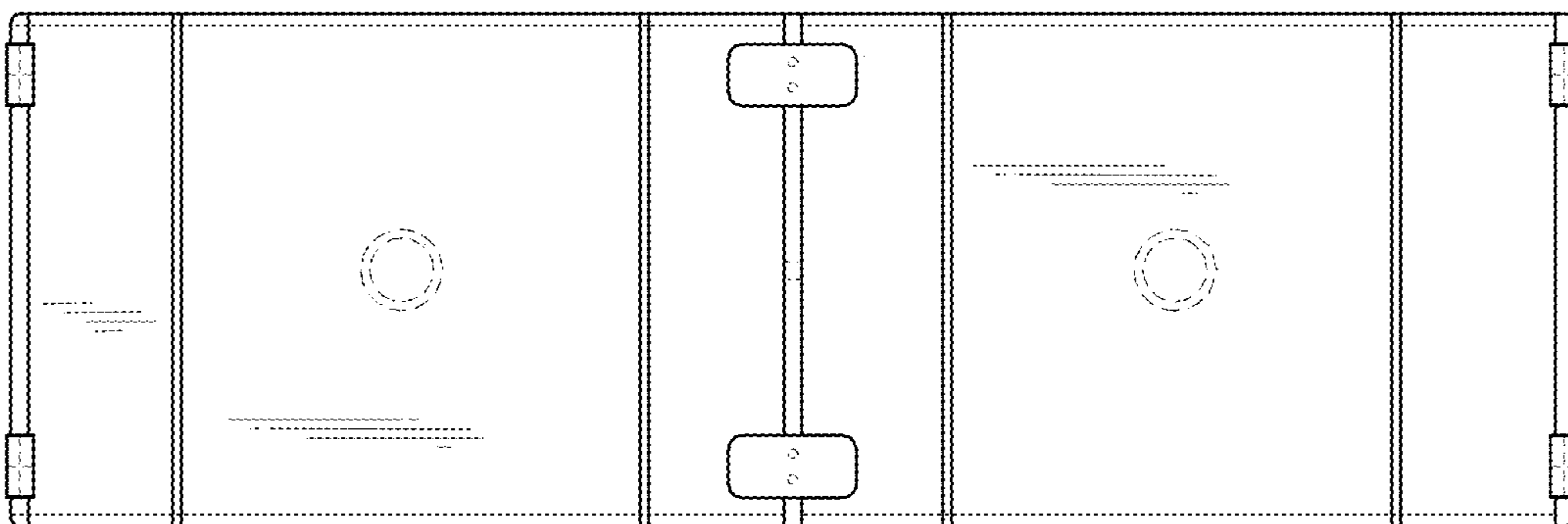
*FIG. 11*



*FIG. 12*



*FIG. 13*



*FIG. 14*