



US00D972315S

(12) **United States Design Patent**
Zhu

(10) **Patent No.:** **US D972,315 S**
(45) **Date of Patent:** **** Dec. 13, 2022**

(54) **MAKEUP MIRROR**

(71) Applicant: **Yuntao Zhu**, GaoAn (CN)

(72) Inventor: **Yuntao Zhu**, GaoAn (CN)

(**) Term: **15 Years**

(21) Appl. No.: **29/765,120**

(22) Filed: **Jan. 6, 2021**

(51) **LOC (13) Cl.** **06-07**

(52) **U.S. Cl.**
USPC **D6/312**

(58) **Field of Classification Search**
USPC D6/300, 301, 302, 303, 304, 307, 308,
D6/309, 310, 311, 312, 313, 314;
D28/64.1-64.7
CPC A45D 42/00; A45D 42/10; A45D 42/16;
A45D 42/20; A45D 42/24; A47G 1/00;
A47G 1/02; A47G 1/04; A47G 1/0622;
B60J 3/0282

See application file for complete search history.

(56) **References Cited**

U.S. PATENT DOCUMENTS

833,492 A *	10/1906	Van Horn	A45D 42/10 362/144
D307,358 S *	4/1990	Gerton	D6/302
D802,942 S *	11/2017	Nikolov	D6/300
D802,943 S *	11/2017	Nikolov	D6/300
D803,583 S *	11/2017	Nikolov	D6/300

D923,947 S *	7/2021	Du	D6/310
D932,199 S *	10/2021	Jiang	D6/309
D942,162 S *	2/2022	Zhang	D6/312
D947,551 S *	4/2022	Yu	D6/309

OTHER PUBLICATIONS

Qimh Wall Mounted Makeup Vanity Mirror [online], [site visited Jul. 26, 2022]. Available from internet, URL: <<https://www.amazon.com/dp/B0897DFG3V/>> (Year: 2019).*

* cited by examiner

Primary Examiner — Llorelys Martinez
Assistant Examiner — Xavier Marti-Santos

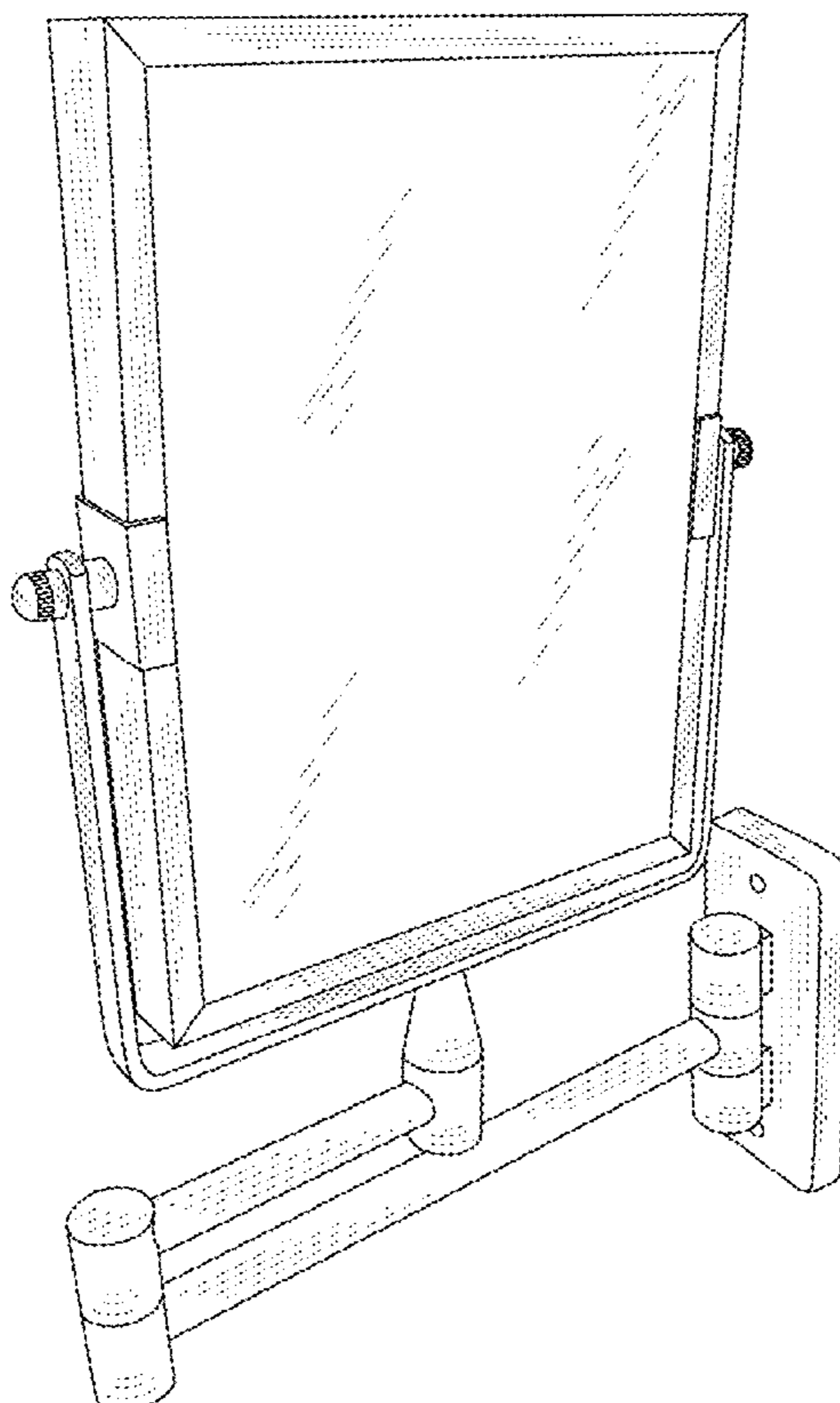
(57) **CLAIM**

The ornamental design for a makeup mirror, as shown and described.

DESCRIPTION

FIG. 1 is a perspective view of a makeup mirror showing my new design;
FIG. 2 is a front elevation view thereof;
FIG. 3 is a rear elevation view thereof;
FIG. 4 is a left side elevation view thereof;
FIG. 5 is a right side elevation view thereof;
FIG. 6 is a top plan view thereof; and,
FIG. 7 is a bottom plan view thereof.

1 Claim, 7 Drawing Sheets



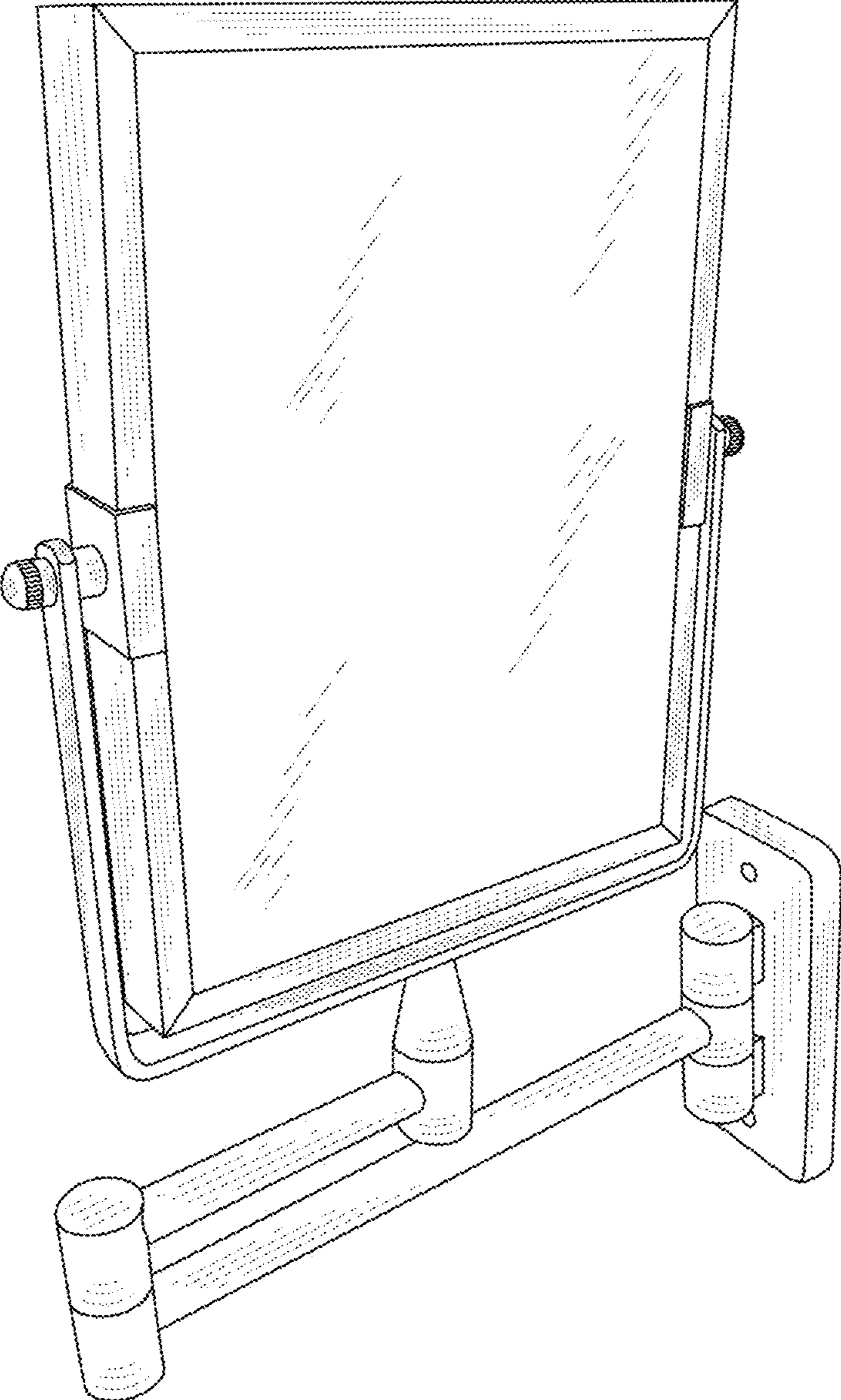


FIG. 1

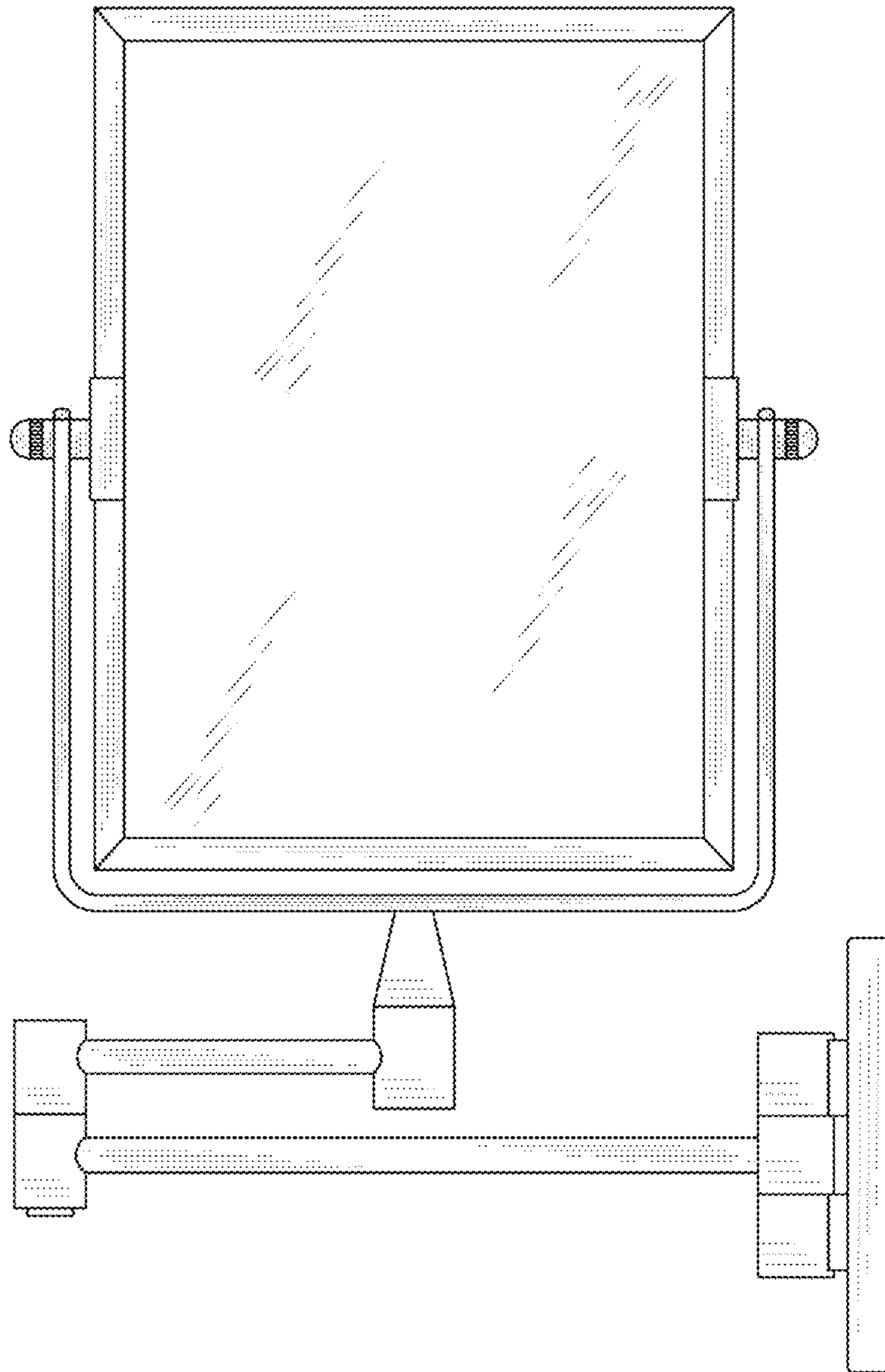


FIG. 2

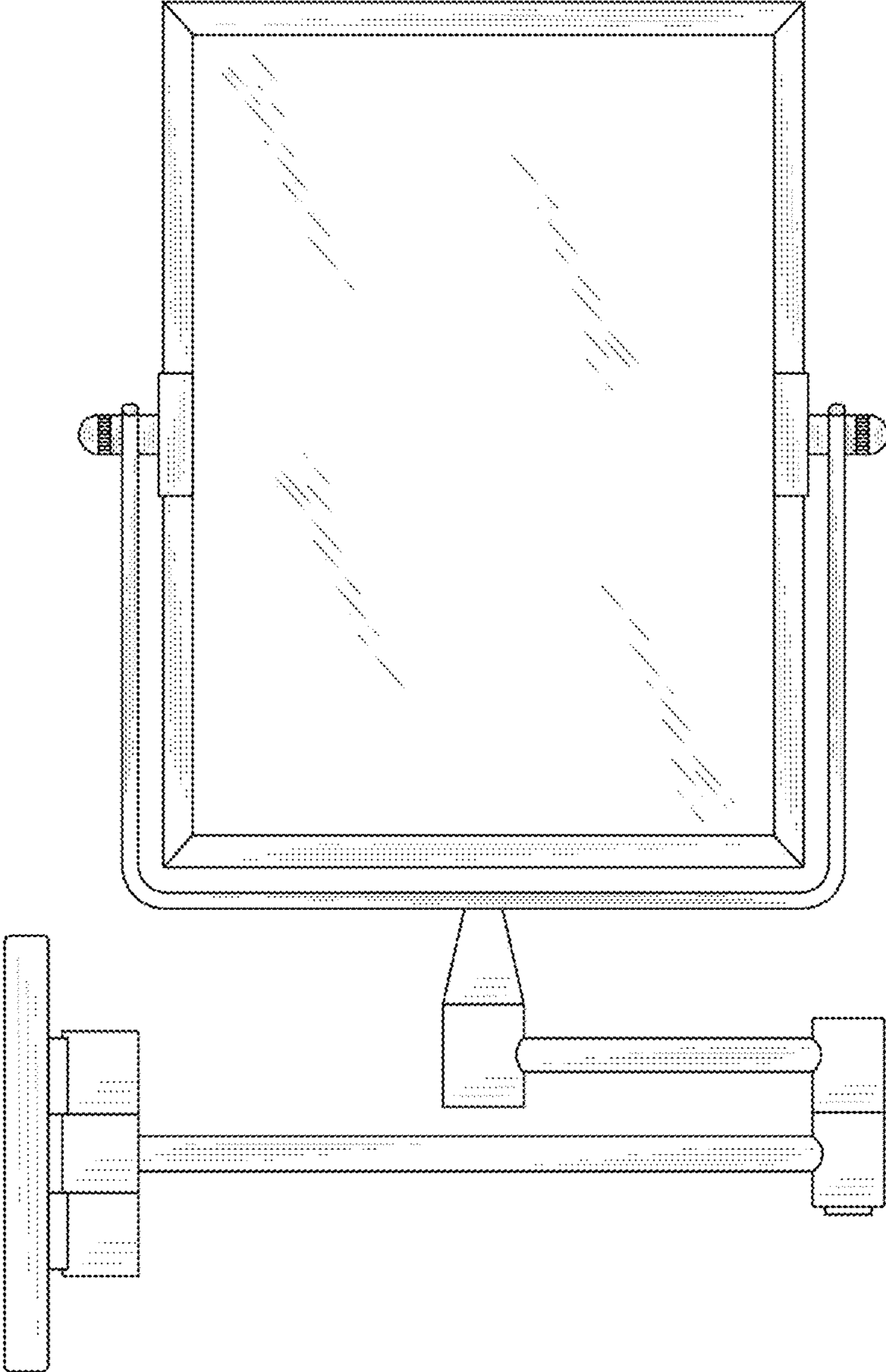


FIG. 3

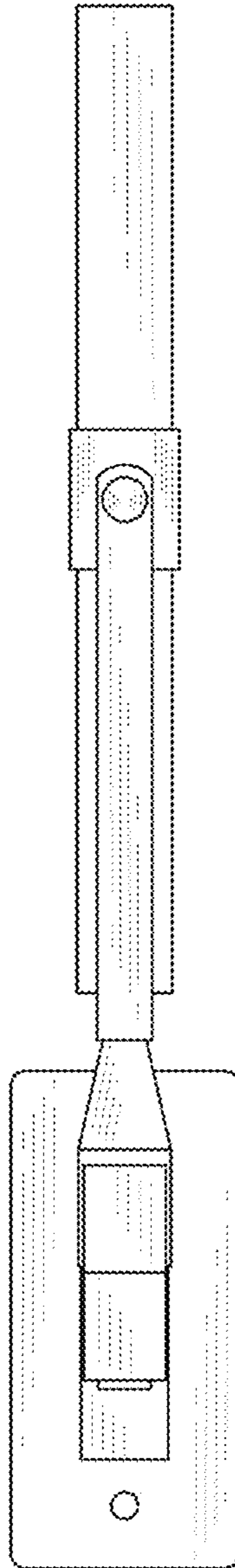


FIG. 4

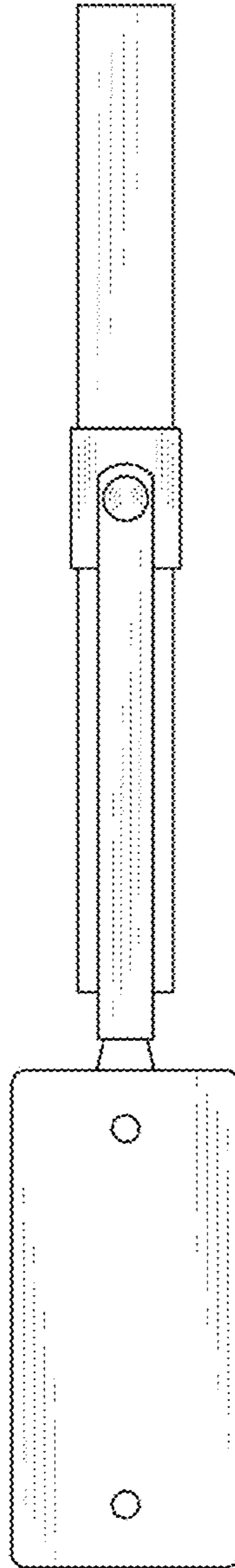


FIG. 5

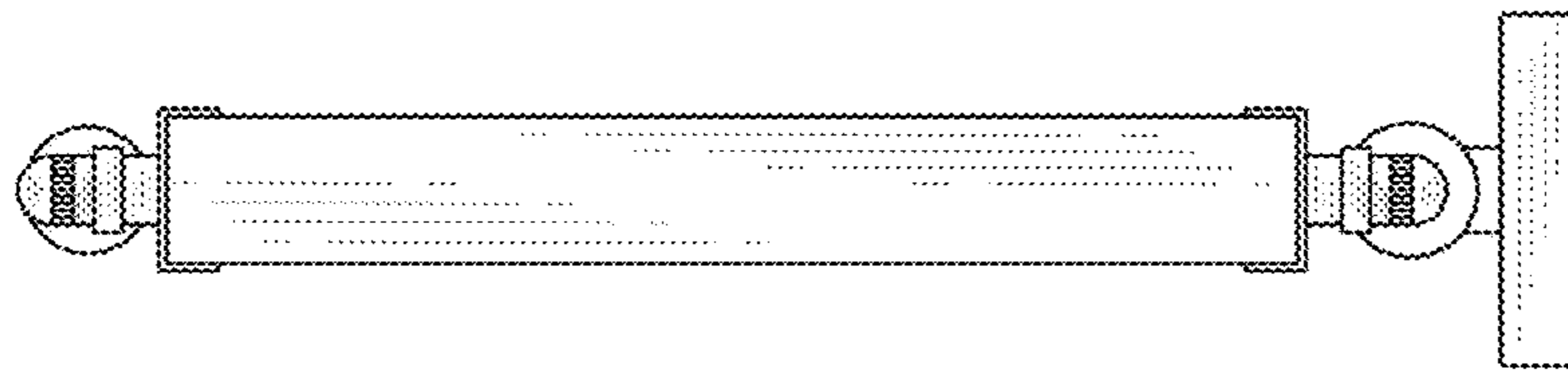


FIG. 6

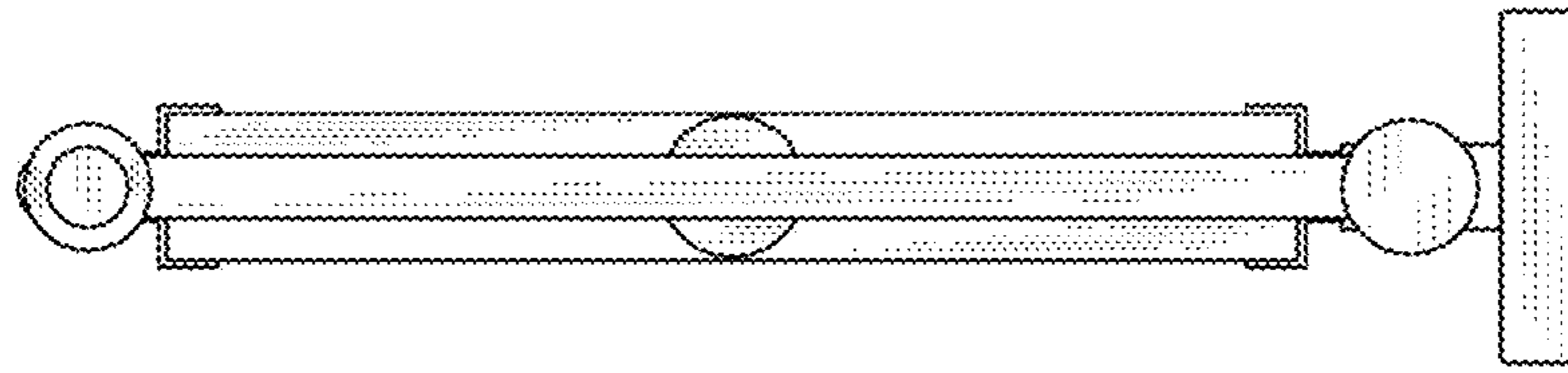


FIG. 7