



US00D972314S

(12) **United States Design Patent** (10) **Patent No.:** **US D972,314 S**  
**Shen** (45) **Date of Patent:** **\*\* Dec. 13, 2022**

(54) **MAKE UP MIRROR**  
(71) Applicant: **Xiaoping Shen**, Guangzhou (GD)  
(72) Inventor: **Xiaoping Shen**, Guangzhou (GD)  
(\*\*) Term: **15 Years**

D918,601 S \* 5/2021 Liu ..... D6/300  
D923,945 S \* 7/2021 Du ..... D6/308  
D929,749 S \* 9/2021 Choi ..... D6/301  
D950,255 S \* 5/2022 Choi ..... D6/308

(21) Appl. No.: **29/804,681**  
(22) Filed: **Aug. 23, 2021**  
(51) **LOC (13) Cl.** ..... **06-07**  
(52) **U.S. Cl.**  
USPC ..... **D6/308**  
(58) **Field of Classification Search**  
USPC ..... D6/300-314  
CPC .. A47G 1/00; A47G 2001/002; F21V 33/004;  
A45D 42/10  
See application file for complete search history.

**FOREIGN PATENT DOCUMENTS**

CN 303972517 \* 12/2016

\* cited by examiner

*Primary Examiner* — Deanna L Pratt

(57) **CLAIM**

The ornamental design for a make up mirror, as shown and described.

**DESCRIPTION**

FIG. 1 is a perspective view of a make up mirror showing my new design;

FIG. 2 is a top view thereof;

FIG. 3 is a left side view thereof;

FIG. 4 is a front view thereof;

FIG. 5 is a right side view thereof;

FIG. 6 is a back view thereof; and,

FIG. 7 is a bottom view thereof.

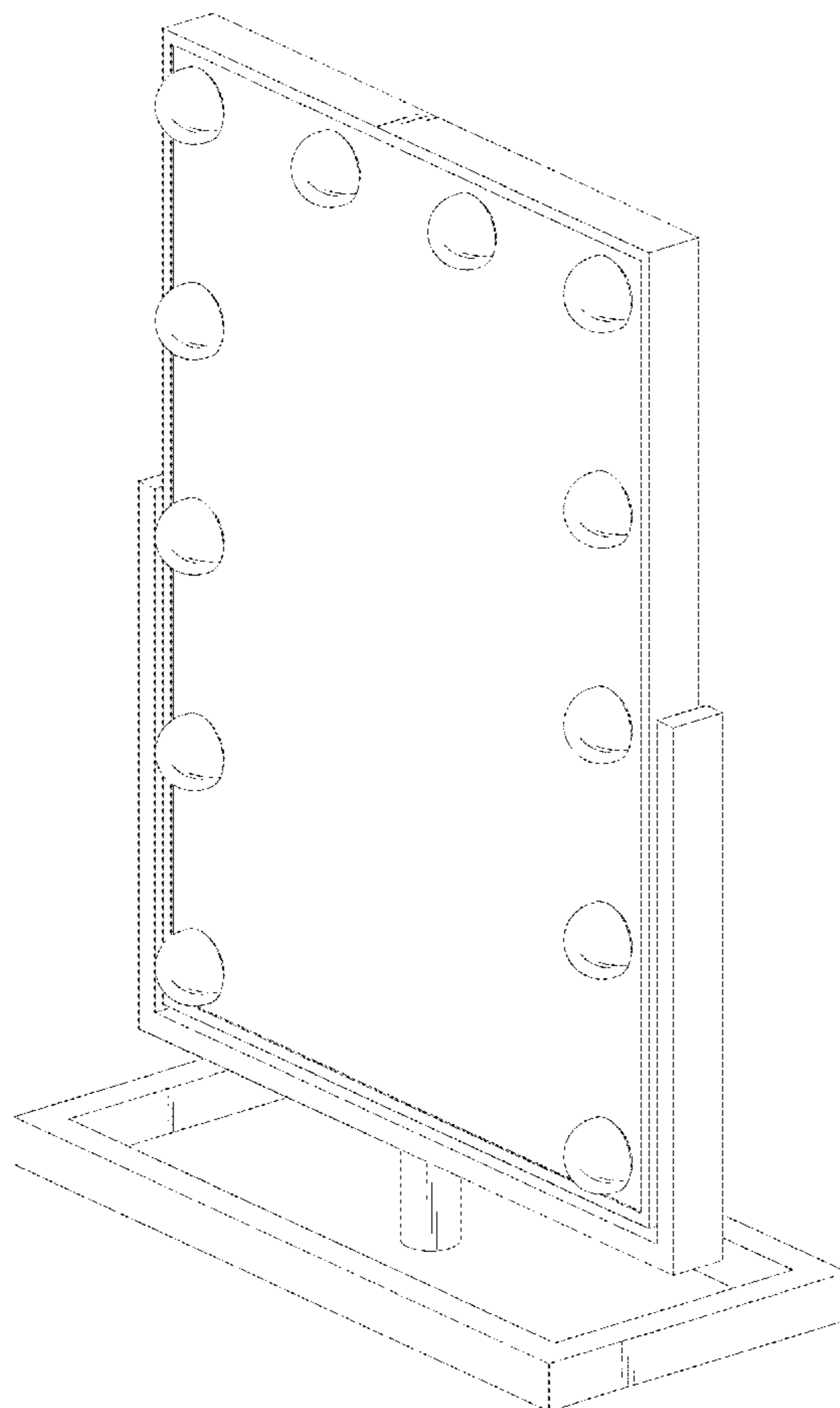
The broken lines shown in the drawings depict portions of the make up mirror in which the design is embodied that form no part of the claimed design.

(56) **References Cited**

**U.S. PATENT DOCUMENTS**

D579,671 S 11/2008 Mischel, Jr.  
D779,835 S \* 2/2017 Zhang ..... D6/300  
D809,806 S \* 2/2018 Ghiorghie ..... D6/312  
D853,736 S 7/2019 Long  
D882,279 S \* 4/2020 Zhu ..... D6/310  
D902,607 S \* 11/2020 Liu ..... D6/310

**1 Claim, 7 Drawing Sheets**



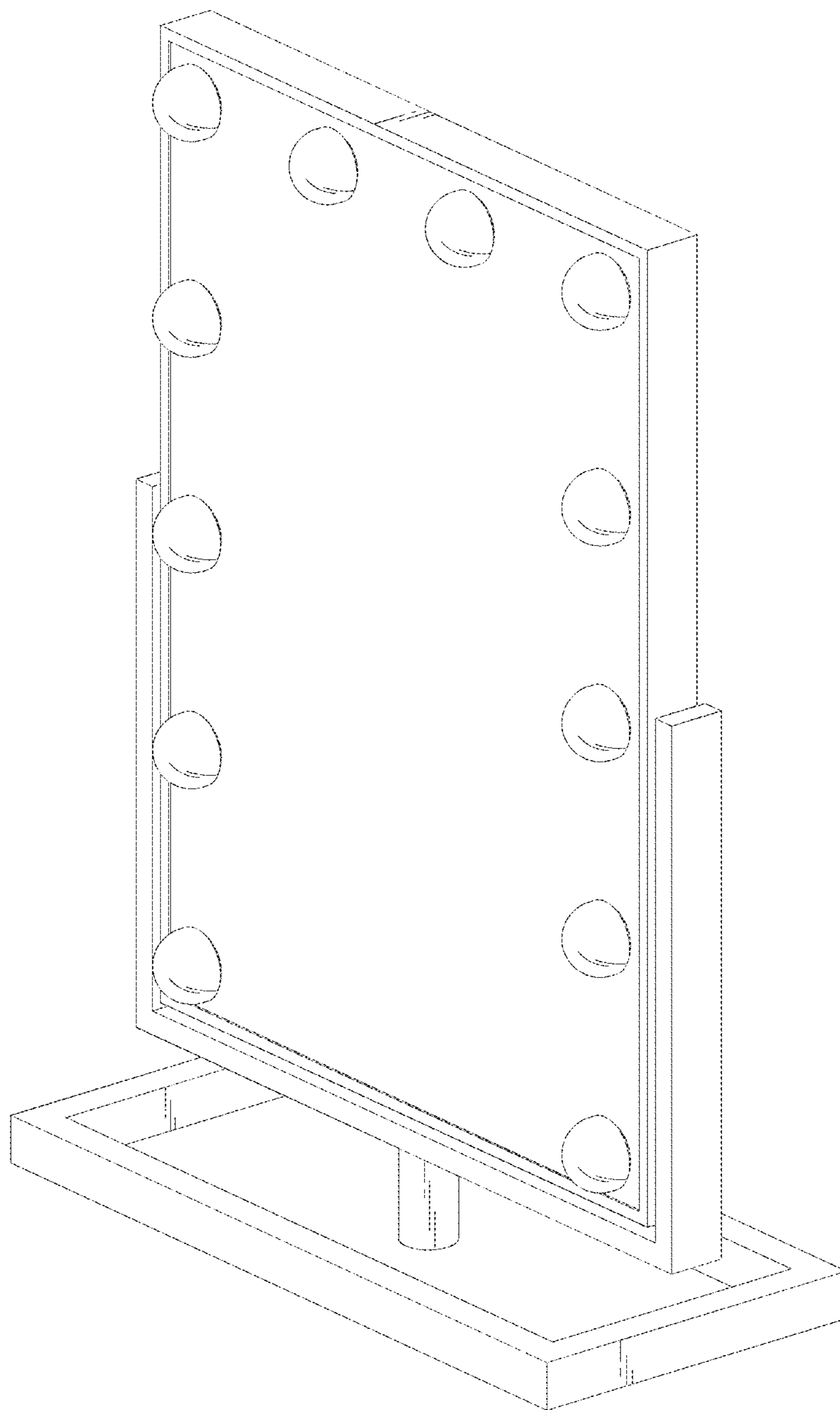


FIG. 1

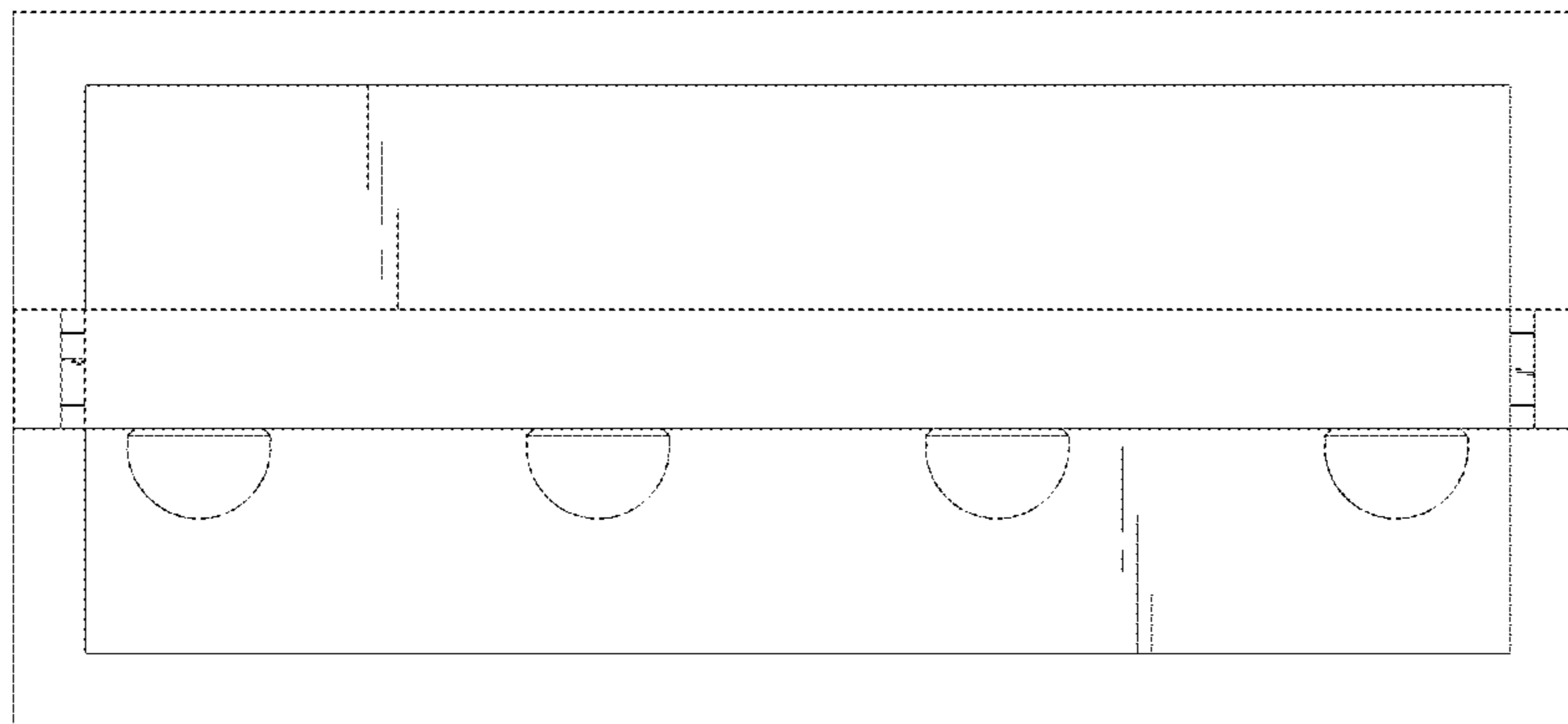


FIG. 2

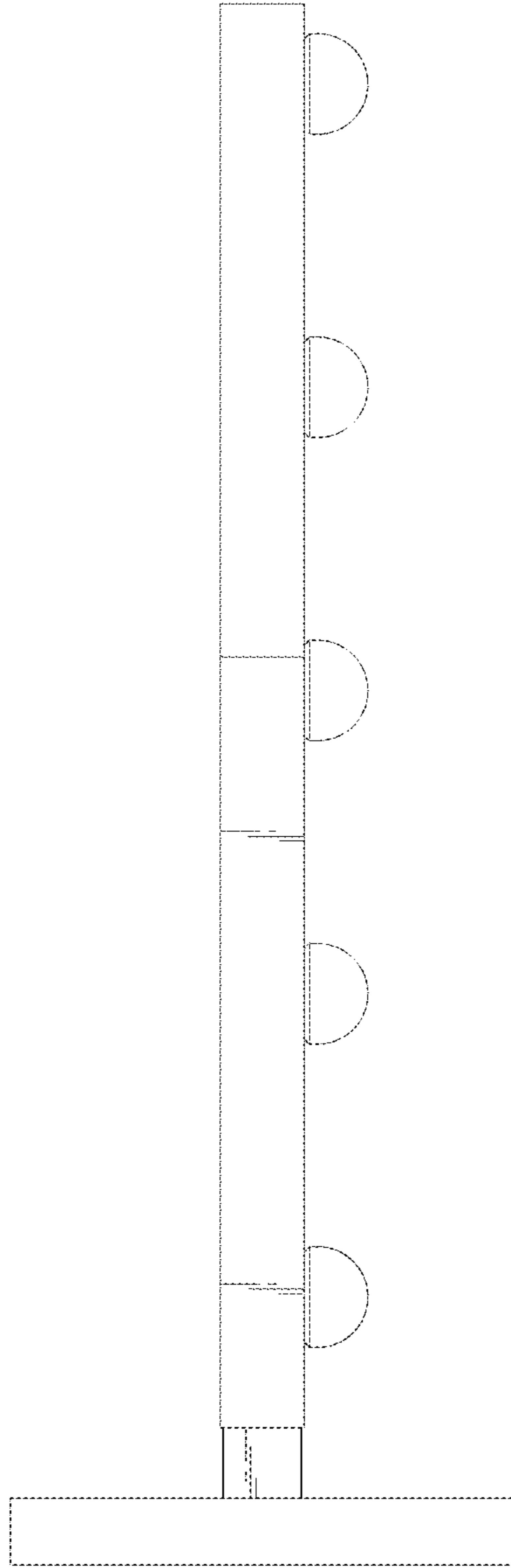


FIG. 3

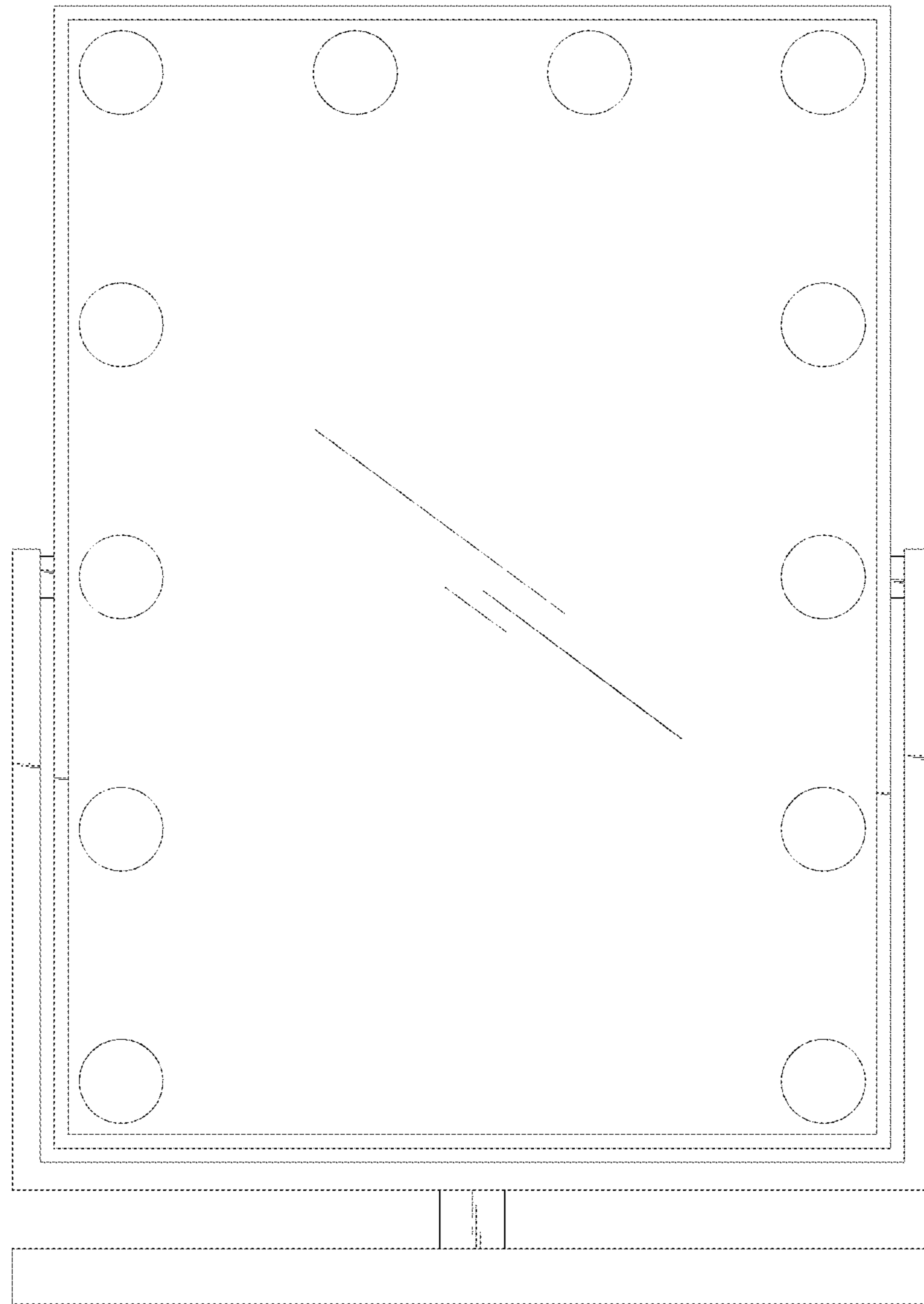


FIG. 4

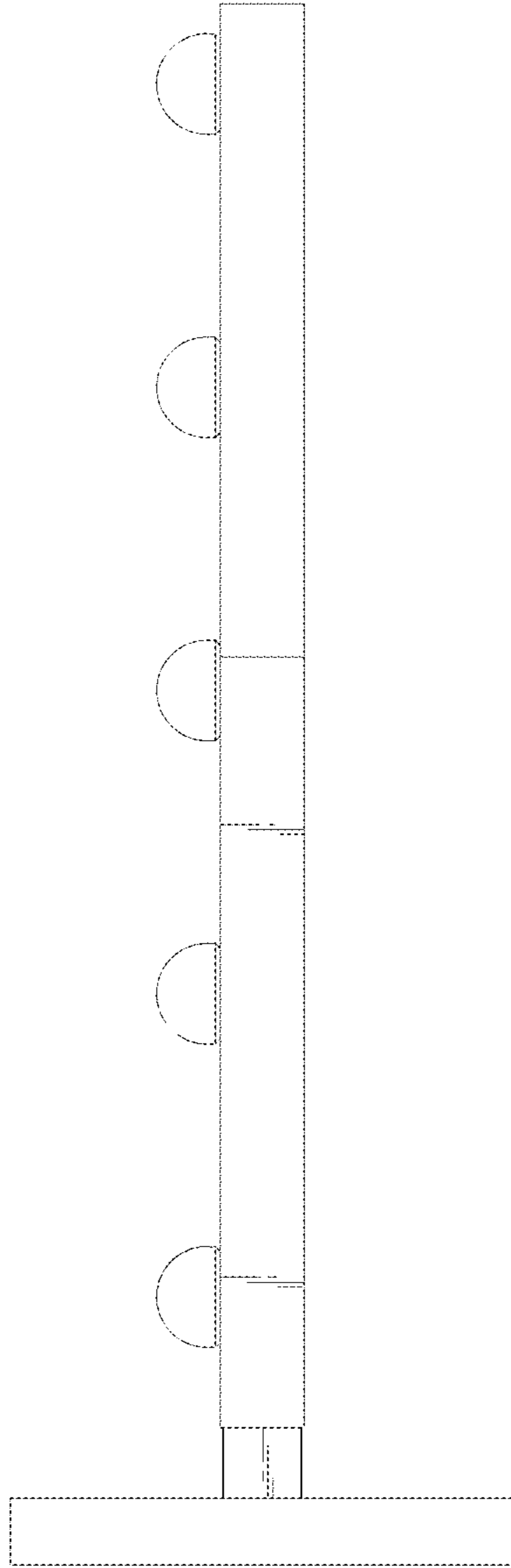


FIG. 5

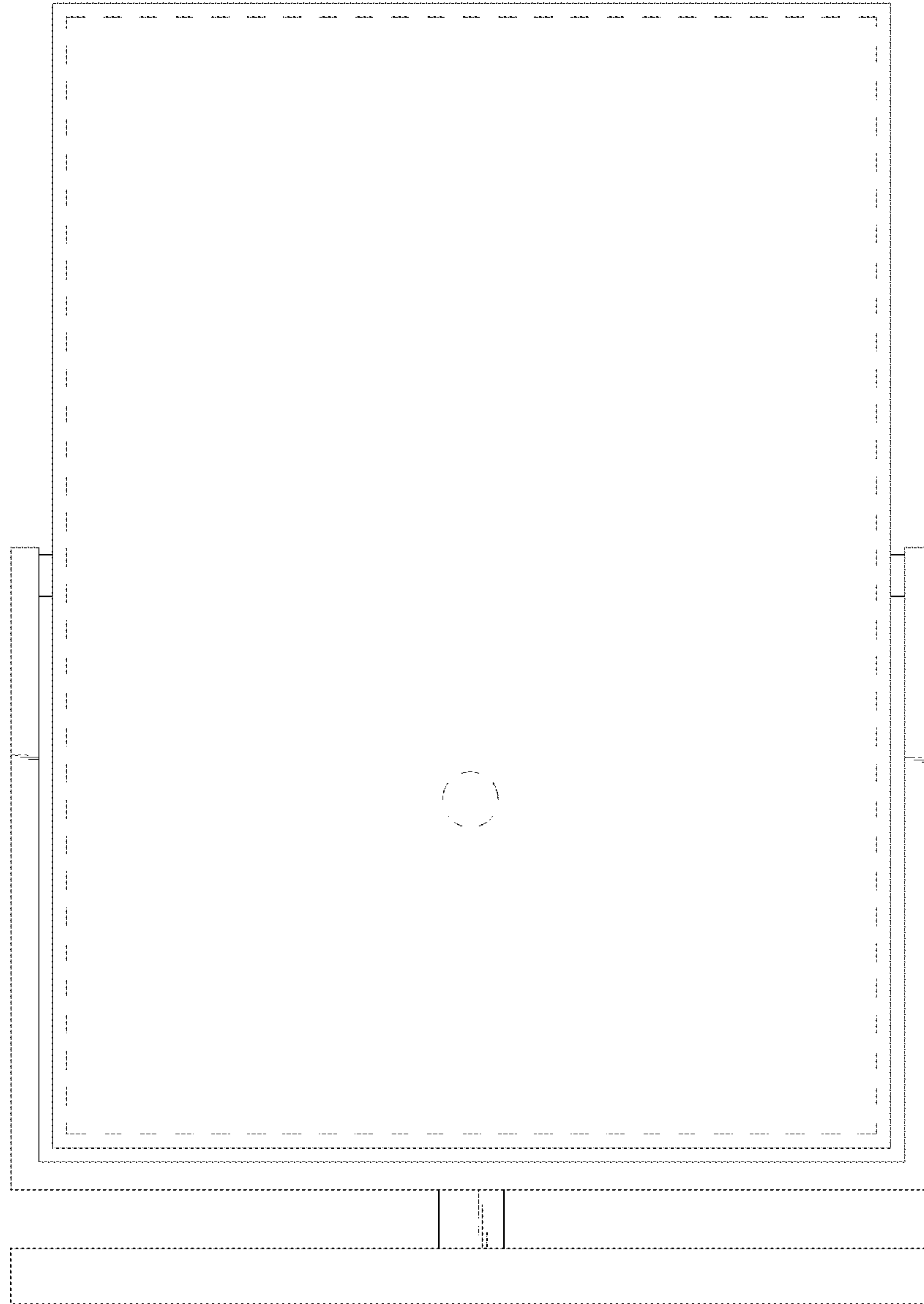


FIG. 6

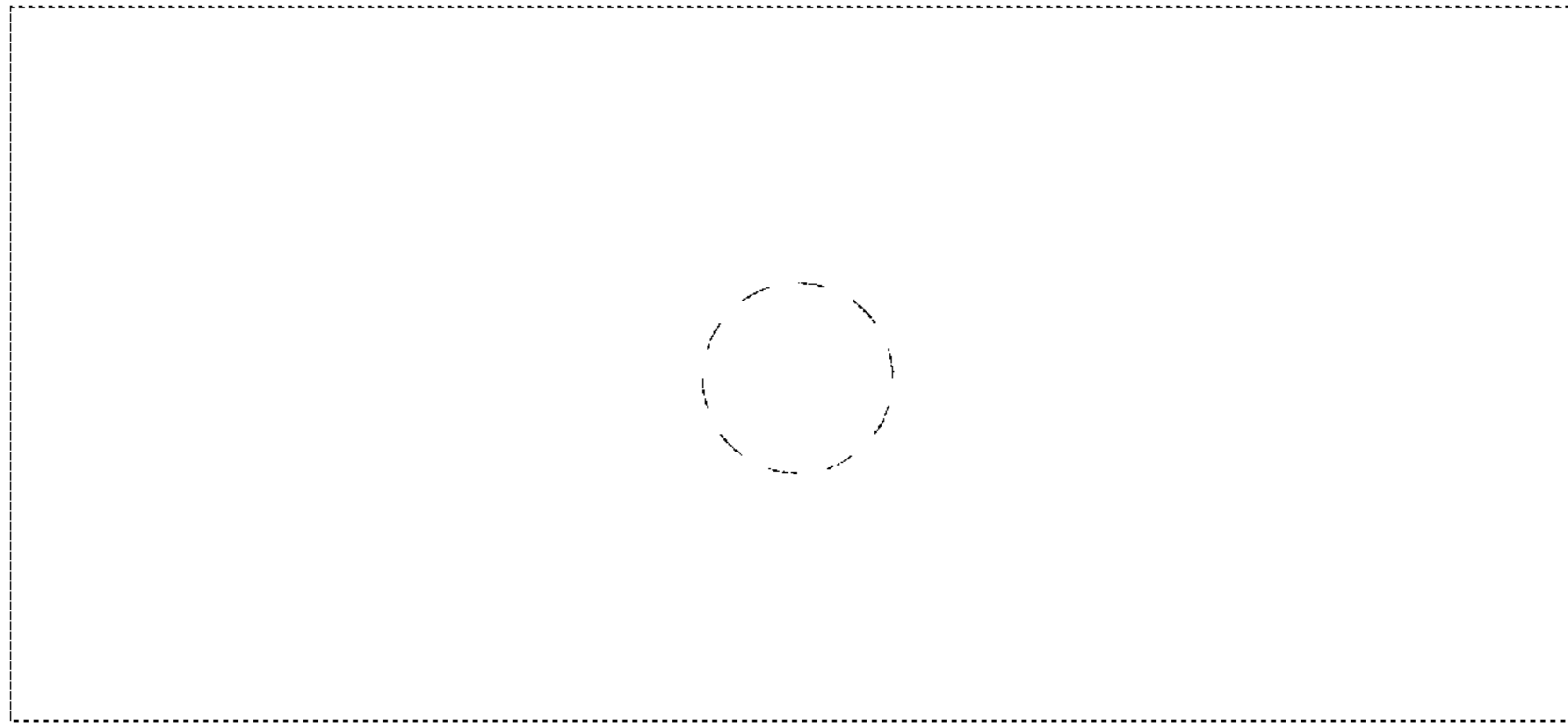


FIG. 7