



US00D972313S

(12) **United States Design Patent** (10) **Patent No.:** **US D972,313 S**
Perry (45) **Date of Patent:** **** Dec. 13, 2022**

(54) **PAPER TISSUE**
(71) Applicant: **Stephanie L. Perry**, Perth Amboy, NJ (US)
(72) Inventor: **Stephanie L. Perry**, Perth Amboy, NJ (US)
(**) Term: **15 Years**

4,133,149 A * 1/1979 Angress E04H 1/1205
D25/4
4,350,341 A * 9/1982 Wallace A63F 9/10
D25/138
5,020,287 A * 6/1991 Woods E04B 7/102
52/80.2
5,105,306 A * 4/1992 Ohala B44F 1/10
359/627
D373,831 S * 9/1996 Lechleiter D25/58
D416,633 S * 11/1999 Horton A63H 33/088
D25/138

(21) Appl. No.: **29/800,430**

(Continued)

(22) Filed: **Jul. 21, 2021**

FOREIGN PATENT DOCUMENTS

(51) **LOC (13) Cl.** **05-06**
(52) **U.S. Cl.**
USPC **D5/99**

EM 001334262-0004 8/2012
EM 001360937-0001 2/2013

(Continued)

(58) **Field of Classification Search**
USPC D5/4, 30, 43, 47, 54, 55, 56, 58, 59, 60,
D5/61, 62, 63, 99; D6/582, 610, 613,
D6/616; D19/5; D20/20, 27; D25/138;
D32/57
CPC B44F 3/00; B44F 5/00; B44F 9/00; D03D
1/0082; D03D 27/02; D03D 1/0047
See application file for complete search history.

Primary Examiner — Karen S Acker
(74) *Attorney, Agent, or Firm* — Barry Choobin; Patent
360

(57) **CLAIM**

The ornamental design for a paper tissue, as shown and described.

DESCRIPTION

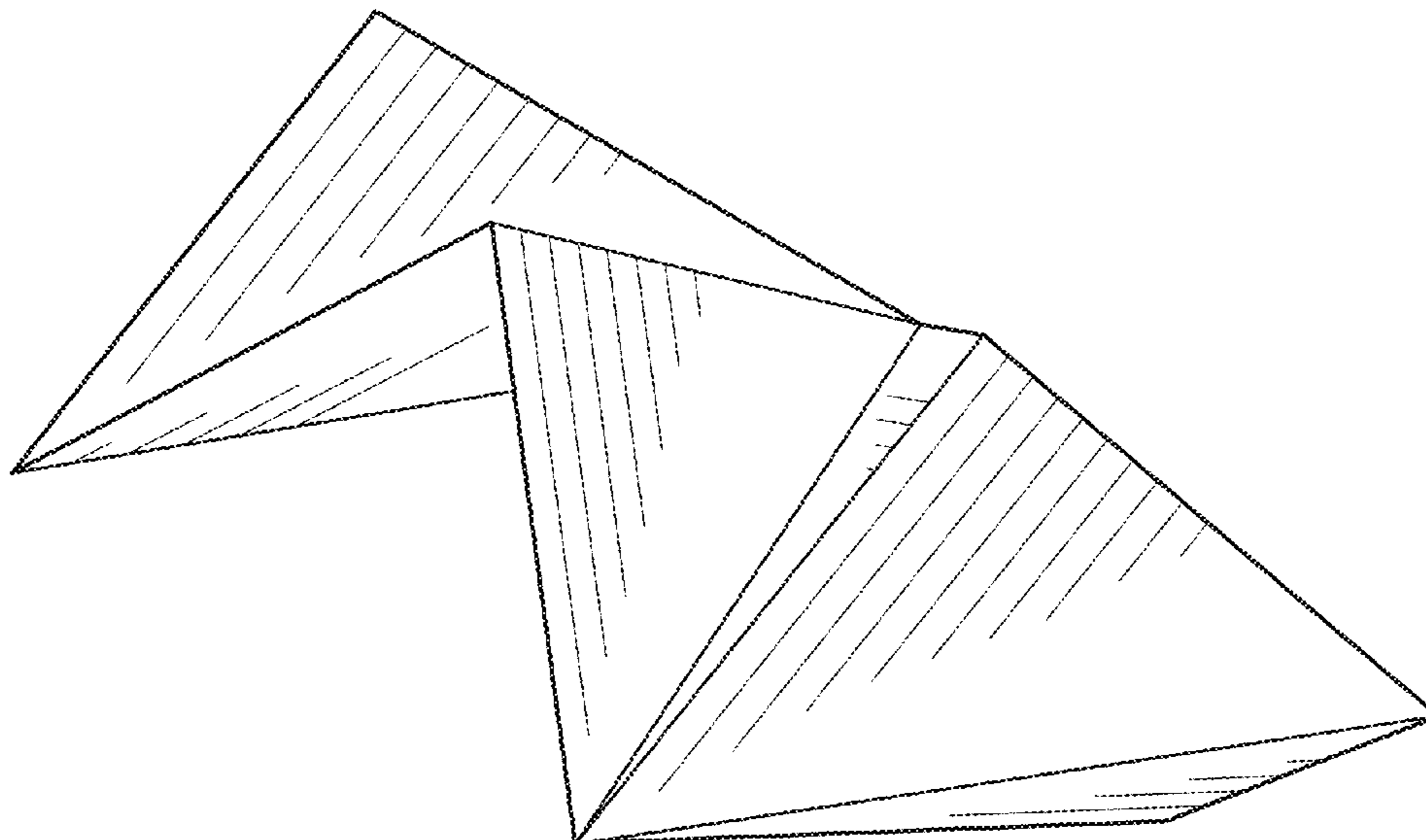
(56) **References Cited**

U.S. PATENT DOCUMENTS

232,140 A * 9/1880 Mason A63F 9/10
D25/138
1,997,022 A * 4/1935 Stalker A63F 9/088
D11/89
D196,101 S * 8/1963 Bittner 52/81.4
D199,733 S * 12/1964 Hastings 135/87
3,302,321 A * 2/1967 Walker A63F 9/088
428/12
3,445,970 A * 5/1969 Nelson E04B 7/107
D25/19
3,708,910 A * 1/1973 Skillman A63H 33/088
446/117
3,868,295 A * 2/1975 Boone, Jr. E04B 7/107
52/DIG. 10

FIG. 1 is a perspective view of a paper tissue, showing my new design;
FIG. 2 is a front view thereof;
FIG. 3 is a back view thereof;
FIG. 4 is a top view thereof;
FIG. 5 is a bottom view thereof;
FIG. 6 is a right-side view thereof;
FIG. 7 is a left-side view thereof; and,
FIG. 8 is a perspective view of the paper tissue of FIG. 1 shown in a position of use with an unclaimed stack of paper tissues.
The broken lines depict environmental subject matter that forms no part of the claimed design.

1 Claim, 7 Drawing Sheets



(56)

References Cited

U.S. PATENT DOCUMENTS

D418,308 S * 1/2000 Lu D5/99
 D513,808 S * 1/2006 Zwaan D25/138
 D607,214 S * 1/2010 Brooks D5/59
 D644,341 S * 8/2011 Martin D25/138
 D644,751 S * 9/2011 Martin D25/138
 D644,752 S * 9/2011 Martin D25/138
 D645,578 S * 9/2011 Martin D25/138
 D651,728 S * 1/2012 Martin D25/138
 D673,779 S * 1/2013 Takahashi D5/54
 D677,429 S 3/2013 Muhammad
 D677,962 S 3/2013 Phillips
 D679,836 S * 4/2013 Niroumandrad D25/138
 D680,749 S * 4/2013 Takahashi D5/54
 D686,348 S * 7/2013 Martin D25/138
 D722,232 S 2/2015 Rogers
 D752,245 S * 3/2016 Klemer D25/138
 D764,968 S * 8/2016 Abbosh D11/142
 D810,323 S * 2/2018 Gigli D25/138
 D848,033 S * 5/2019 Raab D25/138
 D899,633 S * 10/2020 Muller D25/138
 D903,151 S * 11/2020 Chao D25/138
 D950,777 S * 5/2022 Stants D25/138
 2011/0039041 A1 * 2/2011 Williams G09F 1/00
 493/405
 2013/0120676 A1 * 5/2013 Iwahashi B42D 15/00
 359/465

FOREIGN PATENT DOCUMENTS

EM 001363675-0004 6/2015
 WO WO-D076889-004 3/2012

* cited by examiner

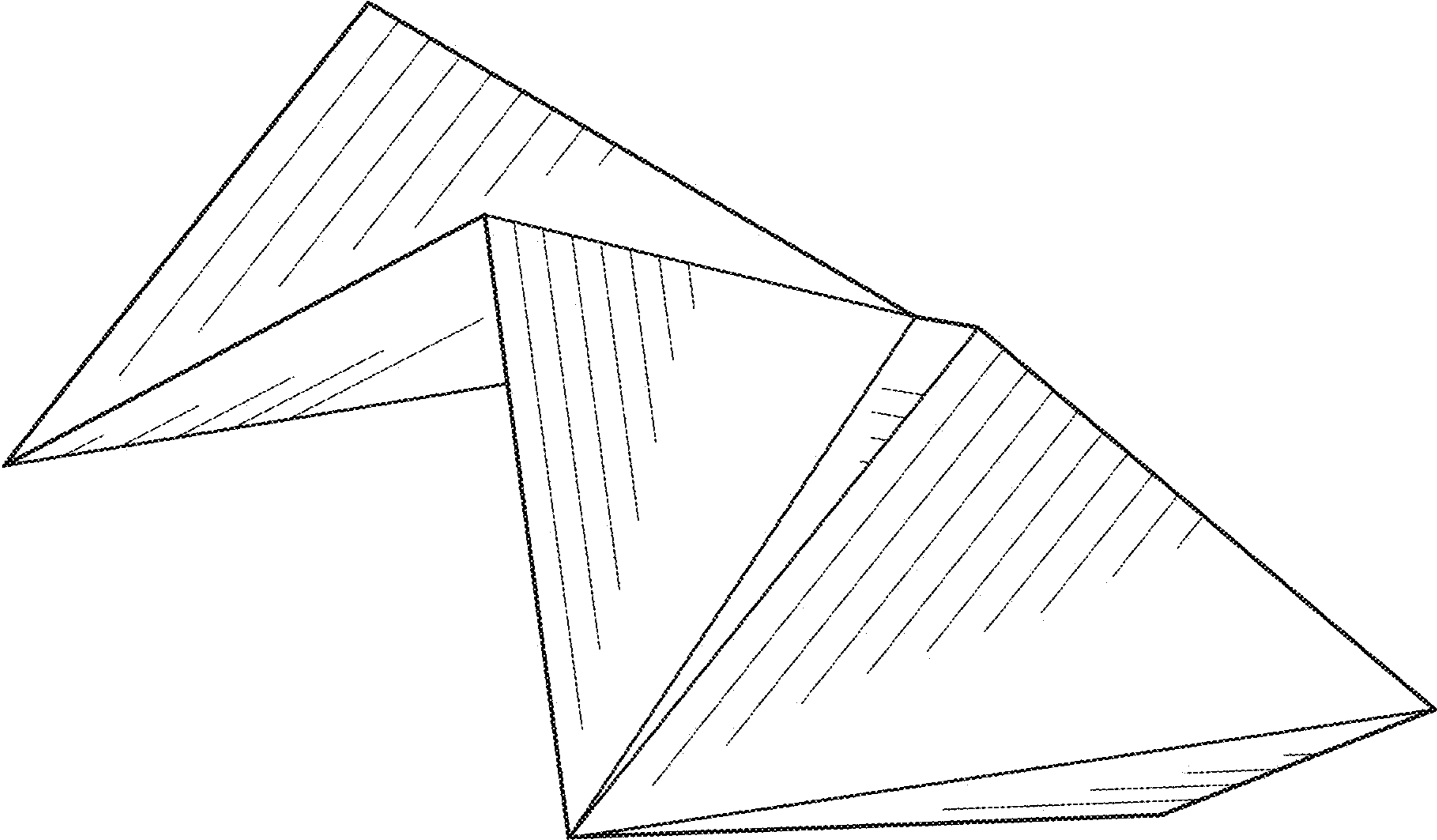


FIG. 1

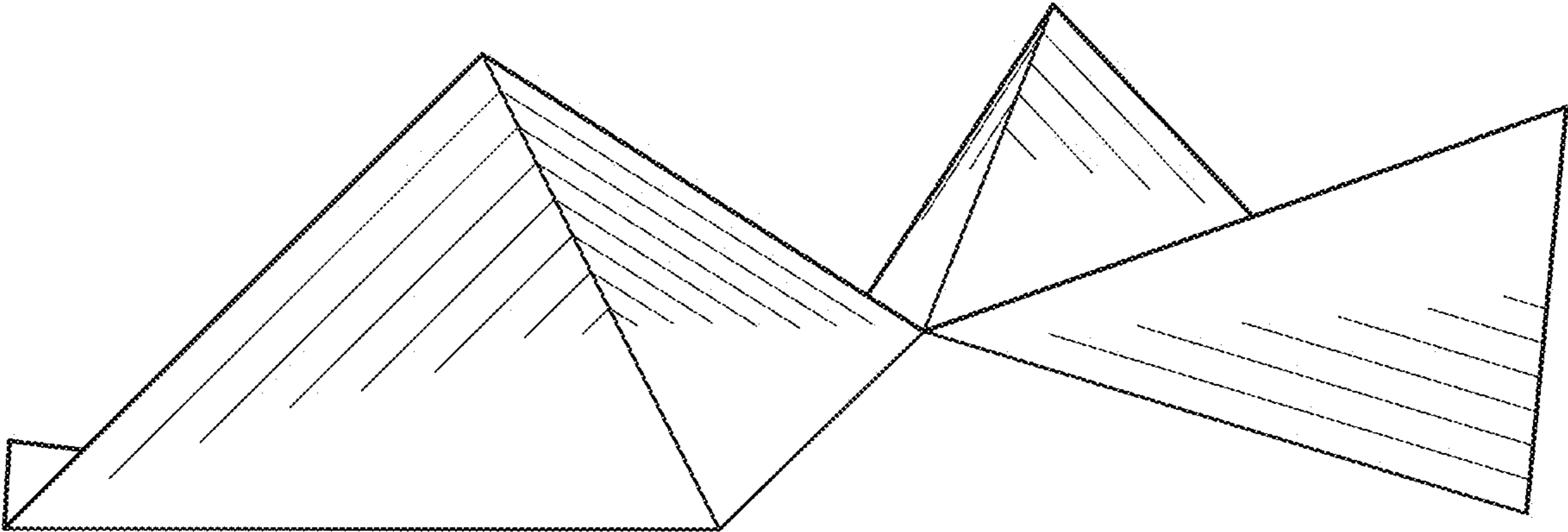


FIG. 2

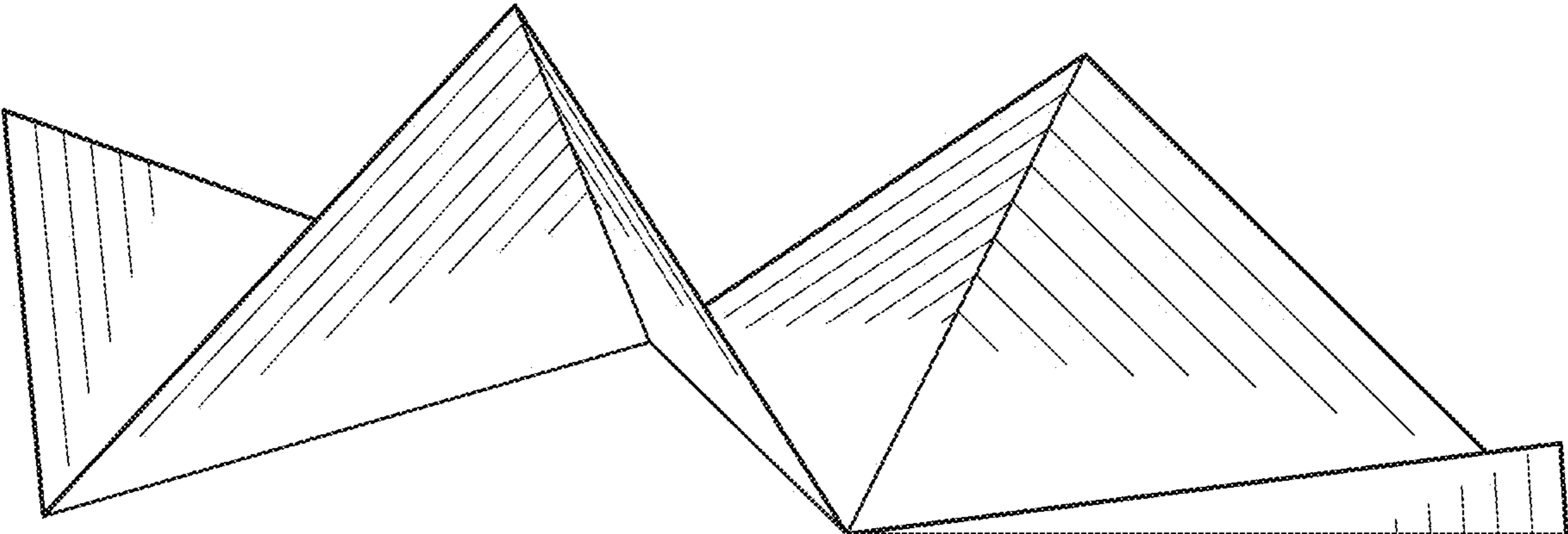


FIG. 3

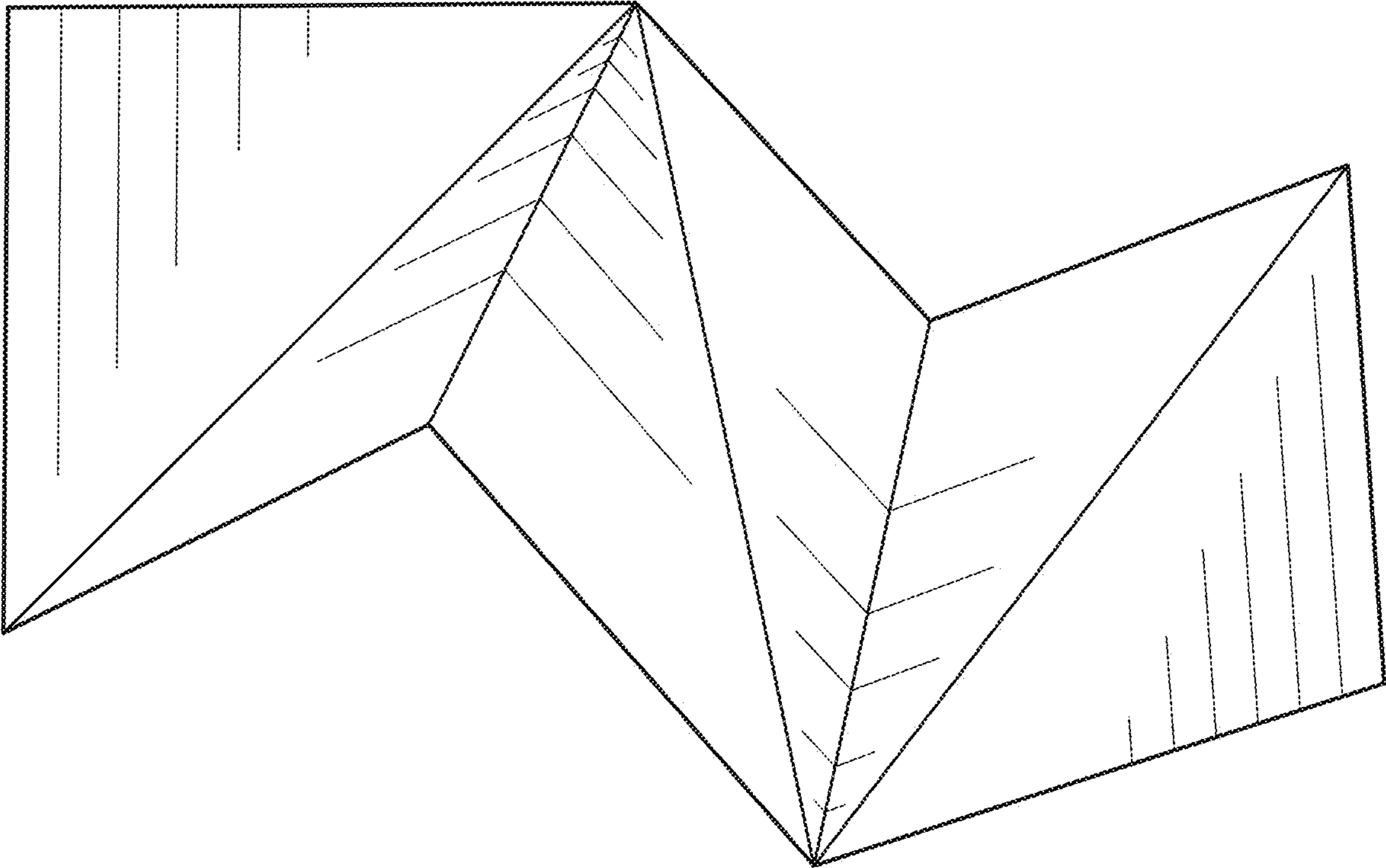


FIG. 4

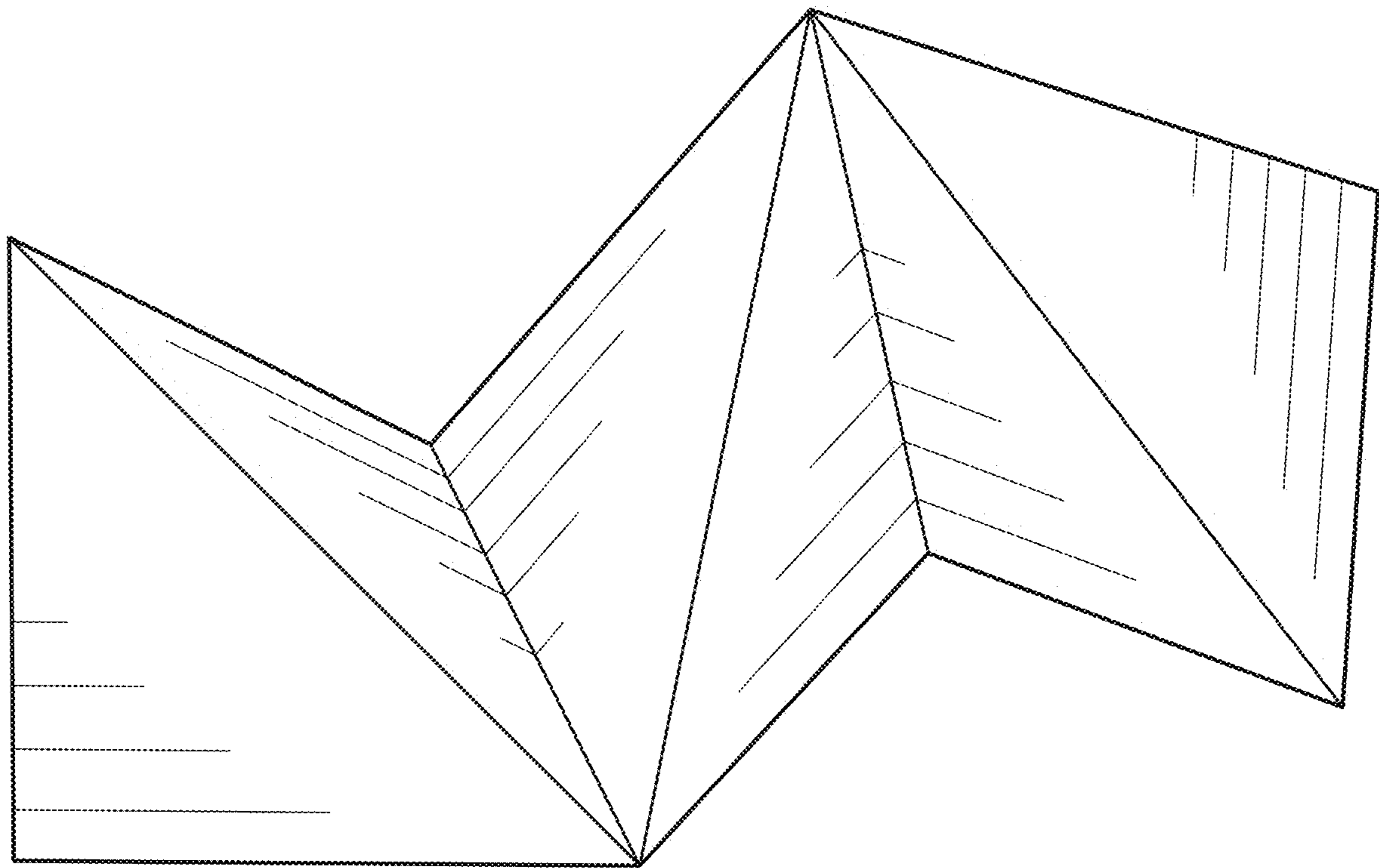


FIG. 5

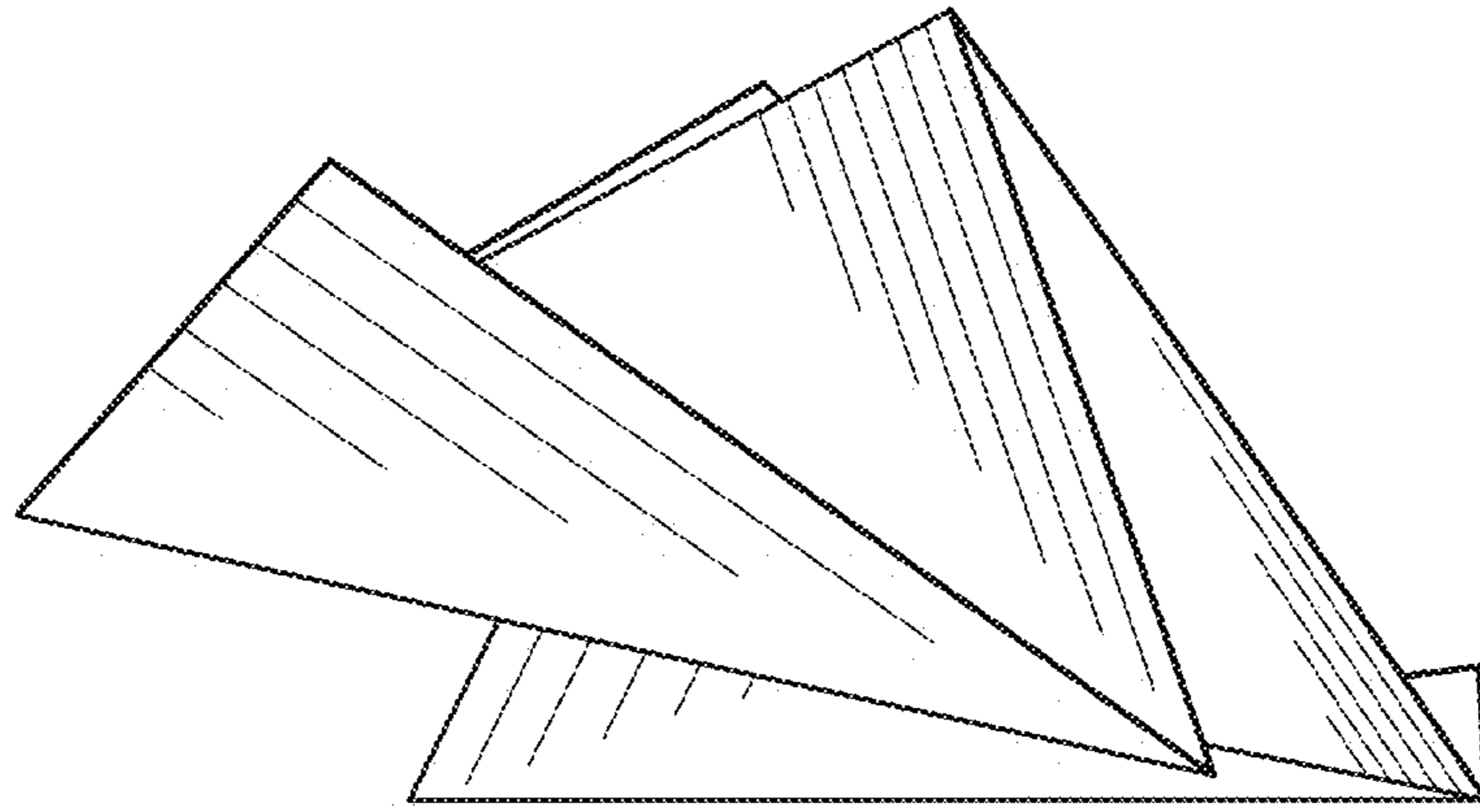


FIG. 6

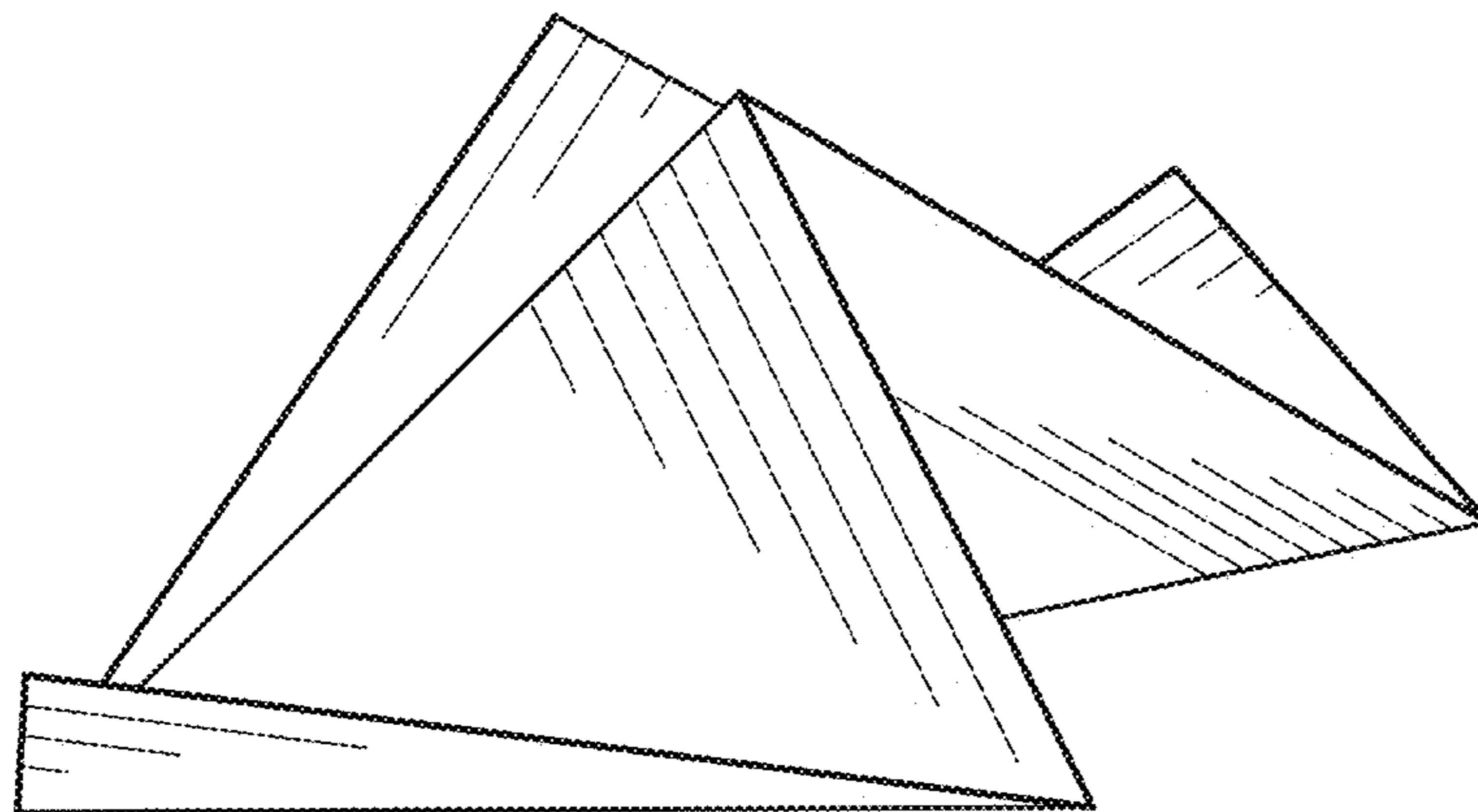


FIG. 7

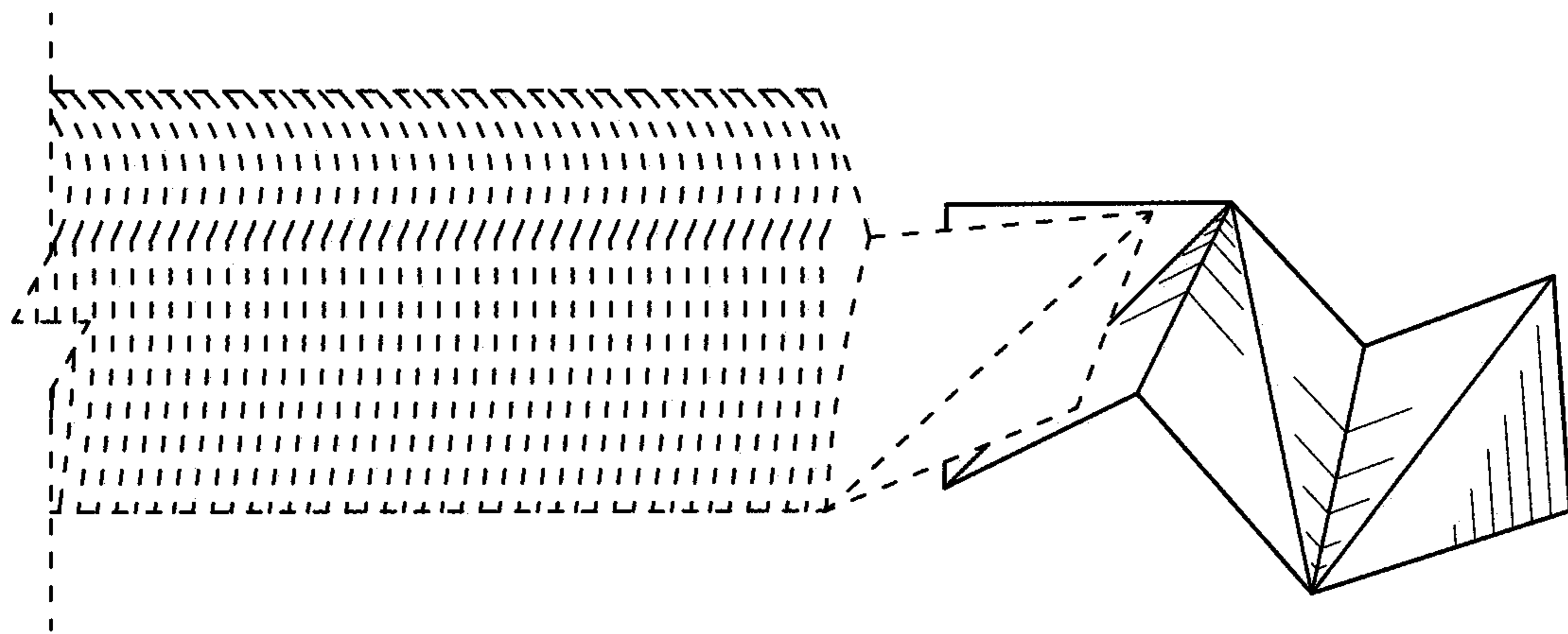


FIG. 8