

US00D972308S

(12) **United States Design Patent**  
**Zhang**

(10) **Patent No.:** **US D972,308 S**

(45) **Date of Patent:** **\*\* Dec. 13, 2022**

(54) **FACE CLEANSING INSTRUMENT**

(71) Applicant: **Shiping Zhang**, Shenzhen (CN)

(72) Inventor: **Shiping Zhang**, Shenzhen (CN)

(\*\*) Term: **15 Years**

(21) Appl. No.: **29/836,567**

(22) Filed: **Apr. 27, 2022**

(51) **LOC (13) Cl.** ..... **04-02**

(52) **U.S. Cl.**

USPC ..... **D4/102**; D4/100

(58) **Field of Classification Search**

USPC ..... D4/101, 102, 104, 114, 116, 118, 120,  
D4/121, 125, 132, 134, 138, 100,  
D4/105–113, 137; D28/9, 10, 13, 21, 23,  
D28/24, 25, 26, 28, 29, 30, 35

CPC ..... A46B 9/023; A46B 2200/102; A46B  
2200/104; A46B 11/00; A46B 11/0037

See application file for complete search history.

(56) **References Cited**

**U.S. PATENT DOCUMENTS**

D199,115 S *	9/1964	Wedemeyer	.....	D4/102
D301,398 S *	6/1989	Cheung	.....	D32/14.1
D352,828 S *	11/1994	Chen	.....	D4/127
D493,621 S *	8/2004	Wilson	.....	D4/138
D573,346 S *	7/2008	Daubenspeck	.....	D4/127
D683,139 S *	5/2013	Chikos	.....	D4/127
D693,932 S *	11/2013	Nichols	.....	D4/138
D705,422 S *	5/2014	Burton	.....	D24/112
D708,440 S *	7/2014	Owen	.....	D4/102

D728,242 S *	5/2015	Kim	.....	D4/127
D736,462 S *	8/2015	Hendler	.....	D28/20
9,351,559 B2 *	5/2016	Pardo	.....	A47K 7/043
D803,572 S *	11/2017	Nichols	.....	D4/102
D844,996 S *	4/2019	Kymm	.....	D4/102
D873,569 S *	1/2020	Nichols	.....	D4/102
D884,356 S *	5/2020	Jung	.....	D28/9
D893,882 S *	8/2020	Dong	.....	
D894,611 S *	9/2020	Wong	.....	D4/102
D919,299 S *	5/2021	Jin	.....	D4/134
D936,288 S *	11/2021	Zou	.....	D28/50

\* cited by examiner

*Primary Examiner* — Rebekah A Caruso

(74) *Attorney, Agent, or Firm* — Georgi Korobanov

(57) **CLAIM**

The ornamental design for a face cleansing instrument, as shown and described.

**DESCRIPTION**

FIG. 1 is a perspective view of a face cleansing instrument, showing my new design;

FIG. 2 is another perspective view thereof;

FIG. 3 is a front view thereof;

FIG. 4 is a rear view thereof;

FIG. 5 is a left side view thereof;

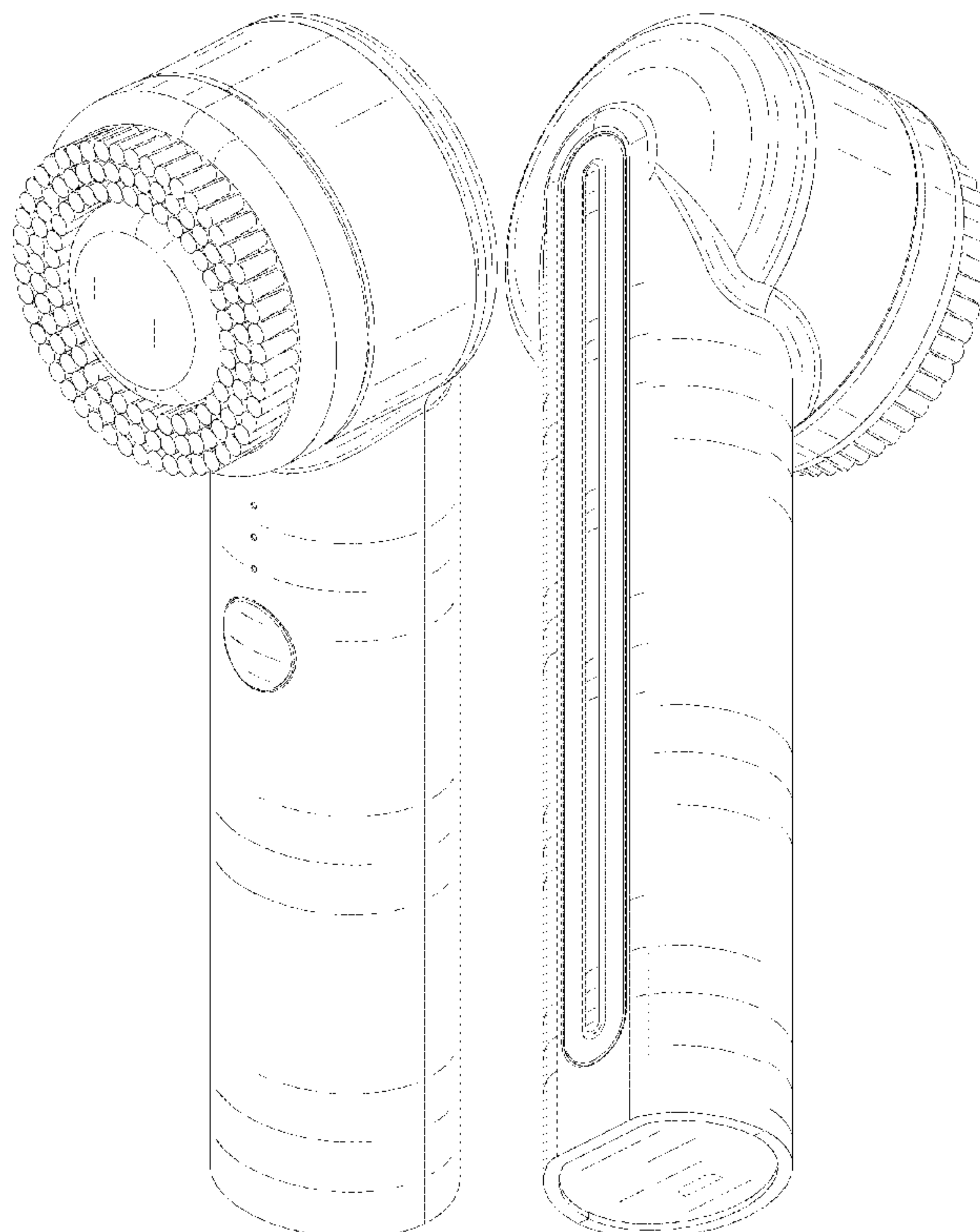
FIG. 6 is a right side view thereof;

FIG. 7 is a top plan view thereof; and,

FIG. 8 is a bottom plan view thereof.

The broken line showing of the face cleansing instrument is for the purpose of illustrating portions of the article that form no part of the claimed design.

**1 Claim, 8 Drawing Sheets**



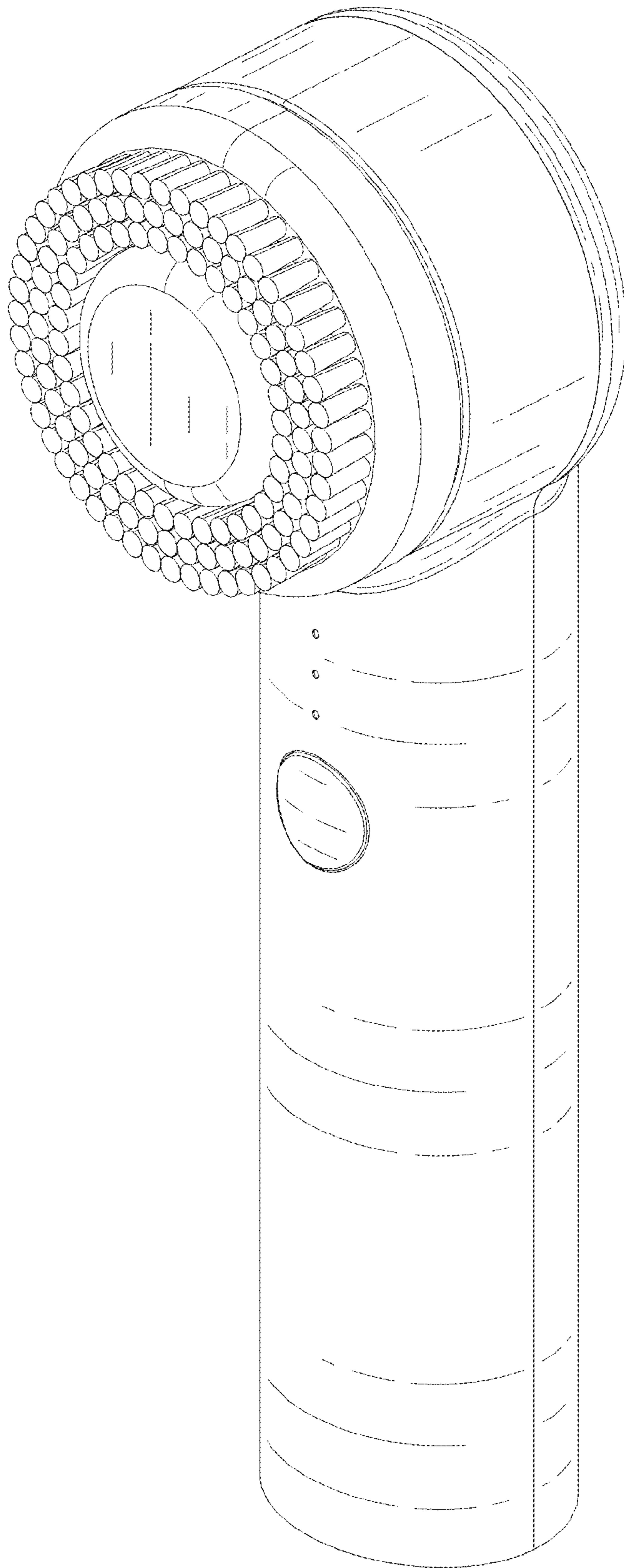


FIG. 1

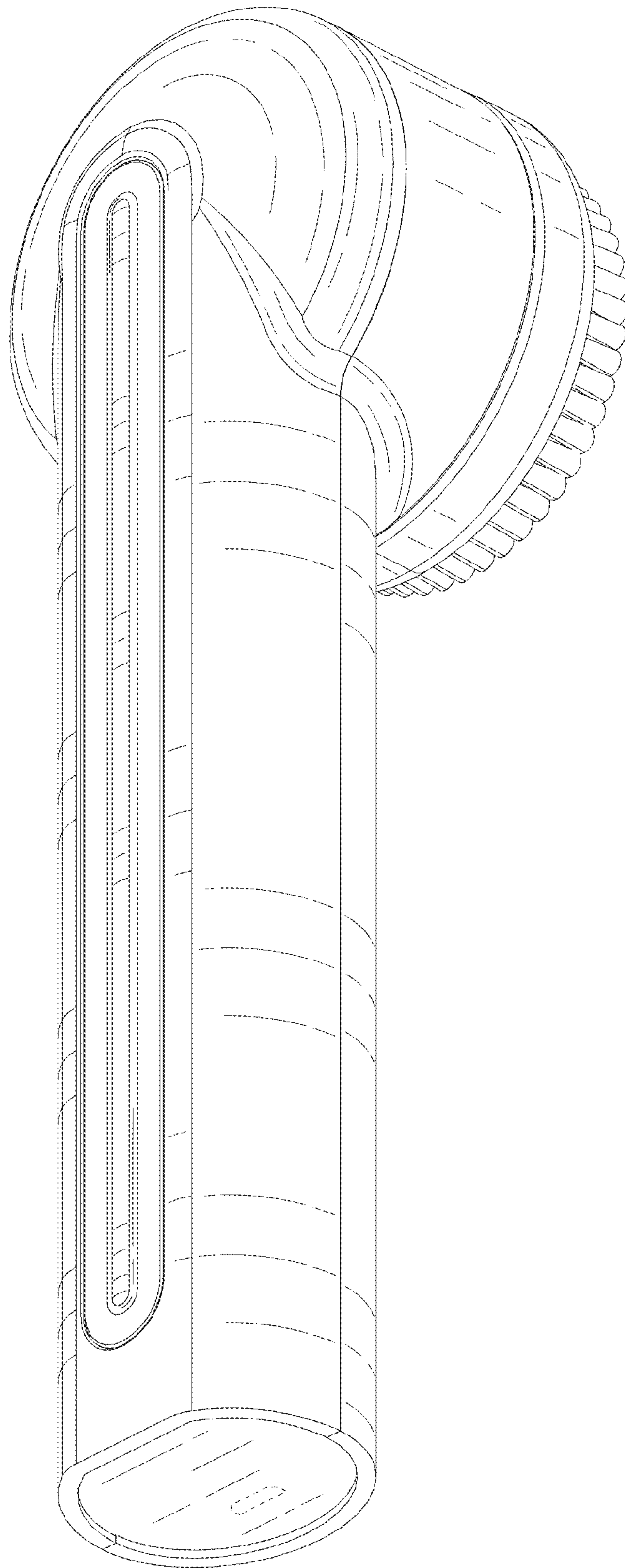


FIG. 2

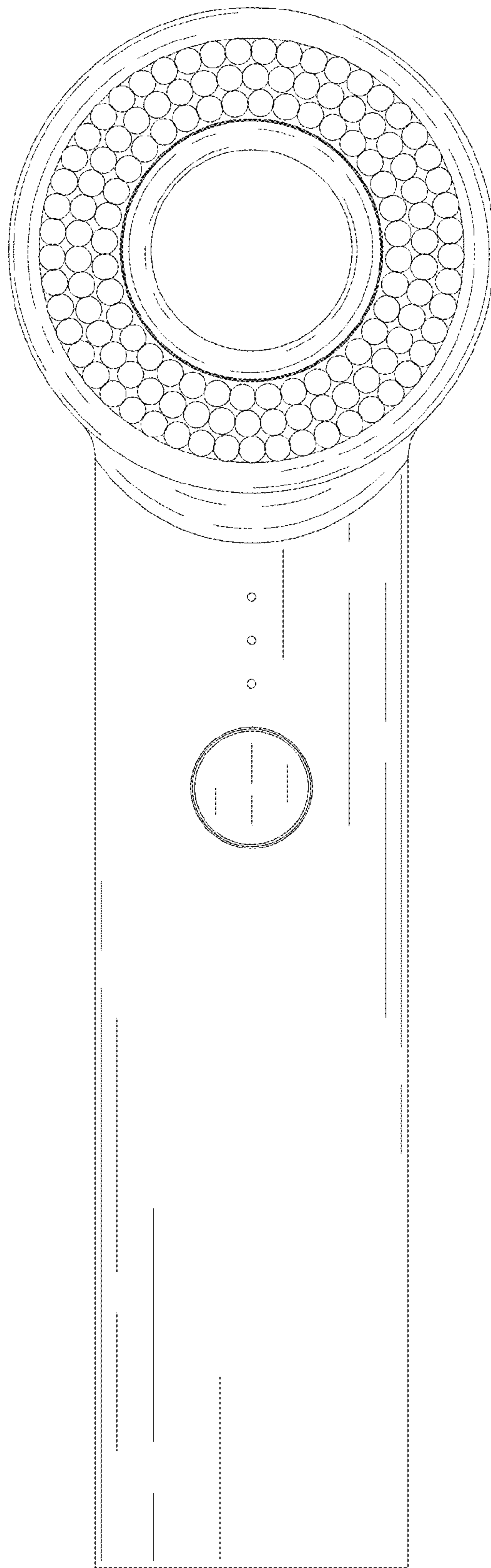


FIG. 3



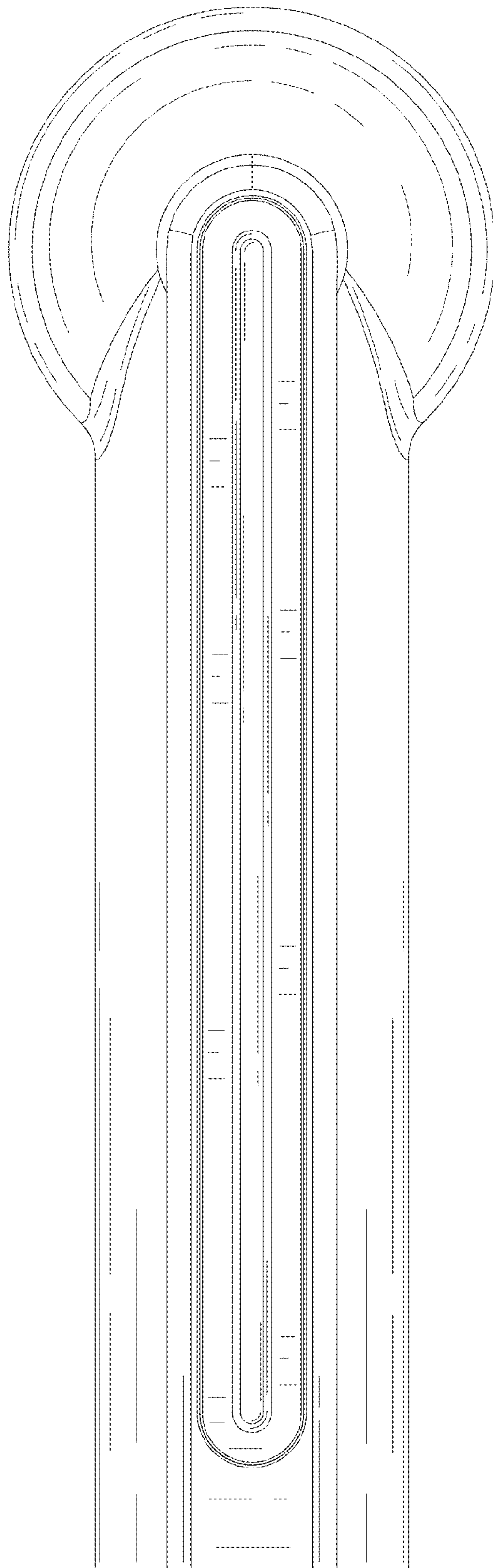


FIG. 4

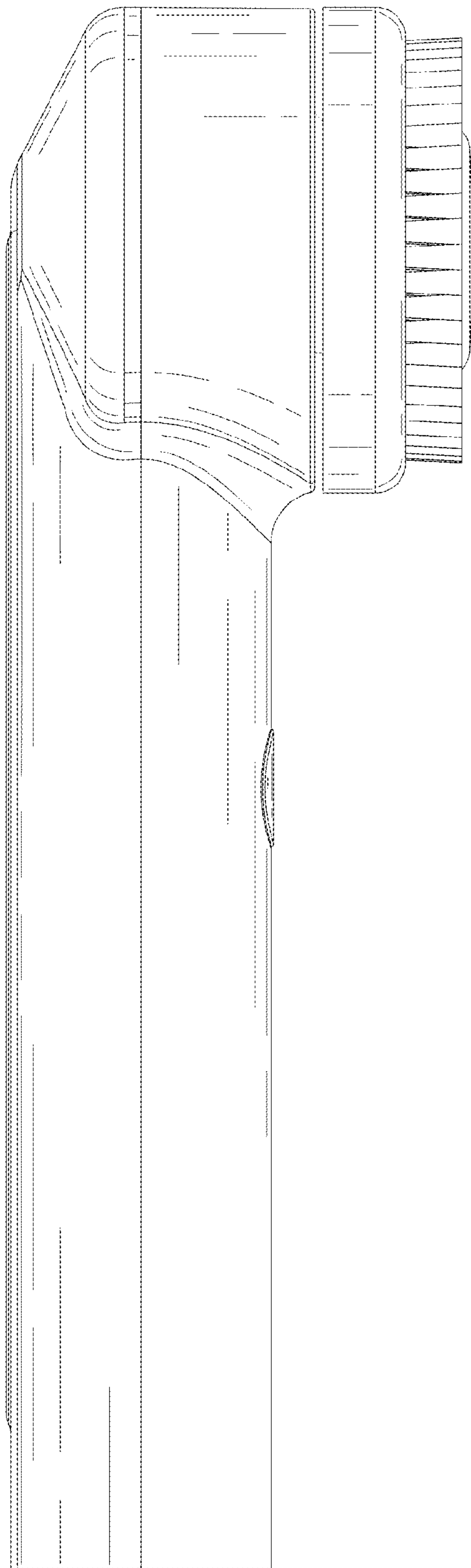


FIG. 5

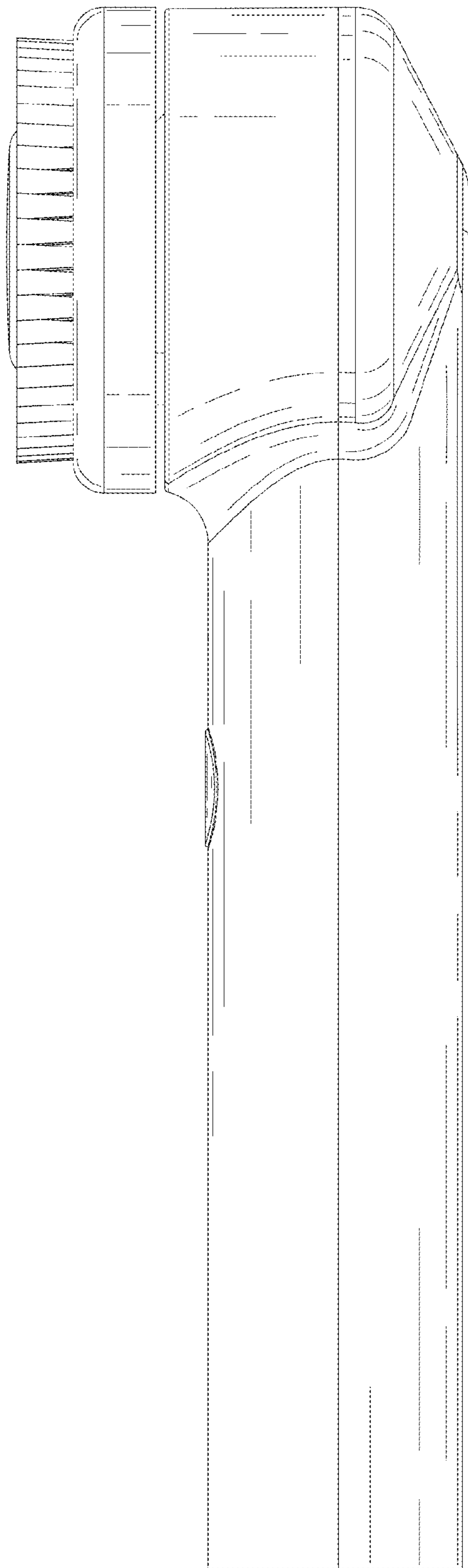


FIG. 6

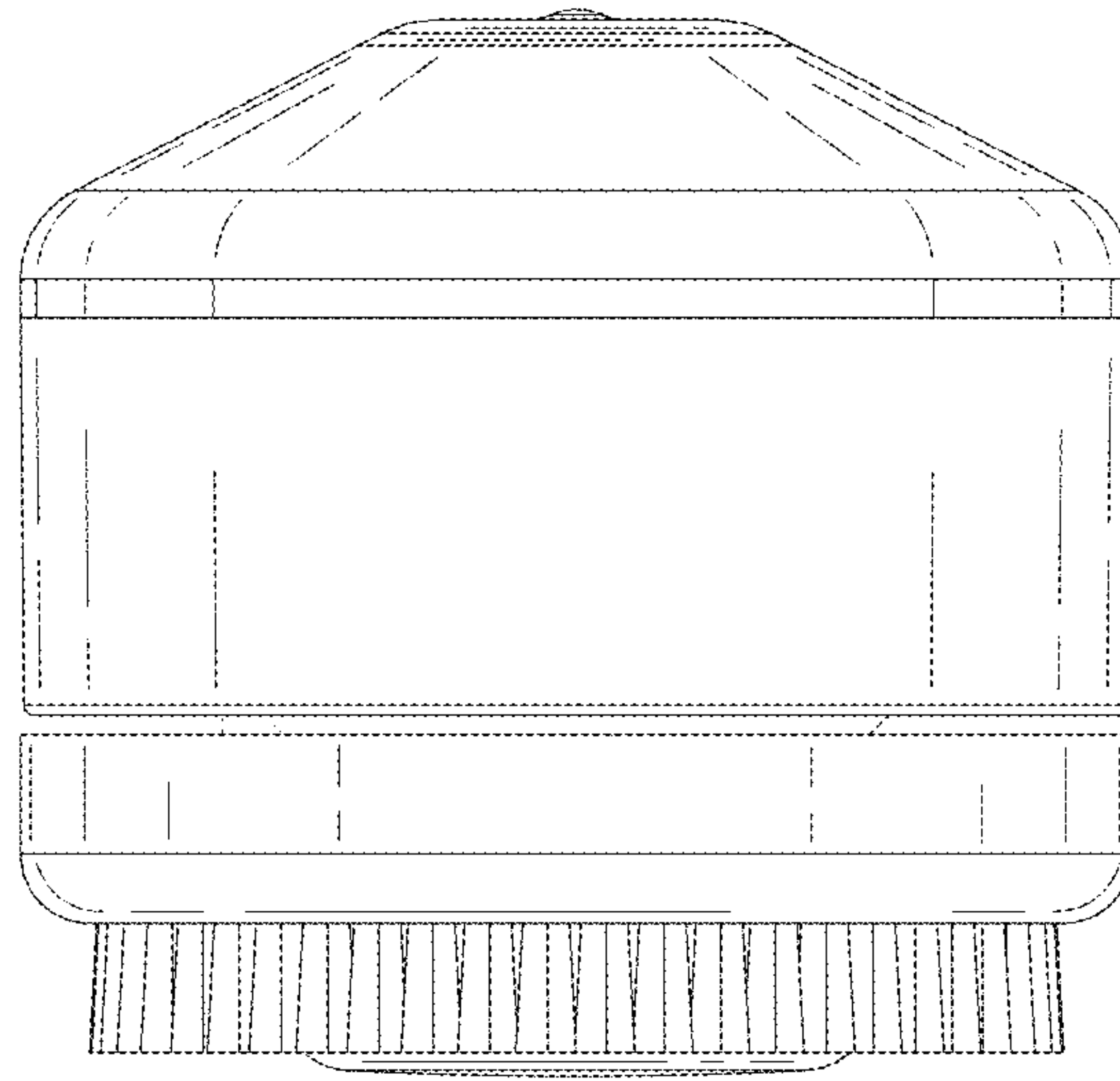


FIG. 7



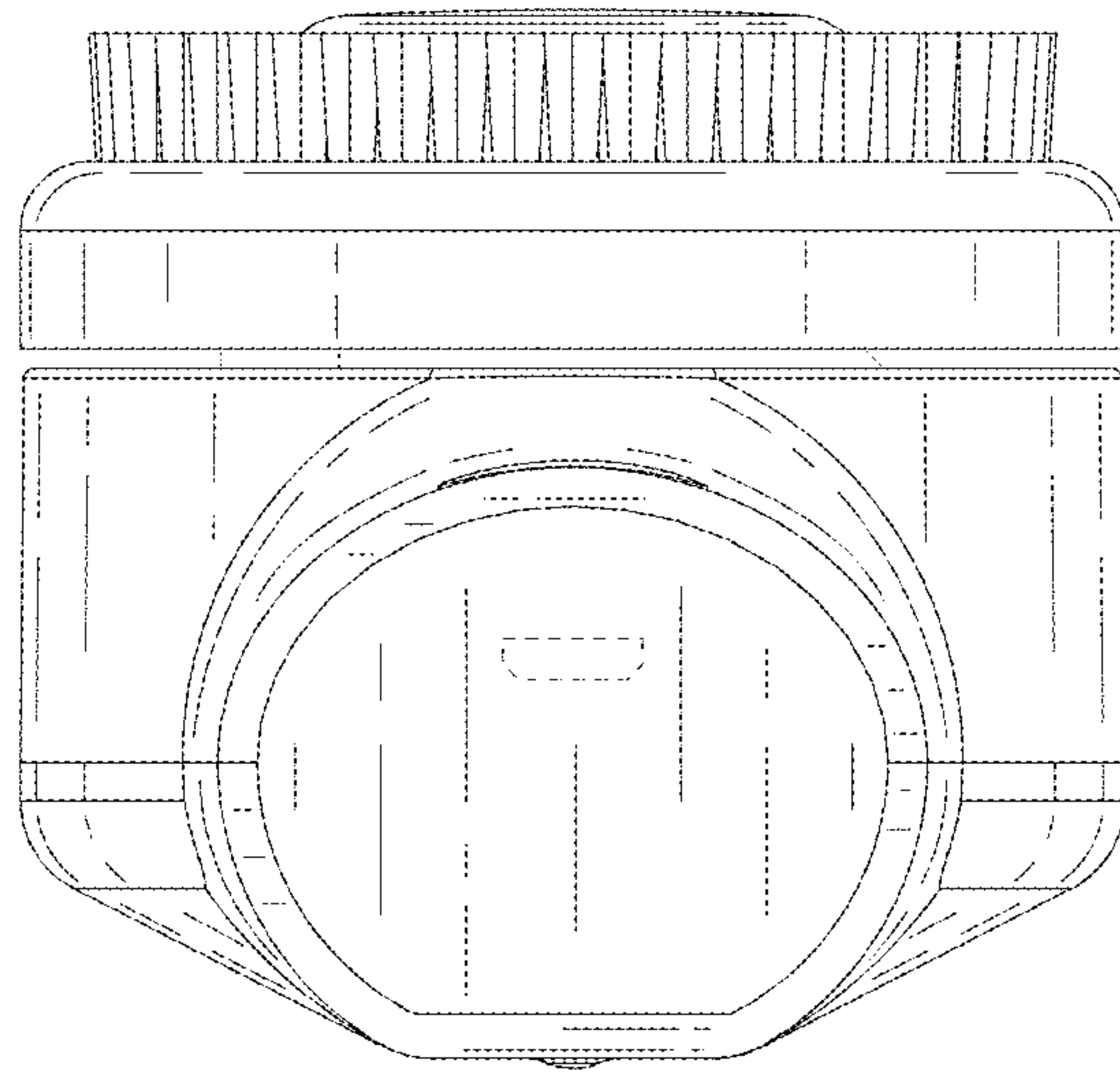


FIG. 8