



US00D972303S

(12) **United States Design Patent** (10) **Patent No.:** **US D972,303 S**
Hallein et al. (45) **Date of Patent:** **** Dec. 13, 2022**

(54) **BATTERY OPERATED TOOTHBRUSH**

D930,989 S * 9/2021 Albay D4/101
D942,686 S * 2/2022 Goeder D28/51
11,369,462 B2 * 6/2022 Fritsch A61C 17/222

(71) Applicant: **Braun GmbH**, Kronberg (DE)

(72) Inventors: **Christine Hallein**, Frankfurt (DE);
Soren Jan Wasow, Langenselbold (DE); **Zhou Pei**, Shanghai (CN); **Tan Than Chong**, Shanghai (CN); **Zhao Long**, Shanghai (CN)

FOREIGN PATENT DOCUMENTS

GB 2093277 * 6/2000
GB 8087319000-3000 * 8/2015
WO WO-D071864-001 * 6/2010
WO WO-D211750-008 * 12/2021

(73) Assignee: **Braun GmbH**, Kronberg (DE)

* cited by examiner

(**) Term: **15 Years**

Primary Examiner — Karen E Eldridge Powers

(74) *Attorney, Agent, or Firm* — Vladimir Vitenberg

(21) Appl. No.: **29/750,888**

(57) **CLAIM**

The ornamental design for a battery-operated toothbrush, as shown and described.

(22) Filed: **Sep. 17, 2020**

(51) **LOC (13) Cl.** **28-03**

(52) **U.S. Cl.**
USPC **D4/101**

DESCRIPTION

(58) **Field of Classification Search**
USPC D4/101, 104, 105, 106, 107, 108, 109,
D4/110, 111, 112, 113
CPC A46B 9/04; A46B 2200/1066
See application file for complete search history.

FIG. 1 is a front, top and left side perspective view of a first embodiment of a battery operated toothbrush;
FIG. 2 is a front elevational view thereof;
FIG. 3 is a right side elevational view thereof;
FIG. 4 is a rear side elevational view thereof;
FIG. 5 is a left side elevational view thereof;
FIG. 6 is a top plan view thereof;
FIG. 7 is a bottom plan view thereof;
FIG. 8 is a front, top and left side perspective view of a second embodiment of a battery operated toothbrush;
FIG. 9 is a front elevational view thereof;
FIG. 10 is a right side elevational view thereof;
FIG. 11 is a rear side elevational view thereof;
FIG. 12 is a left side elevational view thereof;
FIG. 13 is a top plan view thereof; and,
FIG. 14 is a bottom plan view thereof.

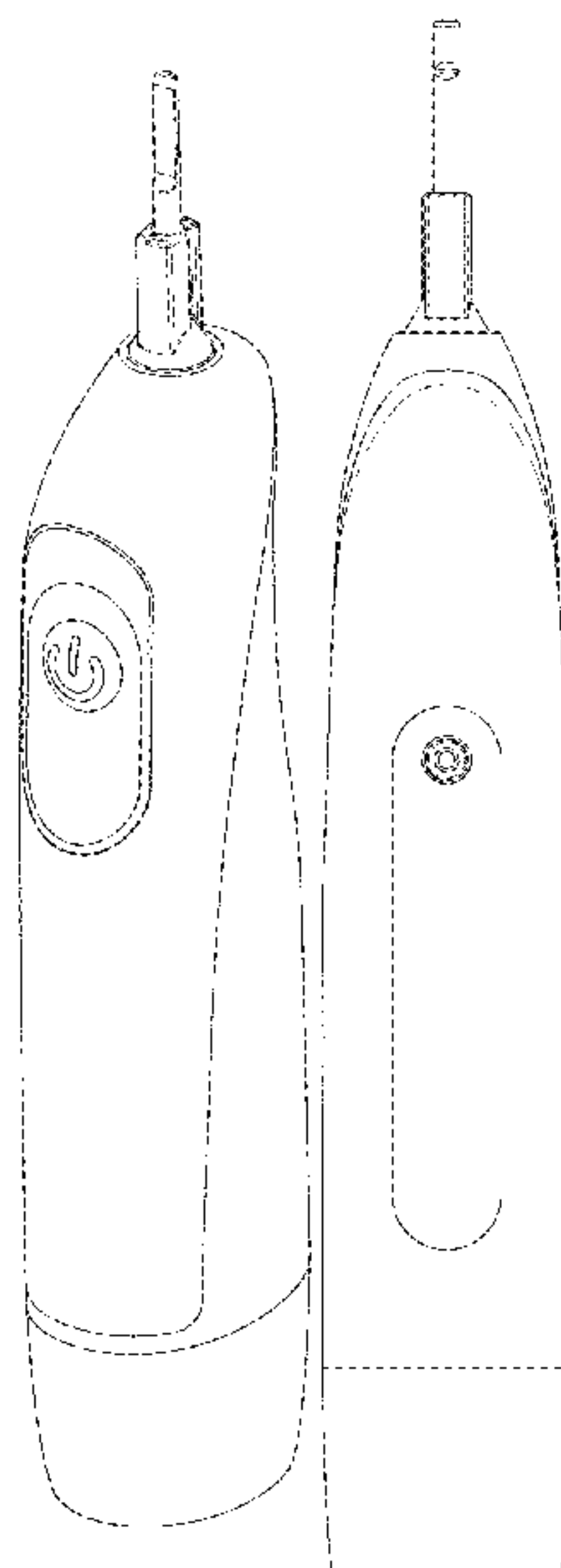
(56) **References Cited**

U.S. PATENT DOCUMENTS

D353,490 S * 12/1994 Hartwein D4/101
D773,822 S * 12/2016 Sikora D4/101
D788,469 S * 6/2017 McGarry D4/101
D791,485 S * 7/2017 McGarry D4/138
D801,696 S * 11/2017 McGarry D4/101
D814,195 S * 4/2018 Sikora D4/101
D819,973 S * 6/2018 Greve D4/101
10,502,291 B2 * 12/2019 Fritsch A61C 17/221
D881,584 S * 4/2020 Porter D4/104
10,631,964 B2 * 4/2020 Bloch A46B 5/0095
D889,844 S * 7/2020 Greve D4/101
D894,610 S * 9/2020 Albay D4/101
D929,130 S * 8/2021 Okai D4/101

Broken lines are used in the drawings to designate environmental structures, or parts of a battery-operated toothbrush, that form no part of the claim.

1 Claim, 6 Drawing Sheets



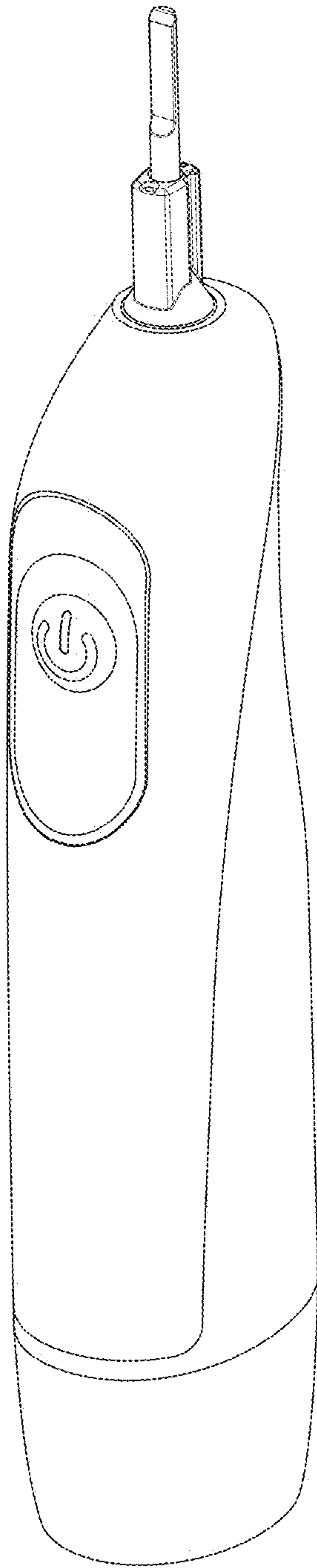


FIG. 1

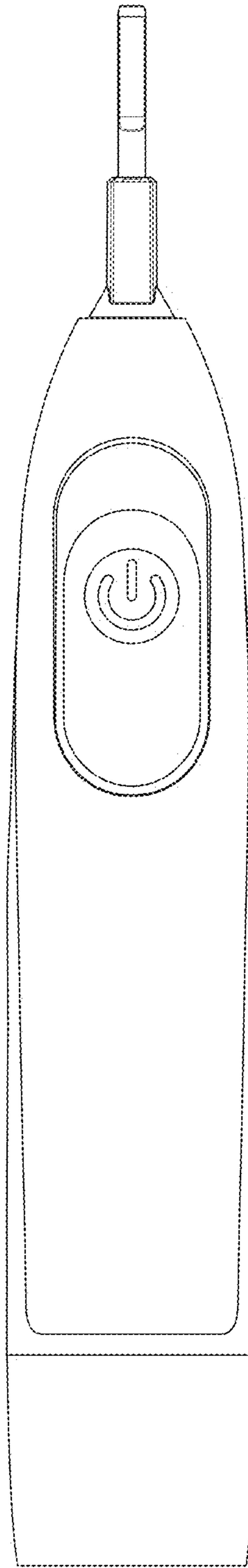


FIG. 2

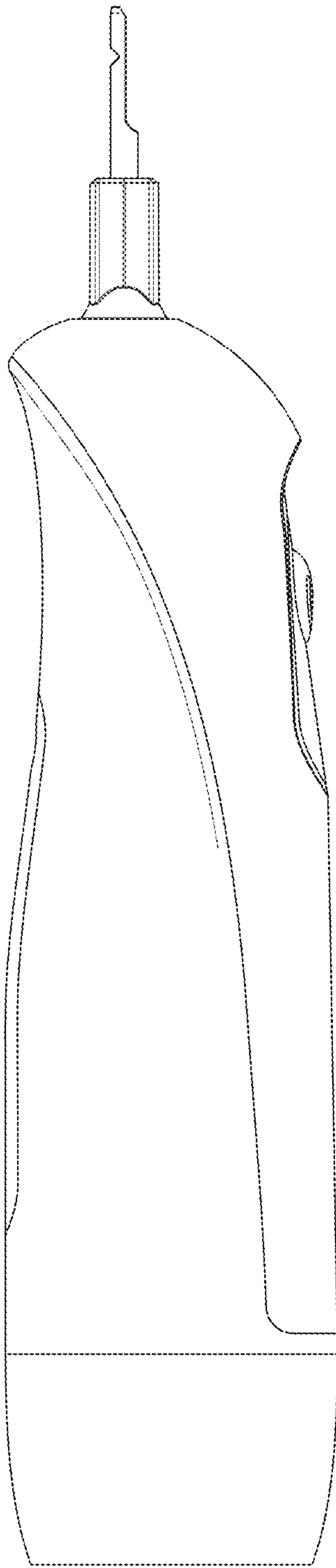


FIG. 3

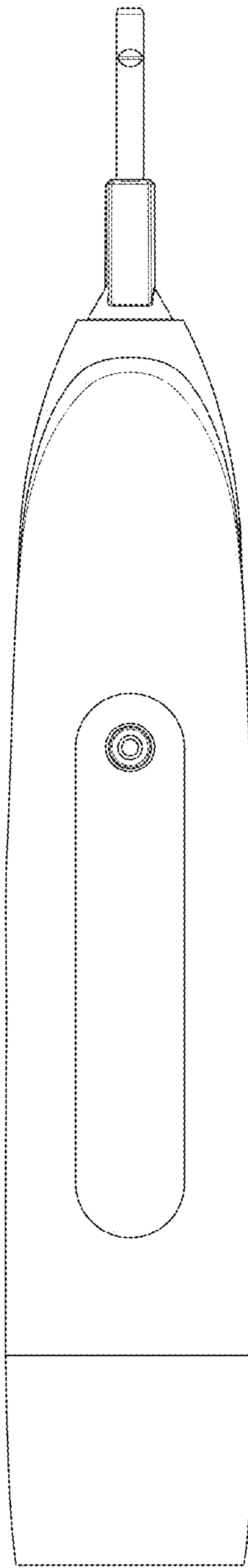


FIG. 4

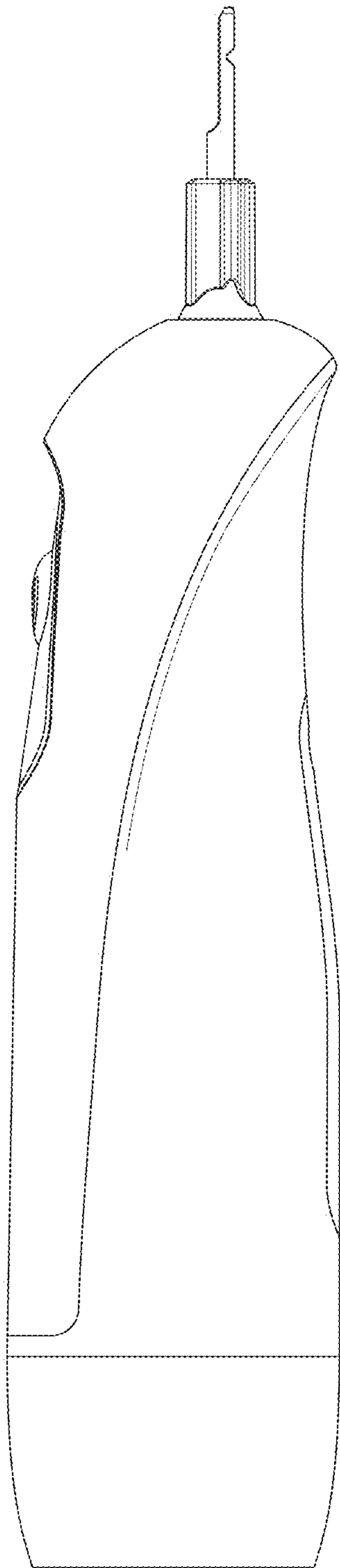


FIG. 5

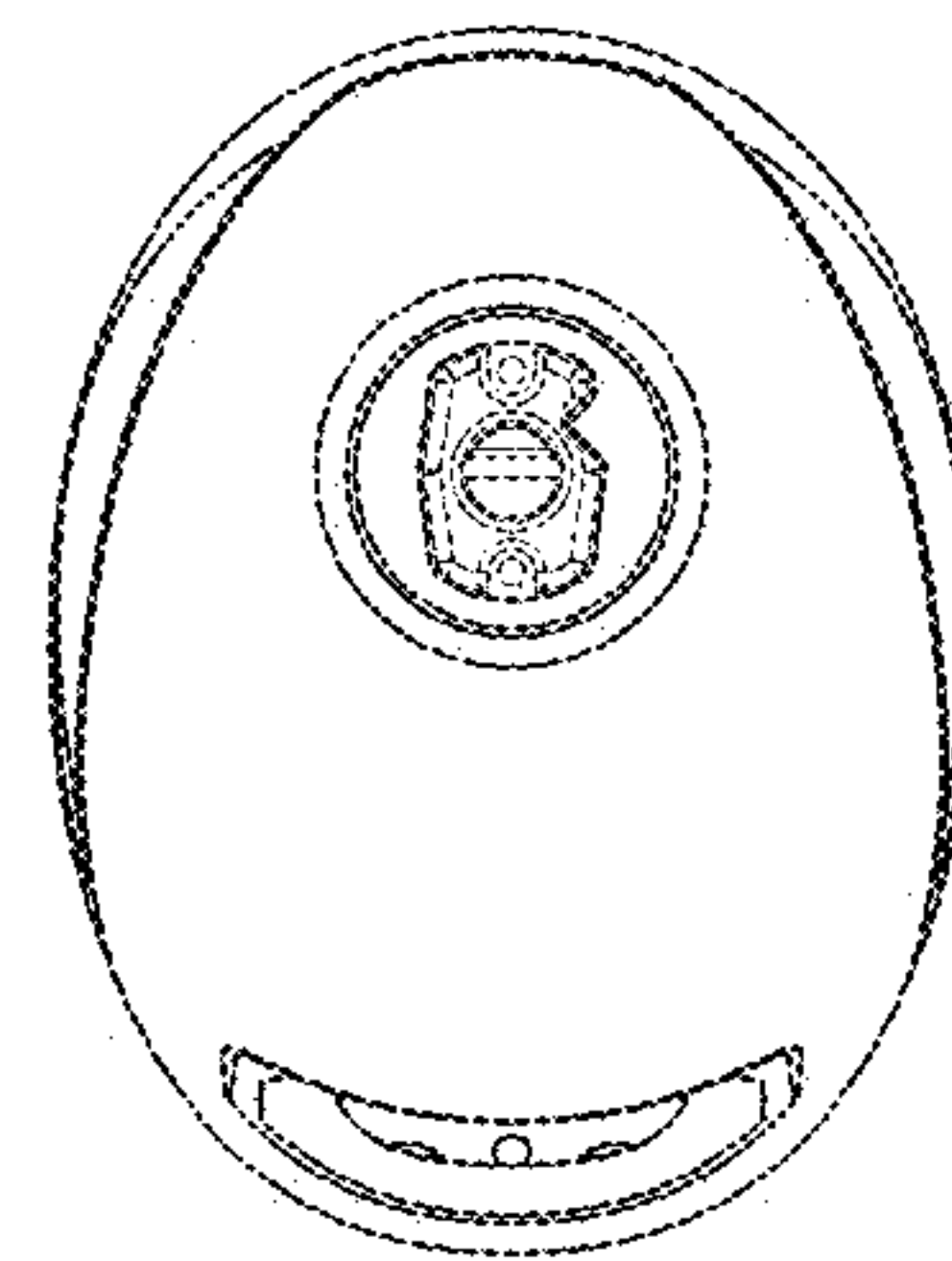


FIG. 6

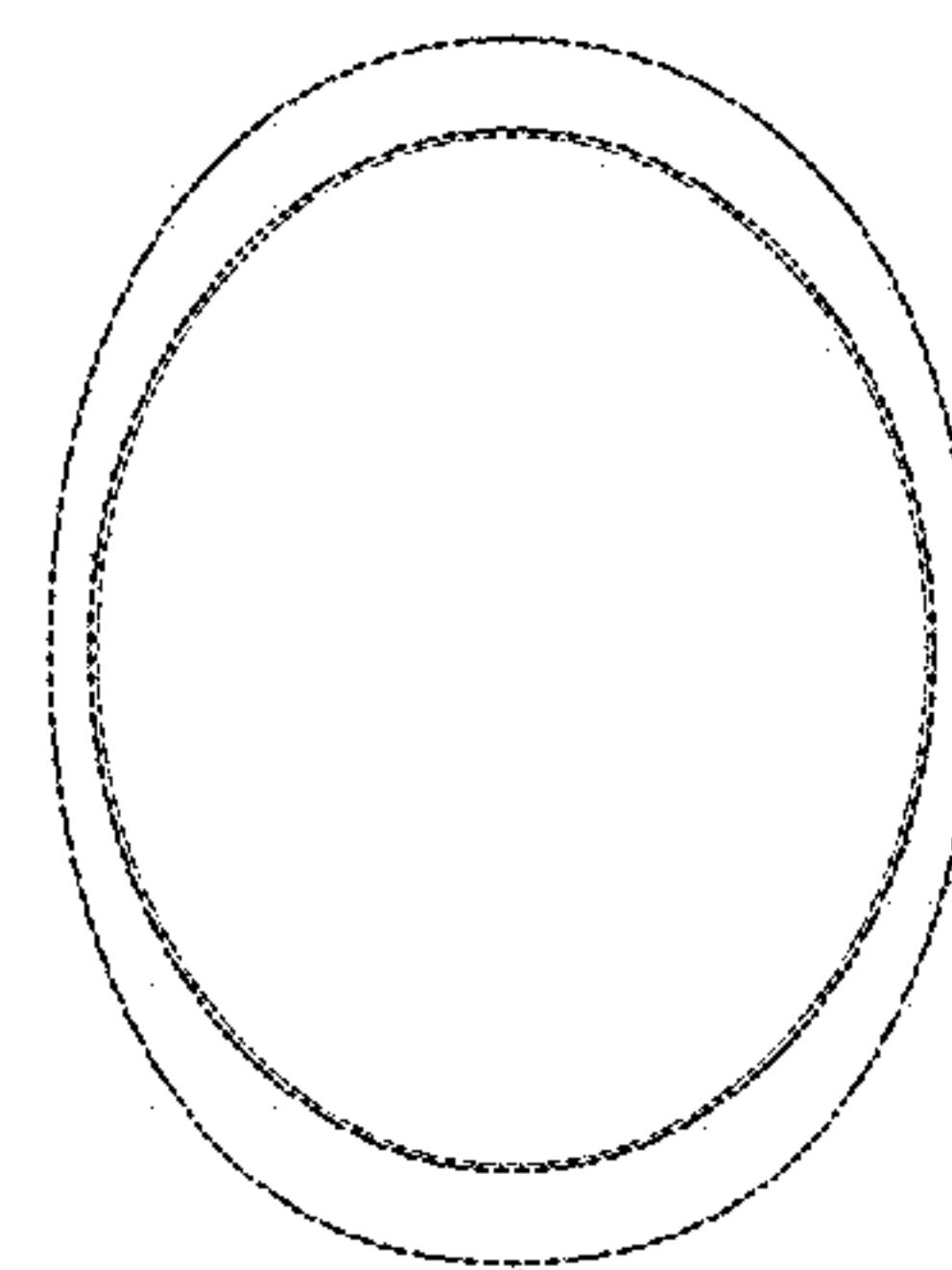


FIG. 7

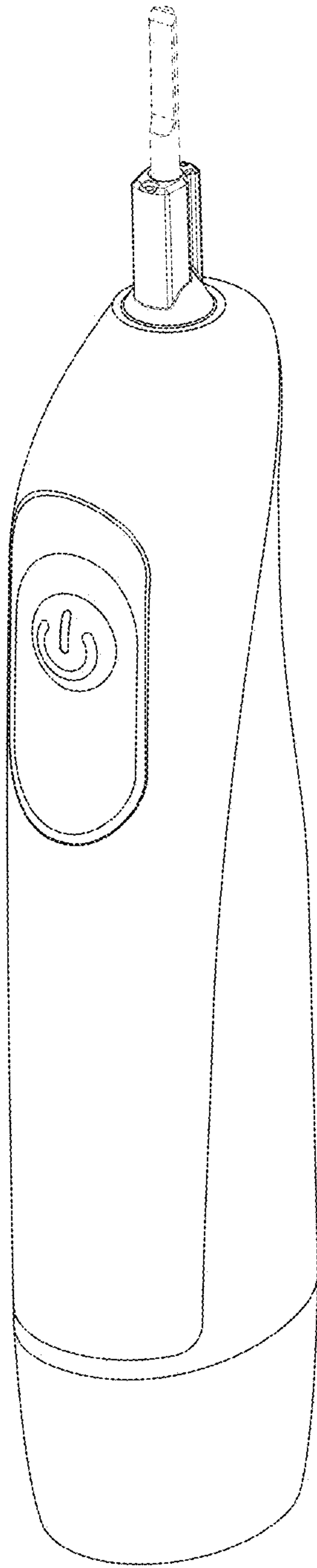


FIG. 8

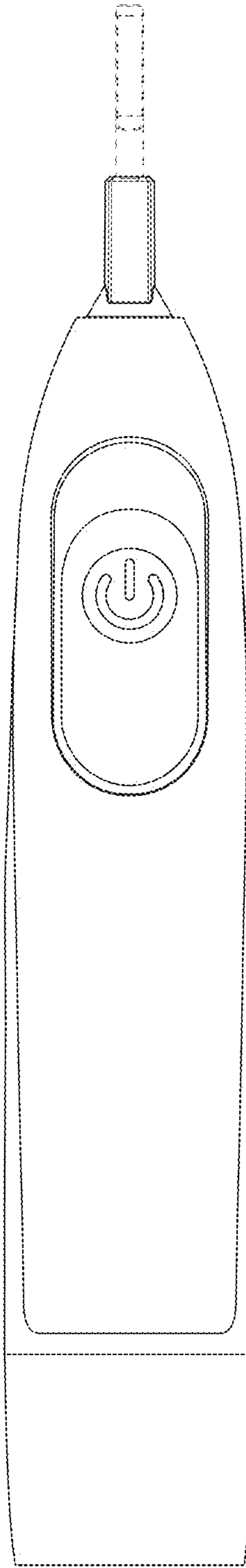


FIG. 9

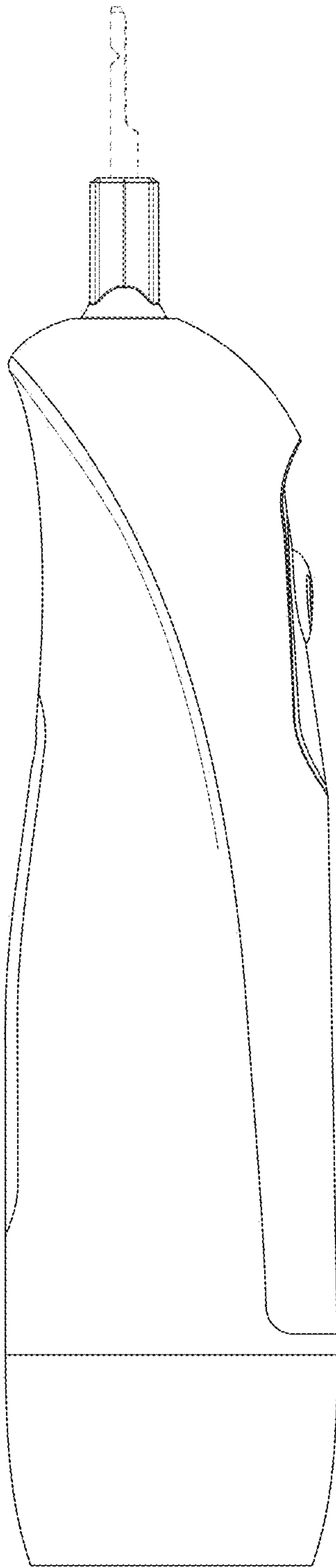


FIG. 10

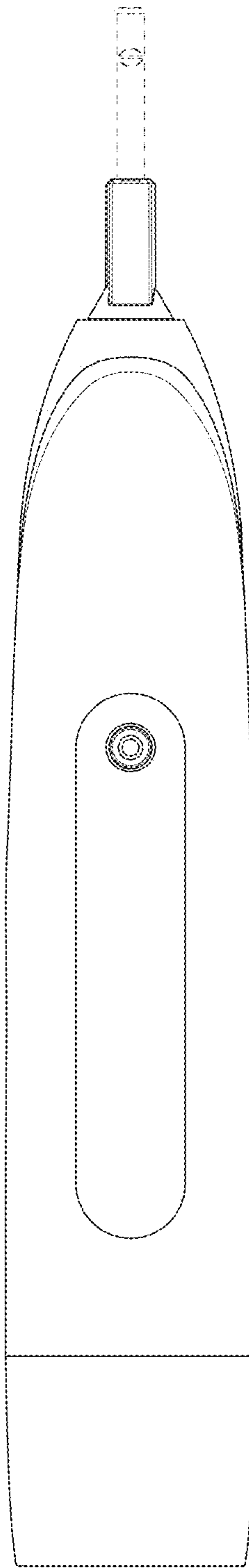


FIG. 11

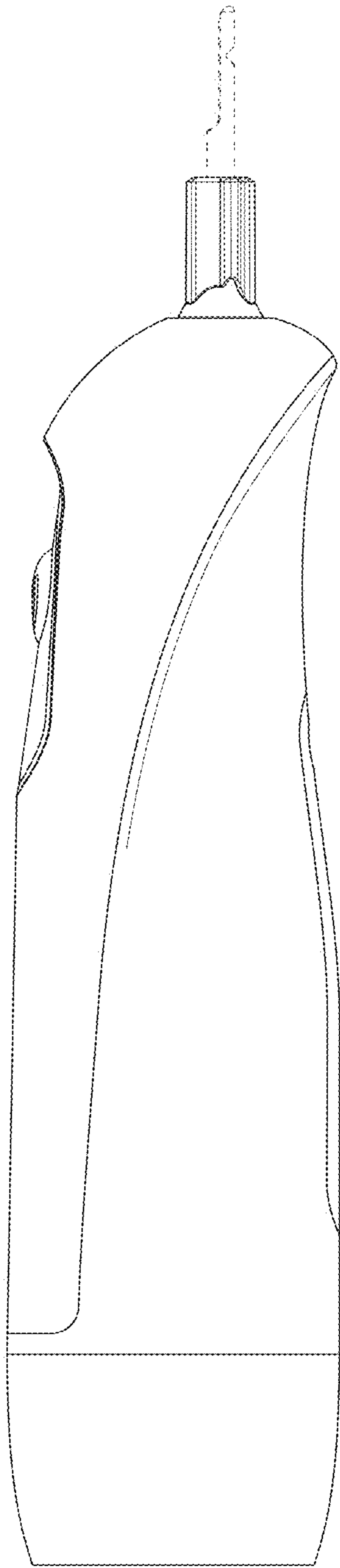


FIG. 12

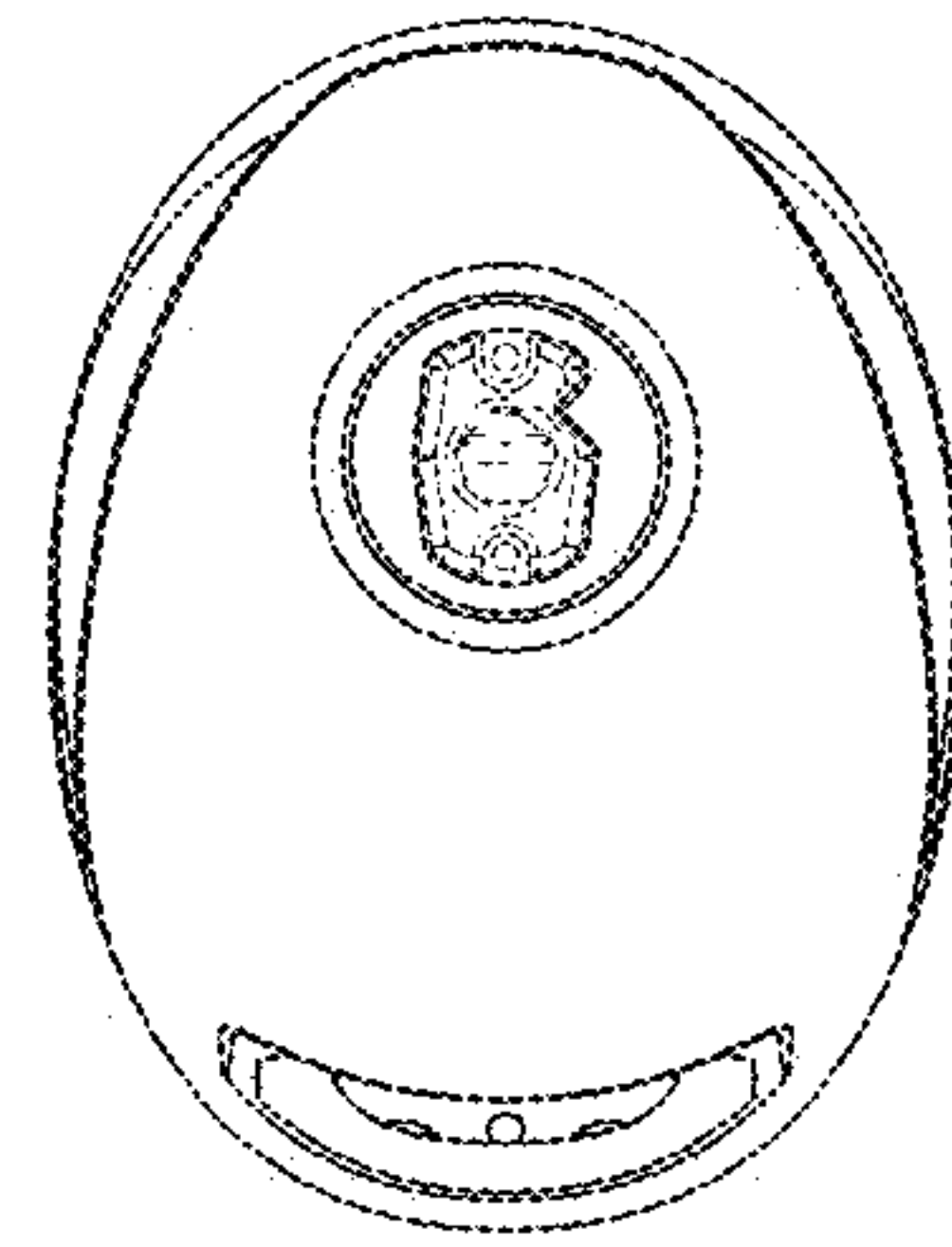


FIG. 13

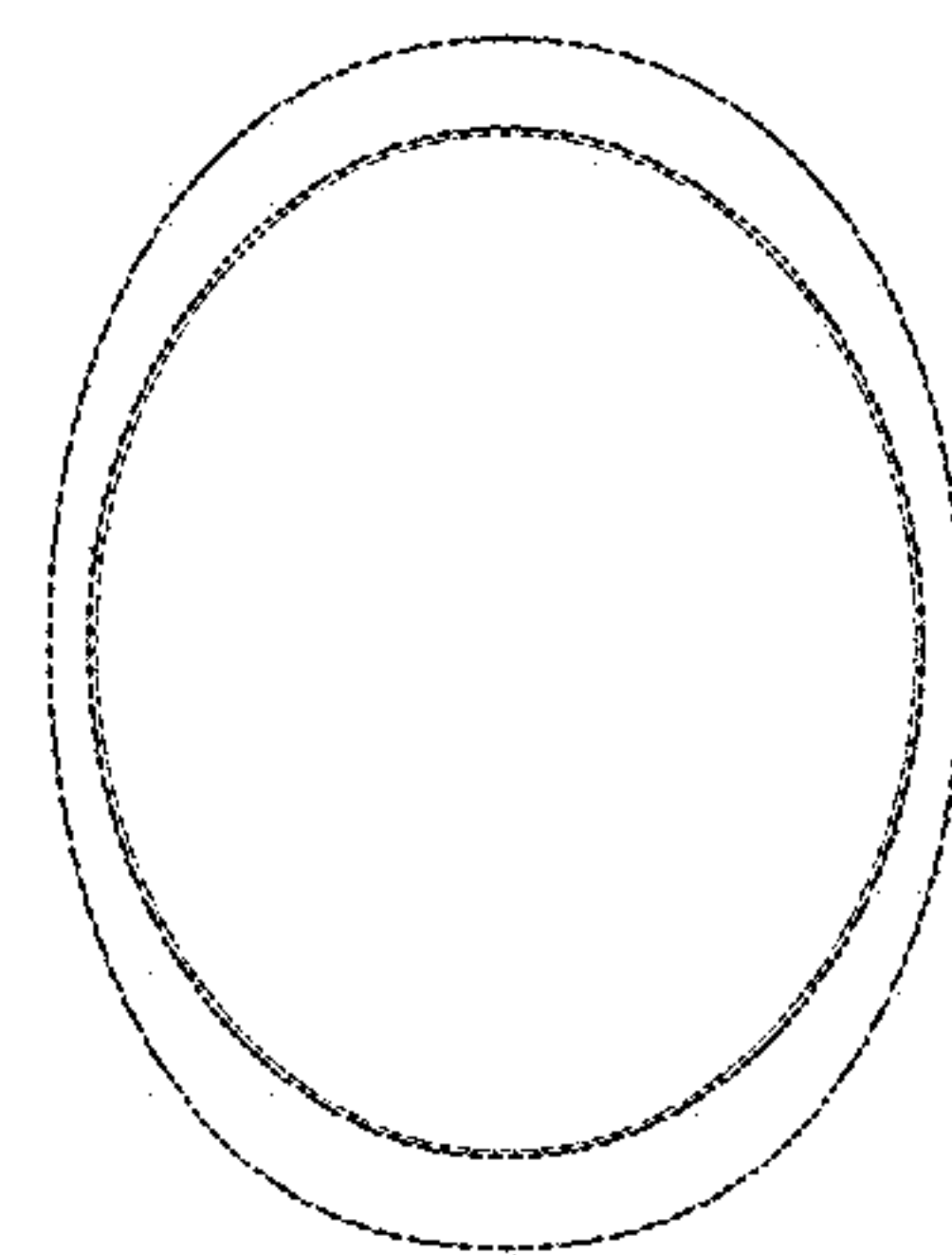


FIG. 14