



US00D972301S

(12) **United States Design Patent** (10) **Patent No.:** **US D972,301 S**  
**Zhong** (45) **Date of Patent:** **\*\* Dec. 13, 2022**

(54) **LIDS ORGANIZER**  
(71) Applicant: **XIAMEN LEGENDA ELECTRONIC TECHNOLOGY COMPANY LIMITED**, Xiamen (CN)

(72) Inventor: **Wenda Zhong**, Xiamen (CN)

(73) Assignee: **XIAMEN LEGENDA ELECTRONIC TECHNOLOGY COMPANY LIMITED**, Xiamen (CN)

(\*\*) Term: **15 Years**

(21) Appl. No.: **29/756,492**

(22) Filed: **Oct. 29, 2020**

(51) **LOC (13) Cl.** ..... **03-01**

(52) **U.S. Cl.**  
USPC ..... **D3/310**

(58) **Field of Classification Search**  
USPC .... D3/213, 273, 274, 294, 307-315; D8/71;  
D19/75; D27/172, 183, 186; D28/9, 73,  
D28/76, 83, 91

CPC ..... A47G 21/14; A47J 47/16; A47J 47/00;  
B65D 1/00; B65D 1/22; B65D 1/24;  
B65D 1/36; B65D 5/46072; B65D  
71/0003; B65D 71/24; B65D 81/3813

See application file for complete search history.

(56) **References Cited**

**U.S. PATENT DOCUMENTS**

D184,593 S *	3/1959	Anderson et al.	.....	D3/307
D373,953 S *	9/1996	Gale	.....	D7/629
D390,007 S *	2/1998	Ahern, Jr.	.....	D3/323
D391,763 S *	3/1998	Wolff	.....	D3/323
D394,554 S *	5/1998	Mann	.....	D3/323
D414,038 S *	9/1999	van Rhielen	.....	D3/276
D491,358 S *	6/2004	Hofman	.....	D3/273
D511,247 S *	11/2005	Tsuchiya	.....	D3/273
D646,057 S *	10/2011	Loaiza	.....	D3/273
D658,374 S *	5/2012	Anderson	.....	D3/273

D701,044 S *	3/2014	Kishimoto	.....	D3/273
D790,337 S *	6/2017	Sofy	.....	D3/232
2014/0332479 A1 *	11/2014	Audet	.....	A47J 47/20 211/41.3

**FOREIGN PATENT DOCUMENTS**

CN 306983146 \* 12/2021

**OTHER PUBLICATIONS**

“Amazon.com: EVERIE Food Container Lid Organizer Compatible with 12" Deep Cabinets, GS01 (White)”. [Date First Available Jun. 17, 2020]. [Retrieved from Internet on Jun. 3, 2022], <https://www.amazon.com/EVERIE-Container-Organizer-Compatible-Cabinets/dp/B08BCHN8WX?th=1> (Year: 2020).\*

\* cited by examiner

*Primary Examiner* — Mary Shannon Malley  
*Assistant Examiner* — Christopher John Suarez La Rosa  
(74) *Attorney, Agent, or Firm* — Bayramoglu Law Offices LLC

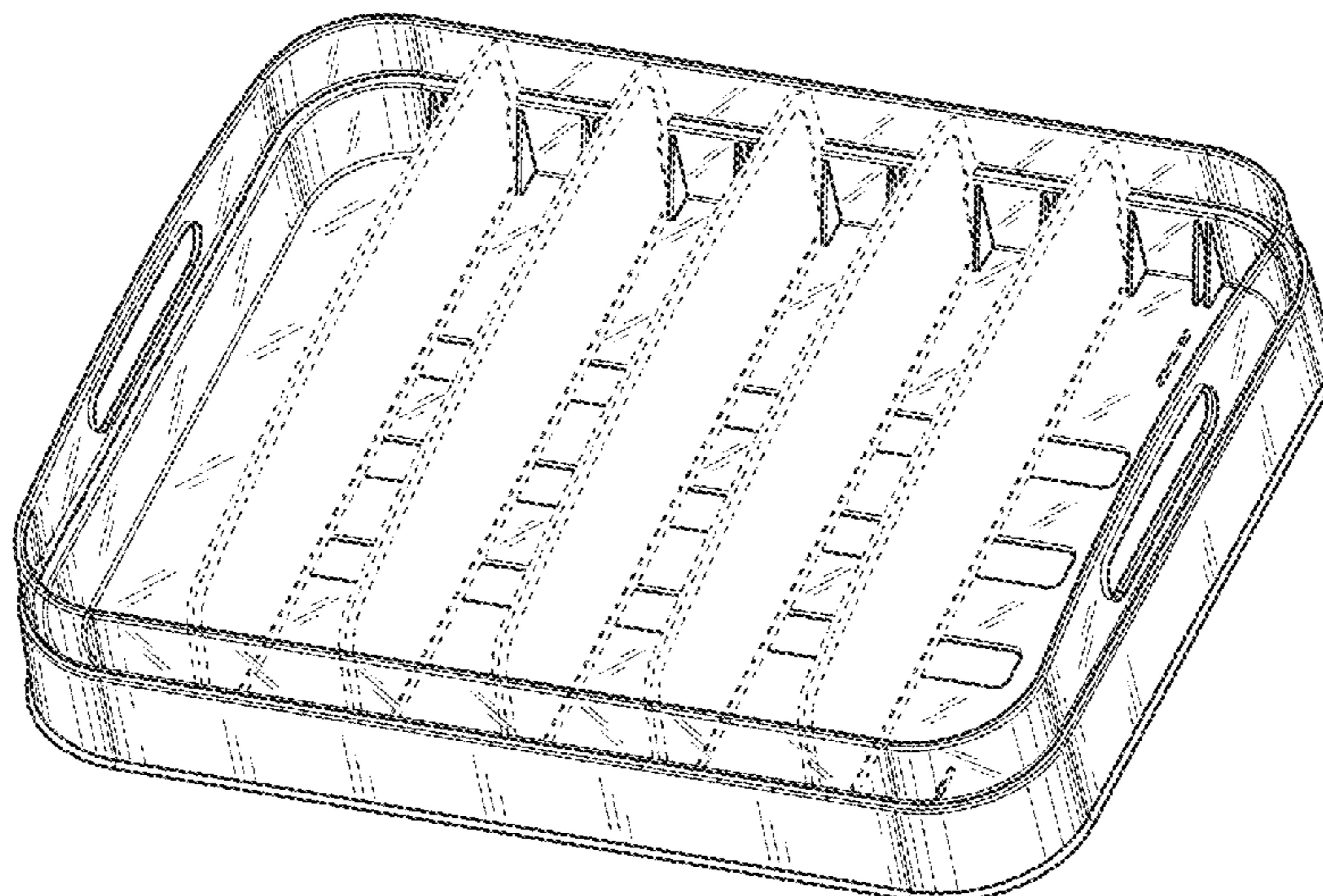
(57) **CLAIM**

The ornamental design for a lids organizer, as shown and described.

**DESCRIPTION**

FIG. 1 is a top perspective view of a lids organizer showing my new design;  
FIG. 2 is a top view thereof;  
FIG. 3 is a bottom view thereof;  
FIG. 4 is a left side view thereof;  
FIG. 5 is a front view thereof;  
FIG. 6 is a rear view thereof; and,  
FIG. 7 is a bottom perspective view thereof.  
A right side view is omitted since the right side view is identical to the left side view.  
The broken lines illustrate portions of the lids organizer that form no part of the claimed design.

**1 Claim, 7 Drawing Sheets**



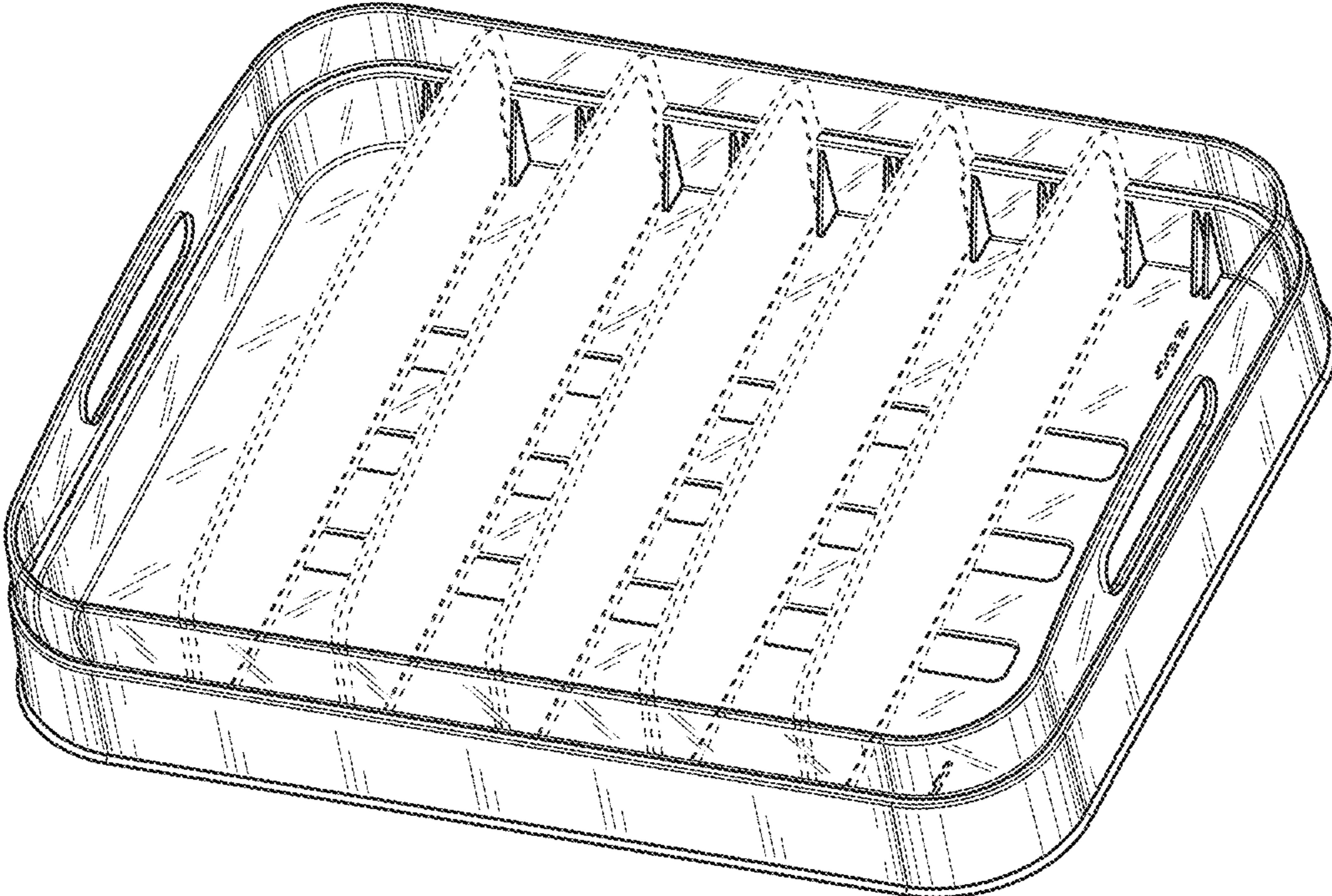


Fig. 1



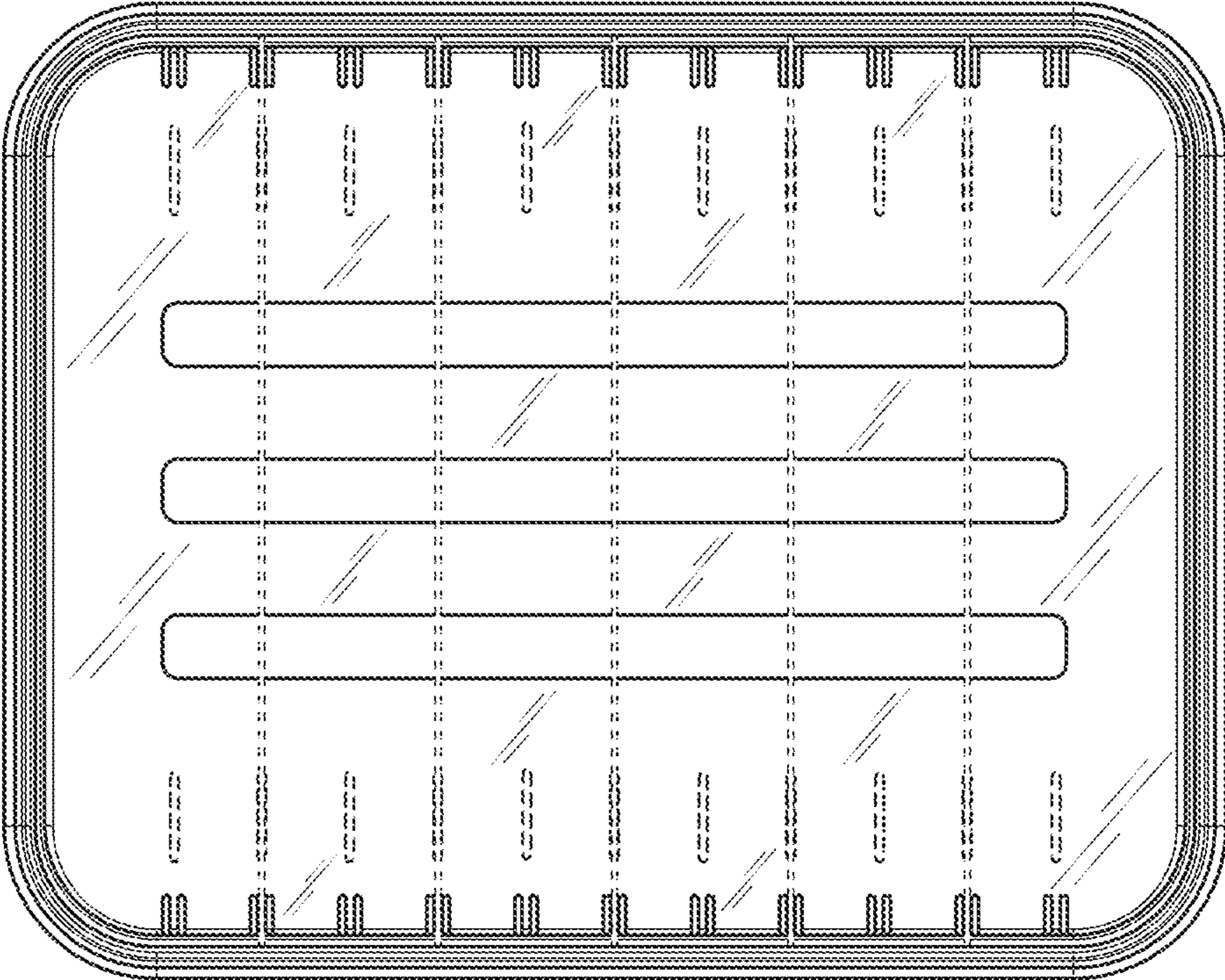


Fig. 2

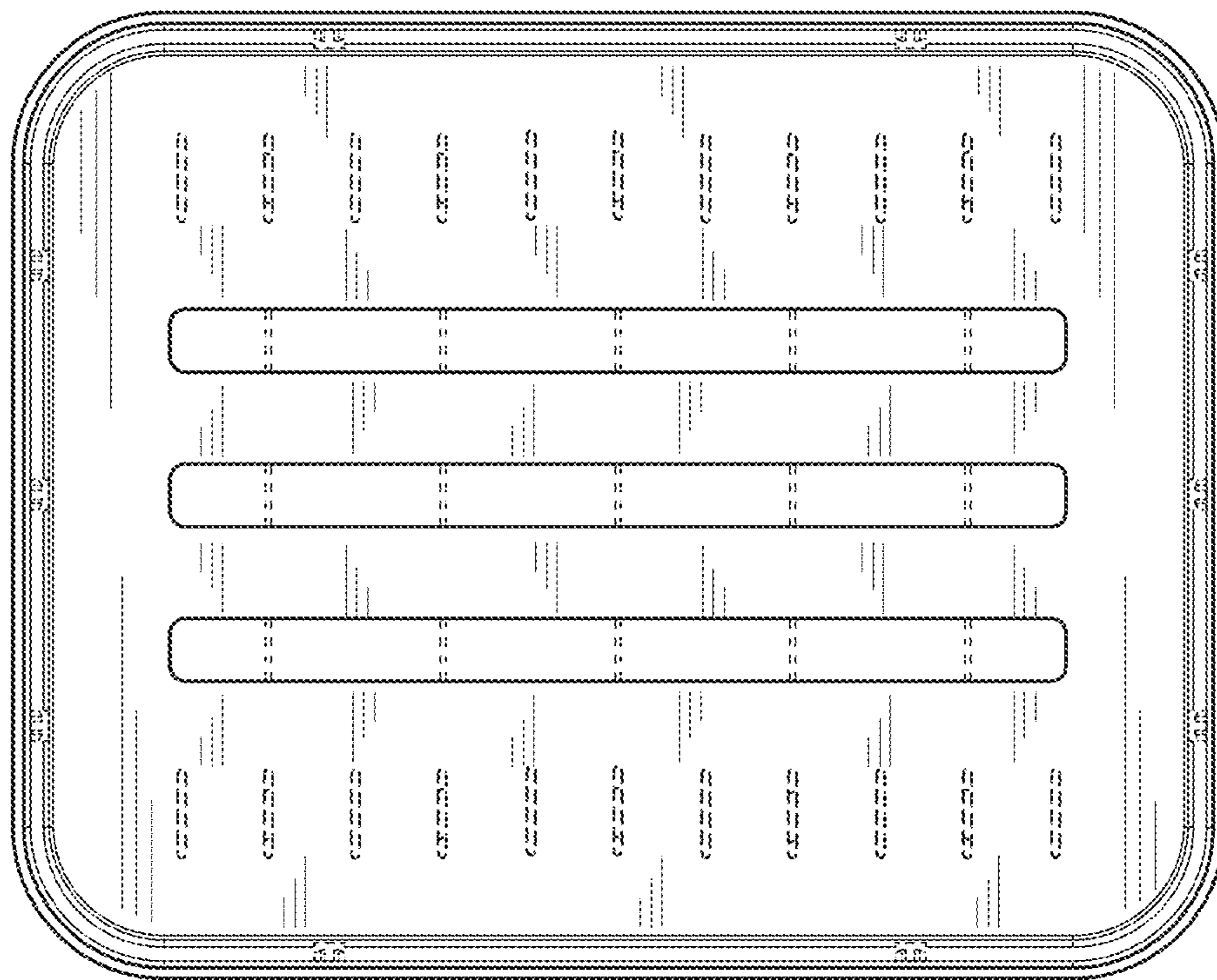


Fig. 3

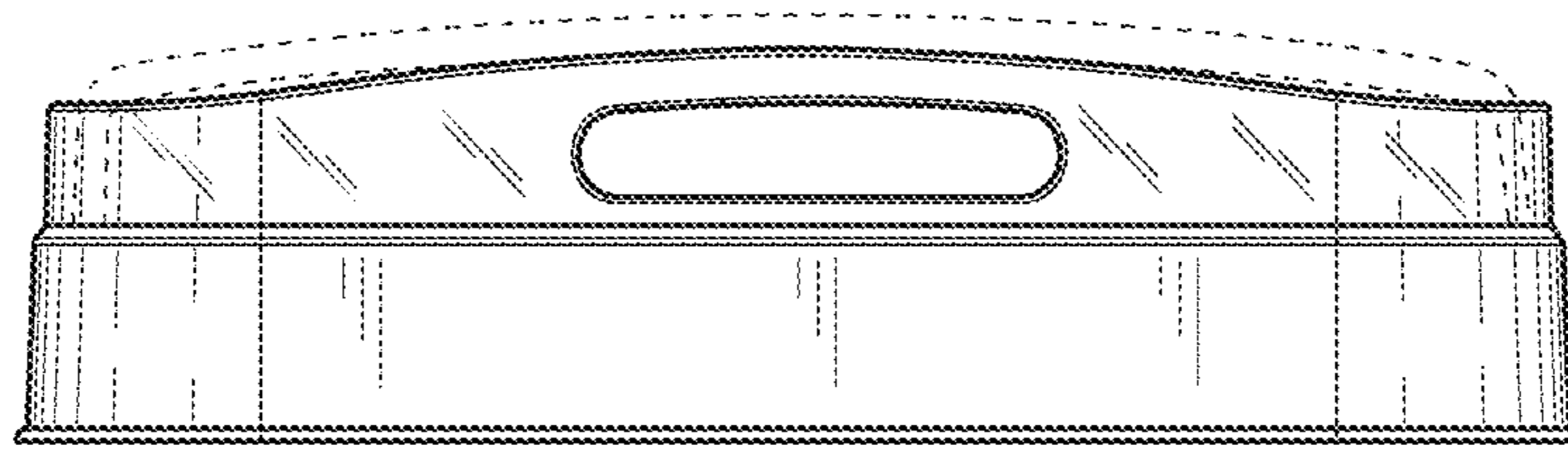


Fig. 4

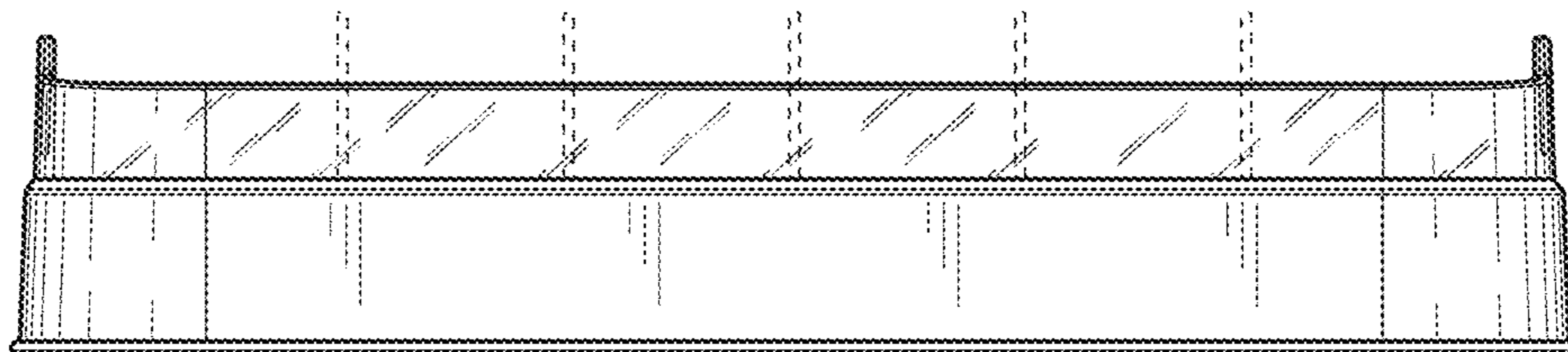


Fig. 5

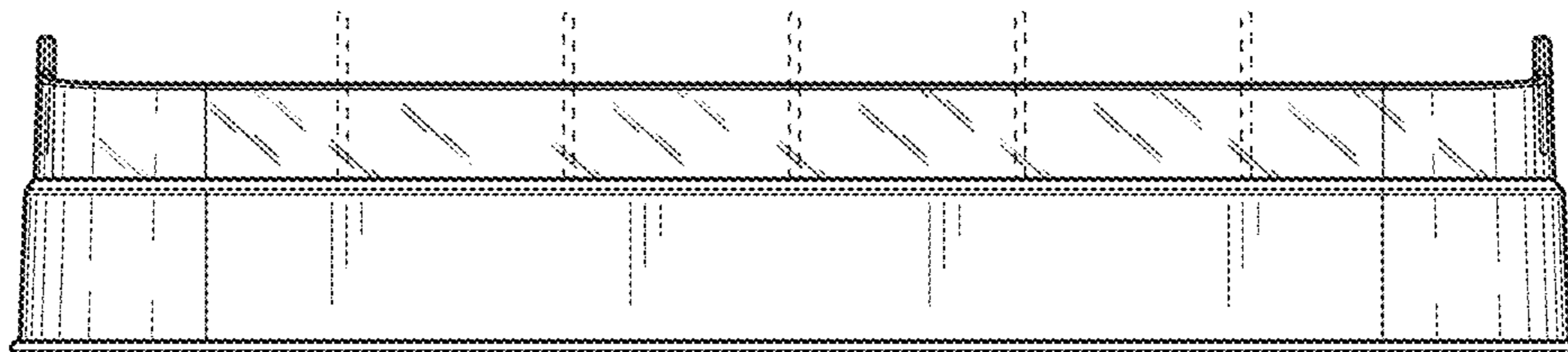


Fig. 6

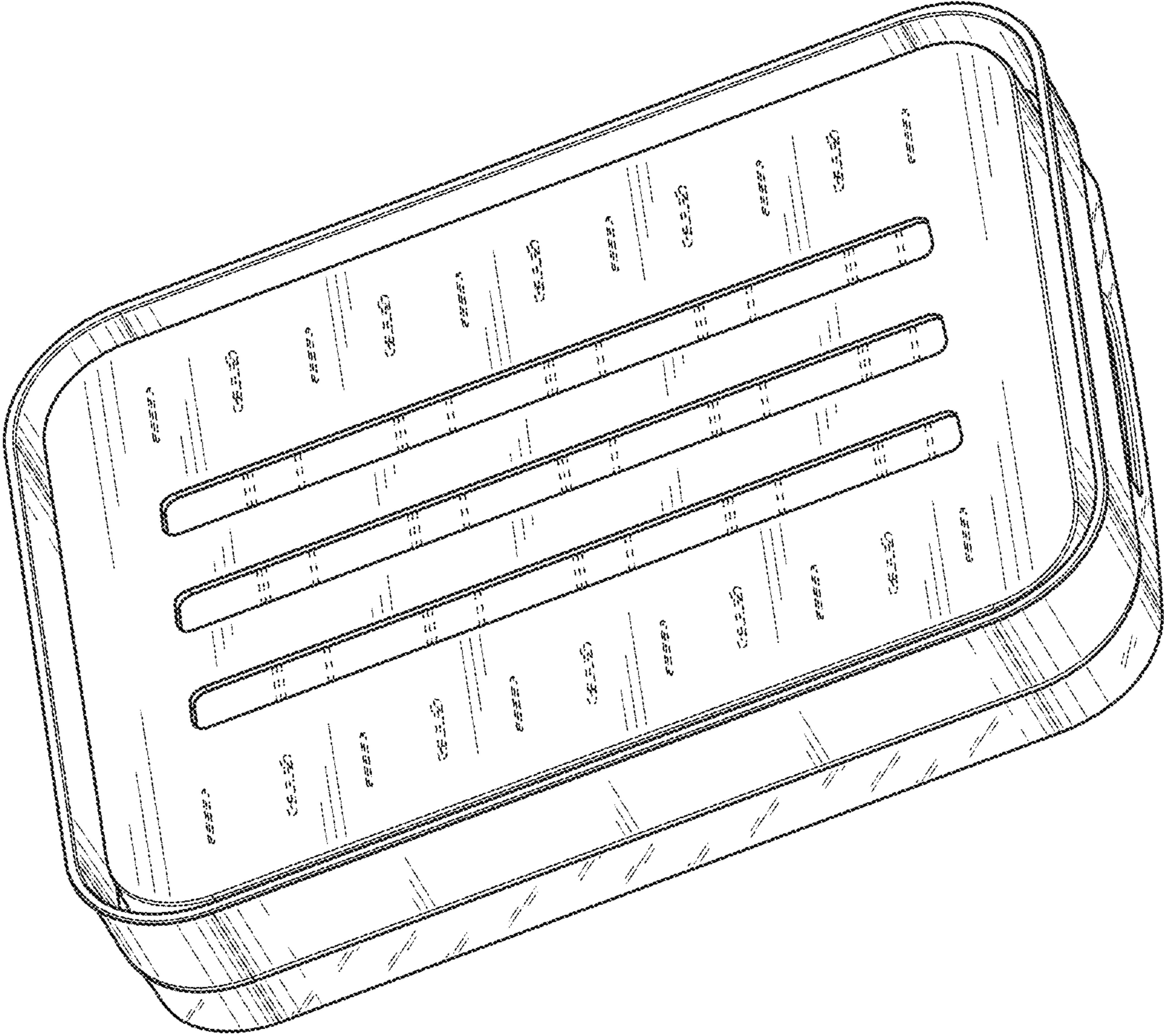


Fig. 7